



US00D834451S

(12) **United States Design Patent** (10) **Patent No.:** **US D834,451 S**
Anton (45) **Date of Patent:** **** Nov. 27, 2018**

(54) **VEHICLE, TOY, AND/OR REPLICAS THEREOF**
(71) Applicant: **Bayerische Motoren Werke Aktiengesellschaft, Munich (DE)**
(72) Inventor: **Moritz Anton, Munich (DE)**
(73) Assignee: **Bayerische Motoren Werke Aktiengesellschaft, Munich (DE)**

D626,455 S * 11/2010 Syring D12/92
D633,571 S * 3/2011 Schneider D12/91
D664,896 S * 8/2012 Szews D12/91
D670,607 S * 11/2012 Buckingham D12/92
D738,786 S * 9/2015 Mueller-Stolz D12/91
D745,437 S * 12/2015 Goepfel D12/92
D759,542 S * 6/2016 Goepfel D12/91
D762,523 S * 8/2016 Schneider D12/91
D813,097 S * 3/2018 Szavits D12/91

(**) Term: **15 Years**

(21) Appl. No.: **29/629,142**

(22) Filed: **Dec. 12, 2017**

(30) **Foreign Application Priority Data**

Jun. 20, 2017 (DE) 40 2017 100 725

(51) **LOC (11) Cl.** **12-08**

(52) **U.S. Cl.**
USPC **D12/91**

(58) **Field of Classification Search**
USPC D12/86, 90-92; D21/424, 433, 434;
296/181.1-181.5, 183.1
CPC B62D 25/00; B62D 25/06; B62D 33/00;
B62D 35/00
See application file for complete search history.

(56) **References Cited**

U.S. PATENT DOCUMENTS

D490,019 S * 5/2004 Sakae D12/91
D504,087 S * 4/2005 Hakamata D12/91
D513,716 S * 1/2006 Acampora D12/91
D540,714 S * 4/2007 Mueller-Stolz D12/91
D598,810 S * 8/2009 Jang D12/91
D605,084 S * 12/2009 Szavits D12/91

FOREIGN PATENT DOCUMENTS

EM 002374272-0001 3/2014
EM 002449447-0001 5/2016

* cited by examiner

Primary Examiner — Melody N Brown

(74) *Attorney, Agent, or Firm* — Crowell & Moring LLP

(57) **CLAIM**

The ornamental design for a vehicle, toy, and/or replicas thereof, as shown and described.

DESCRIPTION

This application contains subject matter related to the following co-pending U.S. design patent application: Application Ser. No. 29/624,209, filed Oct. 31, 2017 and entitled "Vehicle, Toy, and/or Replicas Thereof." FIG. 1 is a left, front perspective view of a vehicle, toy, and/or replicas thereof according to the design; FIG. 2 is a left side view thereof; FIG. 3 is a right side view thereof; FIG. 4 is a right, rear perspective view thereof; FIG. 5 is a front view thereof; FIG. 6 is a rear view thereof; and, FIG. 7 is a top view thereof.

1 Claim, 7 Drawing Sheets

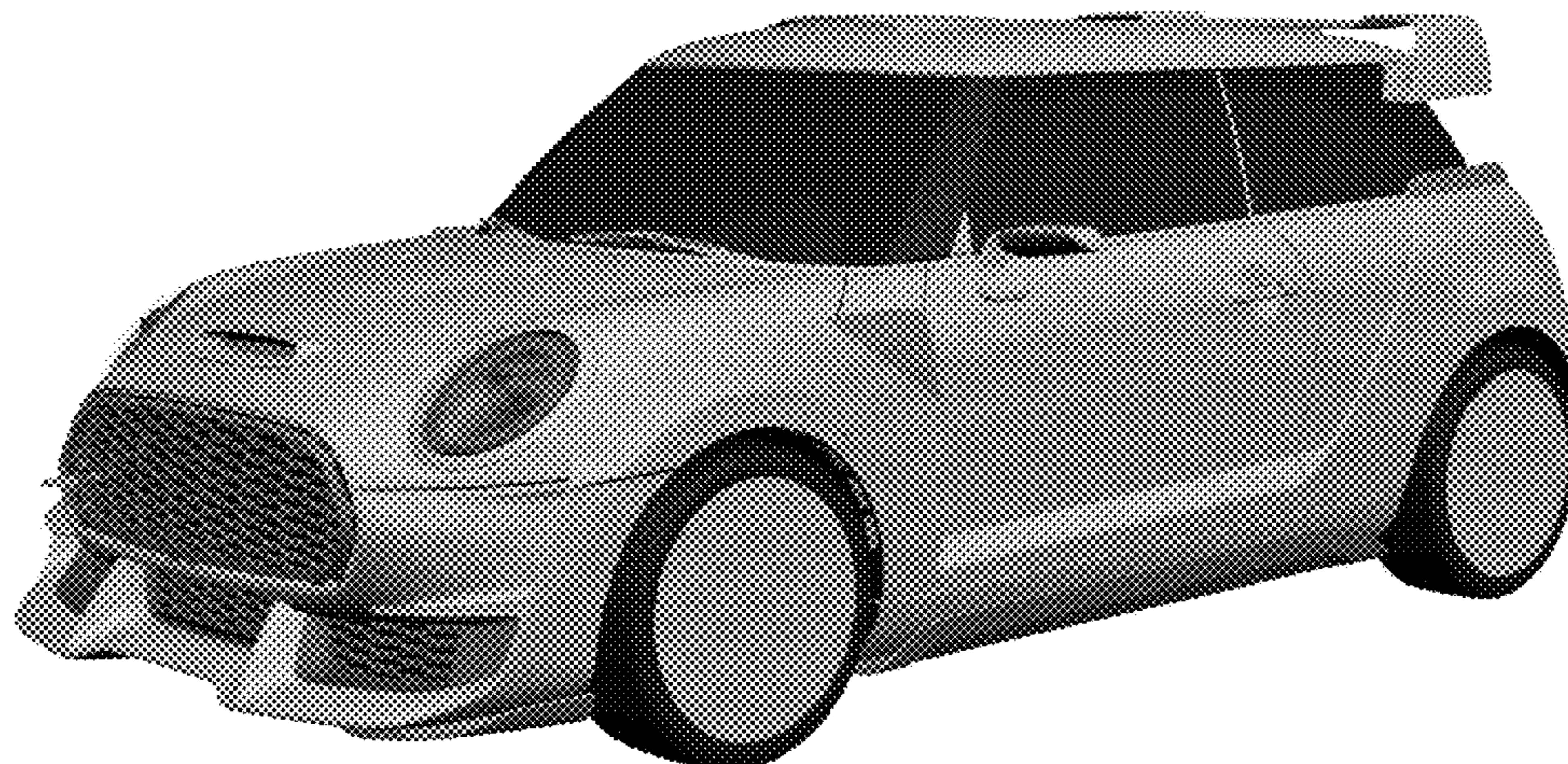




Fig. 1



Fig. 2

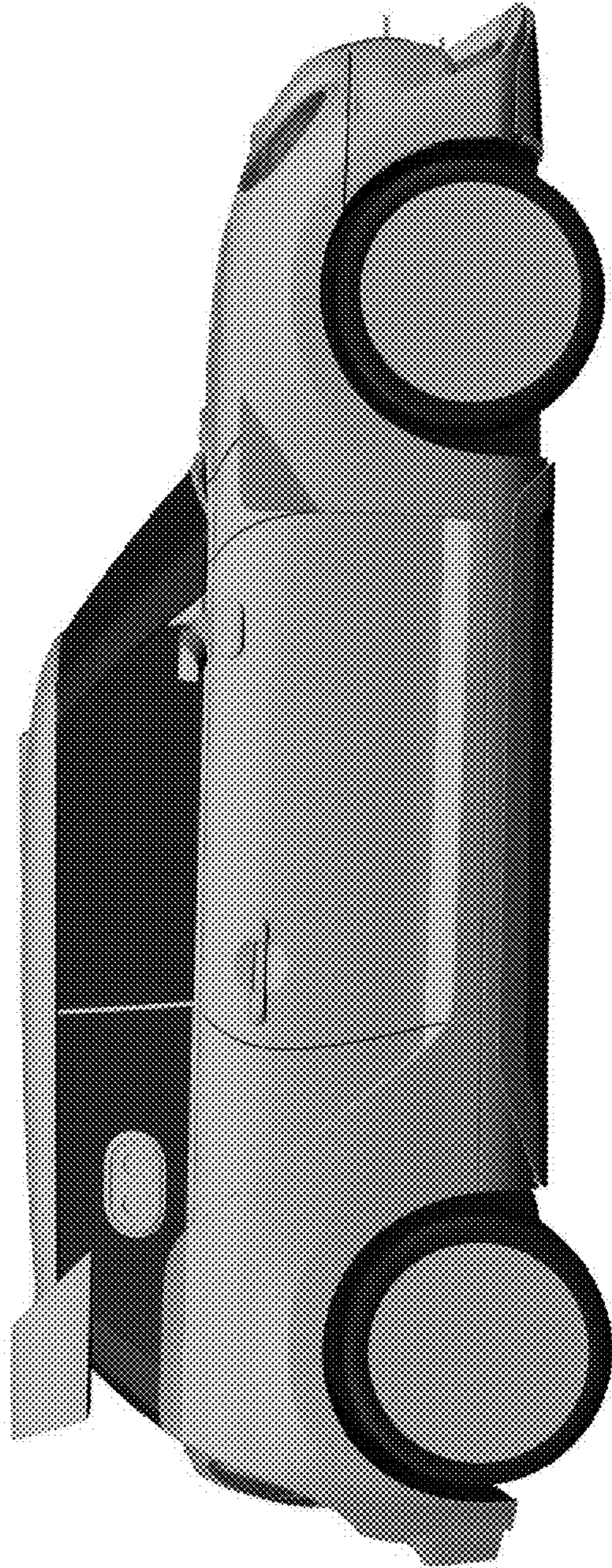


Fig. 3



Fig. 4



Fig. 5

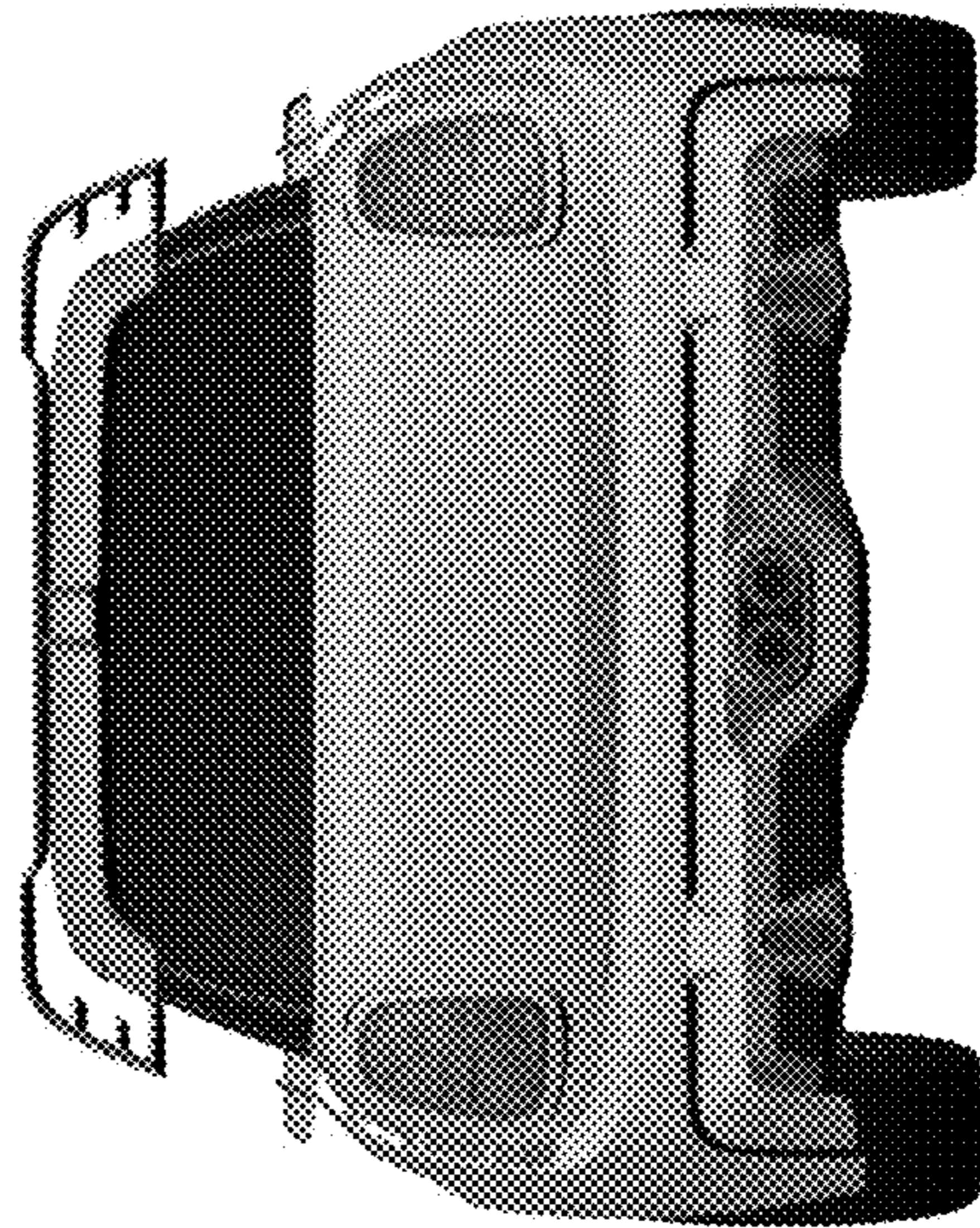


Fig. 6



Fig. 7