



US00D834444S

(12) **United States Design Patent** (10) **Patent No.:** **US D834,444 S**
Dousset (45) **Date of Patent:** **** Nov. 27, 2018**

- (54) **ARTICLE OF JEWELRY**
- (71) Applicants: **FIRESTAR DIAMOND, INC.**, New York, NY (US); **LUXURY V, LLC**, West Hollywood, CA (US)
- (72) Inventor: **Jean Dousset**, West Hollywood, CA (US)
- (73) Assignees: **LUXURY V, LLC**, West Hollywood, CA (US); **FIRESTAR DIAMOND, INC.**, New York, NY (US)

- D543,479 S * 5/2007 Schumacher D11/91
 - D553,543 S * 10/2007 Kothari D11/92
 - 7,461,452 B1 * 12/2008 Kothari A44C 17/046
D11/92
 - D590,291 S 4/2009 Brescia
 - D595,178 S 6/2009 Colombani
 - D601,913 S 10/2009 Cappellieri
 - D602,799 S 10/2009 Colombani
 - D618,132 S * 6/2010 Wong D11/91
 - D619,032 S 7/2010 Papadimitriou
 - D622,626 S 8/2010 Ventura
- (Continued)

(**) Term: **15 Years**

(21) Appl. No.: **29/600,259**

(22) Filed: **Apr. 11, 2017**

(51) **LOC (11) Cl.** **11-01**

(52) **U.S. Cl.**
USPC **D11/91**

(58) **Field of Classification Search**
USPC D11/1-43, 47, 77-80, 85, 86, 89-92
CPC A44C 1/00; A44C 5/00; A44C 5/0007;
A44C 5/0015; A44C 5/0023; A44C
5/003; A44C 5/0084; A44C 5/0092; A44C
7/00; A44C 7/001; A44C 7/002; A44C
7/003; A44C 7/004; A44C 7/005; A44C
9/00; A44C 9/0038; A44C 9/0046; A44C
9/0053; A44C 9/0061; A44C 9/0069;
A44C 9/0084; A44C 9/02; A44C 13/00
See application file for complete search history.

(56) **References Cited**

U.S. PATENT DOCUMENTS

- D20,736 S 5/1891 Beach
- D20,739 S 5/1891 Beach
- D164,165 S 8/1951 Grant
- D243,599 S * 3/1977 Gilmartin D11/27
- D446,161 S 8/2001 Gordon
- D465,173 S 11/2002 Gordon
- D491,832 S 6/2004 Gordon

OTHER PUBLICATIONS

U.S. Appl. No. 29/476,995, filed Dec. 18, 2013, Sandberg.
(Continued)

Primary Examiner — Cynthia Ramirez
Assistant Examiner — L. Martinez-Rivera
(74) *Attorney, Agent, or Firm* — Andrew F. Young, Esq.;
Lackebach Siegel, LLP

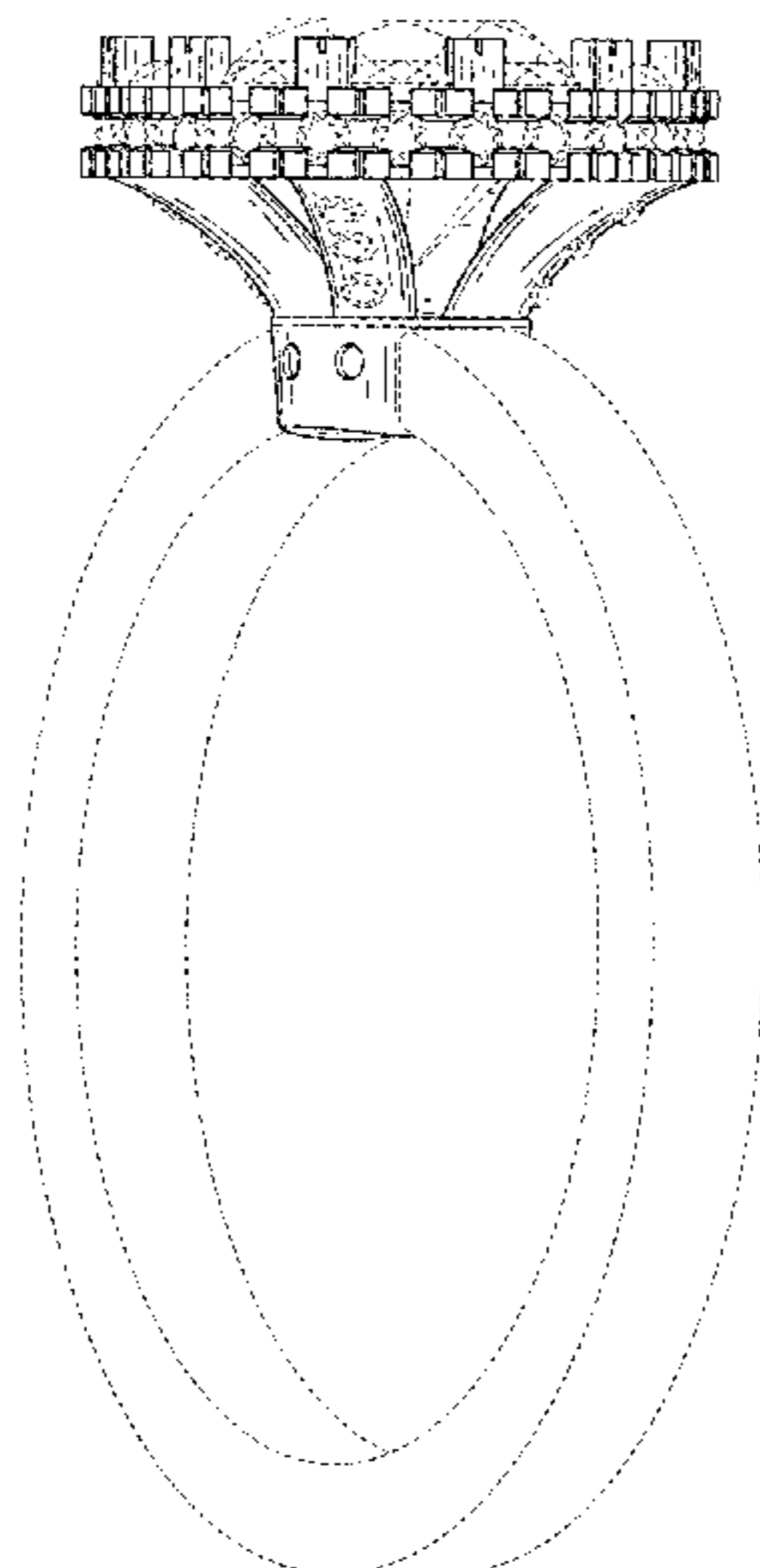
(57) **CLAIM**

The ornamental design for a article of jewelry, as shown and described.

DESCRIPTION

FIG. 1 is a front side perspective view of the article of jewelry.
FIG. 2 is a front elevation view thereof, the rear elevation view being a mirror image thereof.
FIG. 3 is a left side elevation view thereof, the right side elevation view being a mirror image thereof.
FIG. 4 is a top plan view thereof.
FIG. 5 is a bottom plan view thereof.
FIG. 6 is a top perspective view thereof; and,
FIG. 7 is a bottom perspective view thereof.
The broken lines in the drawings illustrate portions of the article of jewelry that form no part of the claimed design.

1 Claim, 6 Drawing Sheets



(56)

References Cited

U.S. PATENT DOCUMENTS

D625,217 S 10/2010 Hardy
 D625,218 S 10/2010 Hardy
 D628,112 S 11/2010 Papadimitriou
 D630,963 S 1/2011 Papadimitriou
 D630,965 S 1/2011 Ventura
 D632,207 S * 2/2011 Gurfinkel D11/91
 D635,477 S 4/2011 Ventura
 D635,478 S 4/2011 Ventura
 D637,512 S 5/2011 Papadimitriou
 D639,694 S 6/2011 Papadimitriou
 D641,651 S * 7/2011 Kothari D11/40
 D642,087 S * 7/2011 Kothari D11/40
 D643,327 S * 8/2011 Kothari D11/40
 D648,650 S * 11/2011 Roehl D11/91
 D650,307 S * 12/2011 Roehl D11/91
 D650,308 S * 12/2011 Roehl D11/91
 D654,394 S * 2/2012 Kothari D11/40
 D666,521 S * 9/2012 Yakubovich D11/40
 D680,026 S * 4/2013 Wong D11/91
 D680,896 S * 4/2013 Wong D11/91
 D680,897 S * 4/2013 Li D11/91
 D680,898 S * 4/2013 Dholakiya D11/40
 D684,886 S * 6/2013 Wein D11/91

D684,887 S * 6/2013 Wein D11/91
 D697,451 S * 1/2014 Dholakiya D11/91
 D697,831 S * 1/2014 Dholakiya D11/91
 D699,146 S * 2/2014 Dholakiya D11/91
 D717,688 S 11/2014 Akbari
 D718,173 S 11/2014 Sandberg
 D723,971 S 3/2015 Akbari
 D724,476 S 3/2015 Sandberg
 D738,777 S 9/2015 Modi
 D753,016 S * 4/2016 Yep D11/92
 D755,665 S * 5/2016 Krainz D11/91
 D776,560 S * 1/2017 Doshi D11/91
 D791,012 S * 7/2017 Krainz D11/34

OTHER PUBLICATIONS

U.S. Appl. No. 29/527,009, filed May 14, 2015, Modi.
 U.S. Appl. No. 29/526,976, filed Jun. 2, 2015, Modi.
 U.S. Appl. No. 29/527,113, filed May 15, 2015, Modi.
 U.S. Appl. No. 29/523,999, filed Apr. 15, 2015, Patel.
 U.S. Appl. No. 29/528,907, filed Jun. 2, 2015, Dhanani, et al.
 U.S. Appl. No. 62/161,151, filed May 13, 2015, Modi.
 U.S. Appl. No. 14/838,583, filed Aug. 28, 2015, Samanta.
 PCT/US2014/064909, Nov. 11, 2014, Scoggins.

* cited by examiner

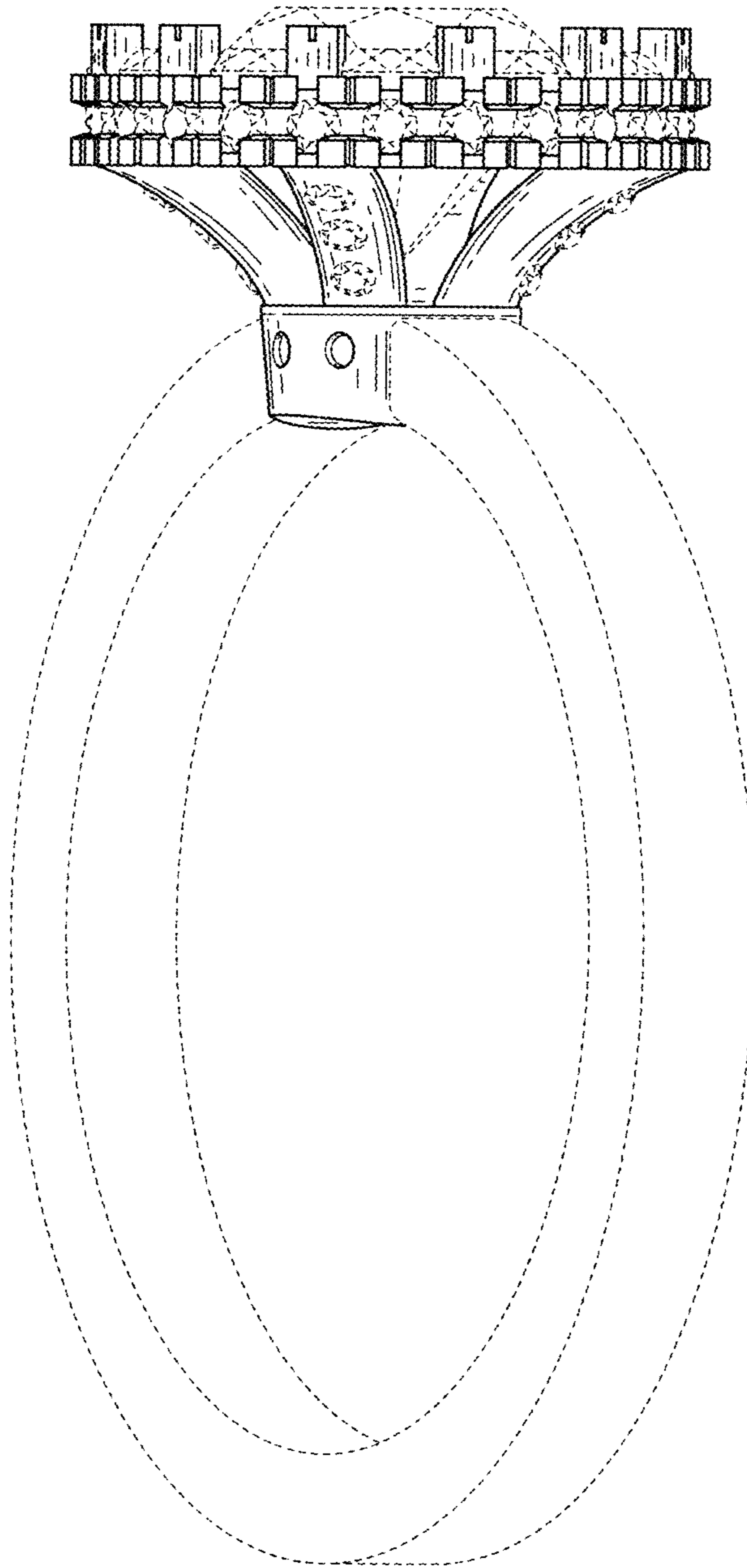


FIG. 1

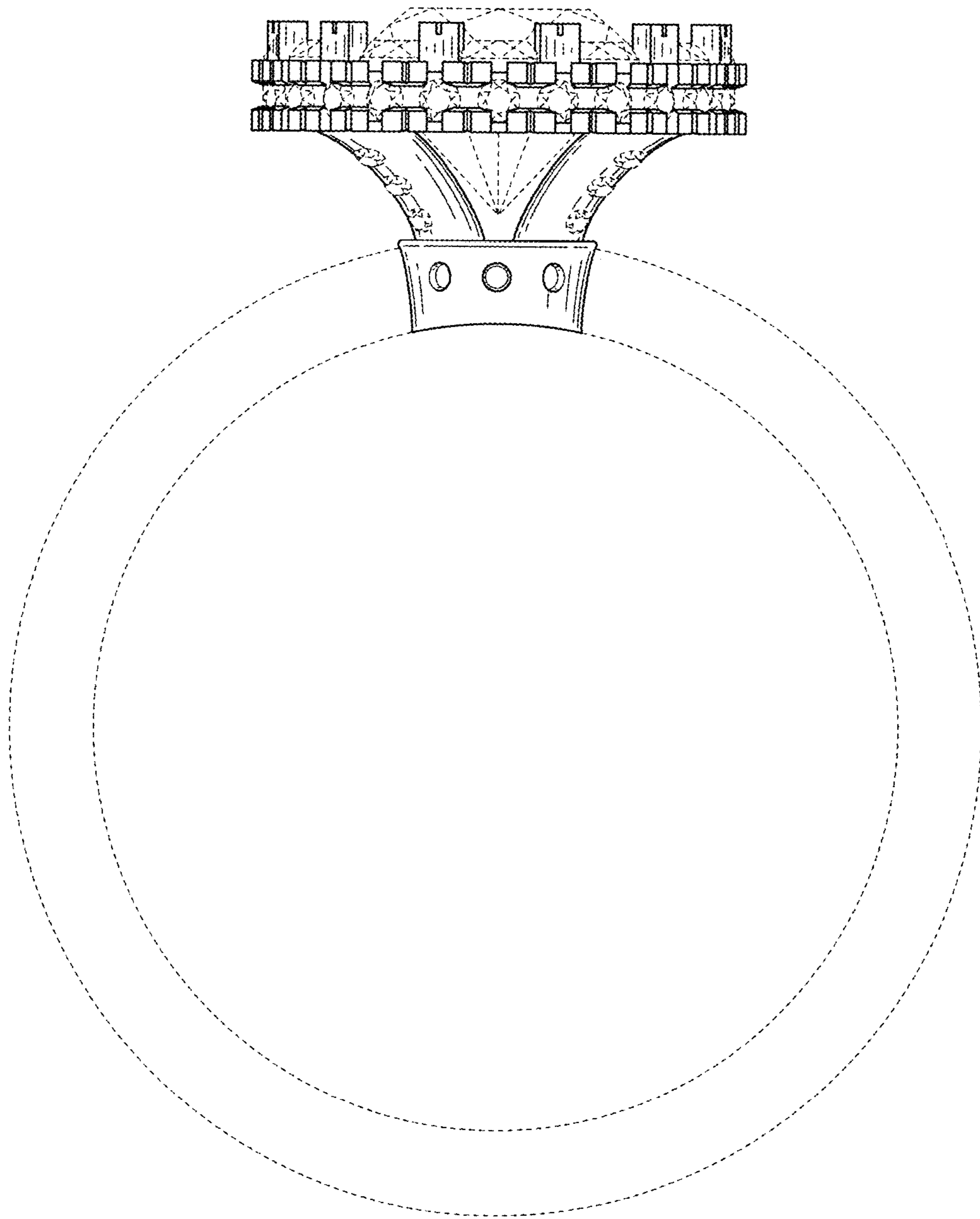


FIG. 2

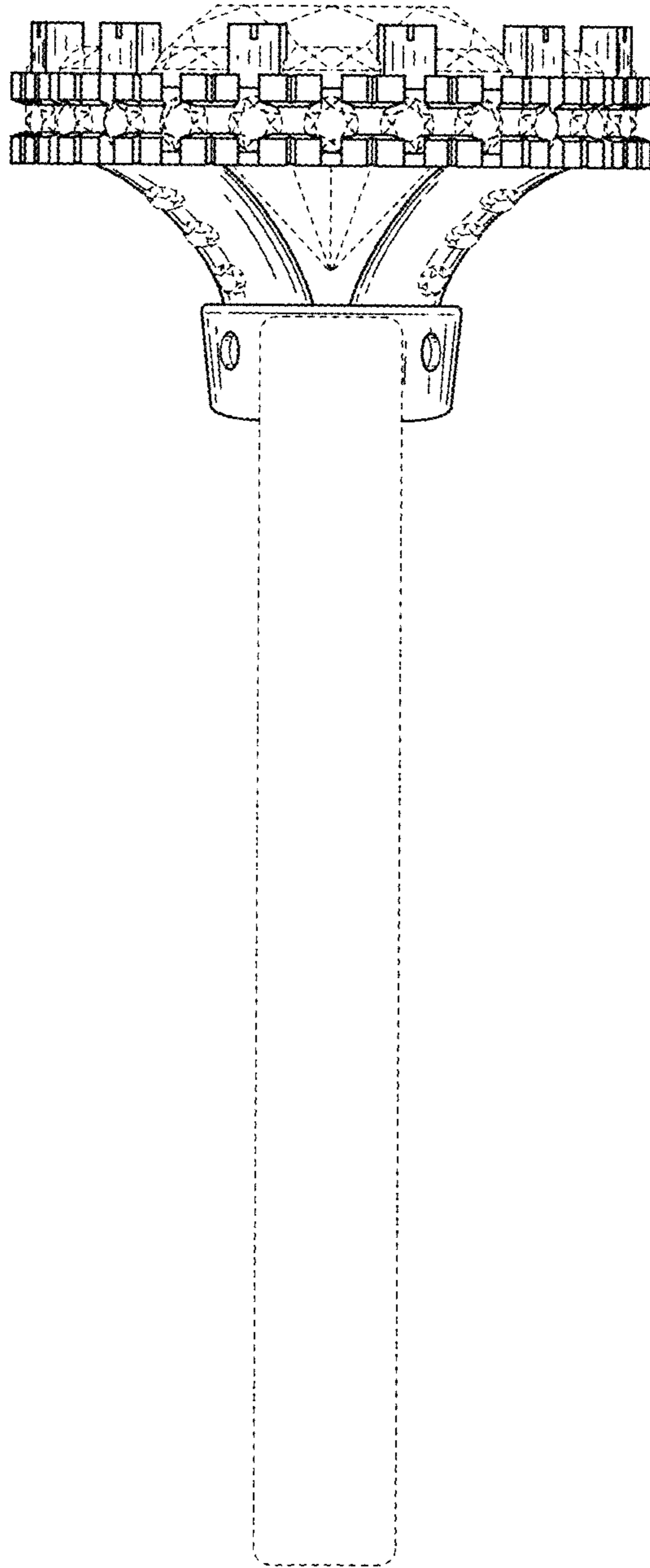


FIG. 3

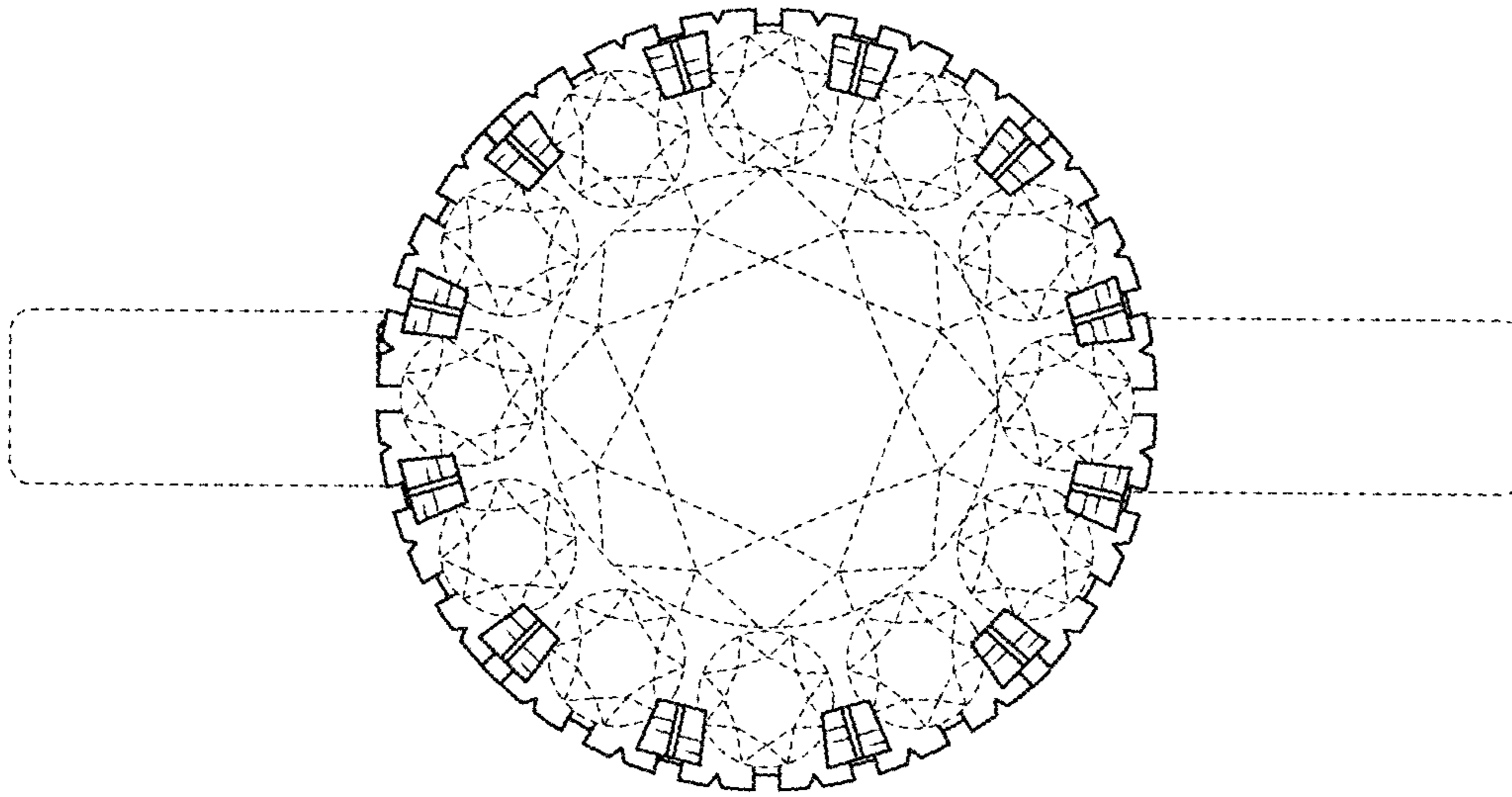


FIG. 4

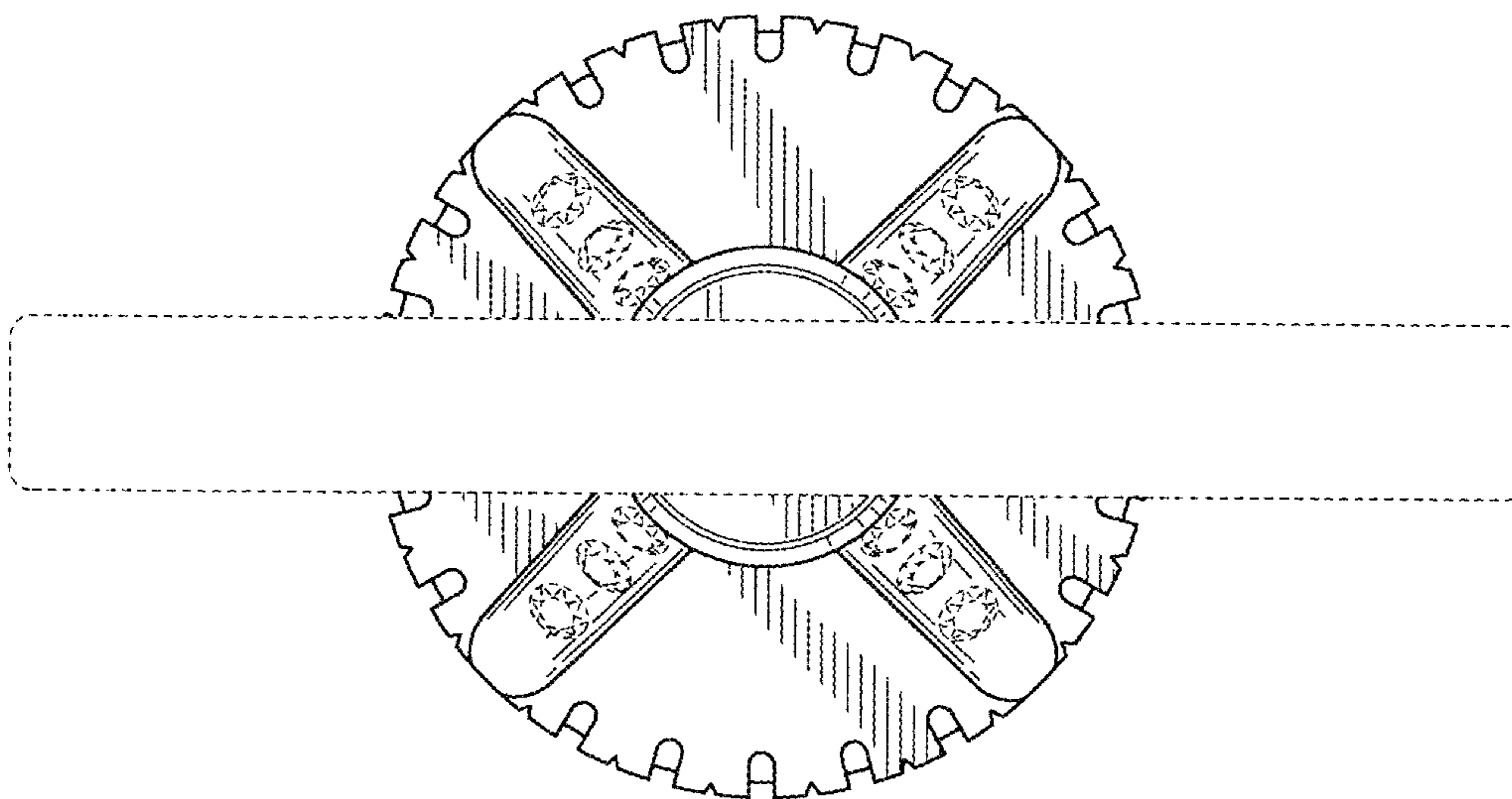


FIG. 5

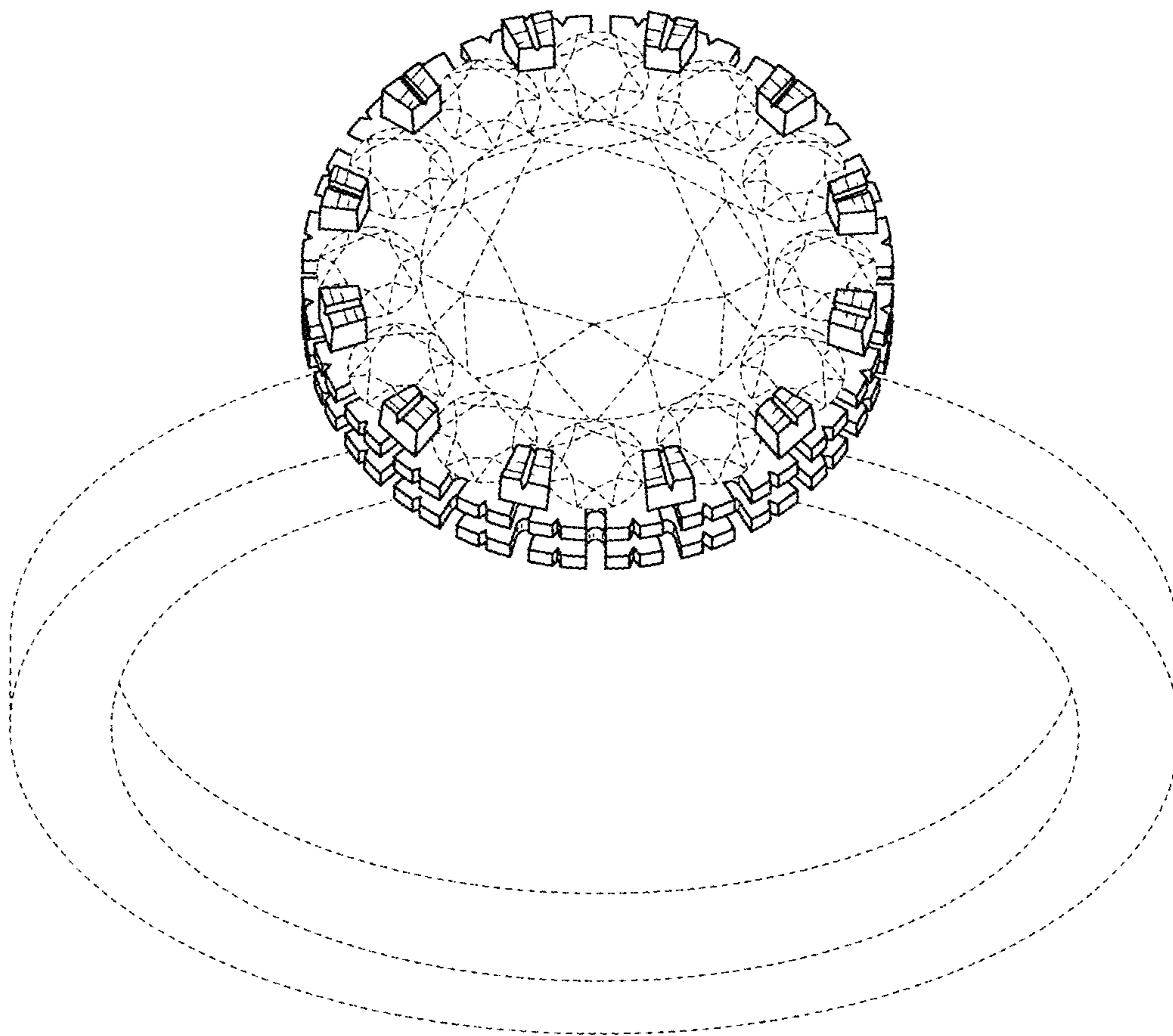


FIG. 6

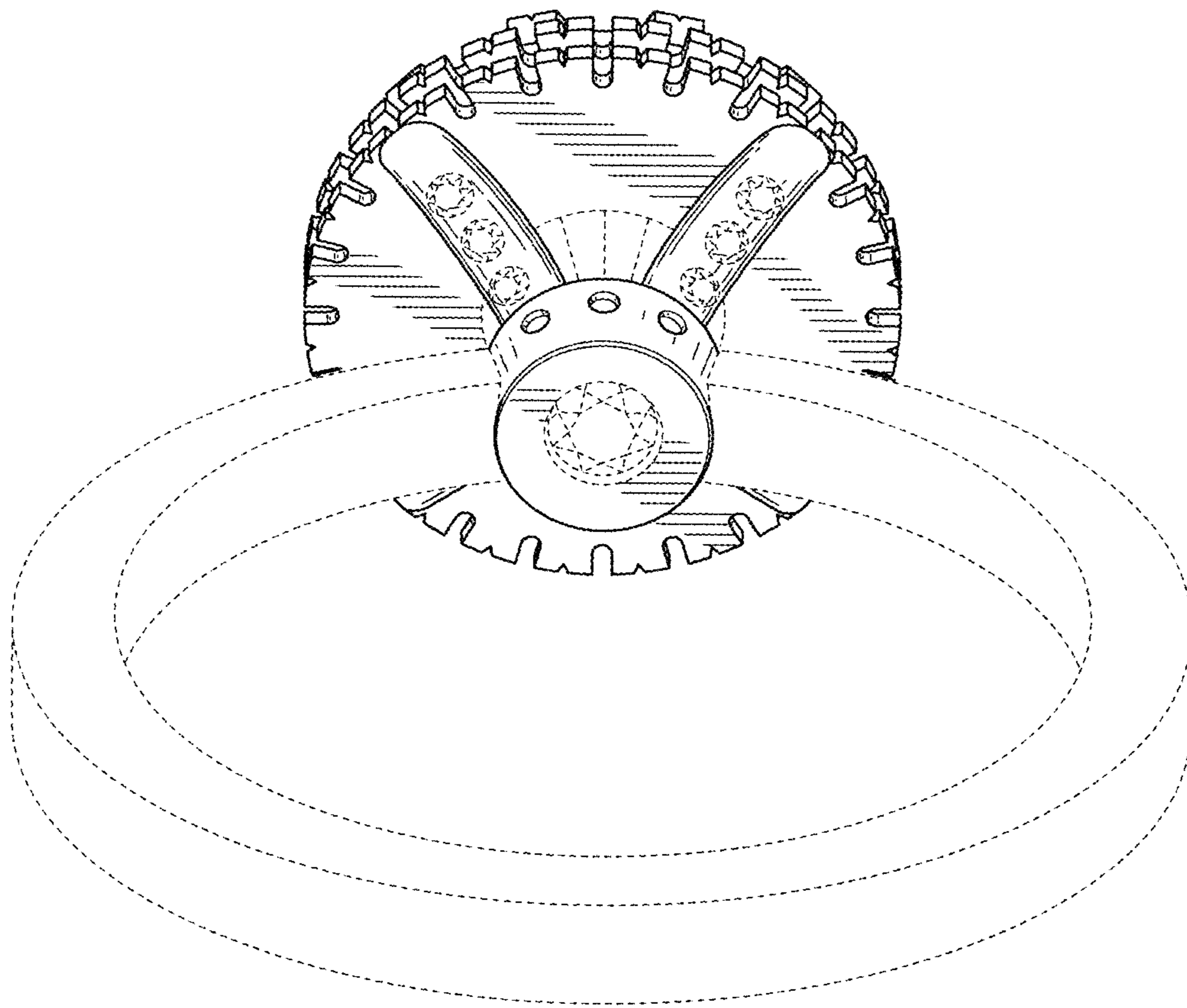


FIG. 7