



US00D834442S

(12) **United States Design Patent** (10) **Patent No.:** **US D834,442 S**  
**Amfitheatrof et al.** (45) **Date of Patent:** **\*\* Nov. 27, 2018**

(54) **JEWELRY ITEM**

- (71) Applicant: **Tiffany and Company**, New York, NY (US)
- (72) Inventors: **Francesca Amfitheatrof**, New York, NY (US); **Jessy Duval**, New York, NY (US); **Cary James**, Long Island City, NY (US); **Paul Harrison**, New York, NY (US); **Rachel Fine**, Secaucus, NJ (US); **Young Byun**, Bronx, NY (US)
- (73) Assignee: **Tiffany and Company**, New York, NY (US)

(\*\*) Term: **15 Years**

(21) Appl. No.: **29/552,368**

(22) Filed: **Jan. 21, 2016**

(51) **LOC (11) Cl.** ..... **11-01**

(52) **U.S. Cl.**  
USPC ..... **D11/5**

(58) **Field of Classification Search**  
USPC ..... D11/1-39; D28/39, 41-43  
CPC .. A44C 5/00; A44C 5/10; A44C 5/022; A44C 5/025; A44C 5/142; A44C 5/145; A44C 5/0007; A44C 5/0061; A44C 5/0069; A44C 5/0076; A44C 5/0084; A44C 5/0092; A44C 5/2071; A44C 5/2085; A44C 9/0007; A44C 9/0015; A44C 9/0038; A44C 9/0046; A44C 9/0053; A44C 9/0084; A44C

(Continued)

(56) **References Cited**

**U.S. PATENT DOCUMENTS**

- 249,861 A \* 11/1881 Unger ..... A44C 5/0092 63/11
- 788,221 A \* 4/1905 Richardson ..... A44C 5/0092 245/6

(Continued)

**OTHER PUBLICATIONS**

Tiffany T Collection (available online Sep. 11, 2014) Retrieved from the internet Dec. 16, 2016, retrieved from the internet URL: <http://www.thejewelleryeditor.com/jewellery/article/new-tiffany-t-jewellery-collection-rings-bracelets-cuffs/>.\*

(Continued)

*Primary Examiner* — Kevin K Rudzinski

*Assistant Examiner* — Richard Kearney

(74) *Attorney, Agent, or Firm* — Fross Zelnick Lehrman & Zissu, P.C.; Charles T. J. Weigell, Esq.

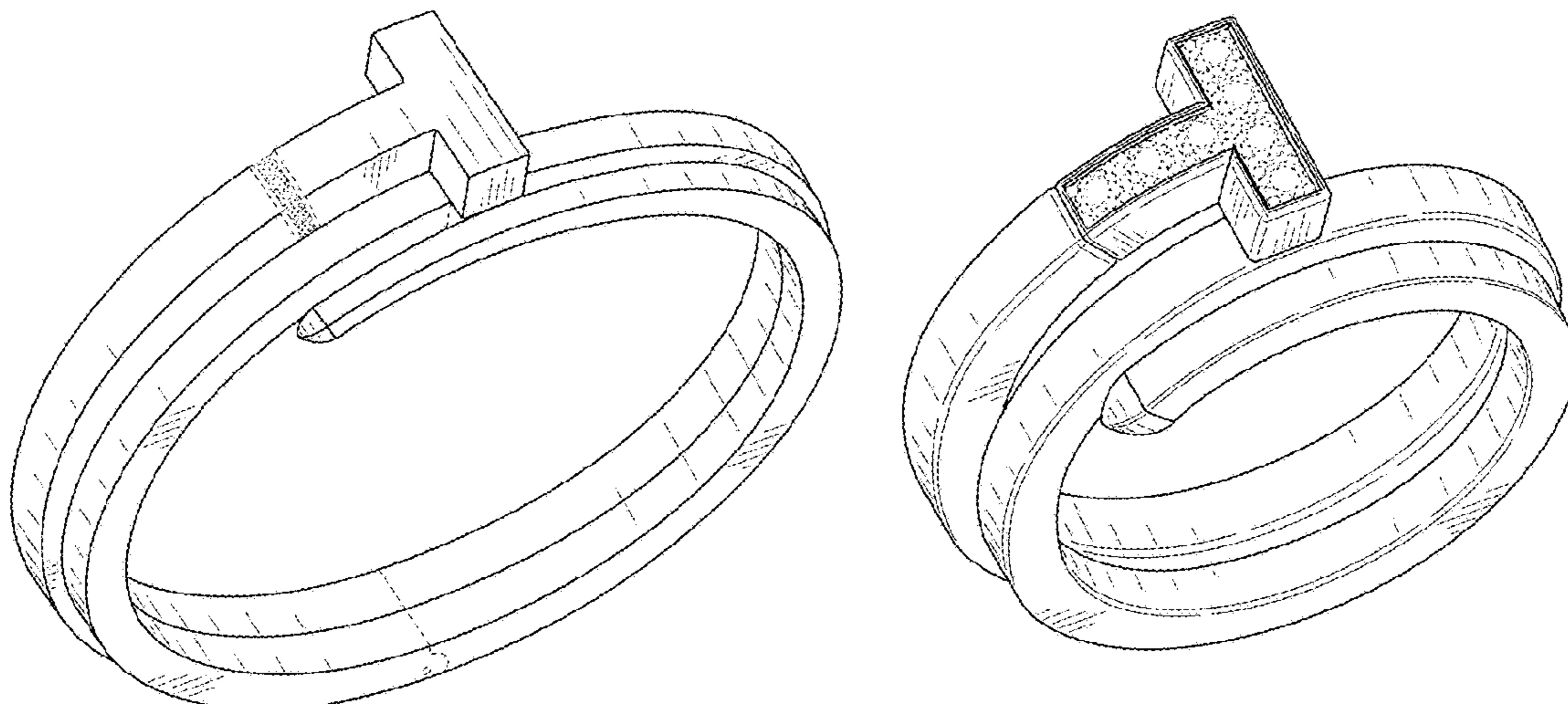
(57) **CLAIM**

The ornamental design for a jewelry item, as shown and described.

**DESCRIPTION**

FIG. 1 is a front perspective view of a first embodiment of a jewelry item showing my new design;  
 FIG. 2 is a front elevation view thereof;  
 FIG. 3 is a rear elevation view thereof;  
 FIG. 4 is a right side elevation view thereof;  
 FIG. 5 is a left side elevation view thereof;  
 FIG. 6 is a top plan view thereof;  
 FIG. 7 is a bottom plan view thereof;  
 FIG. 8 is a bottom perspective view thereof.  
 FIG. 9 is a front perspective view of a second embodiment of the jewelry item.  
 FIG. 10 is a front elevation view of the jewelry item as shown in FIG. 9;  
 FIG. 11 is a rear elevation view thereof;  
 FIG. 12 is a right side elevation view thereof;  
 FIG. 13 is a left side elevation view thereof;  
 FIG. 14 is a top plan view thereof;  
 FIG. 15 is a bottom plan view thereof; and,  
 FIG. 16 is a bottom perspective view thereof.  
 The broken lines shown in the drawings illustrate portions of the jewelry item that form no part of the claimed design.

**1 Claim, 8 Drawing Sheets**



(58) **Field of Classification Search**

CPC ..... 9/001; A44C 9/02; A44C 17/02; A44C  
17/001; A44C 17/003; A44C 17/005

See application file for complete search history.

(56) **References Cited**

U.S. PATENT DOCUMENTS

D39,035 S \* 1/1908 Mitchell ..... D11/5  
D39,036 S \* 1/1908 Mitchell ..... D11/5  
D150,653 S \* 8/1948 Pommier ..... D10/32  
D237,816 S \* 11/1975 Bulgari ..... D11/27  
D268,013 S \* 2/1983 Stimmler ..... D11/27  
D435,228 S \* 12/2000 Hegarty ..... D11/27  
D505,877 S \* 6/2005 Hardy ..... D11/26  
D537,749 S \* 3/2007 Doughty ..... D11/28  
D721,858 S \* 1/2015 Haigh ..... D29/120.2  
D757,591 S \* 5/2016 Amfitheatrof ..... D11/222  
D779,998 S \* 2/2017 Rosenbaum ..... D11/5  
D780,010 S \* 2/2017 Amfitheatrof ..... D11/26  
D780,018 S \* 2/2017 Riviere ..... D11/34  
D780,033 S \* 2/2017 Duval ..... D11/27  
D784,841 S \* 4/2017 Amfitheatrof ..... D11/27  
D784,844 S \* 4/2017 Amfitheatrof ..... D11/27  
D784,845 S \* 4/2017 Amfitheatrof ..... D11/27  
D815,973 S \* 4/2018 Coin ..... D11/5

OTHER PUBLICATIONS

Tineye reference (available online May 19, 2016) Retrieved from  
the internet Dec. 16, 2016, retrieved from the internet URL:  
[http://www.tineye.com/search/  
19eacf020d3e06c6f779f61bb54b6c5b13caa09c/](http://www.tineye.com/search/19eacf020d3e06c6f779f61bb54b6c5b13caa09c/).\*

\* cited by examiner

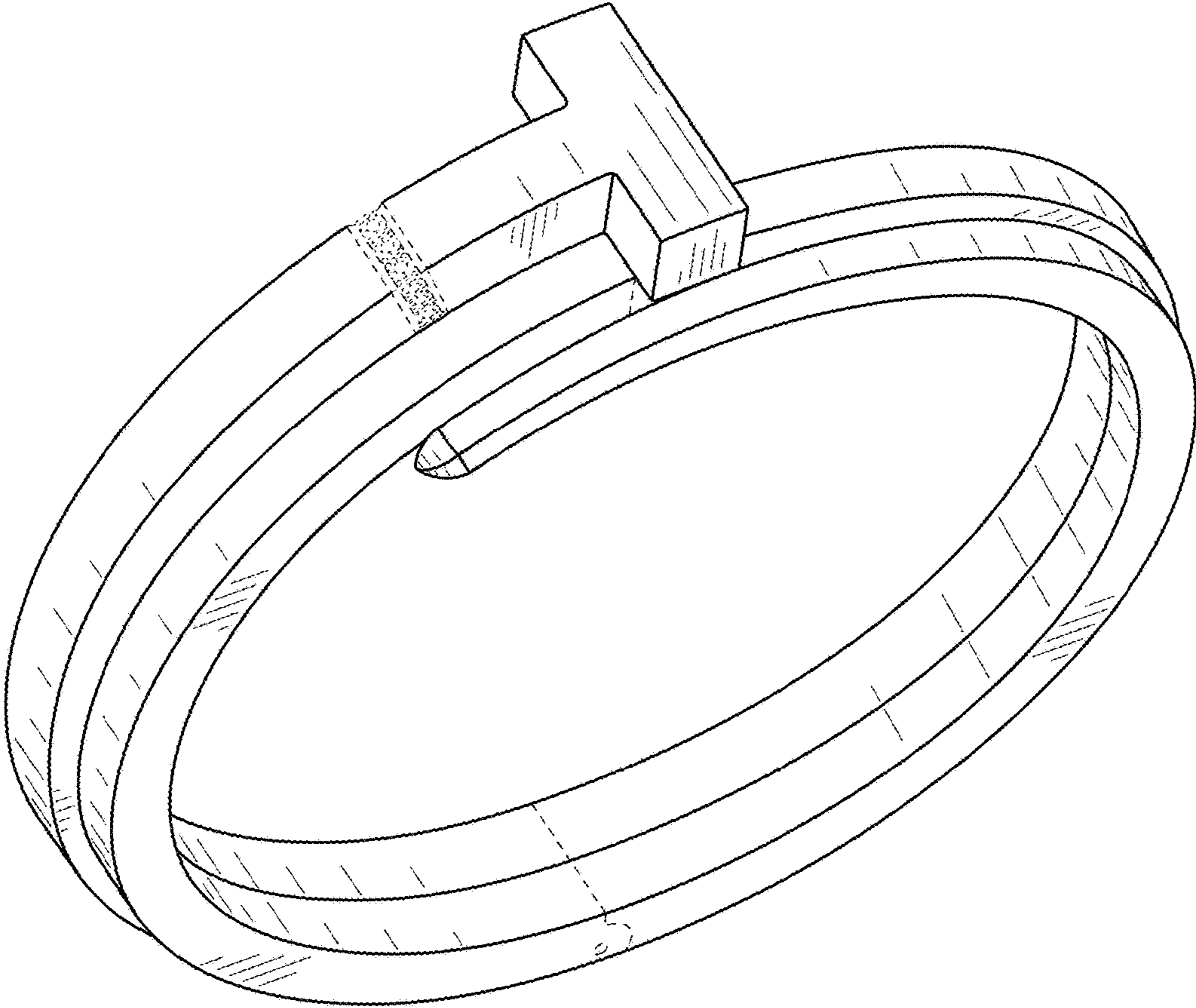


FIG. 1

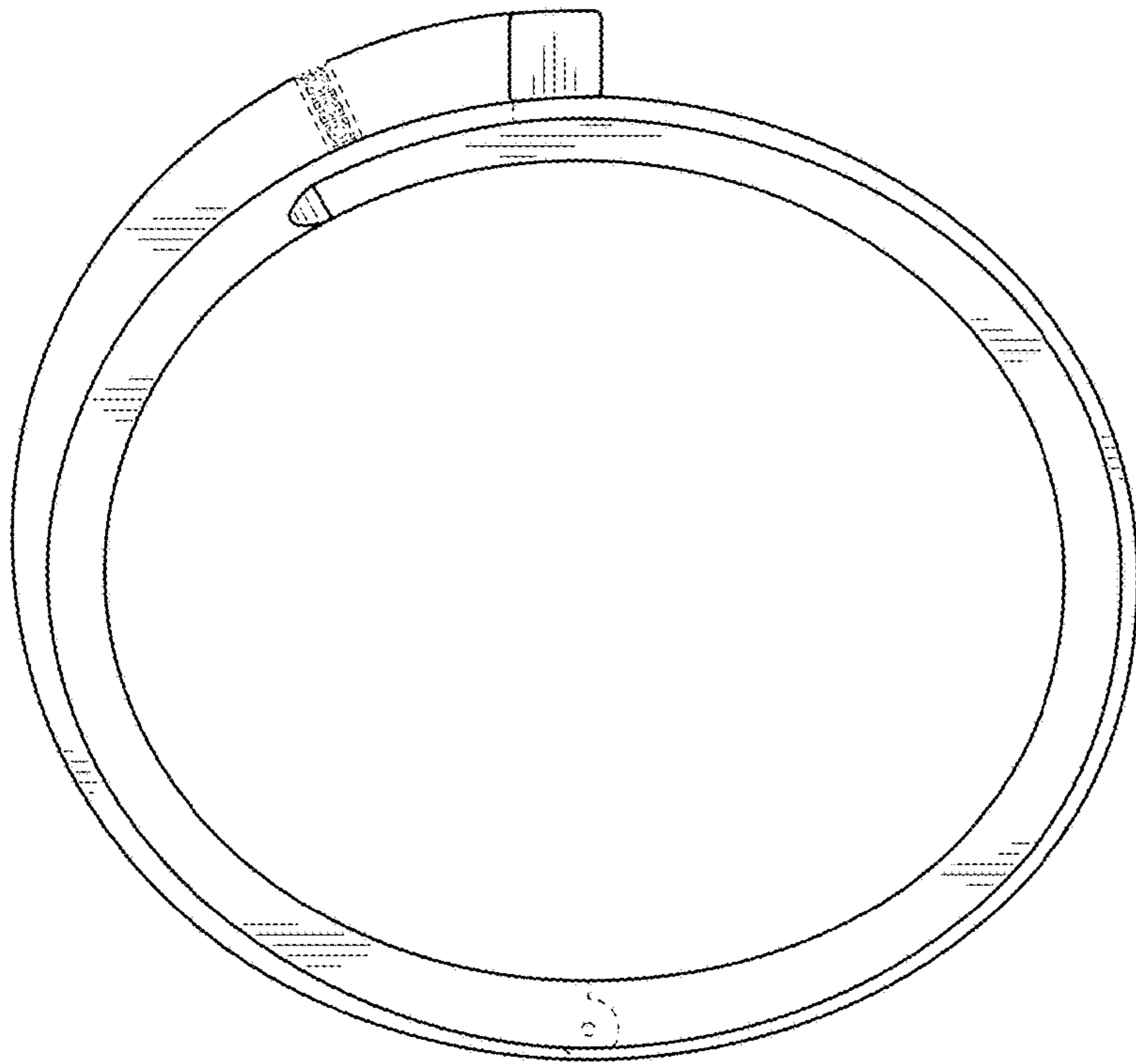


FIG. 2

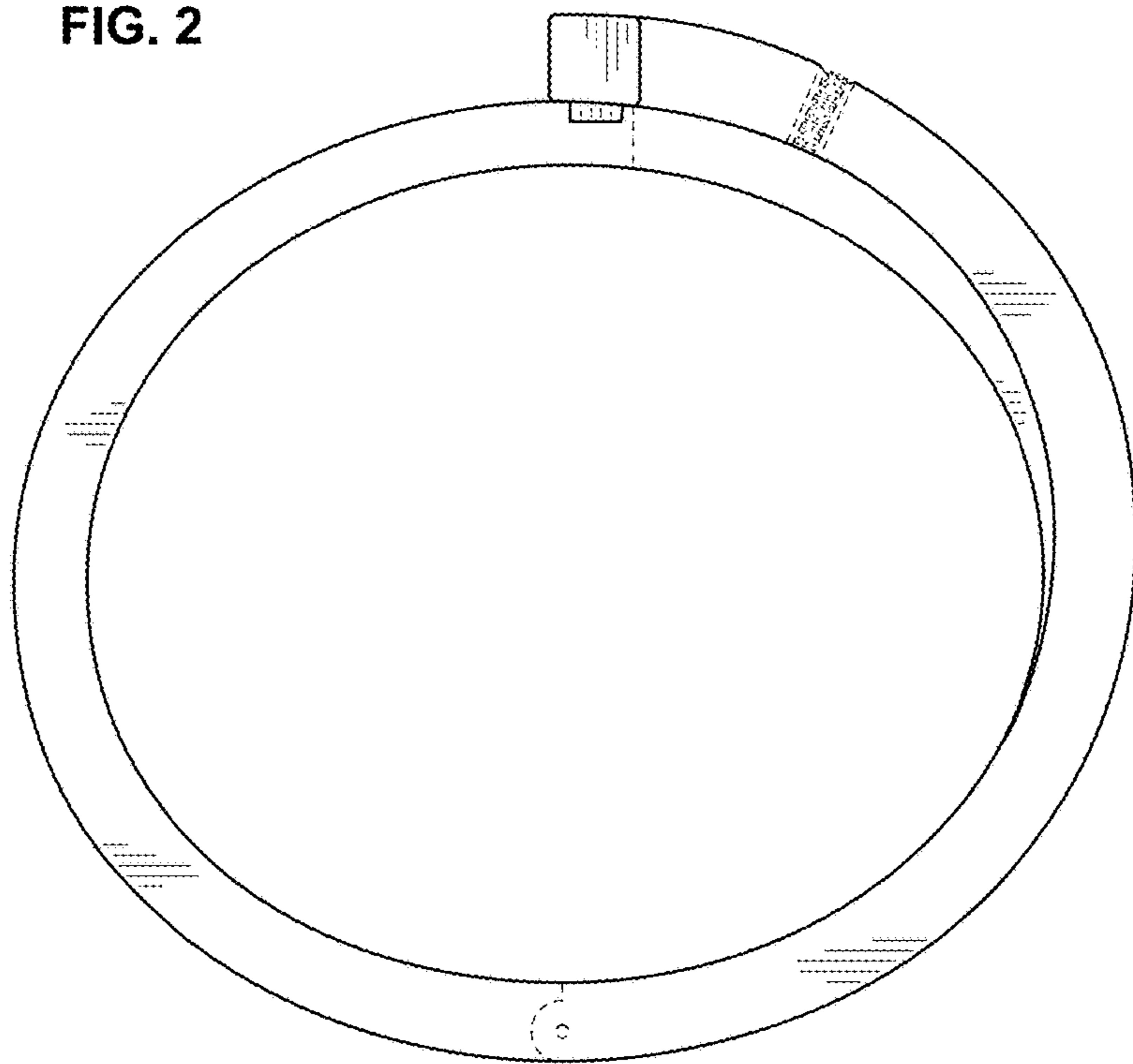


FIG. 3



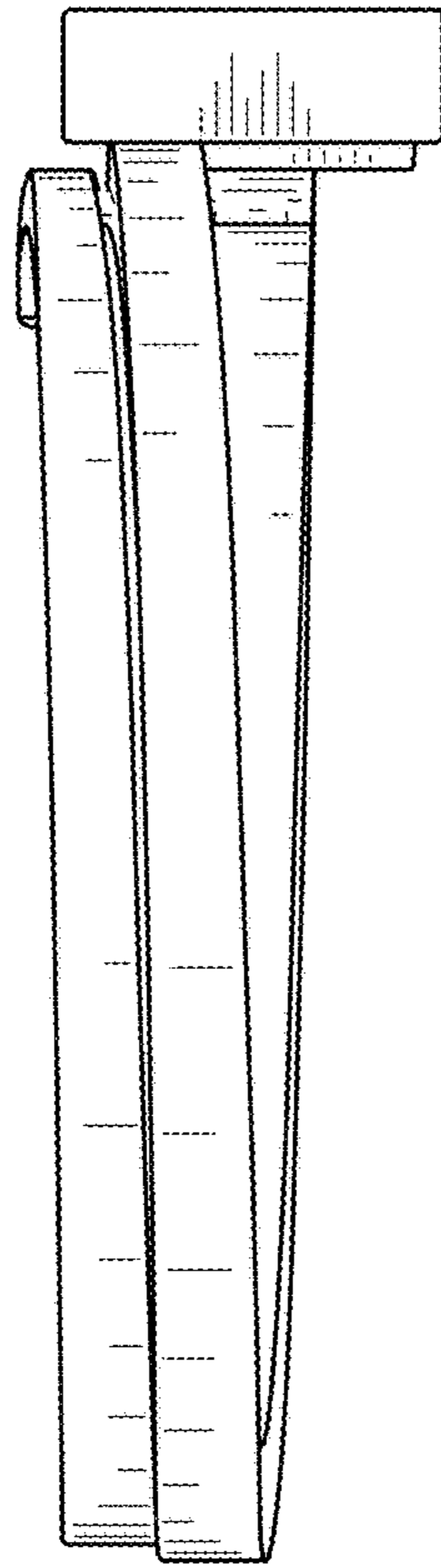


FIG. 4

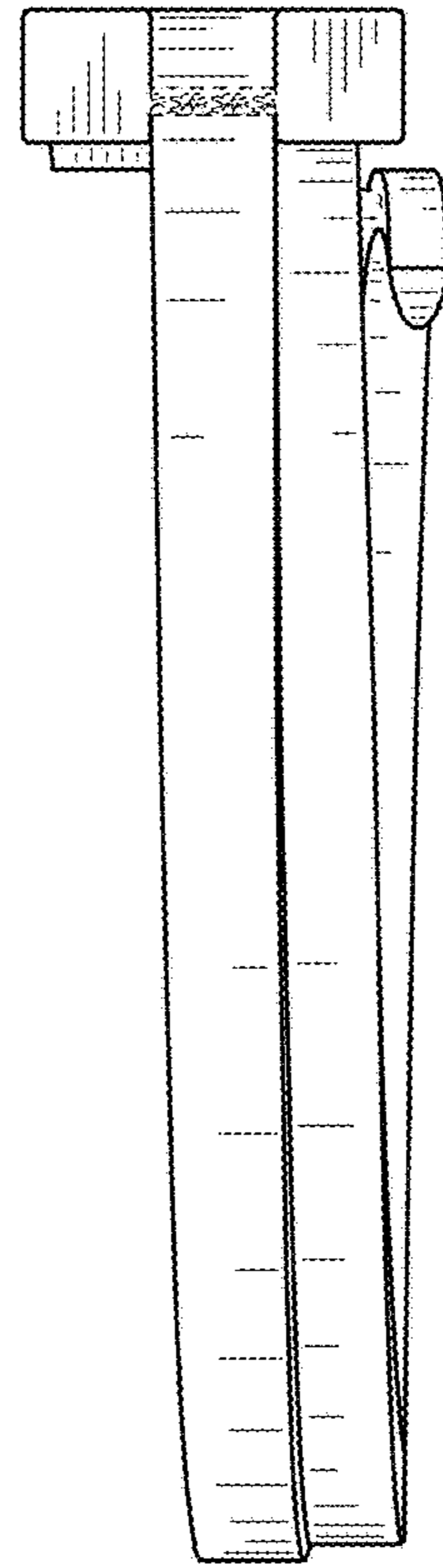


FIG. 5

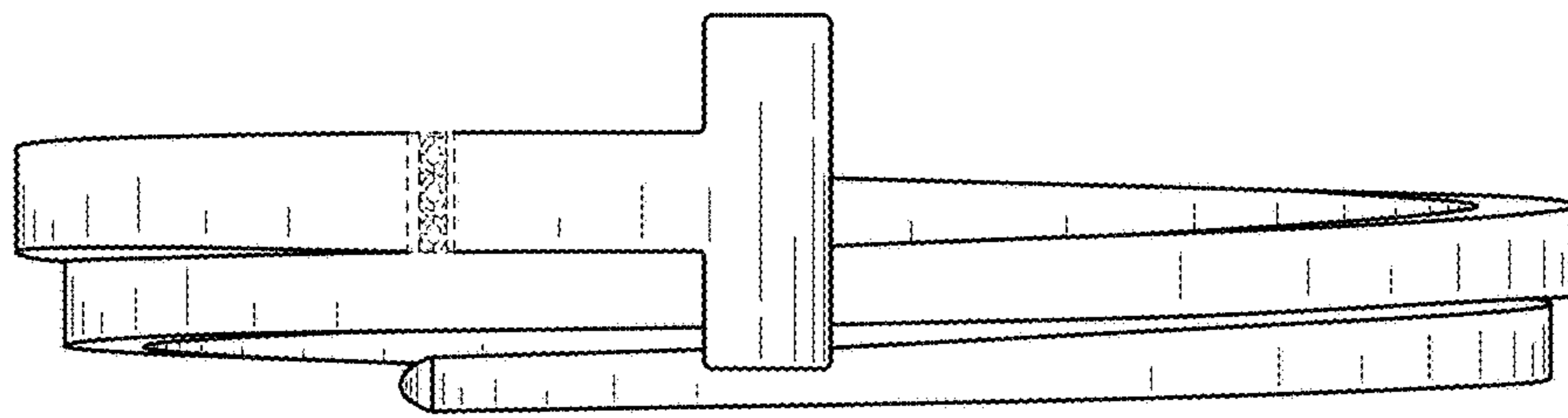


FIG. 6

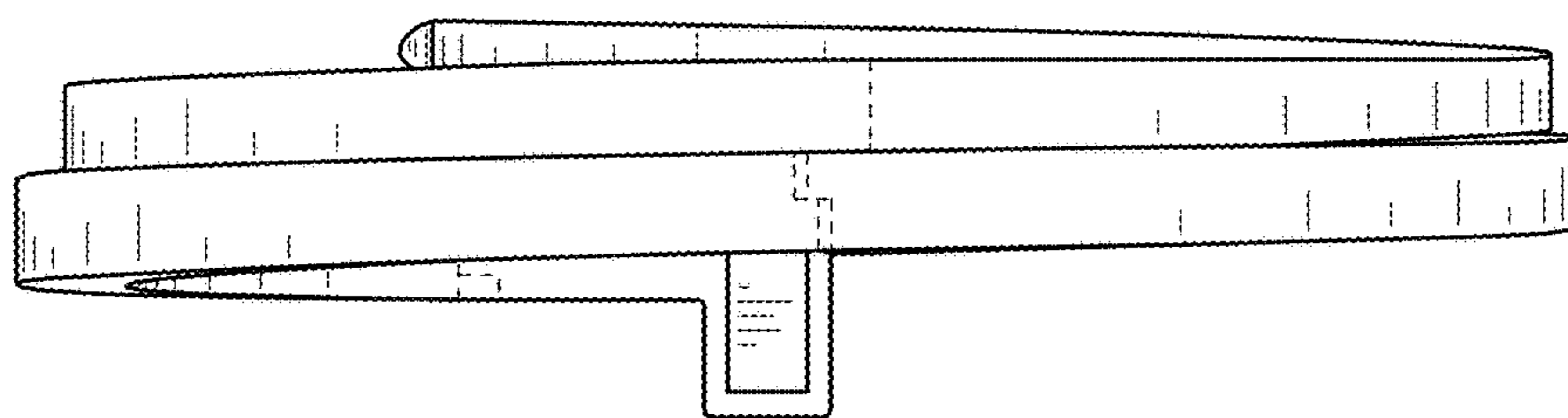


FIG. 7

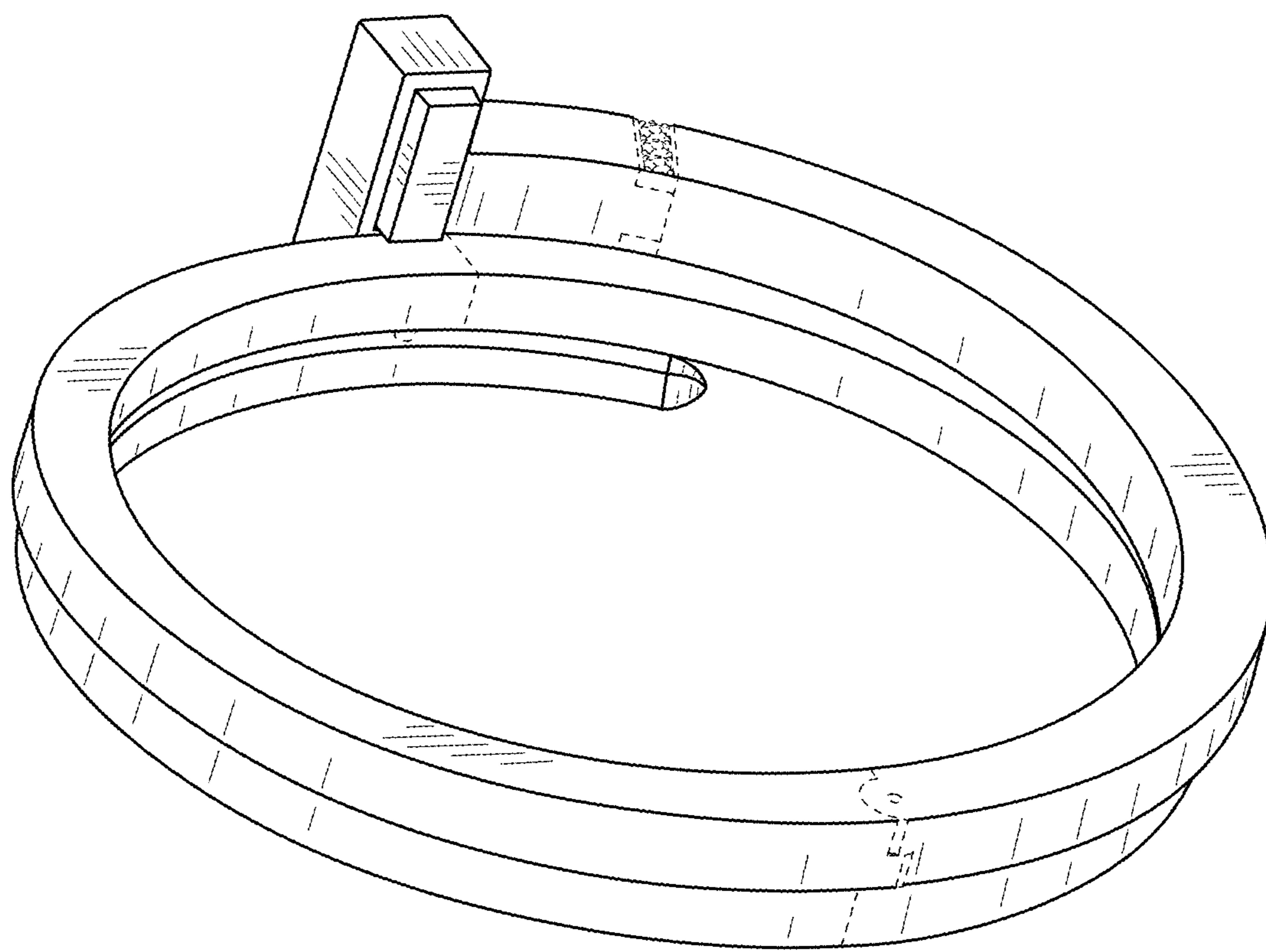


FIG. 8

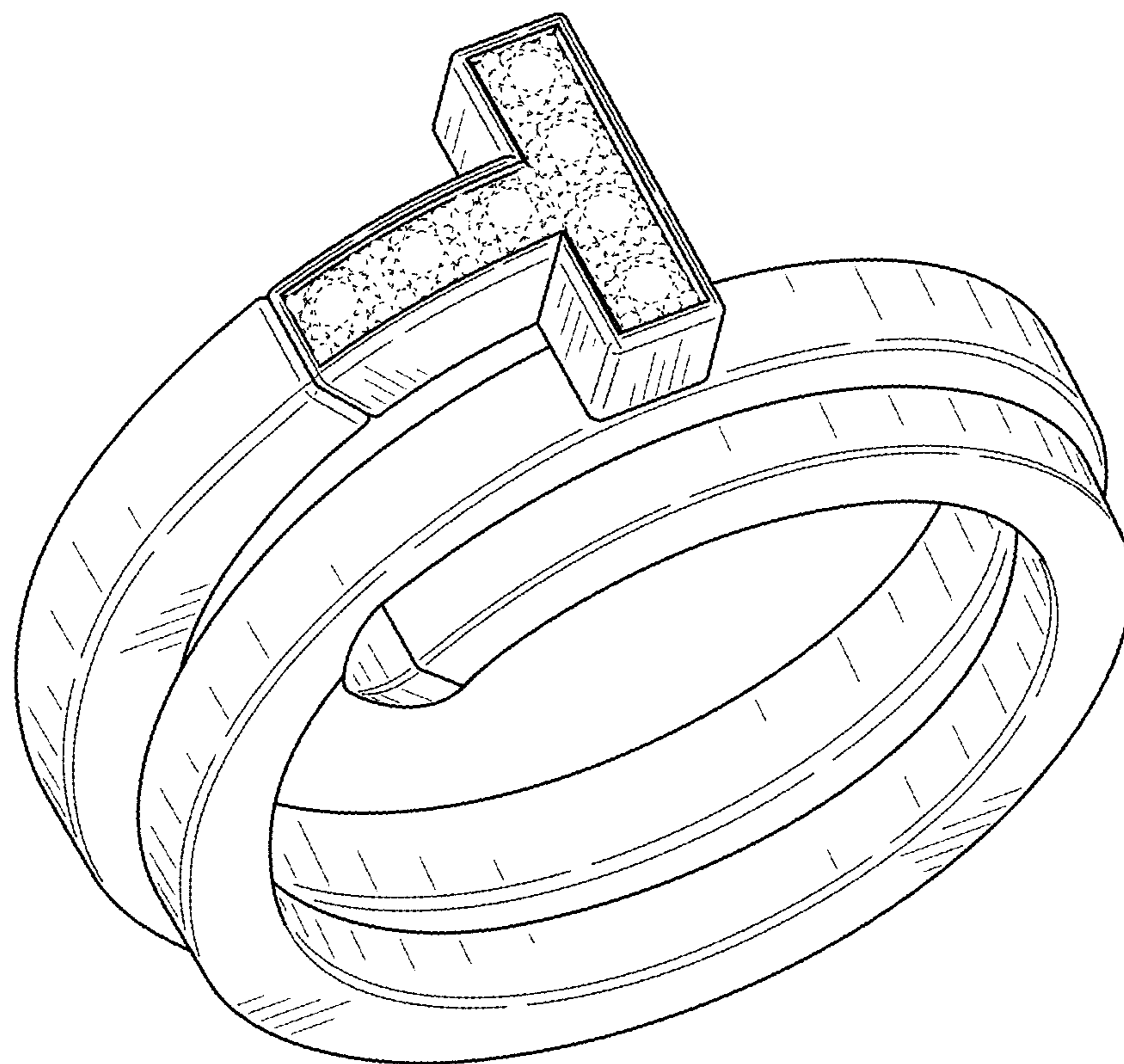


FIG. 9

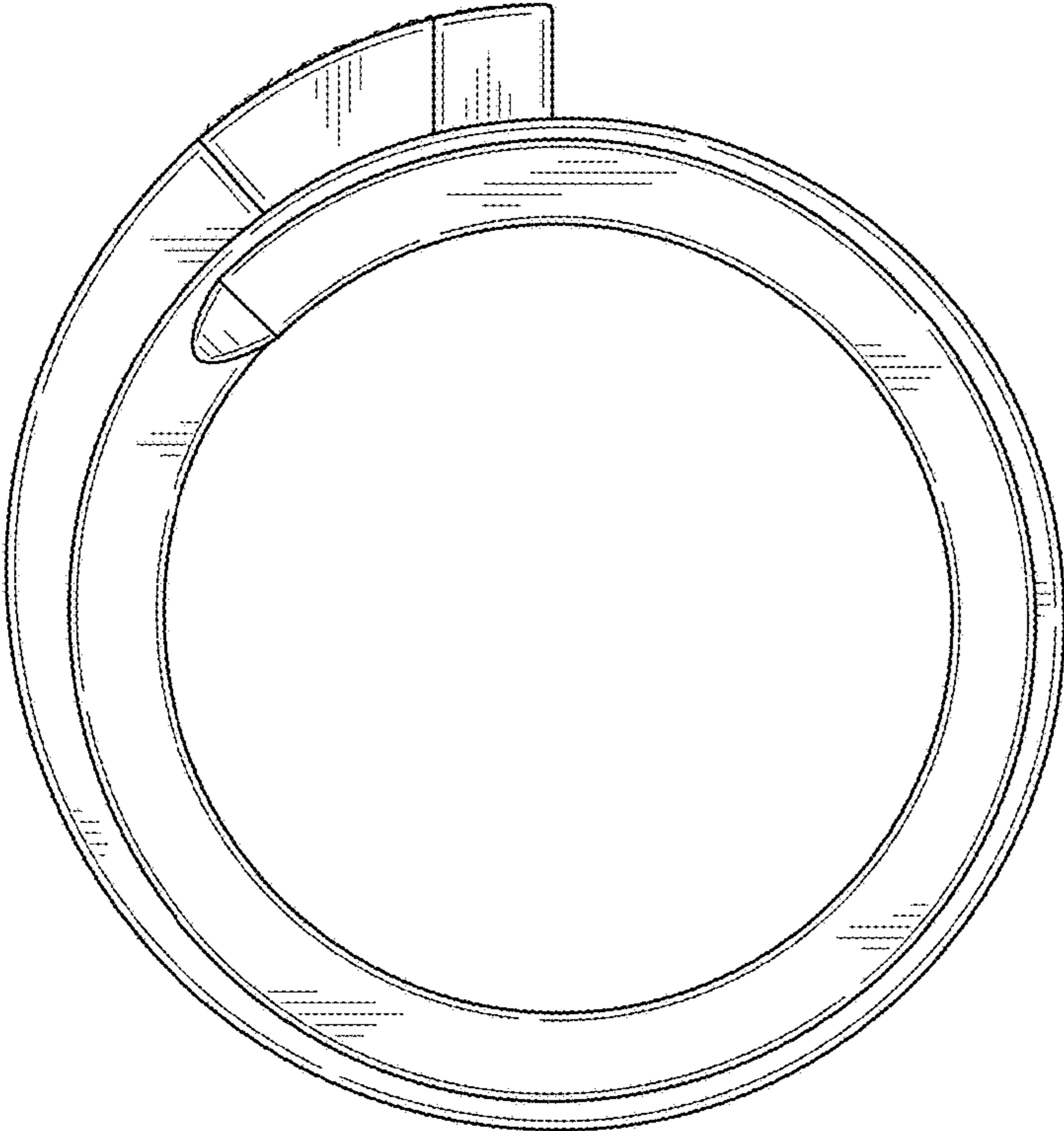


FIG. 10

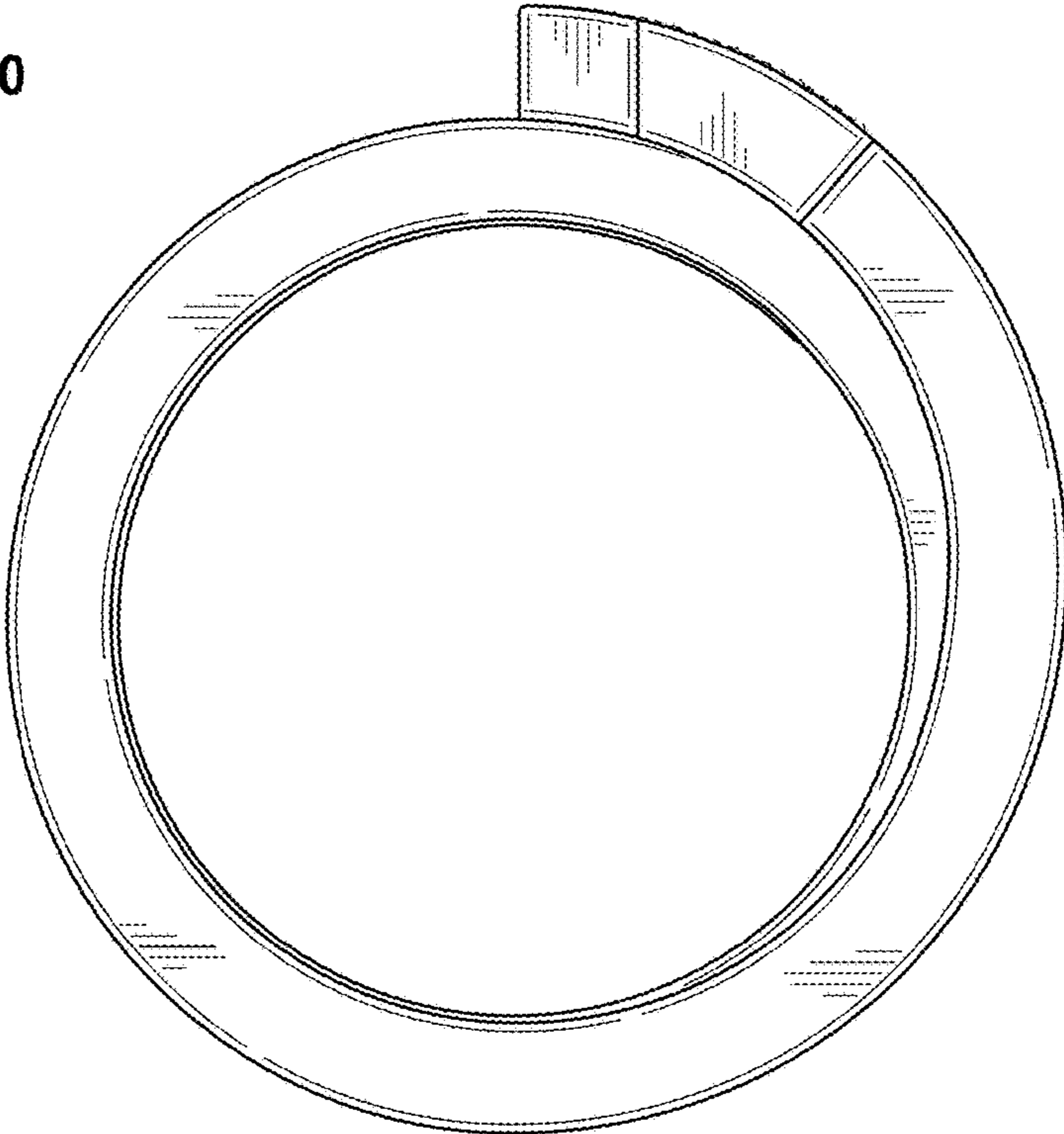


FIG. 11



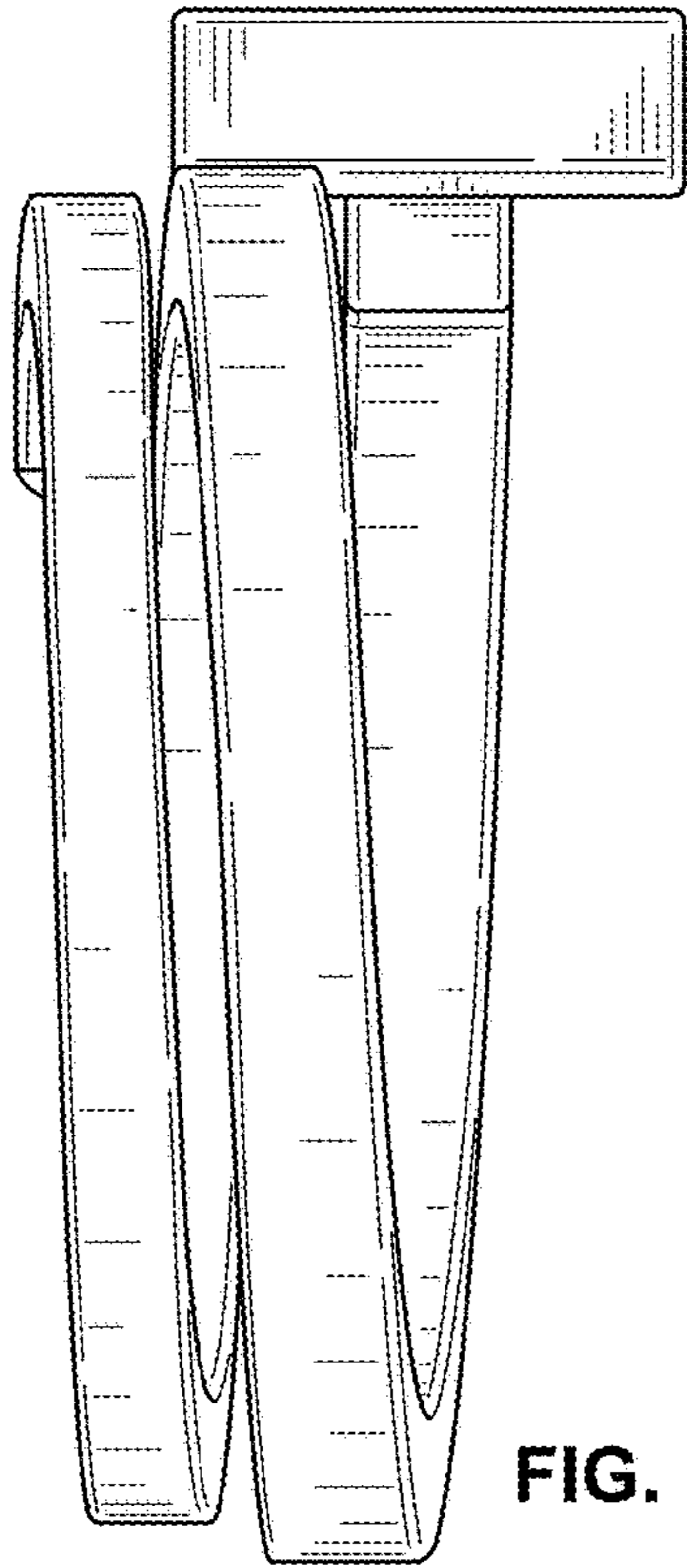


FIG. 12

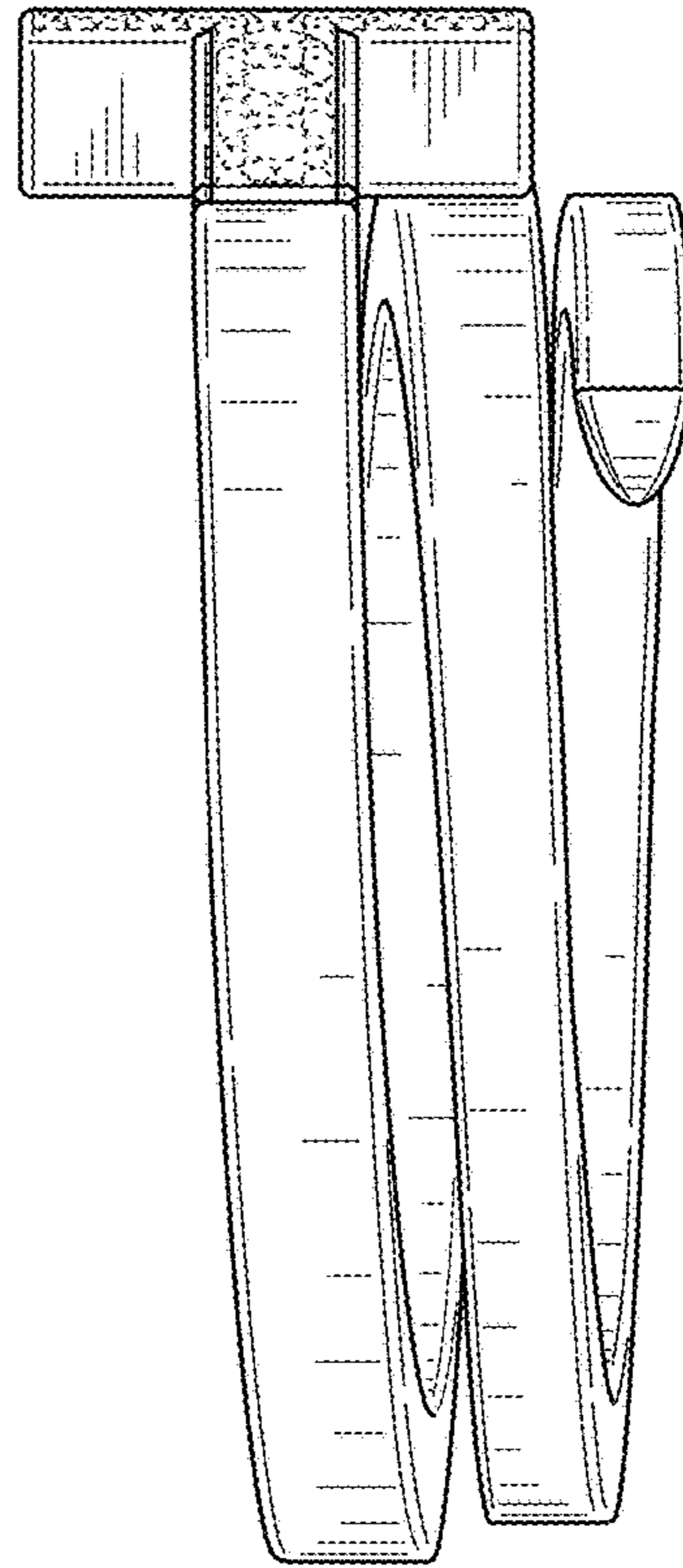


FIG. 13

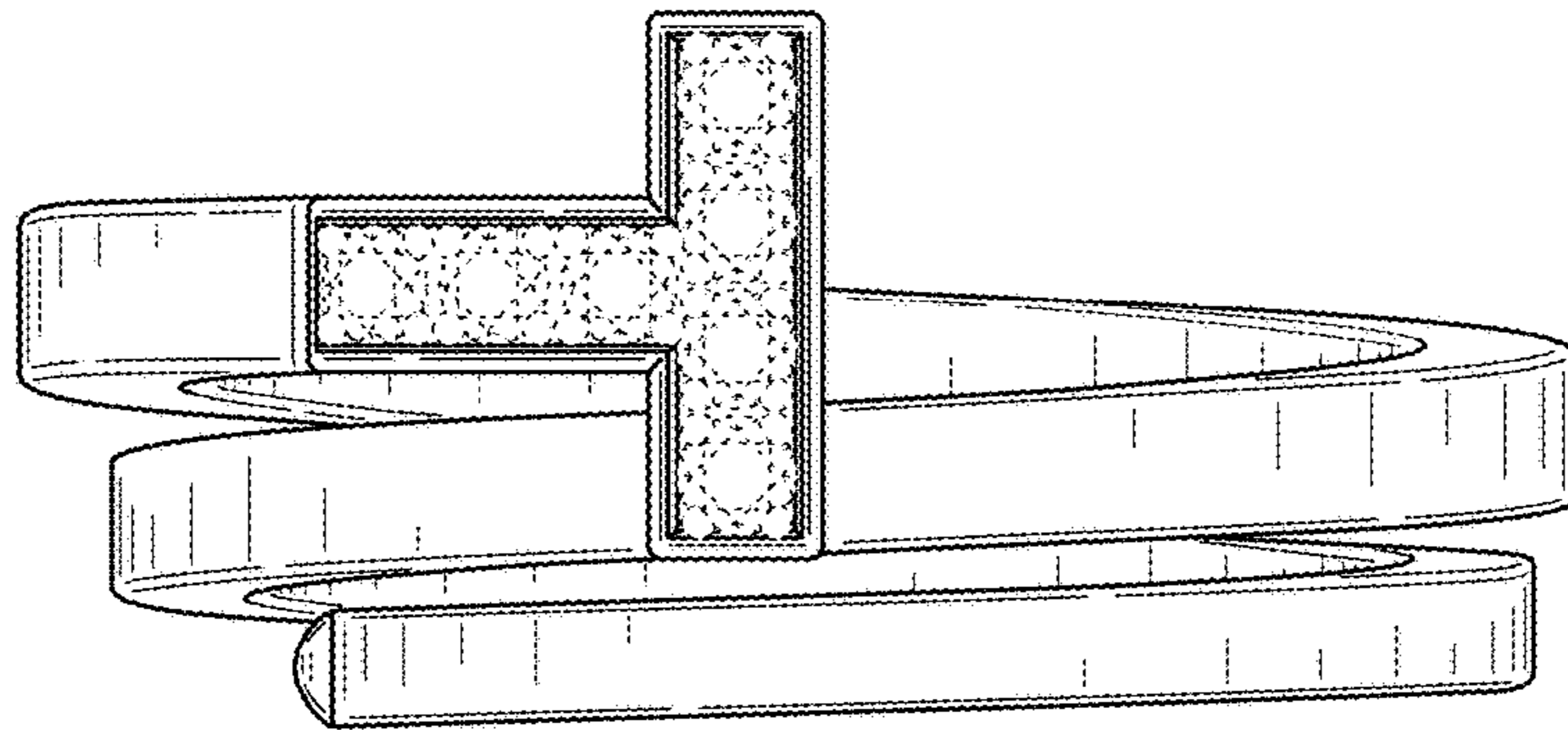


FIG. 14

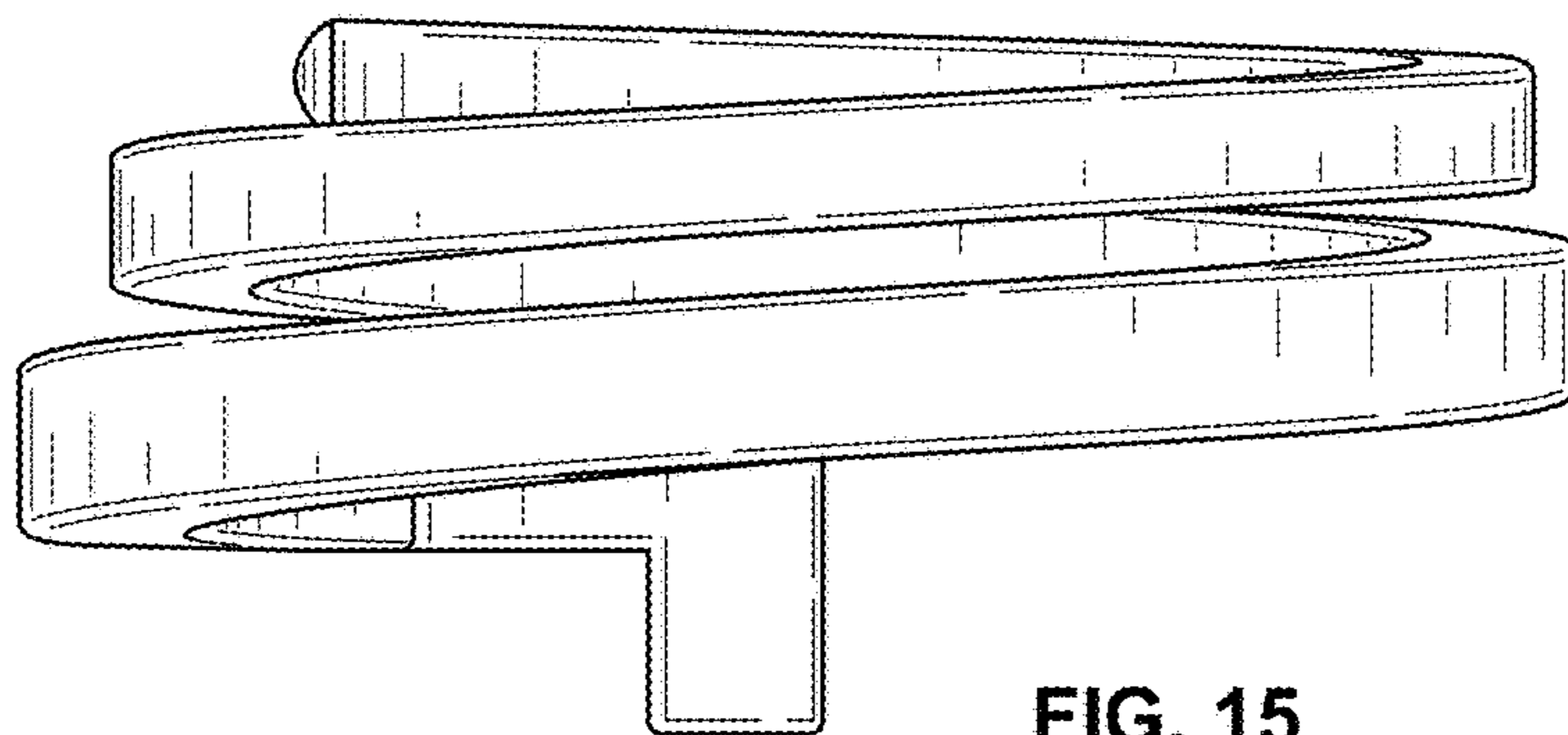


FIG. 15

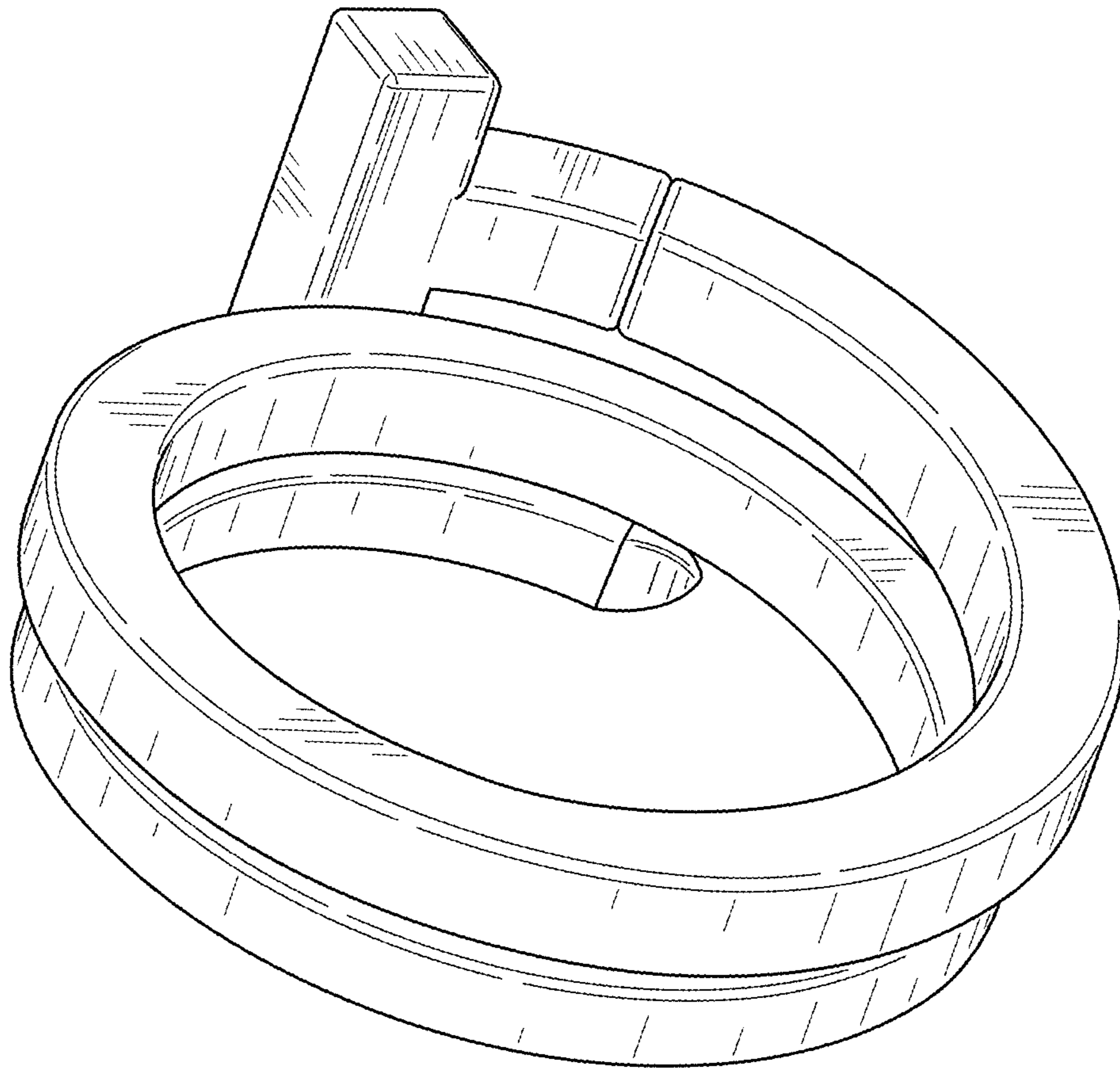


FIG. 16