



US00D834441S

(12) **United States Design Patent** (10) **Patent No.:** **US D834,441 S**  
**Ashoff** (45) **Date of Patent:** **\*\* Nov. 27, 2018**

(54) **BRACELET**  
(71) Applicant: **Ashley Ashoff**, Ukiah, CA (US)  
(72) Inventor: **Ashley Ashoff**, Ukiah, CA (US)  
(\*\*) Term: **15 Years**  
(21) Appl. No.: **29/613,022**  
(22) Filed: **Aug. 7, 2017**  
(51) **LOC (11) Cl.** ..... **11-01**  
(52) **U.S. Cl.**  
USPC ..... **D11/4; D11/16**  
(58) **Field of Classification Search**  
USPC ..... D11/1-45, 77, 91, 92  
CPC ..... A44C 5/00; A44C 5/0007; A44C 5/0015;  
A44C 5/0023; A44C 5/003; A44C  
5/0038; A44C 5/0046; A44C 5/0053;  
A44C 5/0061; A44C 5/0069; A44C  
5/0084; A44C 5/0092; A44C 5/02; A44C  
5/022; A44C 5/025; A44C 5/027; A44C  
5/04; A44C 5/06; A44C 5/08; A44C 5/10;  
A44C 5/12; A44C 13/00; A44C 7/00;  
A44C 7/001; A44C 7/002; A44C 7/003;  
A44C 9/00; A44C 9/0007; A44C 9/0015;  
A44C 9/02  
See application file for complete search history.

(56) **References Cited**  
U.S. PATENT DOCUMENTS  
D120,129 S \* 4/1940 Mann ..... D11/34  
D149,396 S \* 4/1948 Babin ..... D11/5  
3,520,001 A \* 7/1970 Chancellor, Jr. .... A44C 5/0092  
63/7  
D271,672 S \* 12/1983 Bulgari ..... D11/20  
D286,623 S \* 11/1986 Bulgari ..... D11/6  
D290,938 S \* 7/1987 Bulgari ..... D11/3  
D371,980 S \* 7/1996 Gardner ..... D11/4  
D416,512 S \* 11/1999 Rossi ..... D11/38  
D443,549 S \* 6/2001 Haquet ..... D11/26  
D445,715 S \* 7/2001 Haquet ..... D11/5

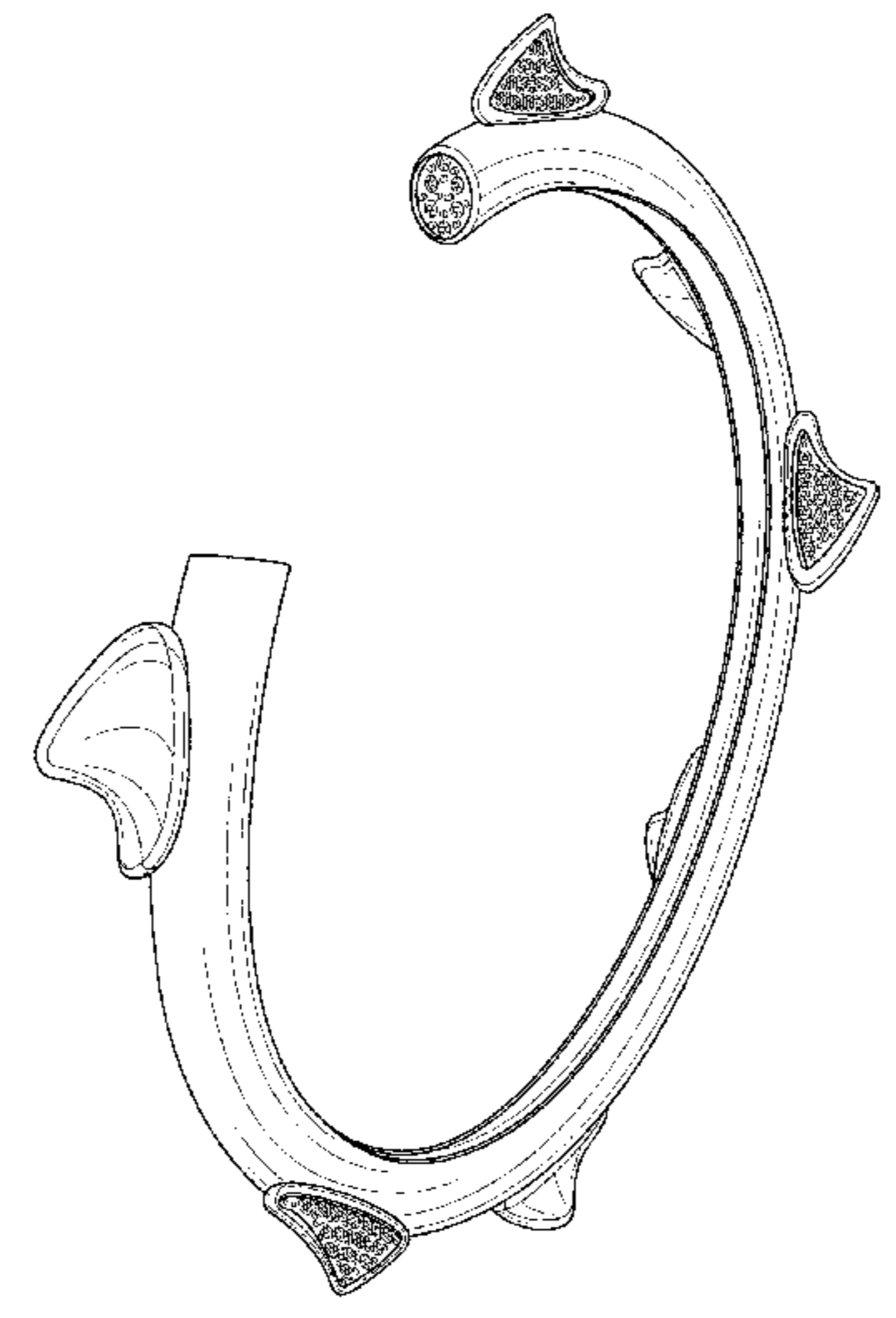
D447,437 S \* 9/2001 Haquet ..... D11/27  
6,578,982 B1 \* 6/2003 Lynch ..... A44C 15/0015  
D11/3  
D541,692 S \* 5/2007 Daas ..... D11/16  
D651,932 S \* 1/2012 Molik ..... D11/3  
D652,336 S \* 1/2012 Molik ..... D11/3  
8,540,544 B1 \* 9/2013 Logue ..... A44C 5/00  
D11/3  
D691,505 S \* 10/2013 Fillon ..... D11/3  
D708,089 S \* 7/2014 Burbano ..... D11/6  
D717,684 S \* 11/2014 Delaney ..... D11/3  
D734,686 S \* 7/2015 Alton ..... D11/35  
D771,189 S \* 11/2016 Robinson ..... D11/34  
D811,926 S \* 3/2018 Luig ..... D11/26

\* cited by examiner  
*Primary Examiner* — Cynthia Ramirez  
*Assistant Examiner* — L. Martinez  
(74) *Attorney, Agent, or Firm* — Thomas Schneck

(57) **CLAIM**  
The ornamental design for a bracelet, as shown.

**DESCRIPTION**  
FIG. 1 is a perspective view of a first embodiment of a bracelet showing my new design;  
FIG. 2 is a top view thereof;  
FIG. 3 is a bottom view thereof;  
FIG. 4 is a right side view thereof;  
FIG. 5 is a left side view thereof;  
FIG. 6 is a front view thereof;  
FIG. 7 is a rear view thereof;  
FIG. 8 is a perspective view of a second embodiment of the bracelet, showing my new design;  
FIG. 9 is a top view thereof;  
FIG. 10 is a bottom view thereof;  
FIG. 11 is a right side view thereof;  
FIG. 12 is a left side view thereof;  
FIG. 13 is a front view thereof; and,  
FIG. 14 is a rear view thereof.

**1 Claim, 8 Drawing Sheets**



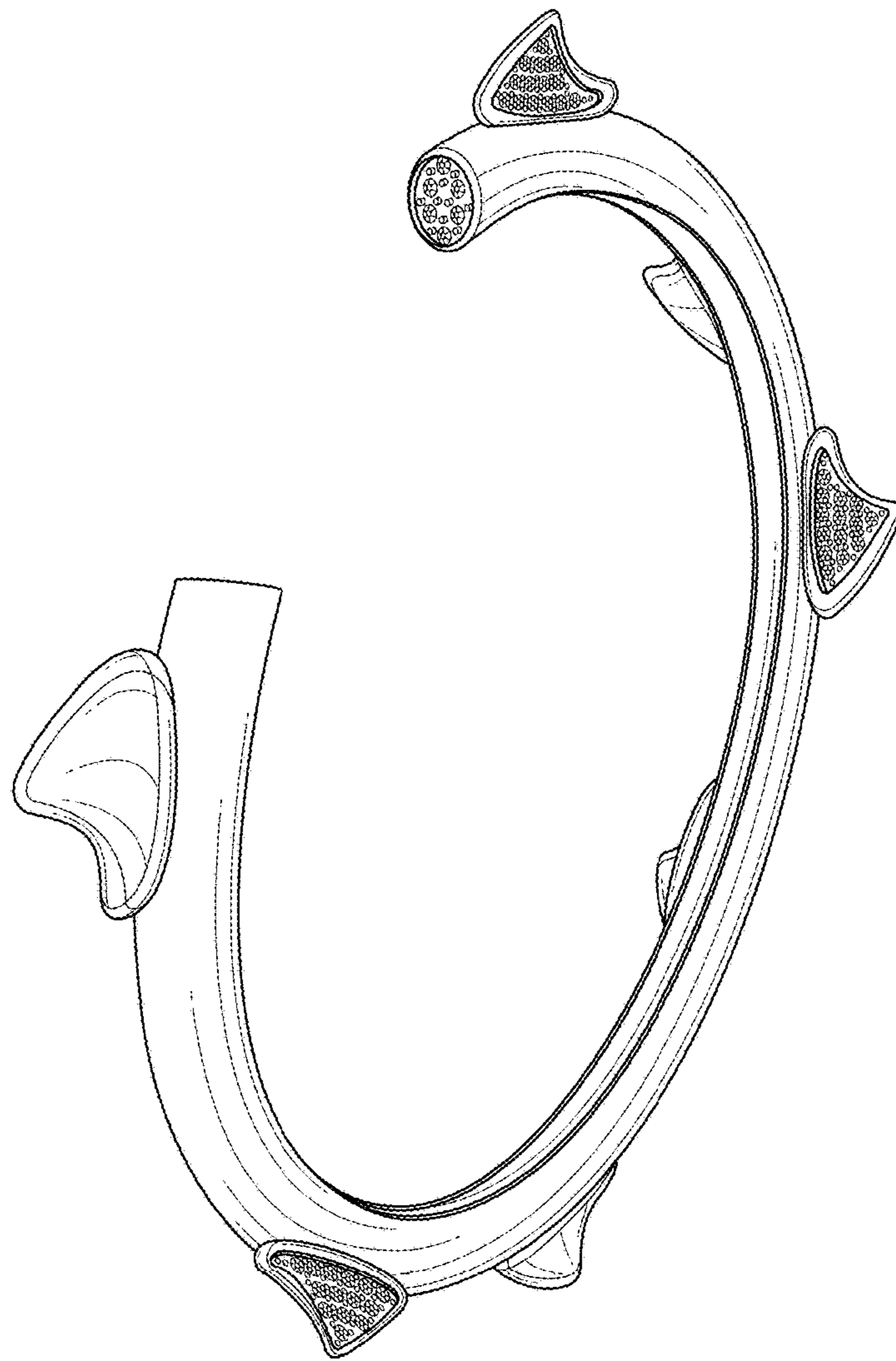


FIG. 1

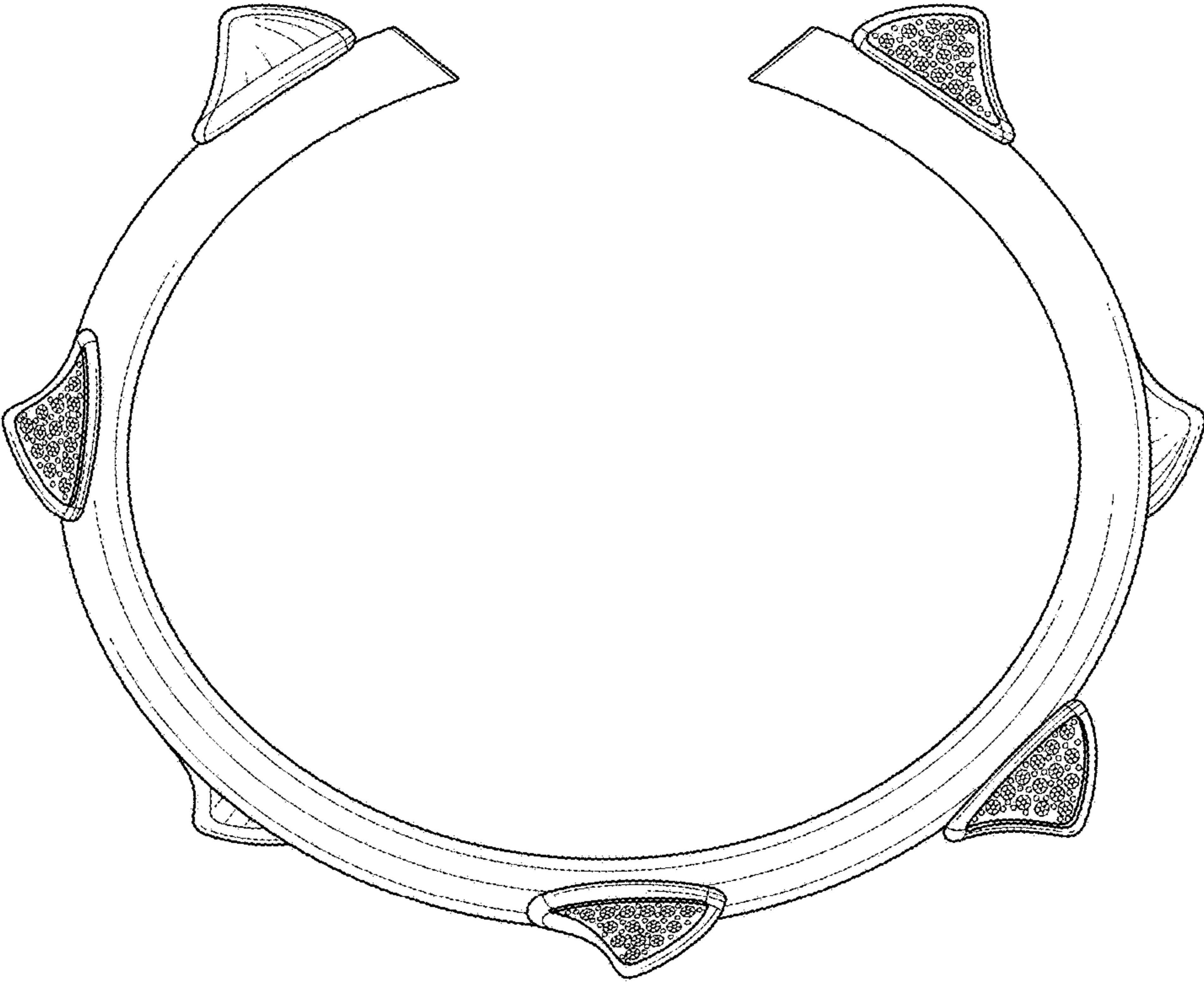


FIG. 2

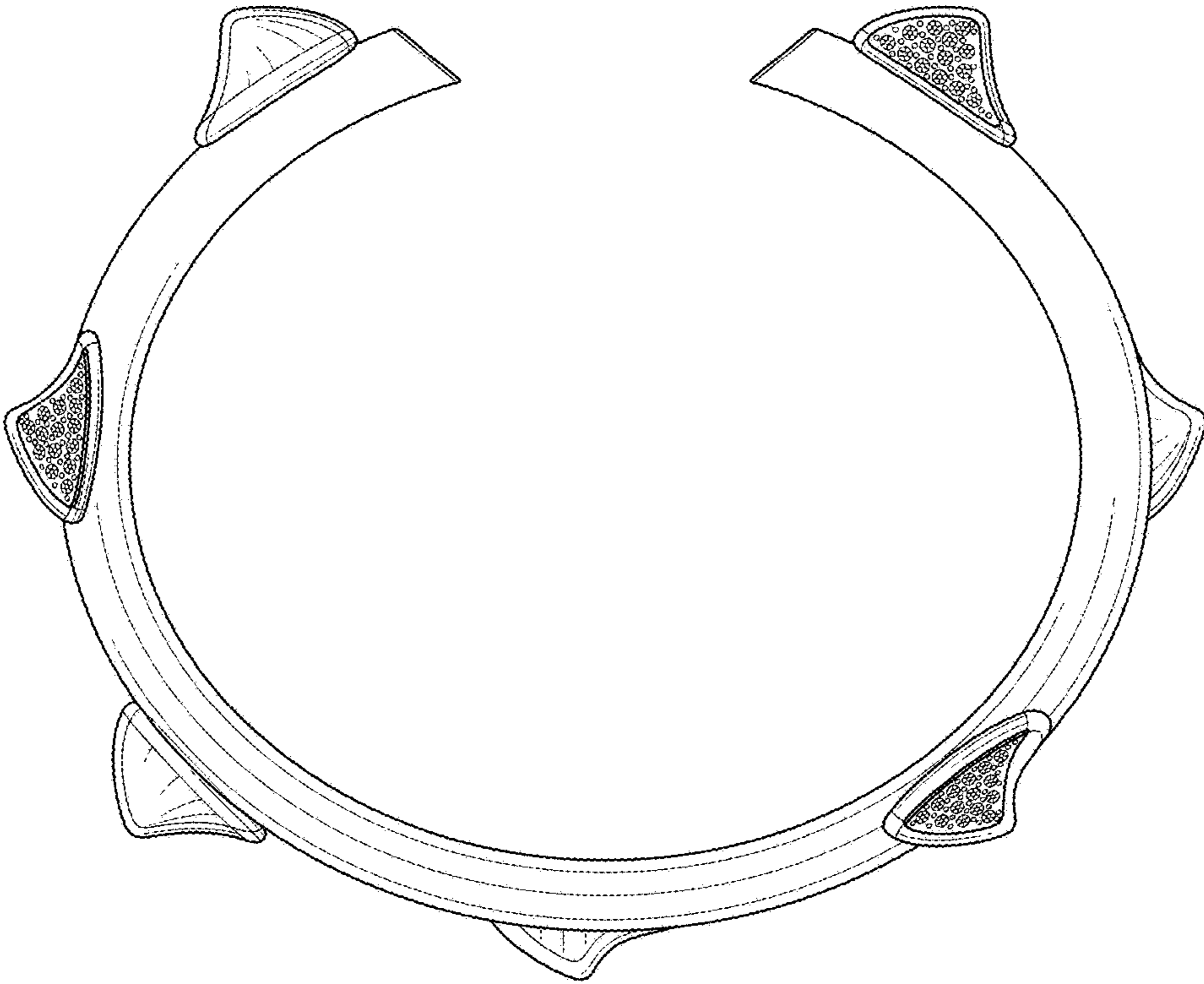


FIG. 3

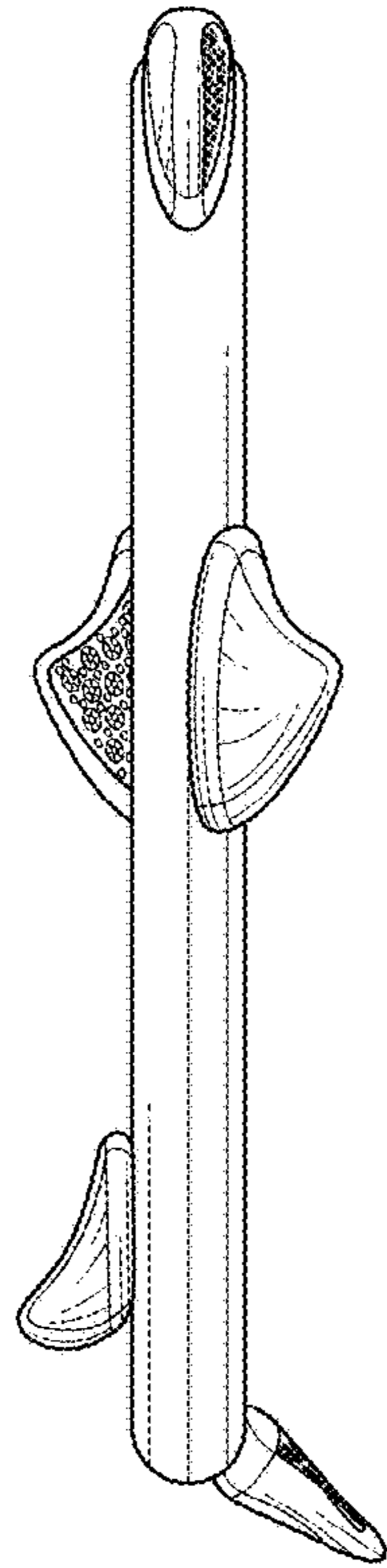


FIG. 4

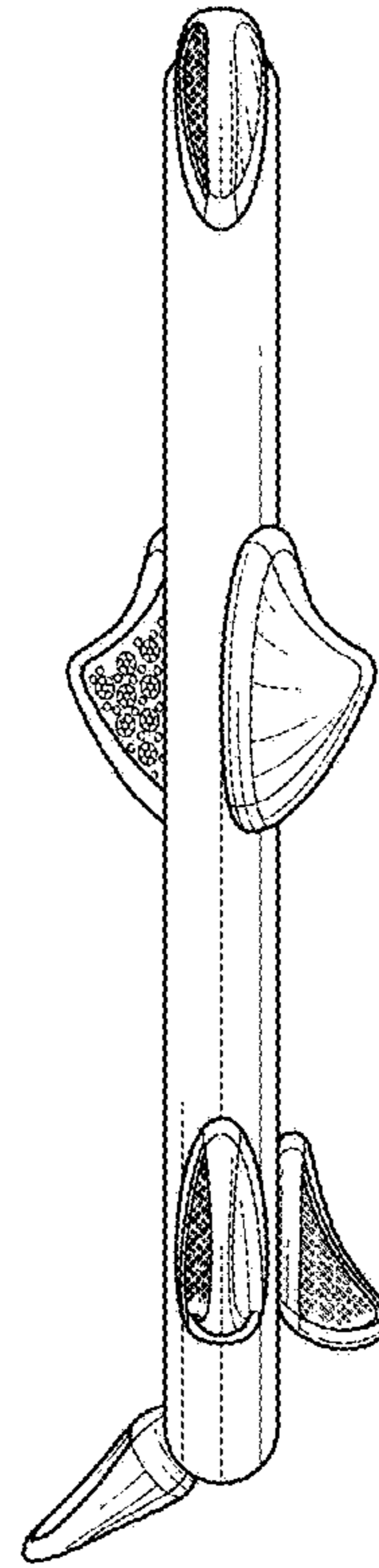


FIG. 5

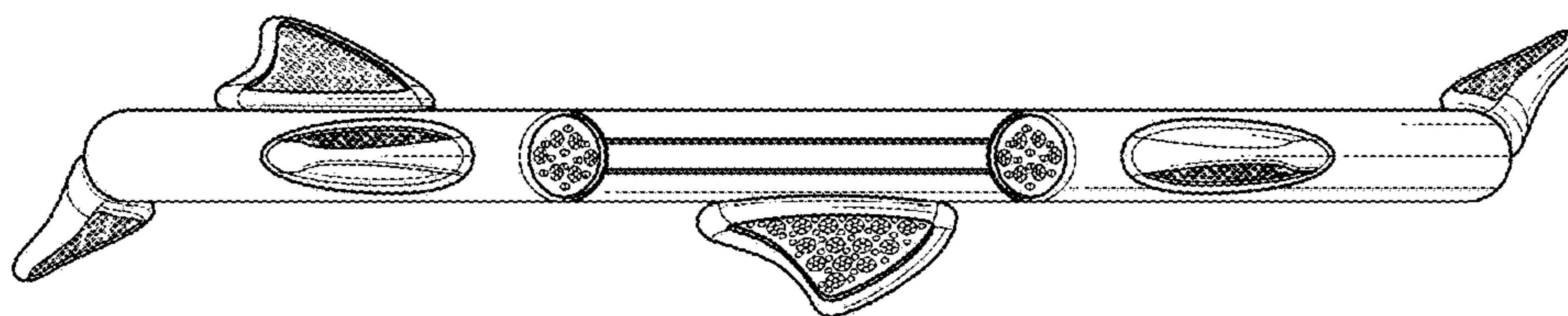


FIG. 6

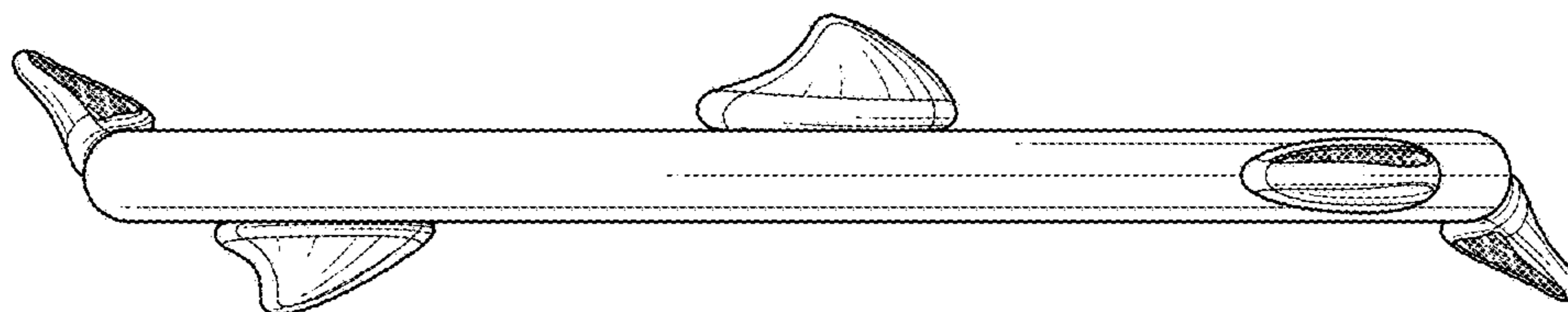


FIG. 7

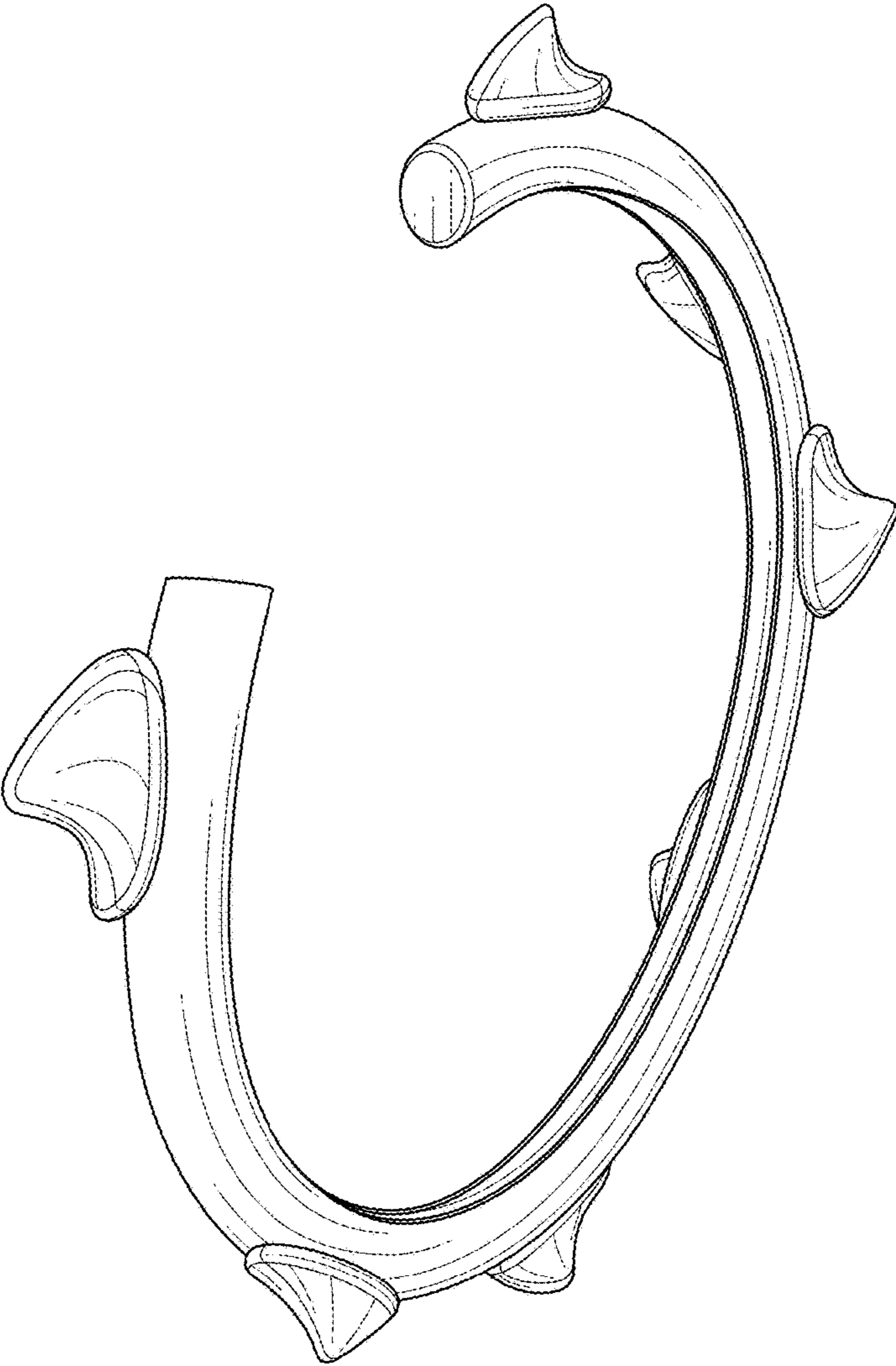


FIG. 8

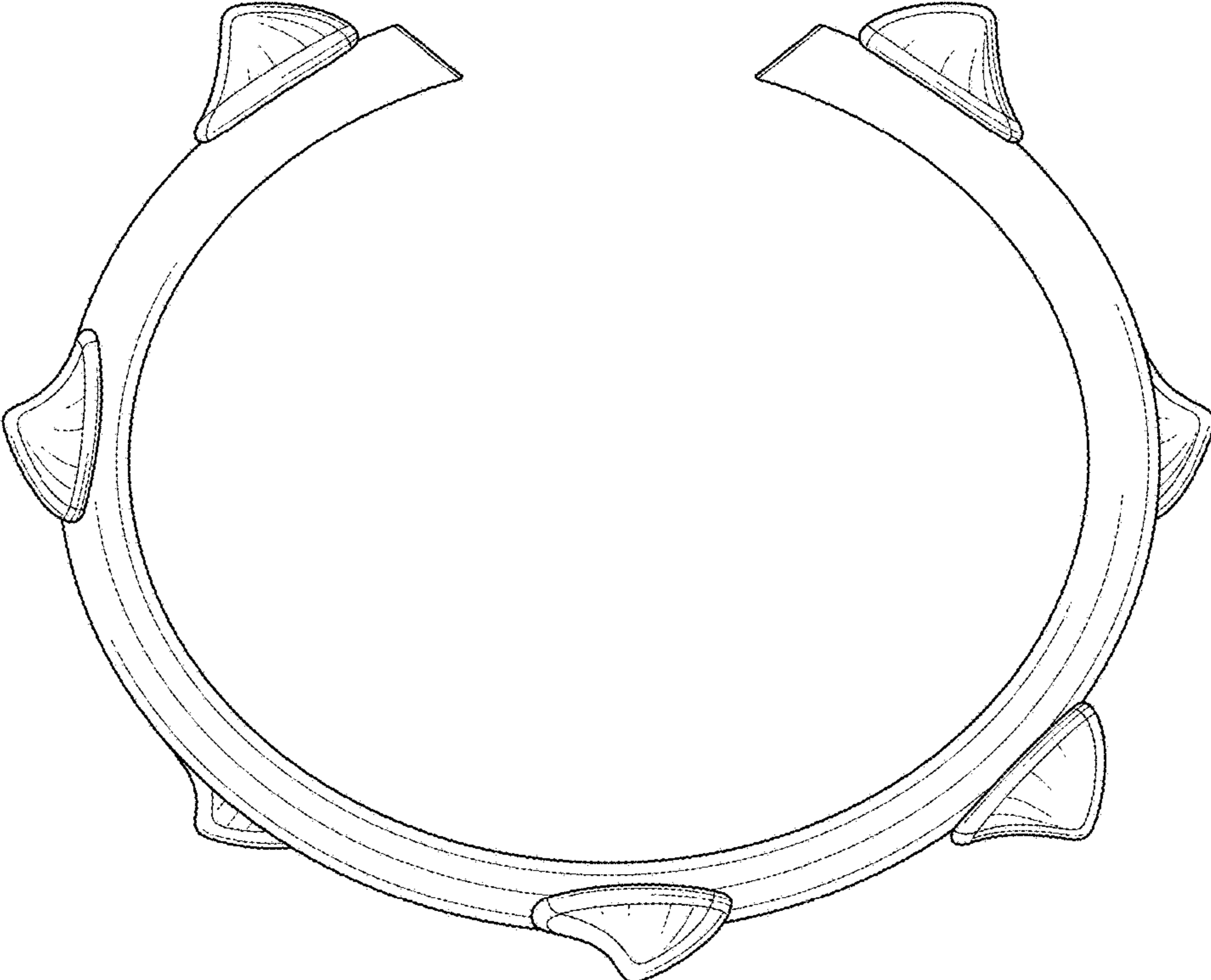


FIG. 9

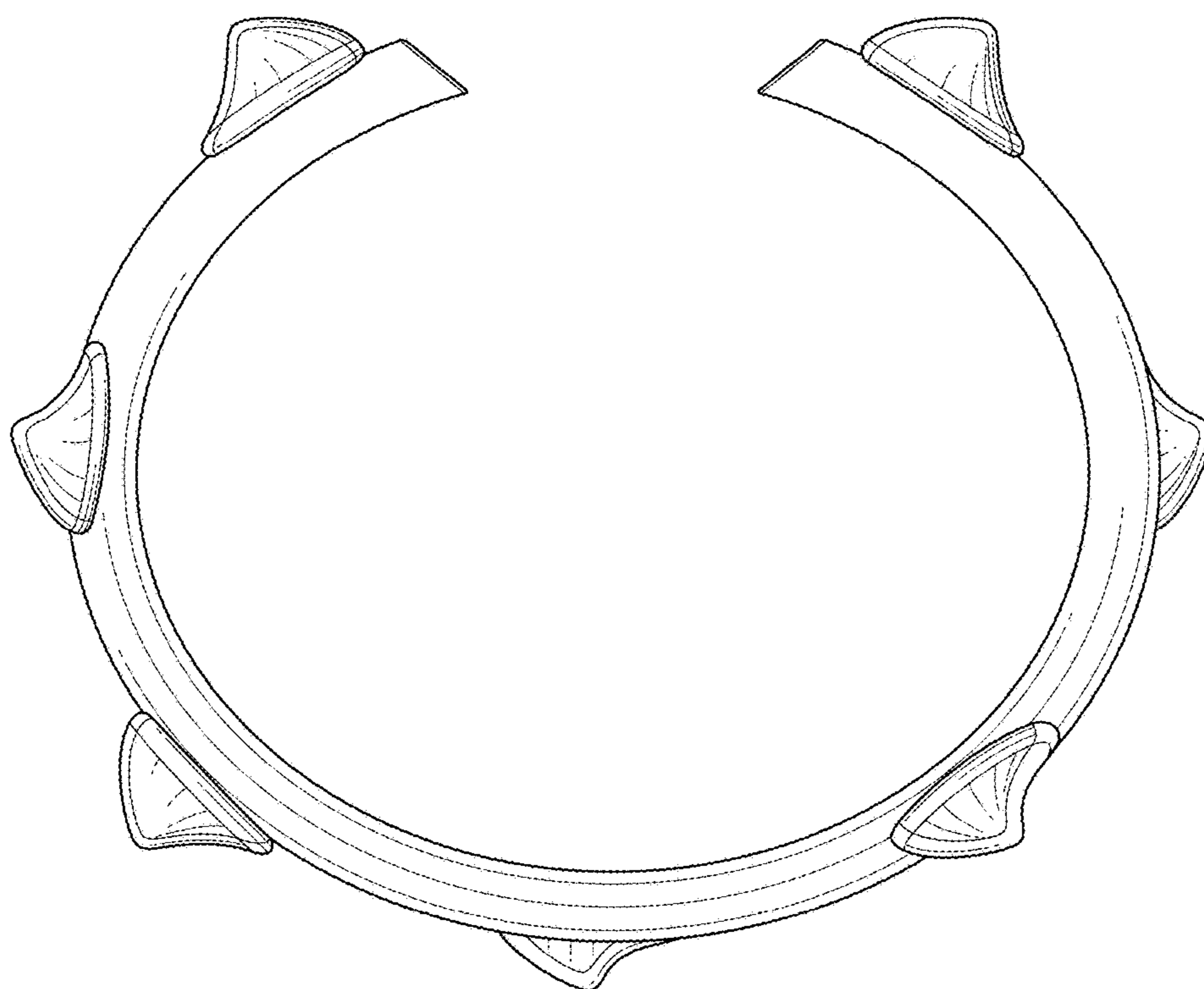


FIG. 10



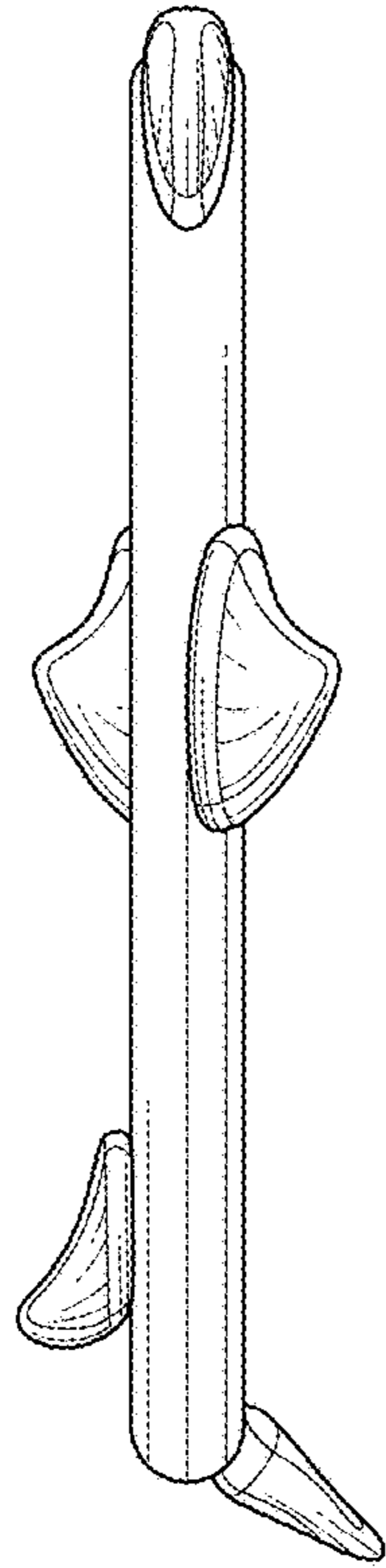


FIG. 11

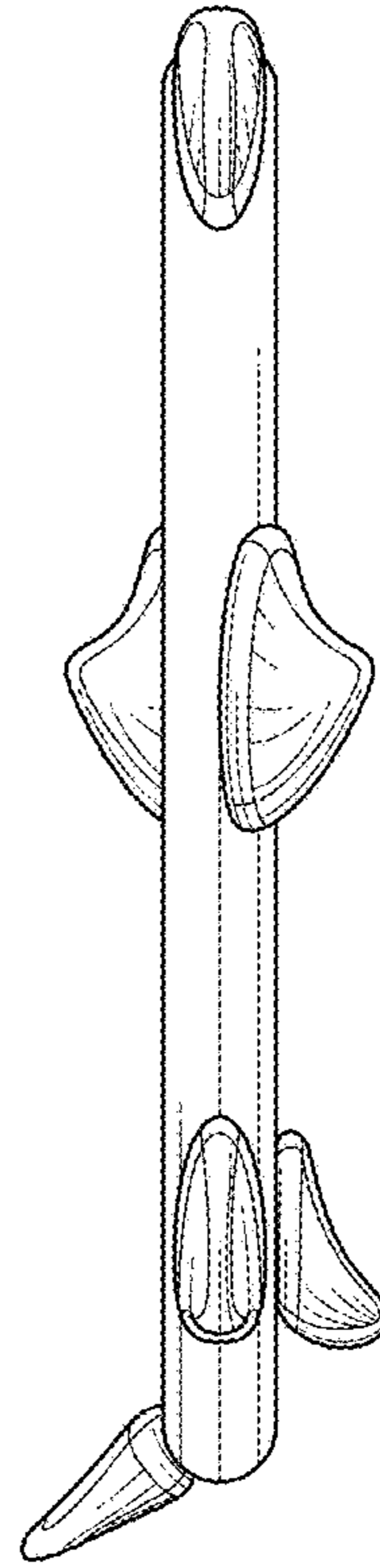


FIG. 12

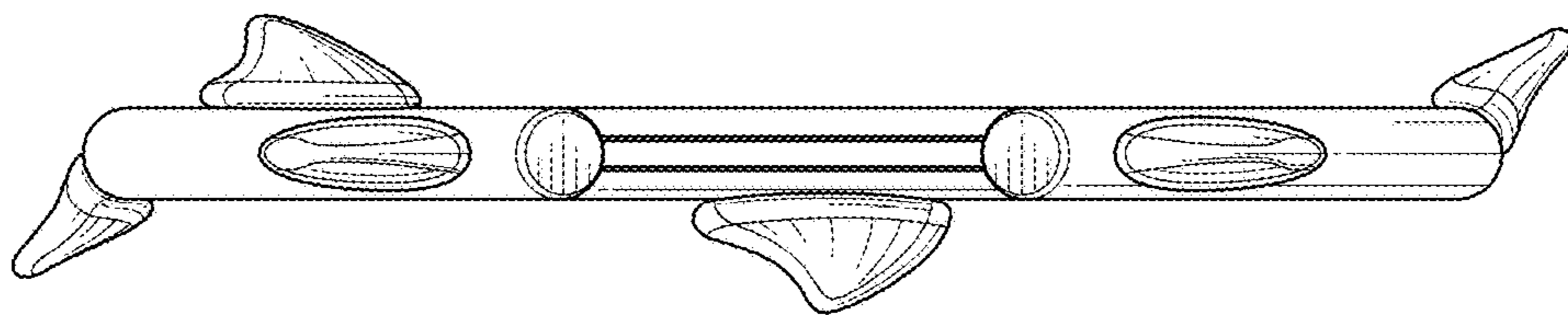


FIG. 13

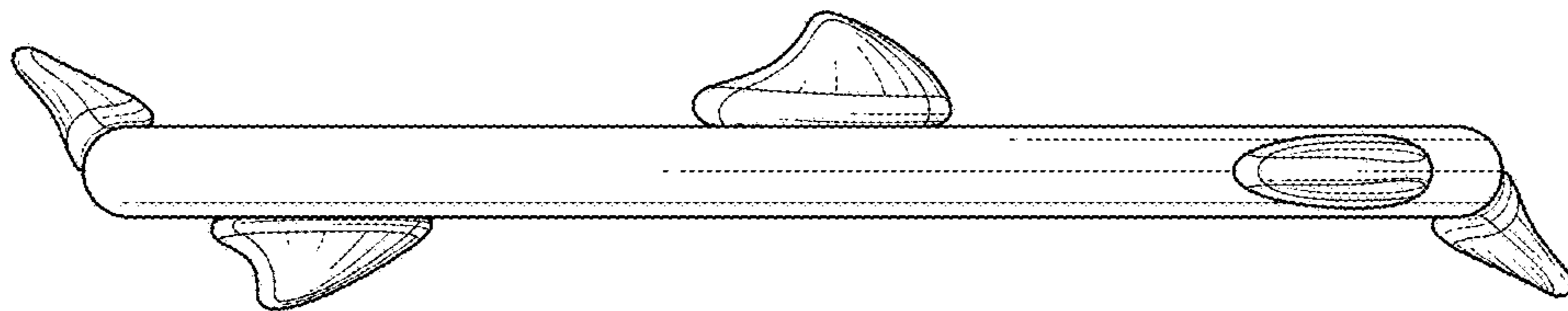


FIG. 14