



US00D834439S

(12) **United States Design Patent** (10) **Patent No.:** **US D834,439 S**
Monachon (45) **Date of Patent:** **** Nov. 27, 2018**

(54) **TWO PIECE WATCH BAND**
(71) Applicant: **OMEGA LTD.**, Biel/Bienne (CH)
(72) Inventor: **Jean-Claude Monachon**, Bevaix (CH)
(73) Assignee: **Omega Ltd**, Biel/Bienne (CH)
(**) Term: **15 Years**
(21) Appl. No.: **29/617,651**

(22) Filed: **Sep. 15, 2017**

(30) **Foreign Application Priority Data**

Mar. 15, 2017 (WO) DM/095 365

(51) **LOC (11) Cl.** **11-01**

(52) **U.S. Cl.**
USPC **D11/3**

(58) **Field of Classification Search**
USPC D10/31, 32, 38, 39, 46, 70; D11/1-25,
D11/86, 87; D14/344
CPC A44C 5/12; A44C 5/14; A44C 5/18; A44C
5/0053; A44C 5/0069; A44C 5/0076;
A44C 5/00; A44C 5/0007; A44C 5/0015;
A44C 5/0023; A44C 5/003; A44C
5/0061; A44C 5/147; A44C 5/185; A44C
5/2407; A44C 5/2052; G04B 37/00;
G04B 37/1486; A44B 11/006; A44B
11/24

See application file for complete search history.

(56) **References Cited**

U.S. PATENT DOCUMENTS

D324,341 S * 3/1992 Houlihan D10/32
D345,926 S * 4/1994 Houlihan D10/32

D387,692 S * 12/1997 Hanagata D11/3
D395,244 S * 6/1998 Riley D10/32
D401,181 S * 11/1998 Houlihan D11/3
D446,467 S * 8/2001 Lepeu D11/3
D711,760 S * 8/2014 Savoy D10/32
D757,567 S * 5/2016 Henderson D10/30
D785,482 S * 5/2017 Schwamkrug D11/3
D798,183 S * 9/2017 Monachon D11/3
D799,361 S * 10/2017 Monachon D11/3
D821,247 S * 6/2018 Lean D11/3
2017/0027508 A1* 2/2017 Nakayama A61B 5/681

* cited by examiner

Primary Examiner — Kevin K Rudzinski

Assistant Examiner — Richard Kearney

(74) *Attorney, Agent, or Firm* — Abelman, Frayne & Schwab

(57) **CLAIM**

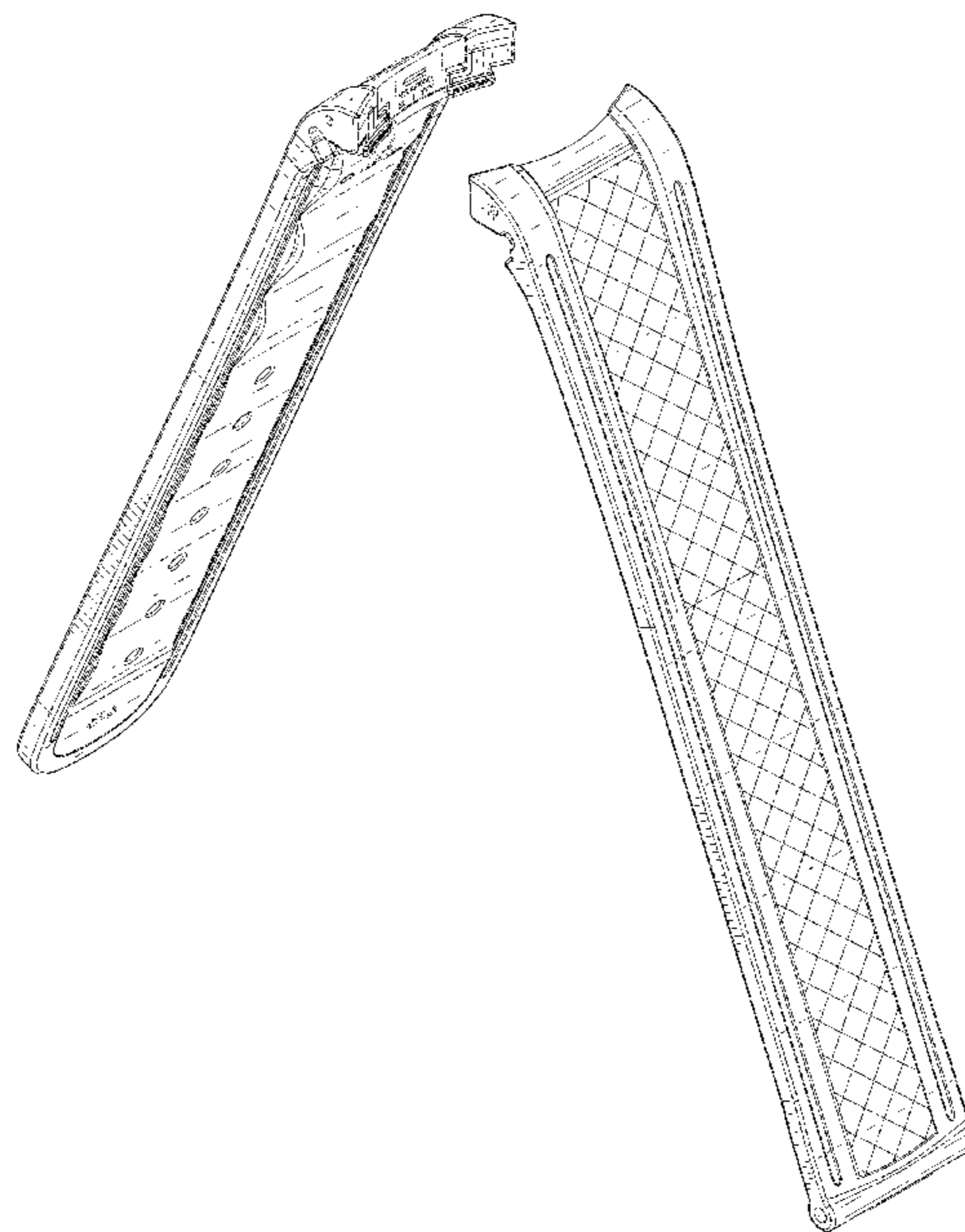
The ornamental design for a two piece watch band, as shown and described.

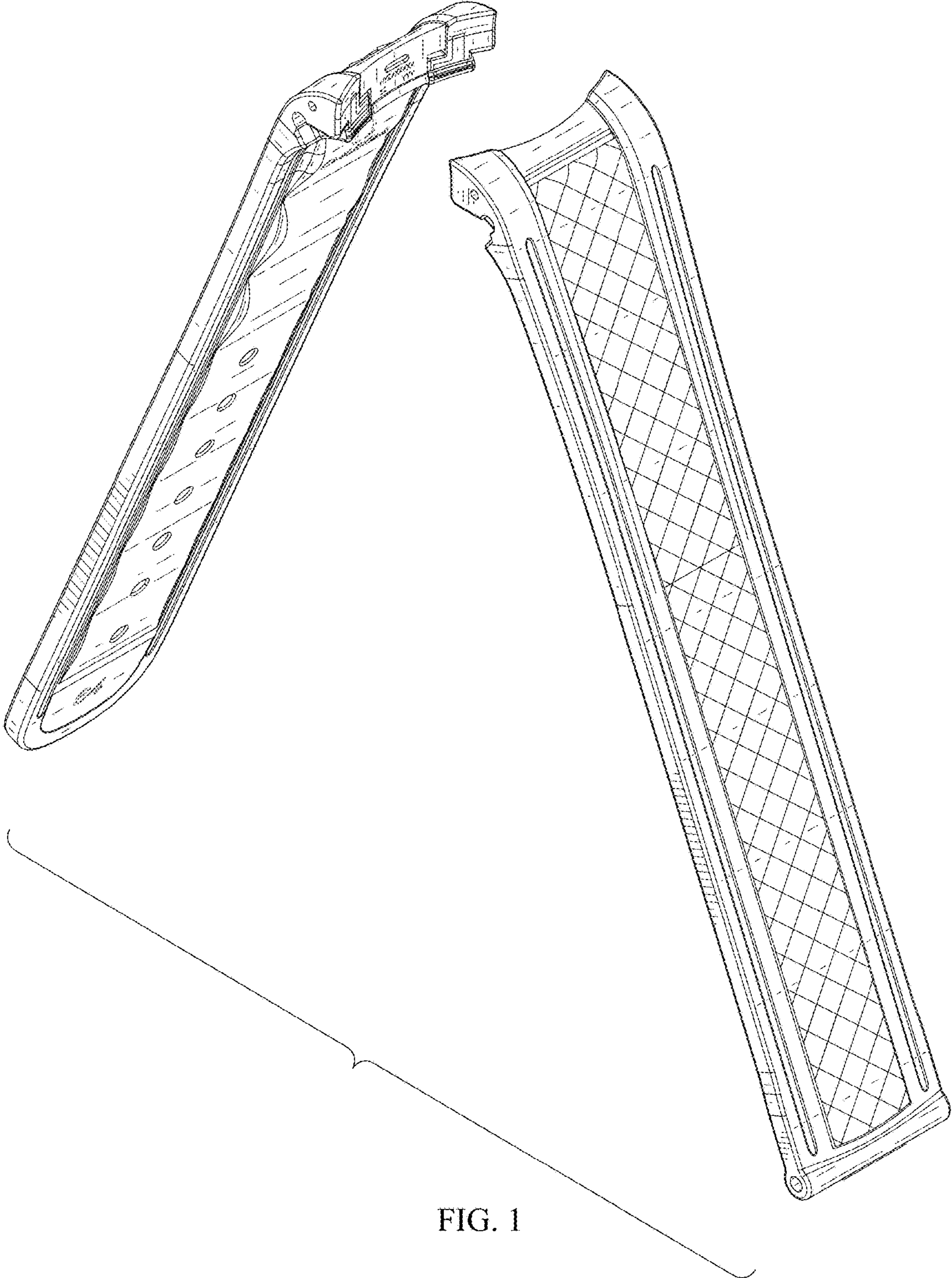
DESCRIPTION

FIG. 1 is a right top perspective view of a two piece watch band showing my new design;
FIG. 2 is a left bottom perspective view thereof;
FIG. 3 is a top view thereof;
FIG. 4 is a bottom view thereof;
FIG. 5 is a right side view thereof;
FIG. 6 is a left side view thereof;
FIG. 7 is a top view of the two piece watch band laying flat thereof; and,
FIG. 8 is a bottom view of the two piece watch band laying flat thereof.

The portions of the two piece watch band shown in broken lines form no part of the claimed design.

1 Claim, 6 Drawing Sheets





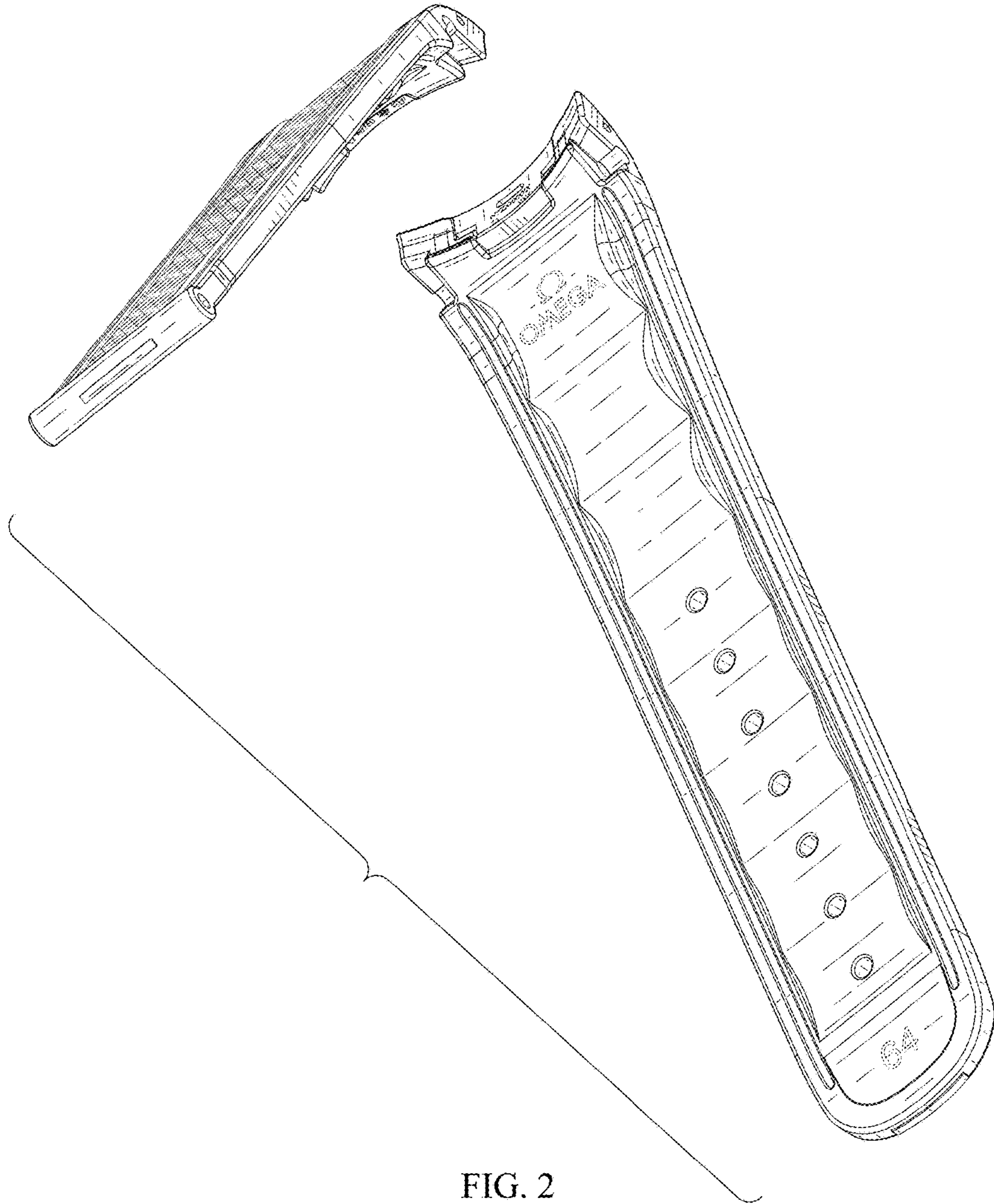


FIG. 2

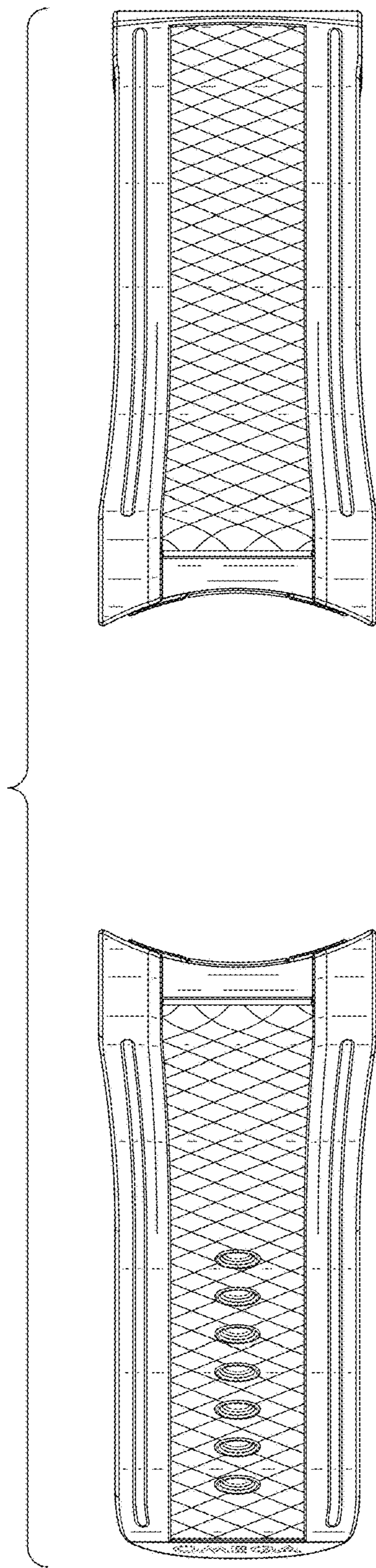


FIG. 3

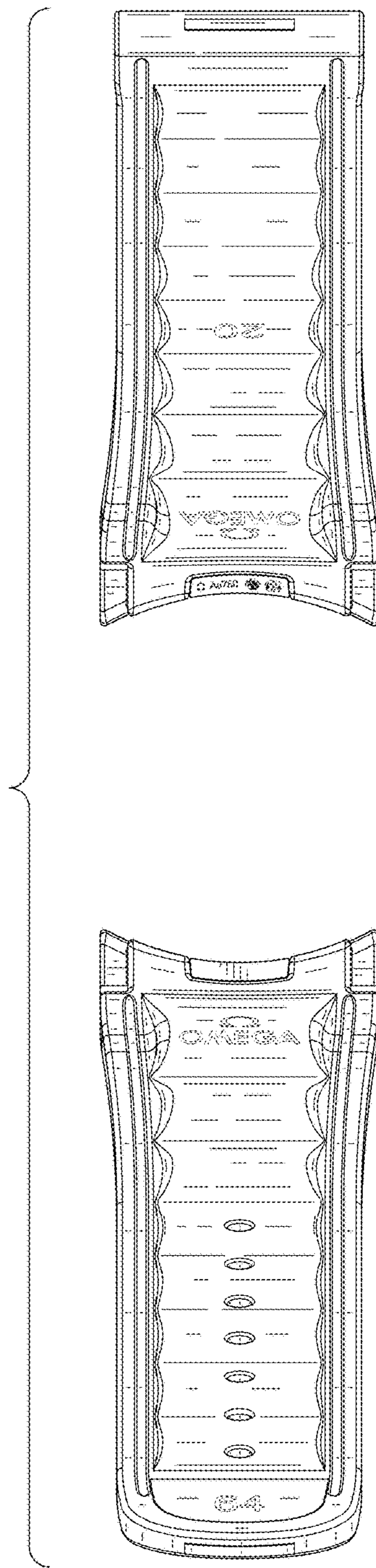


FIG. 4

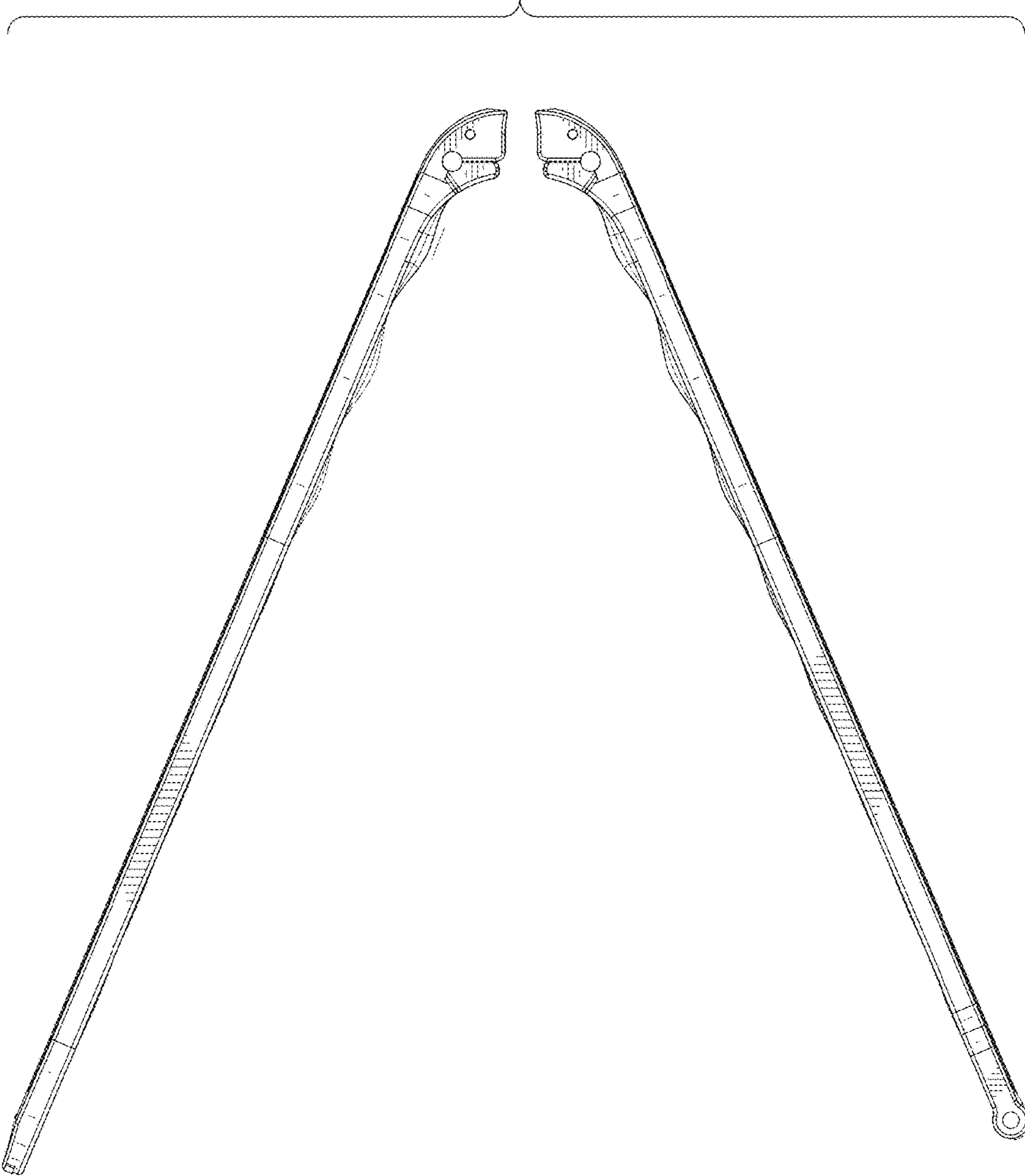


FIG. 5

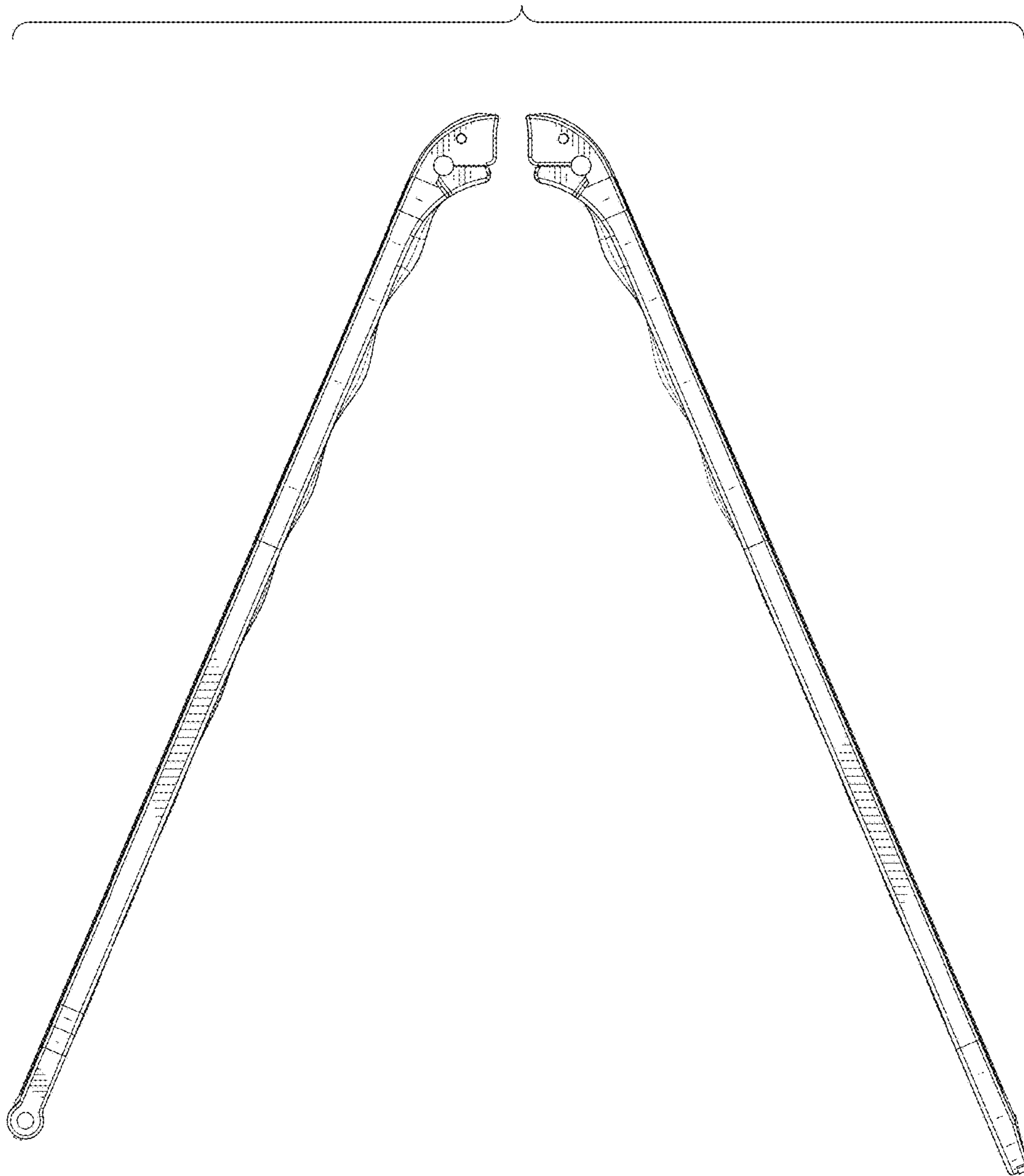


FIG. 6

