



US00D834435S

(12) **United States Design Patent** (10) **Patent No.:** **US D834,435 S**  
**Raghukumar** (45) **Date of Patent:** **\*\* Nov. 27, 2018**

(54) **FLOWMETER**

(71) Applicant: **ABB Schweiz AG**, Baden (CH)

(72) Inventor: **Nv Raghukumar**, Mysore (IN)

(73) Assignee: **ABB Schweiz AG**, Baden (CH)

(\*\*) Term: **15 Years**

(21) Appl. No.: **29/605,928**

(22) Filed: **May 31, 2017**

(30) **Foreign Application Priority Data**

Dec. 1, 2016 (IN) ..... 289005

(51) **LOC (11) Cl.** ..... **10-04**

(52) **U.S. Cl.**  
USPC ..... **D10/96**

(58) **Field of Classification Search**  
USPC ..... D10/96  
CPC ..... G01F 1/40; G01F 1/42; G01F 1/44; G01F 1/46; G01F 1/74; G01F 11/003; G01F 11/006; G01N 21/03; G01N 21/05; G01N 2021/0378; G01N 2021/0382; G01N 2021/052; G01N 2021/054; G01N 2021/056; G01N 2021/058

See application file for complete search history.

(56) **References Cited**

U.S. PATENT DOCUMENTS

D744,363 S \* 12/2015 Betsinger ..... D10/101

\* cited by examiner

*Primary Examiner* — Antoine Duval Davis

(74) *Attorney, Agent, or Firm* — Barnes & Thornburg LLP

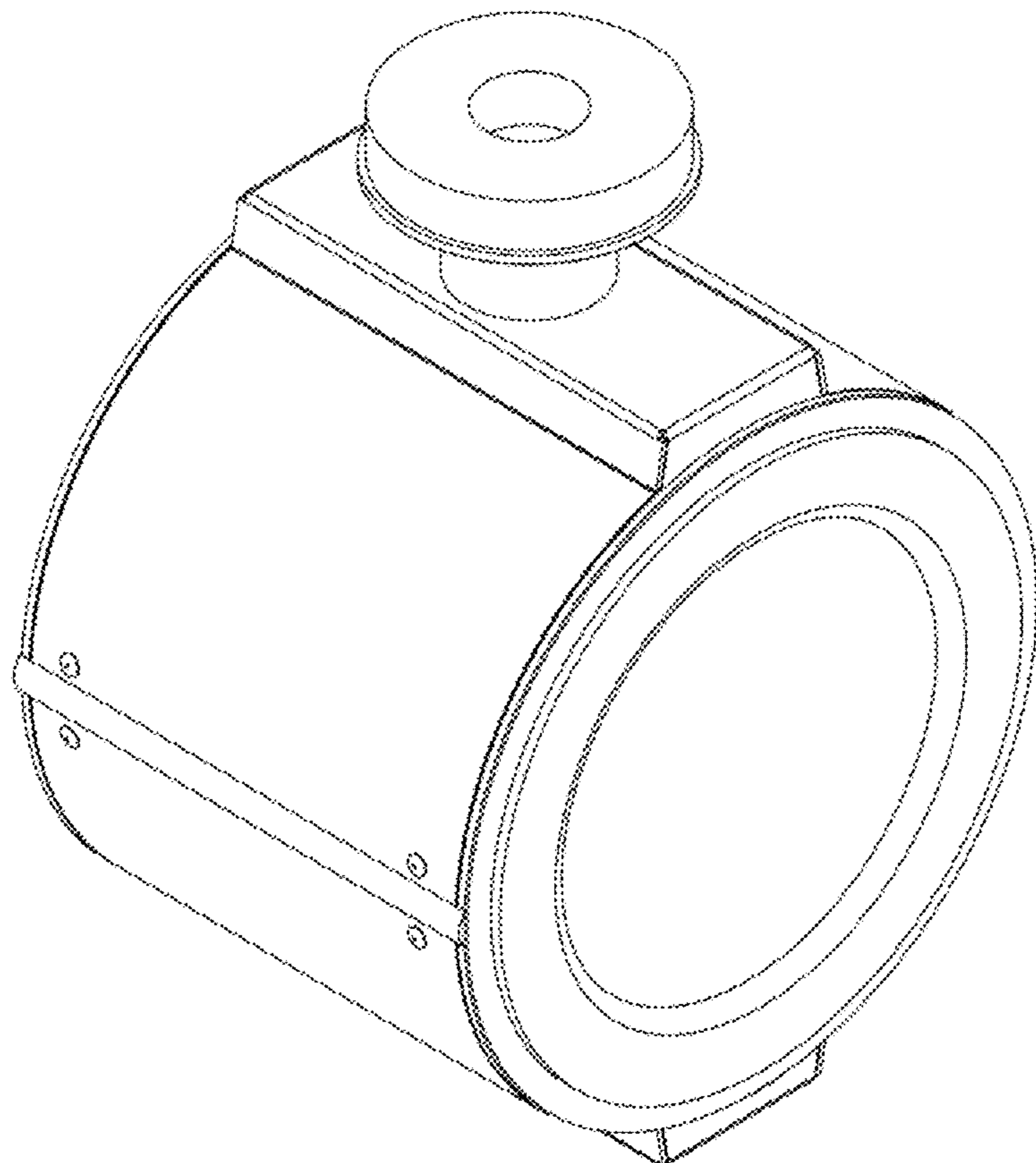
(57) **CLAIM**

The ornamental design for a flowmeter, as shown and described.

**DESCRIPTION**

FIG. 1 is a front perspective view of a design of a flowmeter; FIG. 2 is a front elevation view of the flowmeter of FIG. 1; FIG. 3 is a rear elevation view of the flowmeter of FIG. 1; FIG. 4 is a first side elevation view of the flowmeter of FIG. 1; FIG. 5 is a second side elevation view of the flowmeter of FIG. 1; FIG. 6 is a top plan view of the flowmeter of FIG. 1; and, FIG. 7 is a bottom plan view of the flowmeter of FIG. 1.

**1 Claim, 7 Drawing Sheets**



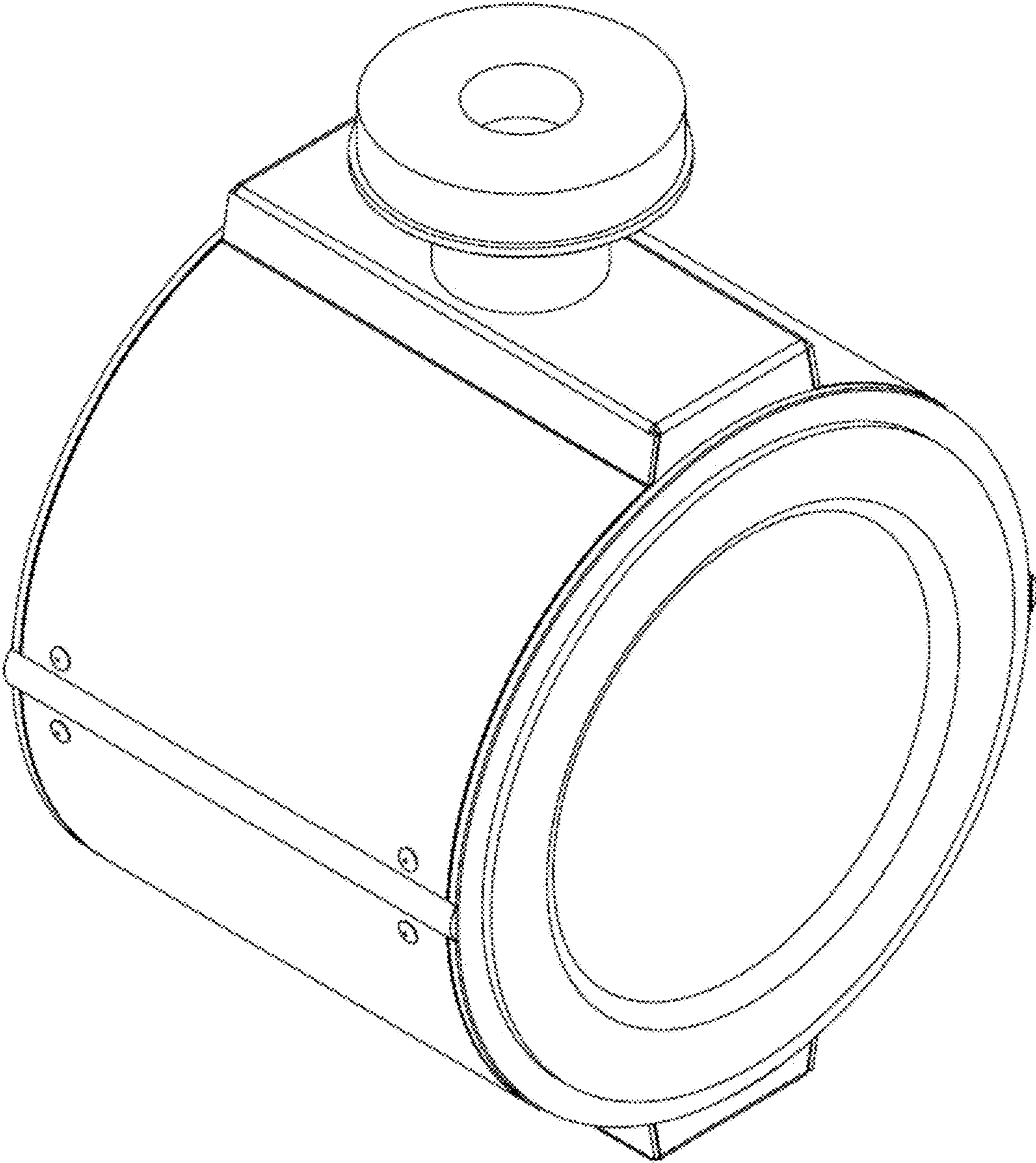


FIG. 1

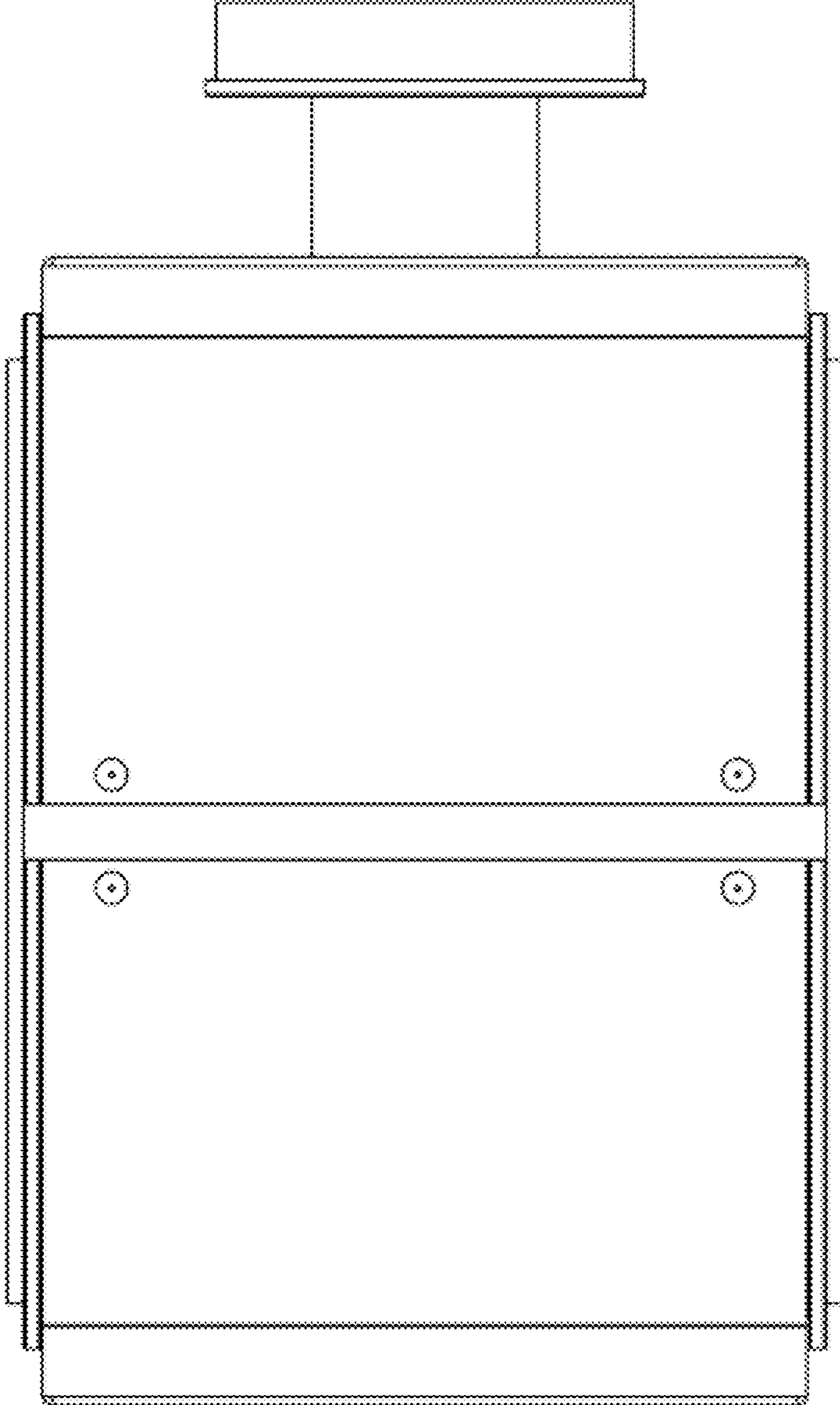


FIG. 2

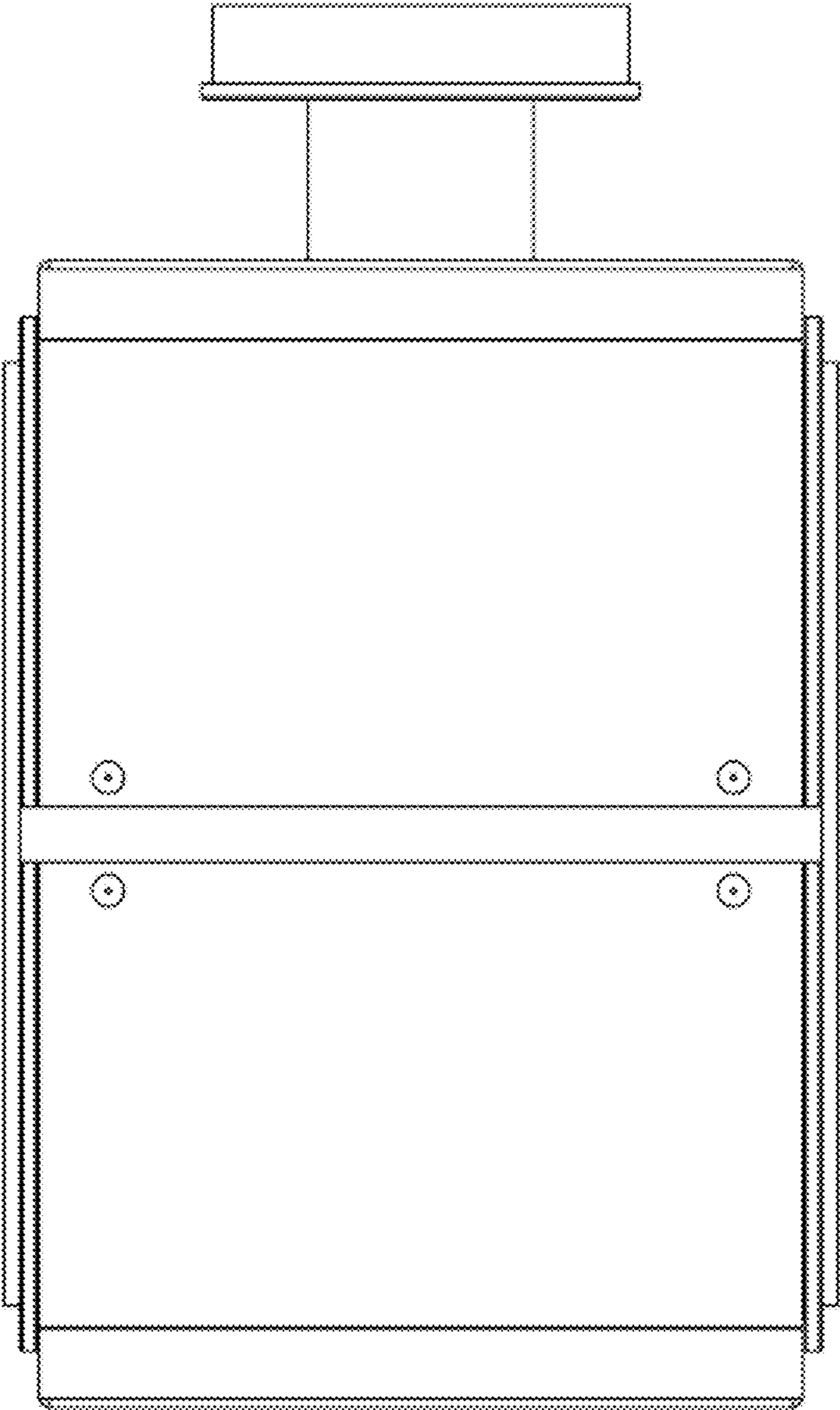


FIG. 3

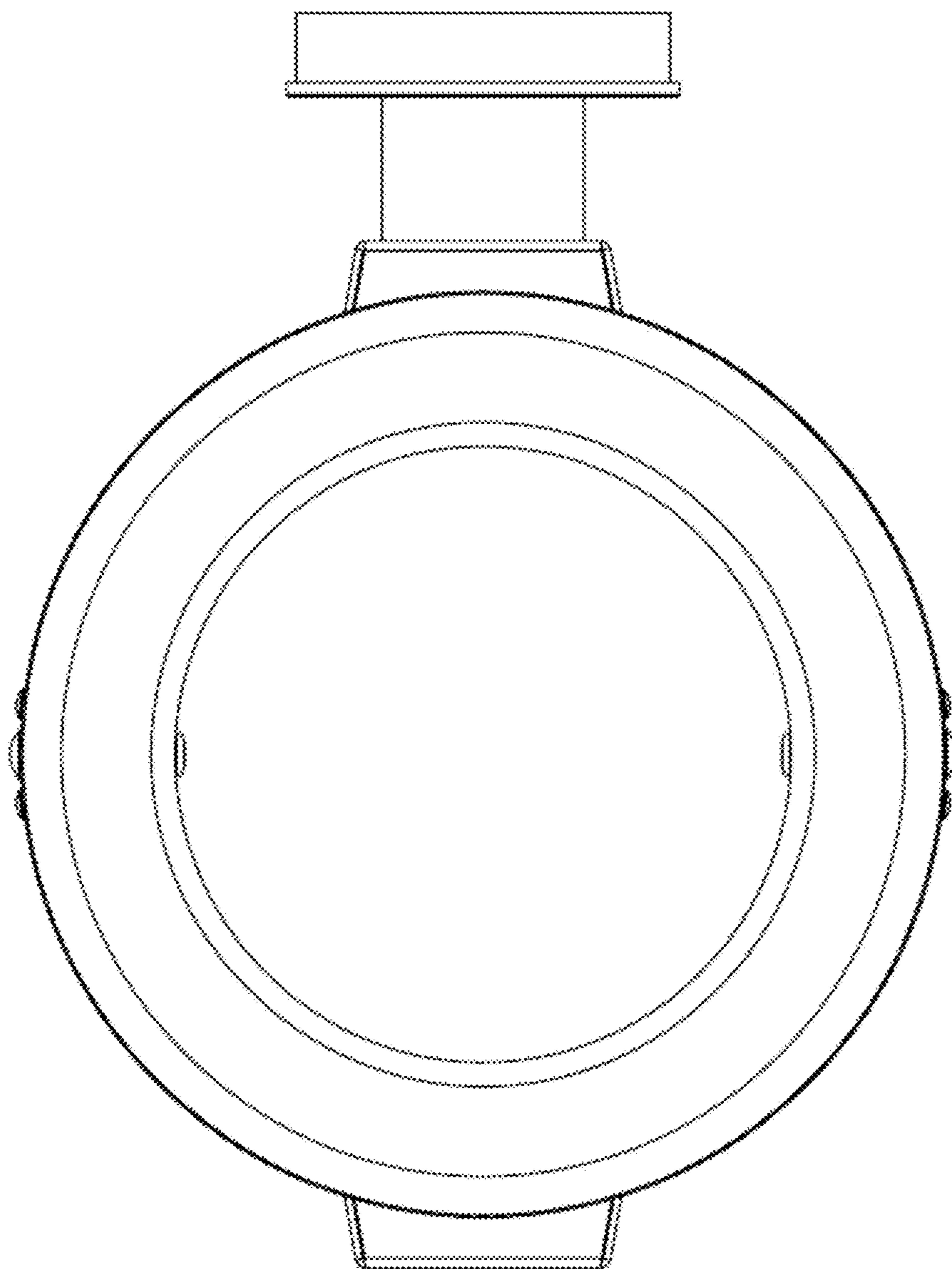


FIG. 4

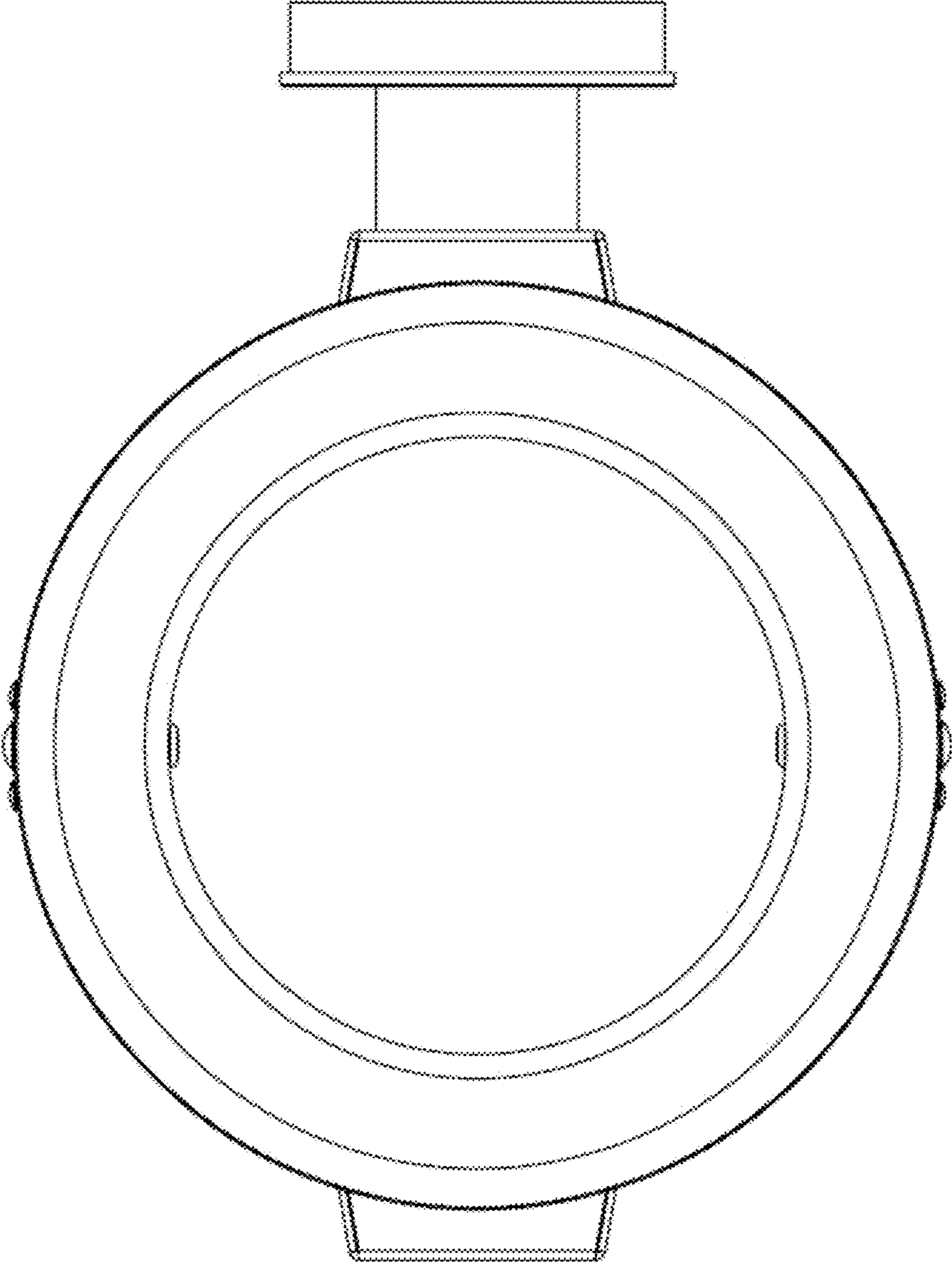


FIG. 5

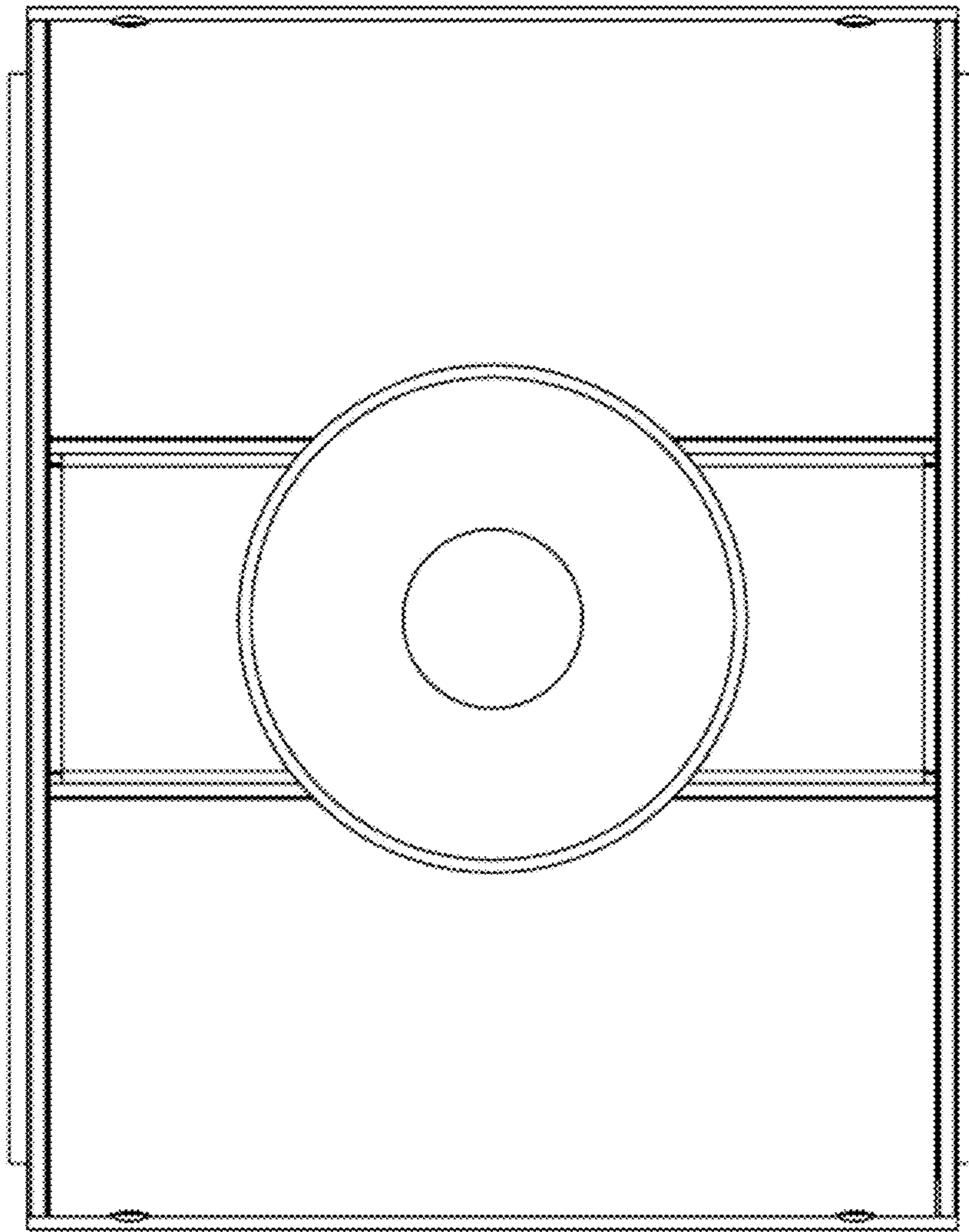


FIG. 6

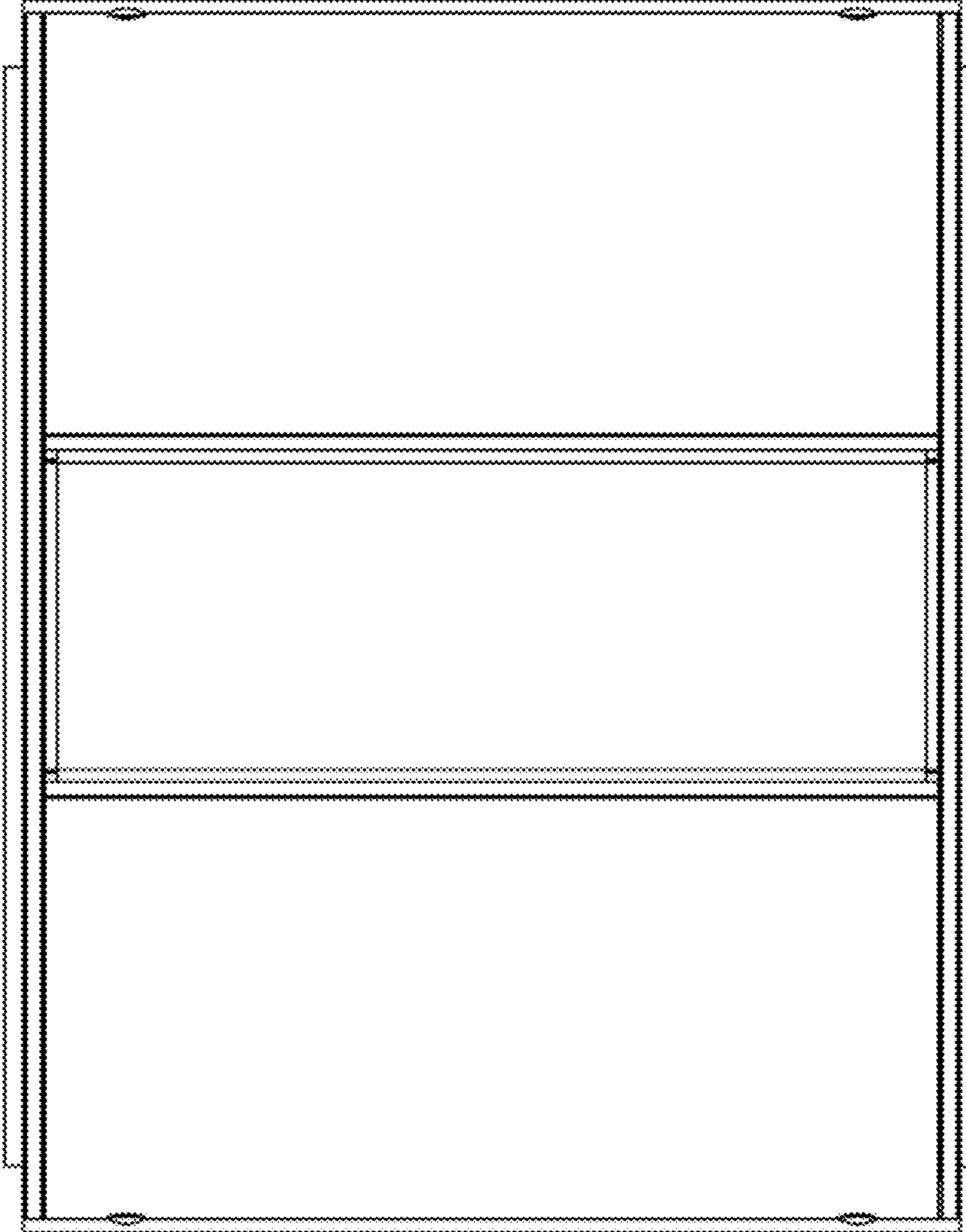


FIG. 7