



US00D834432S

(12) **United States Design Patent**
Wang

(10) **Patent No.:** **US D834,432 S**

(45) **Date of Patent:** **** Nov. 27, 2018**

(54) **AUTO DIAGNOSTIC TOOLS**

5/0833; G07C 5/0841; G07C 5/085;
G07C 5/0858; G07C 5/0866; G07C
5/0875; G07C 5/0883; G07C 5/0891;
G07C 5/10

(71) Applicant: **Shenzhen Bonor Technologies Co. Ltd.**, Shenzhen, Guangdong Province (CN)

See application file for complete search history.

(72) Inventor: **Yushan Wang**, Shenzhen (CN)

(56) **References Cited**

(73) Assignee: **Shenzhen Bonor Technologies Co., Ltd.**, Shenzhen (CN)

U.S. PATENT DOCUMENTS

(**) Term: **15 Years**

D625,209 S * 10/2010 Chen D10/78
D625,210 S * 10/2010 Chen D10/78
D646,188 S * 10/2011 Chen D10/78
D677,185 S * 3/2013 Zhou D10/78

(21) Appl. No.: **29/606,355**

* cited by examiner

(22) Filed: **Jun. 3, 2017**

Primary Examiner — Antoine Duval Davis

(30) **Foreign Application Priority Data**

(74) *Attorney, Agent, or Firm* — Bay State IP, LLC

Dec. 29, 2016 (CN) 2016 3 0655248

(51) **LOC (11) Cl.** **10-04**

(52) **U.S. Cl.**
USPC **D10/78**

(58) **Field of Classification Search**

USPC D10/78

CPC G01L 19/08; G01L 19/083; G01L 19/086;
G01L 19/10; G01L 19/12; G01L 19/14;
G01L 19/141; G01L 19/142; G01L
19/143; G01L 19/144; G01L 19/45; G01L
19/146; G01L 19/147; G01L 19/148;
G01L 19/149; G01L 19/16; G07C 5/00;
G07C 5/002; G07C 5/004; G07C 5/006;
G07C 5/008; G07C 5/02; G07C 5/04;
G07C 5/06; G07C 5/08; G07C 5/0808;
G07C 5/0816; G07C 5/0825; G07C

(57) **CLAIM**

The ornamental design for an auto diagnostic tools, as shown and described.

DESCRIPTION

FIG. 1 is a front perspective view of the auto diagnostic tools my new design;

FIG. 2 is a back perspective view thereof;

FIG. 3 is a front view thereof;

FIG. 4 is a back view thereof;

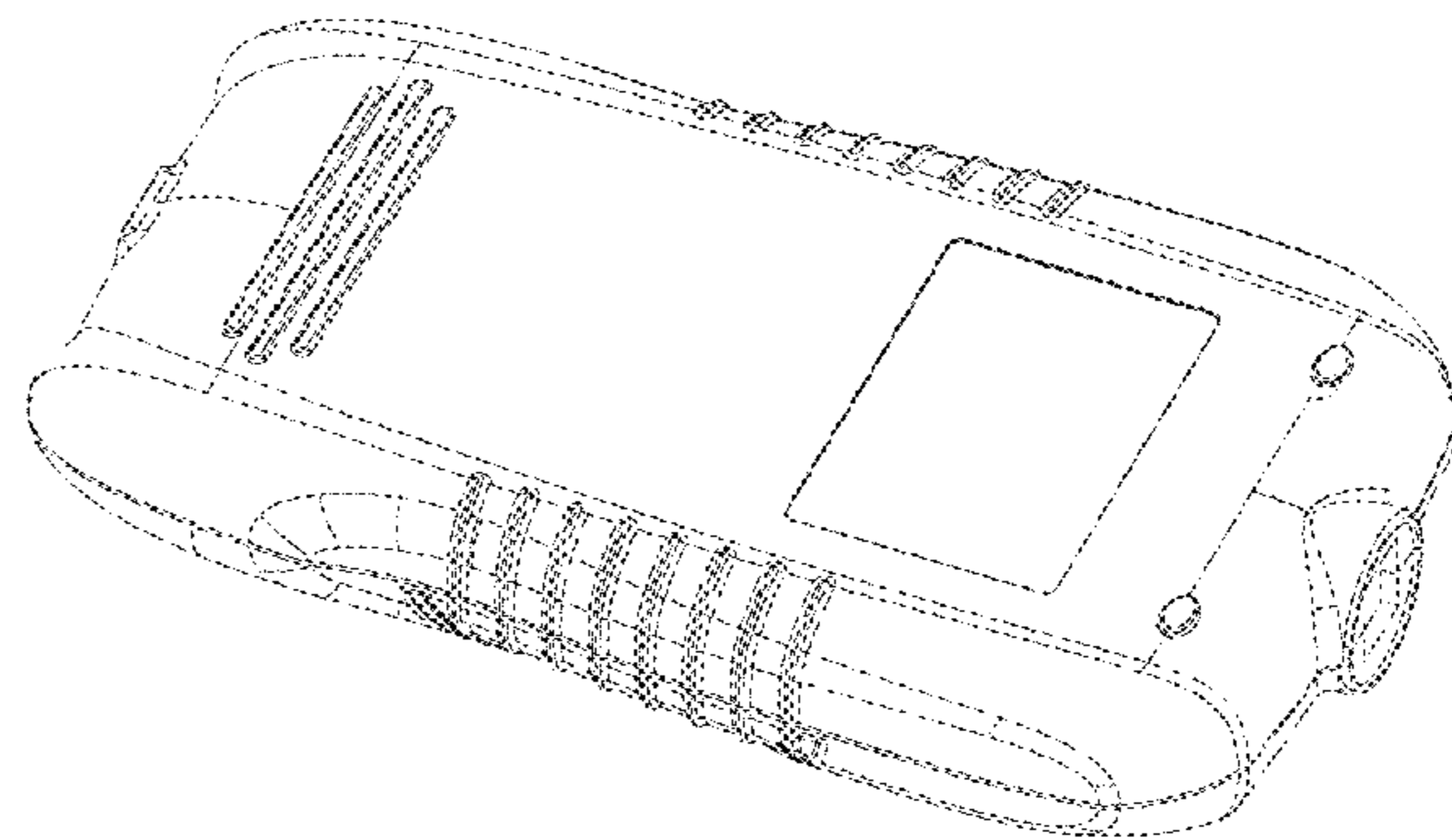
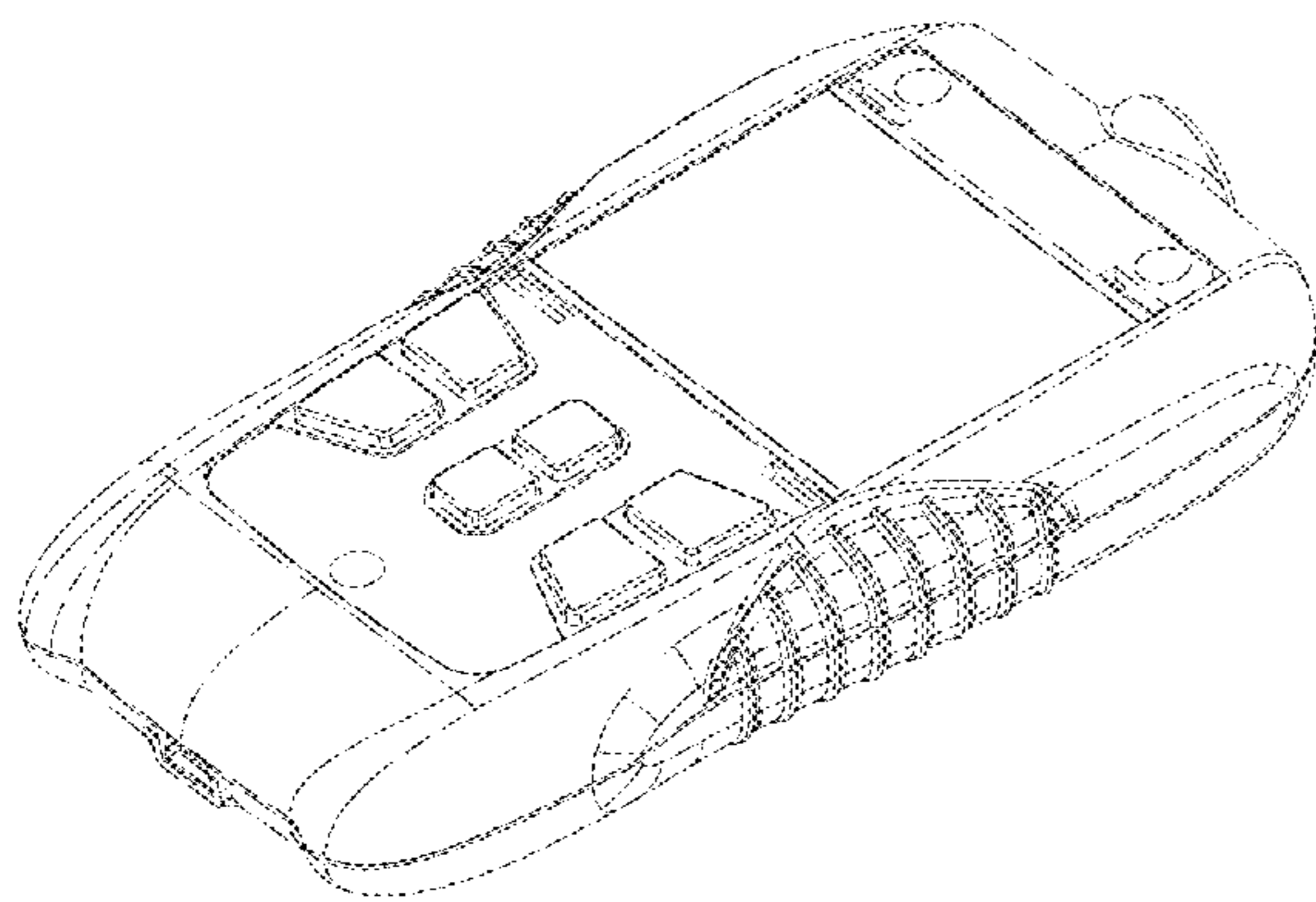
FIG. 5 is a left side view thereof;

FIG. 6 is a right side view thereof;

FIG. 7 is a top view thereof; and,

FIG. 8 is a bottom perspective view.

1 Claim, 6 Drawing Sheets



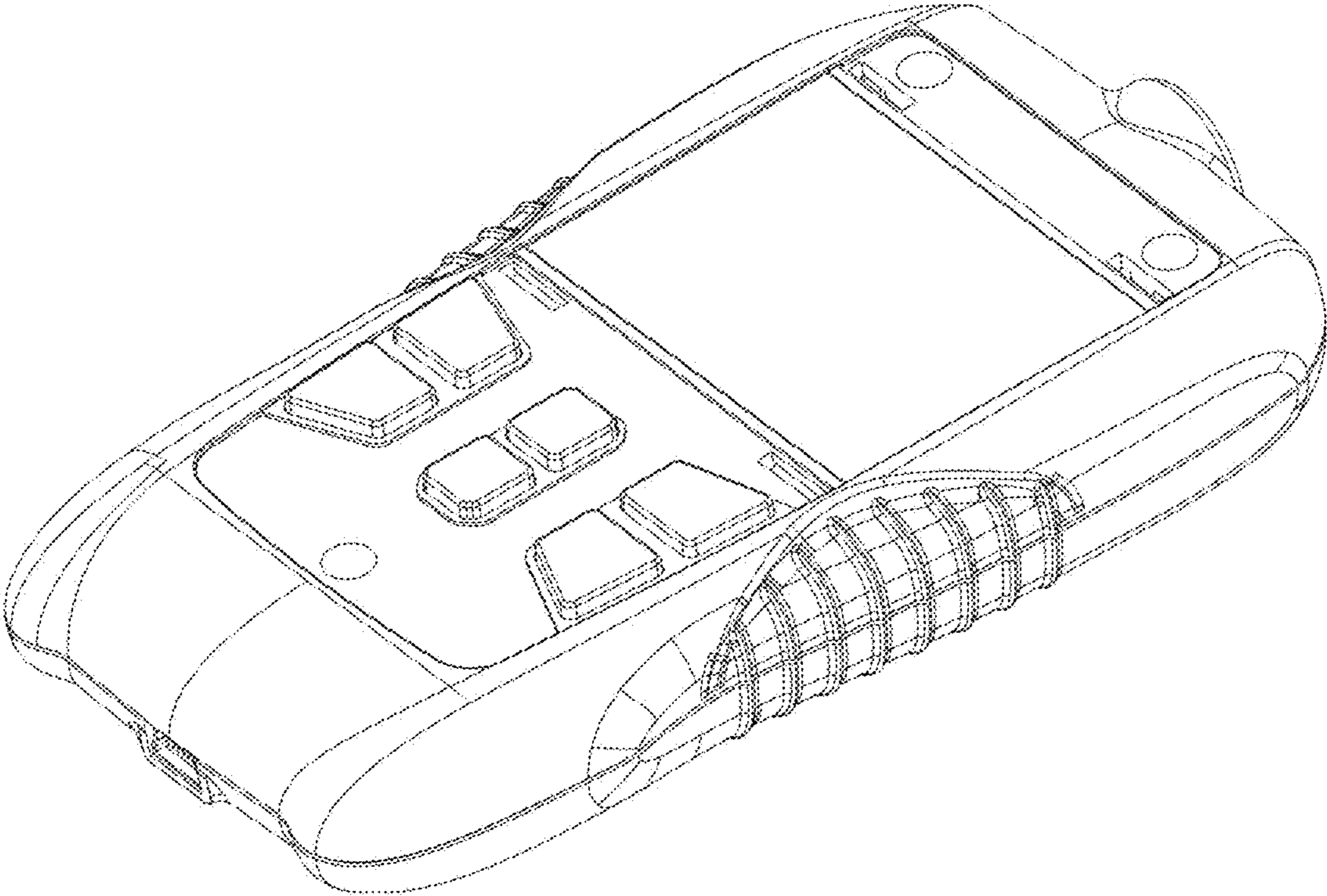


FIG. 1

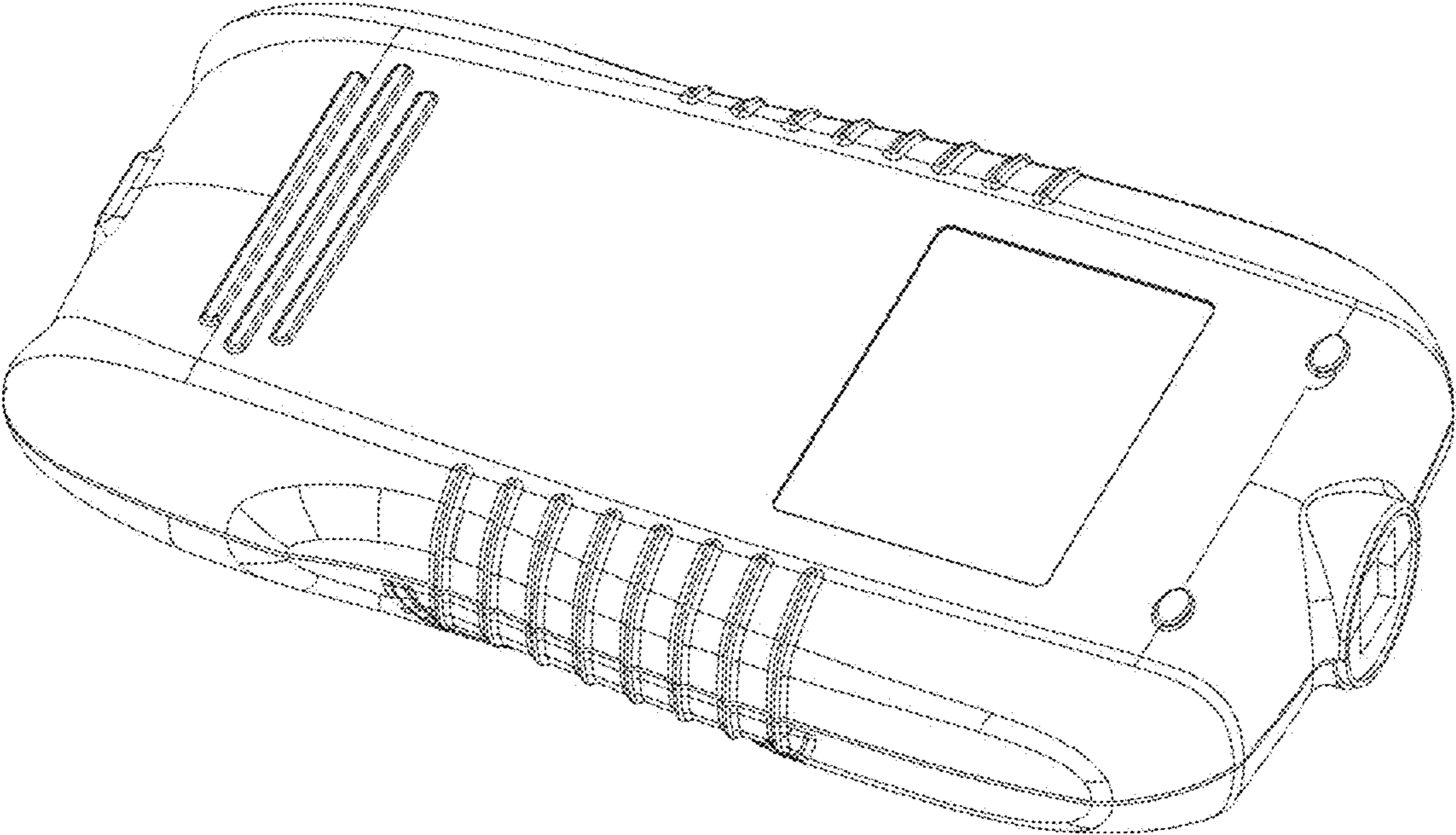


FIG. 2

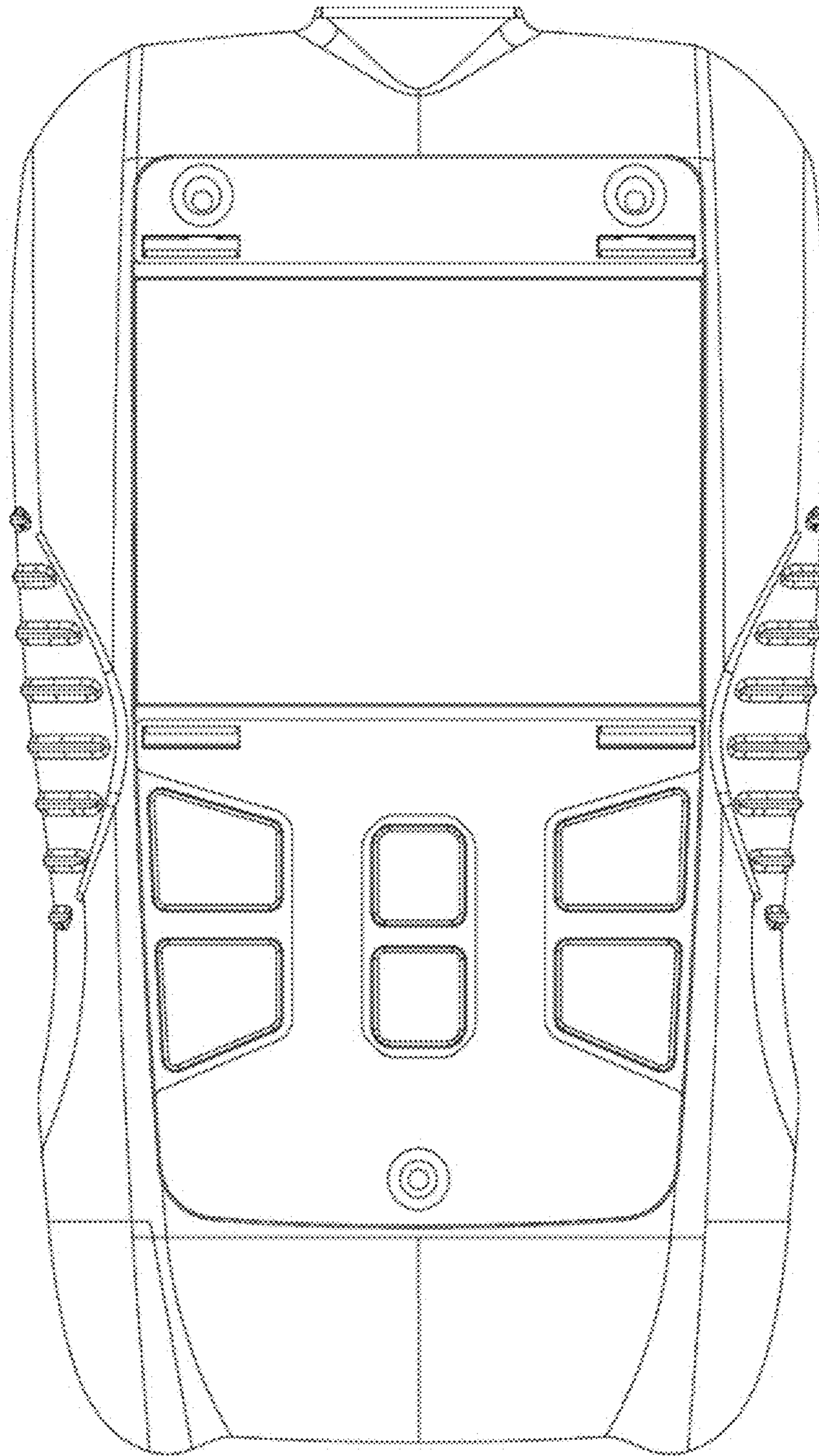


FIG. 3

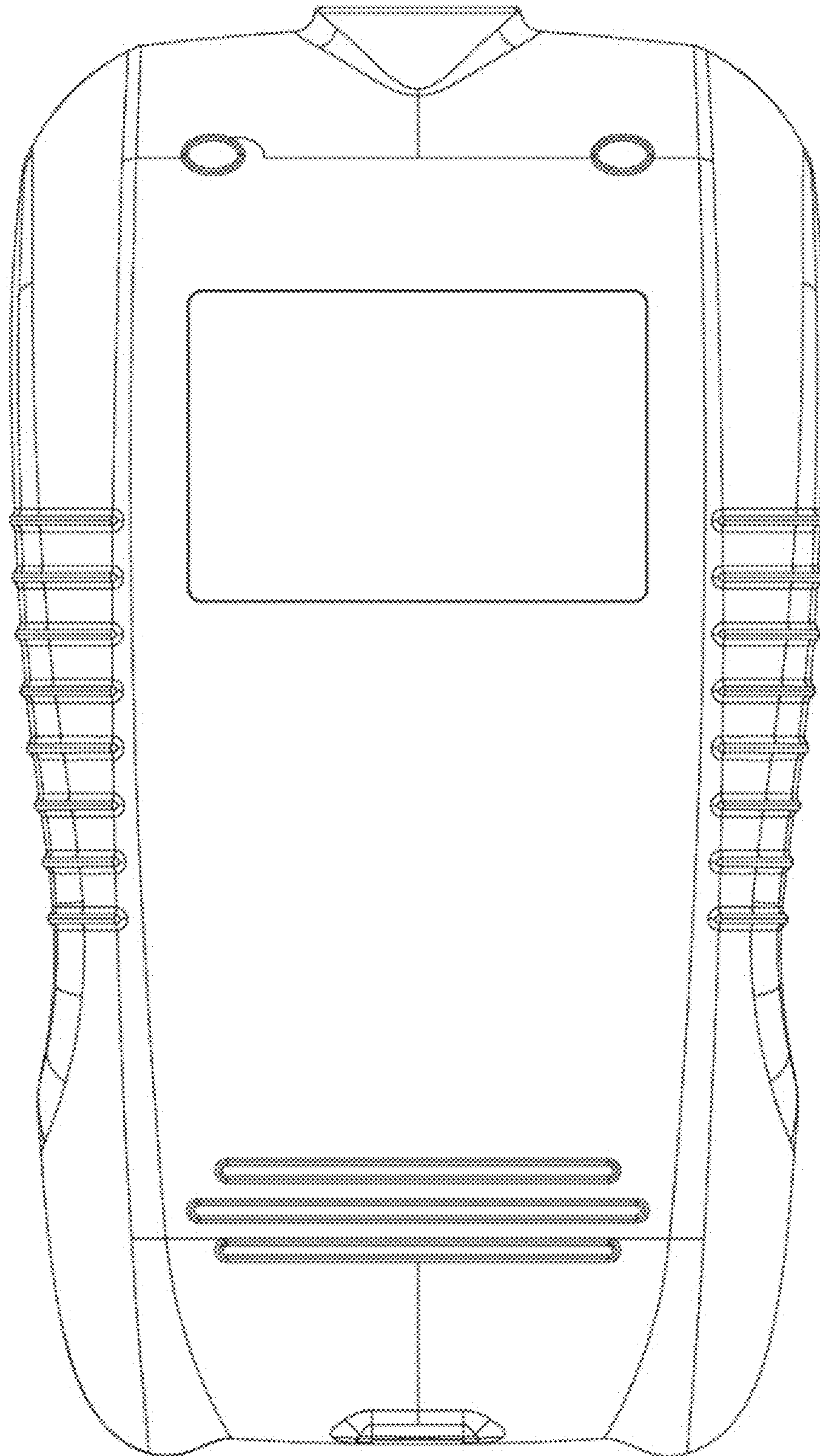


FIG. 4

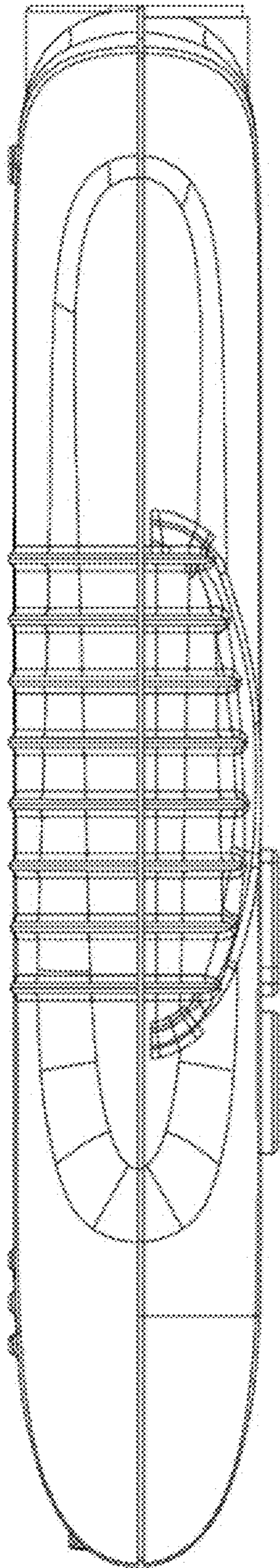


FIG. 5

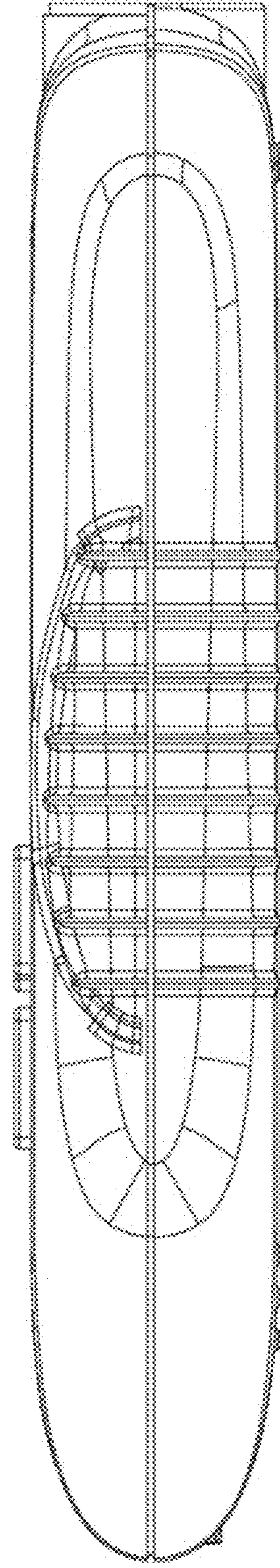


FIG. 6

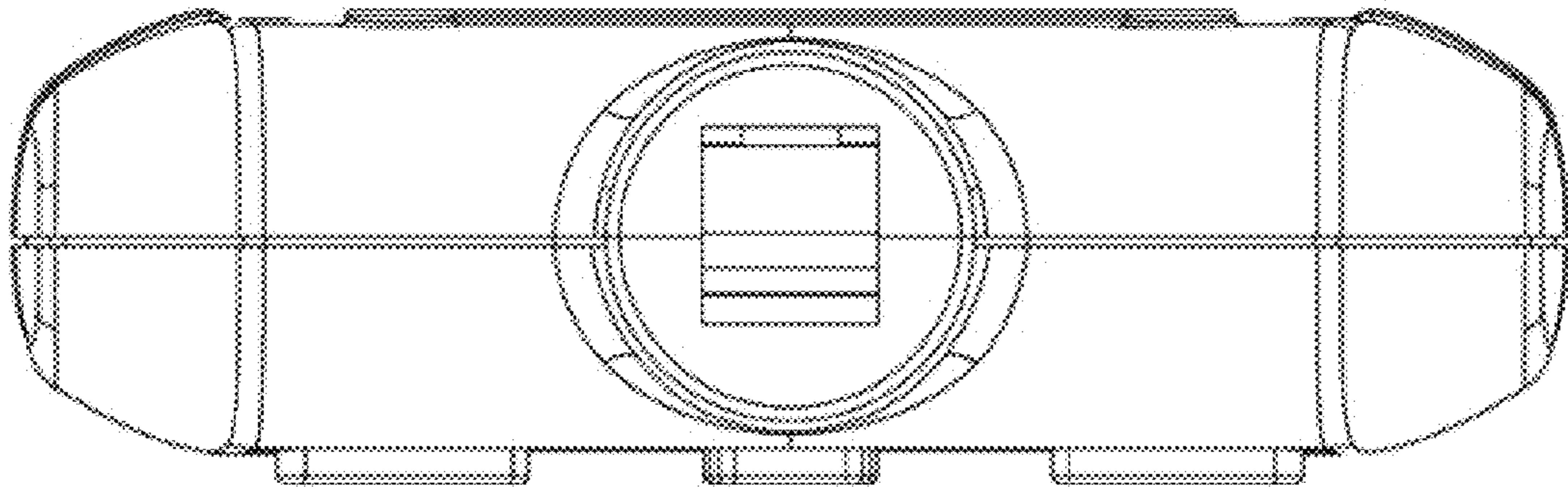


FIG. 7

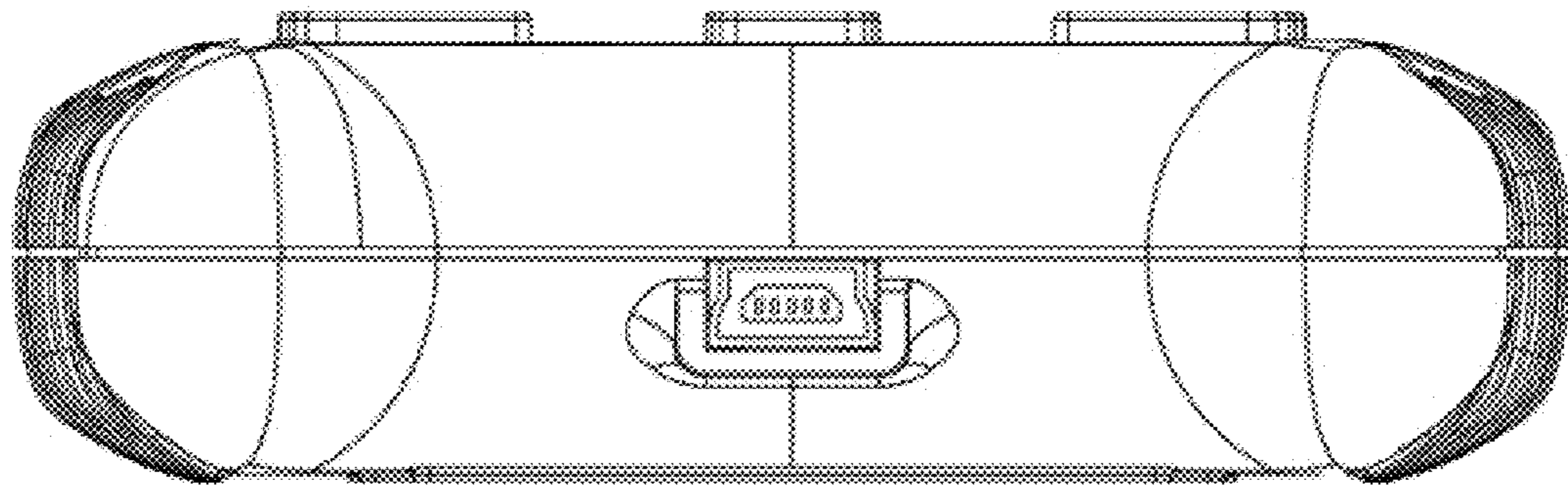


FIG. 8