



US00D834431S

(12) **United States Design Patent**  
**Galli**

(10) **Patent No.:** **US D834,431 S**

(45) **Date of Patent:** **\*\* Nov. 27, 2018**

(54) **WRIST WATCH**

(71) Applicant: **Salvatore Ferragamo S.p.A.**, Florence (IT)

(72) Inventor: **Giorgio Galli**, Milan (IT)

(73) Assignee: **SALVATORE FERRAGAMO S.P.A.**, Florence (IT)

(\*\*) Term: **15 Years**

(21) Appl. No.: **29/623,114**

(22) Filed: **Oct. 23, 2017**

**Related U.S. Application Data**

(62) Division of application No. 35/501,239, filed on Jan. 20, 2016 (U.S. filing date under 35 U.S.C. 384), and having an international filing date of Jan. 20, 2016, now Pat. No. Des. 804,967.

(30) **Foreign Application Priority Data**

Jan. 20, 2016 (WO) ..... DM/089865

(51) **LOC (11) Cl.** ..... **10-02**

(52) **U.S. Cl.**  
USPC ..... **D10/39**

(58) **Field of Classification Search**

USPC ..... D10/30-32, 38-39  
See application file for complete search history.

(56) **References Cited**

**U.S. PATENT DOCUMENTS**

D756,244 S \* 5/2016 Bastian ..... D10/132  
D759,511 S \* 6/2016 Belamich ..... D10/126  
D779,342 S \* 2/2017 Lintz ..... D10/30

\* cited by examiner

*Primary Examiner* — George D. Kirschbaum

(74) *Attorney, Agent, or Firm* — Lucas & Mercanti, LLP

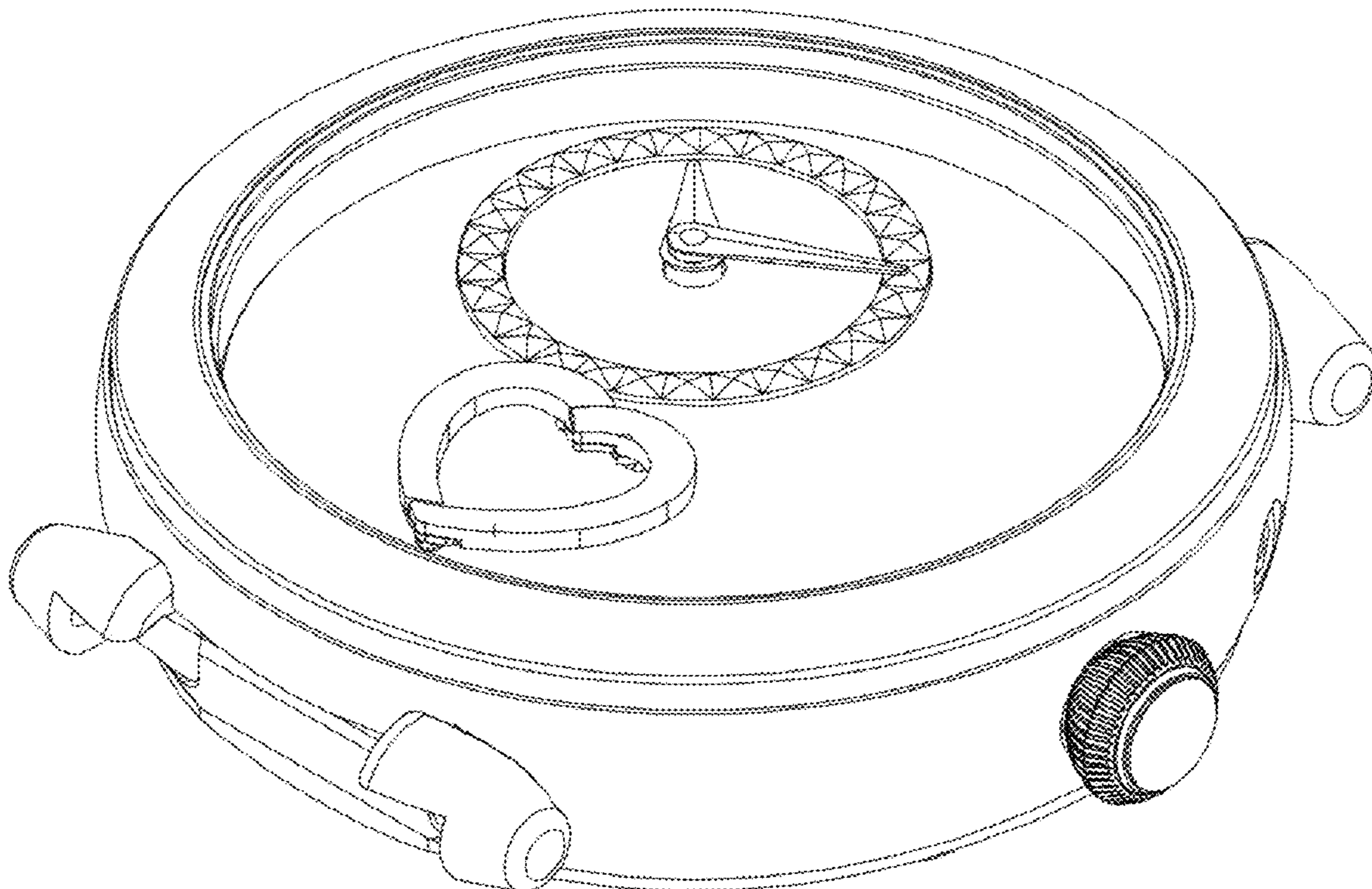
(57) **CLAIM**

The ornamental design for a wrist watch, as shown and described.

**DESCRIPTION**

FIG. 1 is a front perspective view of the wrist watch according to the design;  
FIG. 2 is a top view thereof;  
FIG. 3 is a bottom view thereof;  
FIG. 4 is a first side view thereof;  
FIG. 5 is a second side side view thereof; and,  
FIG. 6 is a back view thereof.

**1 Claim, 6 Drawing Sheets**



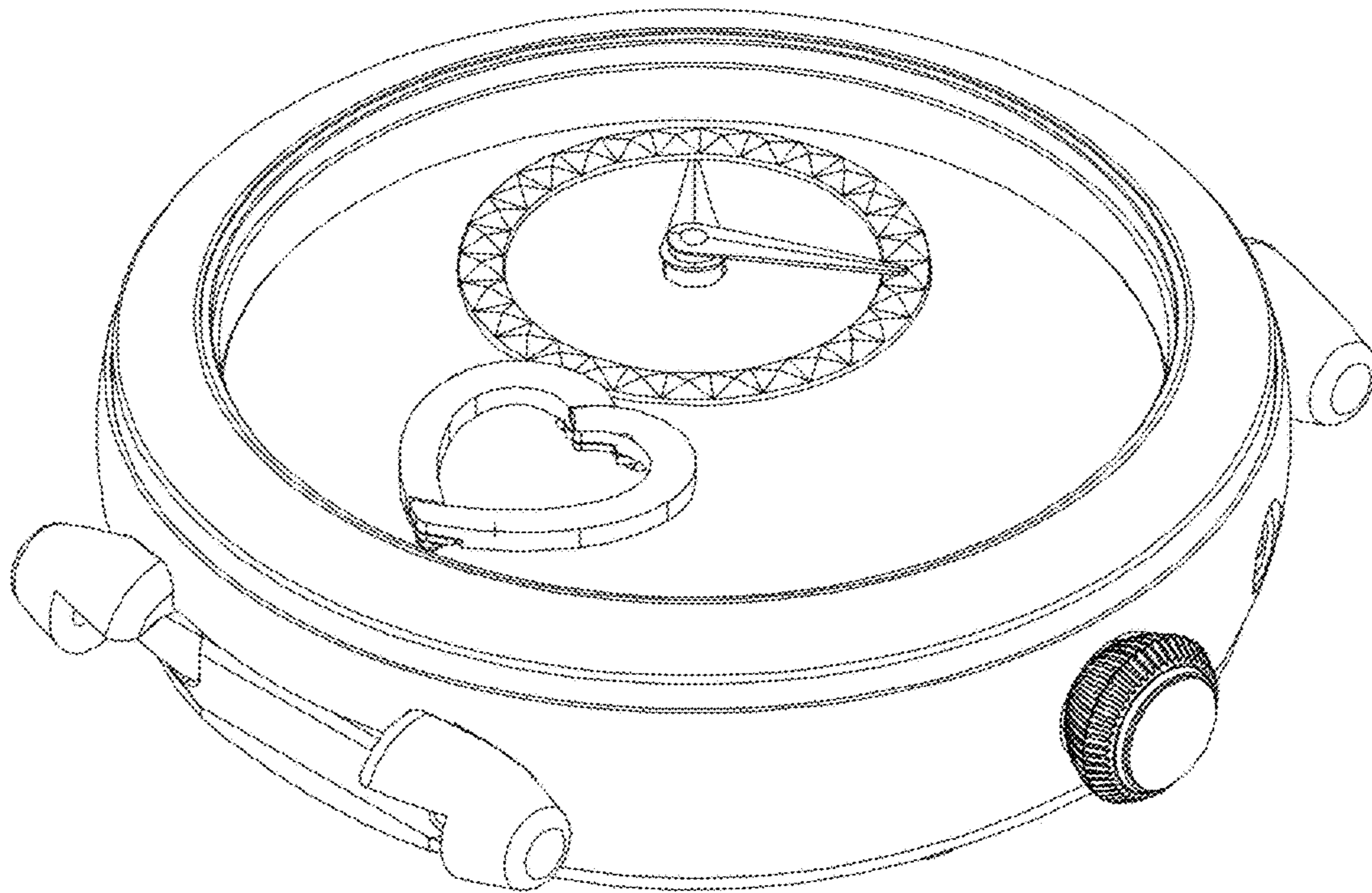


FIGURE 1

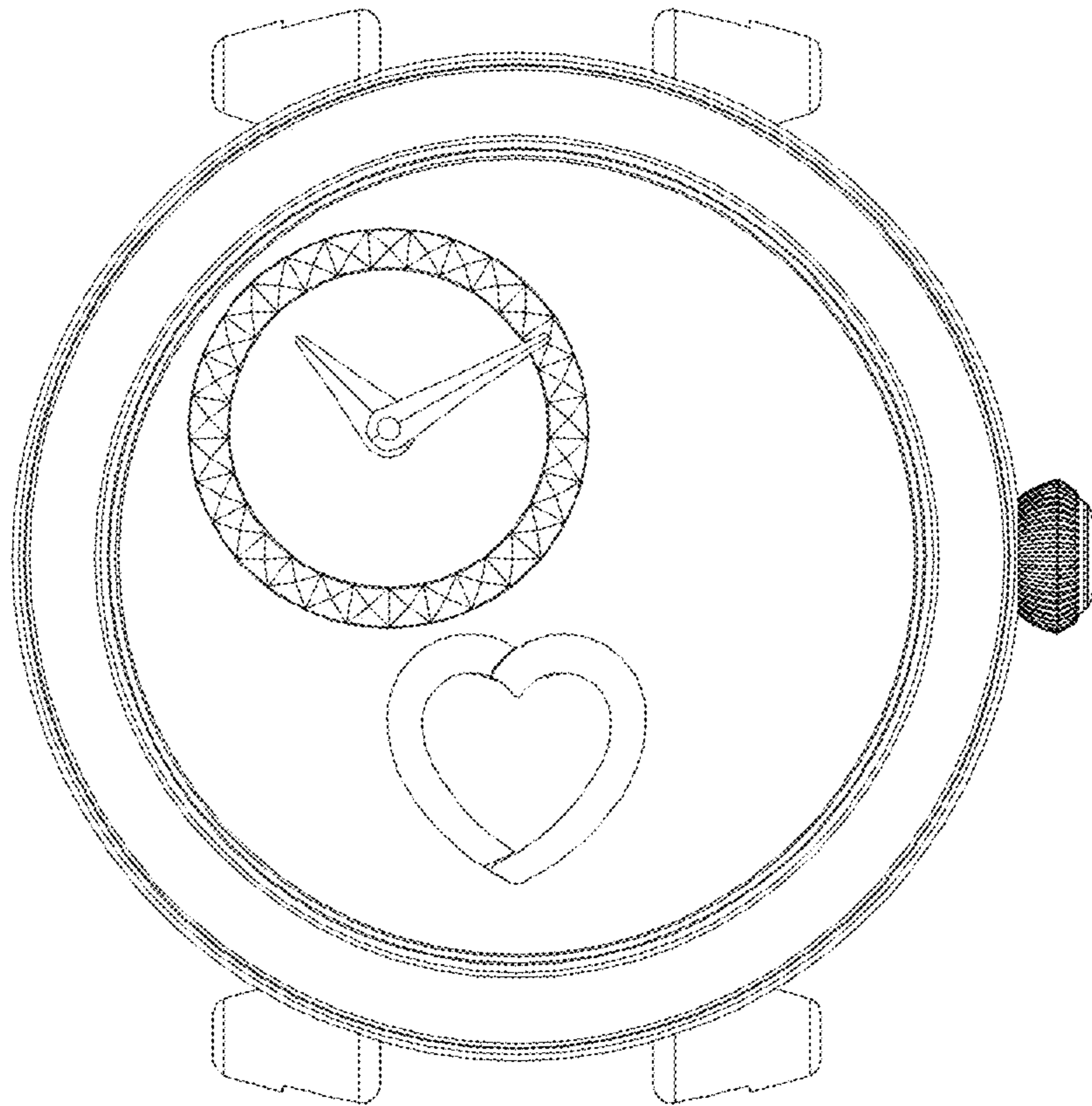


FIGURE 2



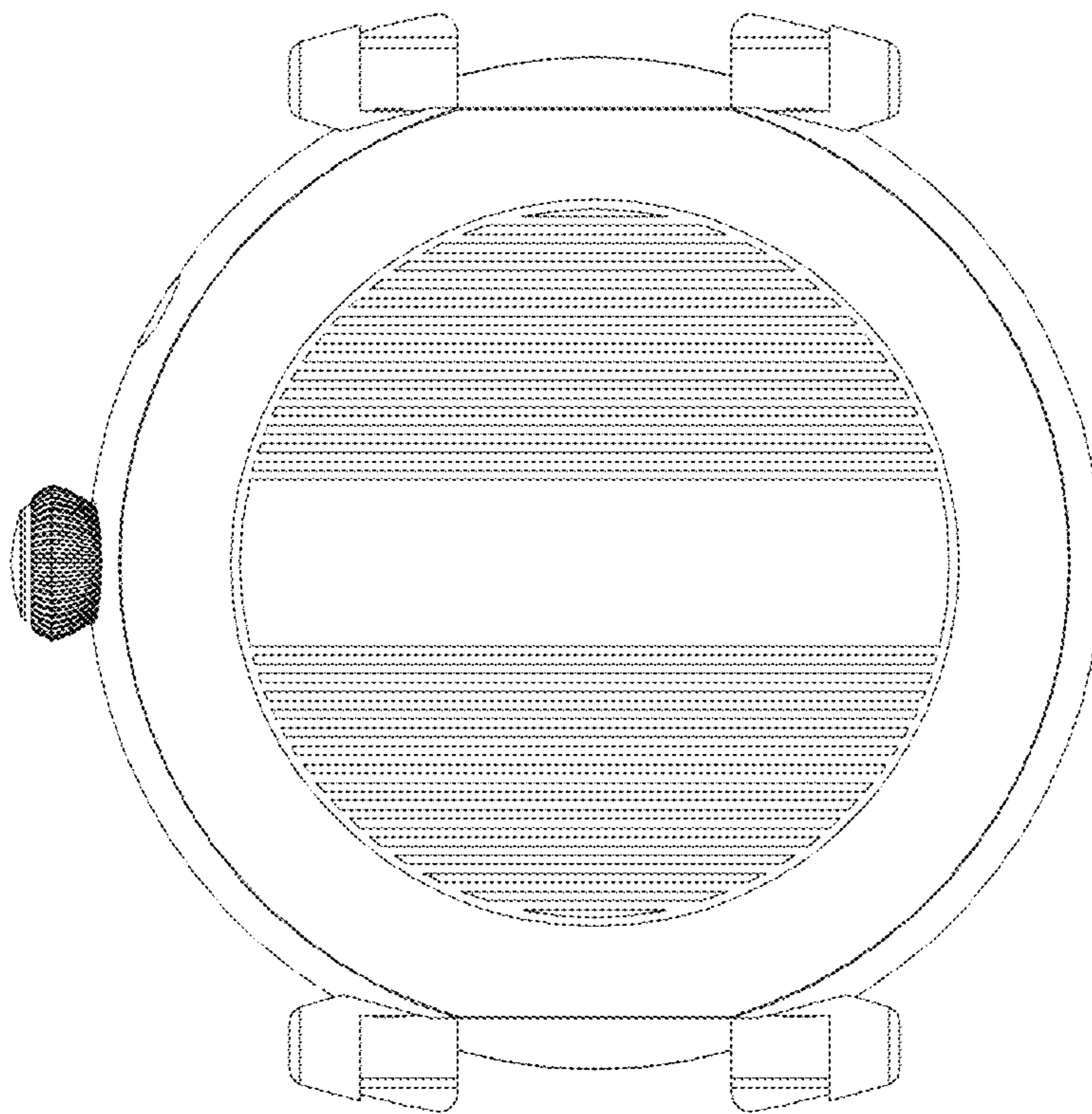


FIGURE 3

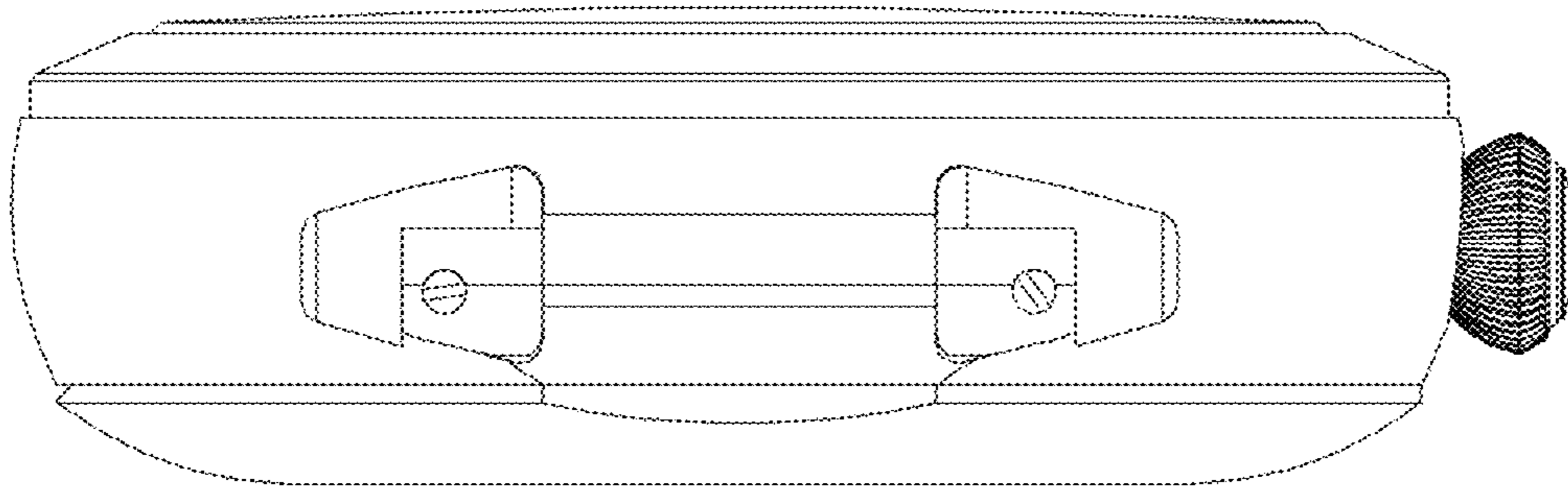


FIGURE 4

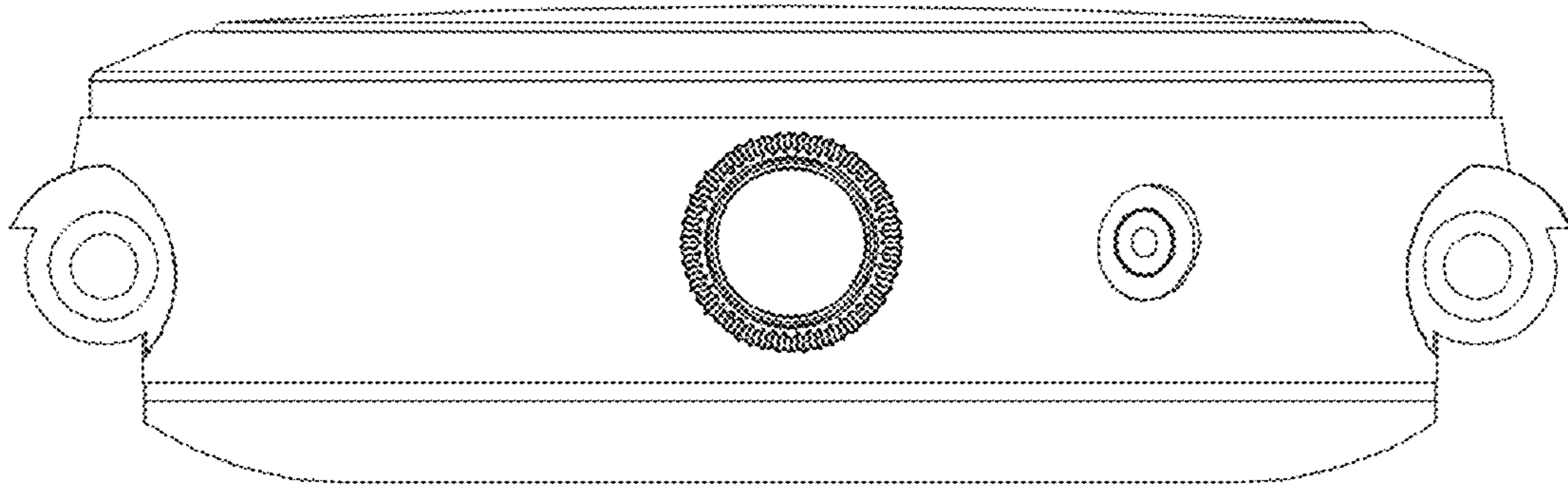


FIGURE 5

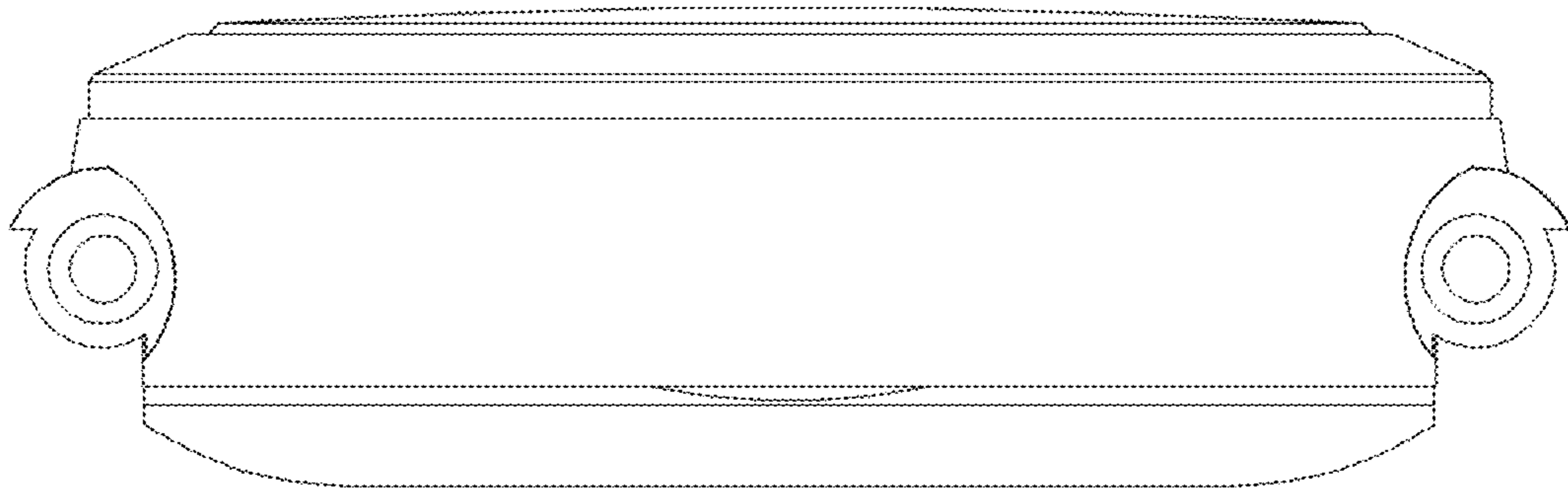


FIGURE 6