



US00D834429S

(12) **United States Design Patent** (10) **Patent No.:** **US D834,429 S**
Jiang (45) **Date of Patent:** **** Nov. 27, 2018**

(54) **DIGITAL DAY CLOCK**

(71) Applicant: **Zini Jiang**, Hubei (CN)

(72) Inventor: **Zini Jiang**, Hubei (CN)

(73) Assignee: **Zini Jiang**, Daye (CN)

(**) Term: **15 Years**

(21) Appl. No.: **29/594,000**

(22) Filed: **Feb. 14, 2017**

(51) **LOC (11) Cl.** **10-01**

(52) **U.S. Cl.**

USPC **D10/3; D10/15; D14/171; D14/172**

(58) **Field of Classification Search**

USPC D10/1-3, 6, 14-16, 23, 30-39, 41, 65,
D10/70; D11/3, 14, 31, 52; D14/171,
D14/344; D24/167, 186; D6/308, 310

See application file for complete search history.

(56) **References Cited**

U.S. PATENT DOCUMENTS

D306,143 S *	2/1990	Leung	D10/15
D319,393 S *	8/1991	Wolff	D10/15
D320,564 S *	10/1991	Sharkey	D10/15
D326,055 S *	5/1992	Africk	D10/2
D346,965 S *	5/1994	Wolff	D10/1
D394,161 S *	5/1998	Tsui	D6/300
D408,296 S *	4/1999	Hui	D10/1
D411,229 S *	6/1999	McBeth	D10/15
D423,944 S *	5/2000	Chan	D10/15
D455,565 S *	4/2002	Pozzoli	D6/310
D545,691 S *	7/2007	Bhavnani	D10/15
D561,611 S *	2/2008	Chu	D10/15
D568,055 S *	5/2008	Fernandez	D6/308
D592,863 S *	5/2009	Hoehn	D6/310
D597,321 S *	8/2009	Frankel	D6/310
D600,456 S *	9/2009	Son	D14/371
D610,355 S *	2/2010	Chigira	D14/374
D618,463 S *	6/2010	Nagase	D6/300
D625,928 S *	10/2010	Lee	D6/300

D625,929 S *	10/2010	Mitchell	D14/371
D634,131 S *	3/2011	Utsunomiya	D6/308
D637,822 S *	5/2011	Utsunomiya	D6/308

(Continued)

OTHER PUBLICATIONS

Digital Calendar Day Clock—Memory Loss Clock | posted at amazon.com; earliest review date Aug. 2016 © 1996-2018, Amazon.com, Inc [online][site visited Apr. 4, 2018]. Available from Internet: <https://www.amazon.com/dp/B01GPCLFDC/ref=psdc_3734891_t1_B01MYNKWAE> (Year: 2016).*

(Continued)

Primary Examiner — Sandra S Snapp

Assistant Examiner — Katherine Glennon

(74) *Attorney, Agent, or Firm* — ScienBiziP, P.C.

(57) **CLAIM**

The ornamental design for a digital day clock, as shown and described.

DESCRIPTION

FIG. 1 is a first perspective view of a digital day clock showing my new design;

FIG. 2 is a second perspective view thereof;

FIG. 3 is a third perspective view thereof;

FIG. 4 is a front elevational view thereof;

FIG. 5 is a rear elevational view thereof;

FIG. 6 is a left side view thereof;

FIG. 7 is a right side view thereof;

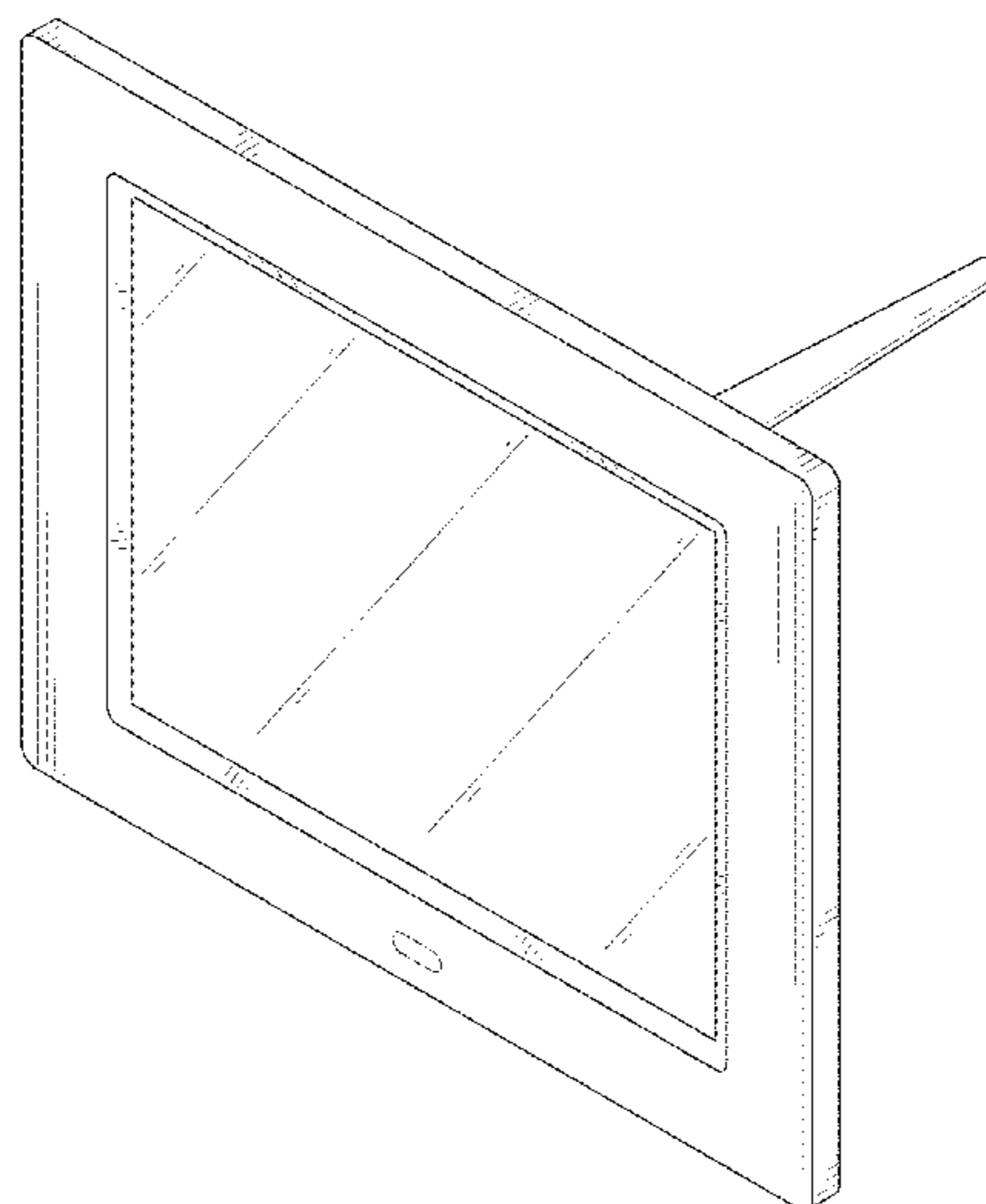
FIG. 8 is a top plan view thereof; and,

FIG. 9 is a bottom plan view thereof.

The broken lines in the drawings illustrate portions of the digital day clock which form no part of the claimed design.

The diagonal lines indicate transparency.

1 Claim, 9 Drawing Sheets



(56)

References Cited

U.S. PATENT DOCUMENTS

D646,902	S *	10/2011	Woo	D6/308
D679,610	S *	4/2013	Kang	D10/24
D693,699	S *	11/2013	Hsu	D10/15
D696,248	S *	12/2013	Lim	D14/341
D744,575	S *	12/2015	Zhan	D16/219
D784,165	S *	4/2017	Nishi	D10/1
D805,309	S *	12/2017	Moyer	D6/308
2008/0150861	A1 *	6/2008	Lu	G06F 1/1601 345/87
2009/0001241	A1 *	1/2009	Tang	F16M 11/10 248/602
2009/0096743	A1 *	4/2009	DalPorto	H04N 1/00127 345/104
2009/0219245	A1 *	9/2009	Frankel	H04N 1/0035 345/104
2009/0262493	A1 *	10/2009	Lee	G06F 1/1601 361/679.21
2011/0102980	A1 *	5/2011	Tittle	G09G 3/20 361/679.01
2012/0057295	A1 *	3/2012	Simpson	G06F 1/1632 361/679.44

OTHER PUBLICATIONS

Memrabel 2 Daily Calendar Clock 1 posted at medpage-ltd.com n.d.
 © 2017 Medpage Ltd [online][site visited Apr. 4, 2018]. Available
 from Internet: <<https://www.medpage-ltd.com/membrabel-2-dementia-clock>> (Year: 2017).*

* cited by examiner

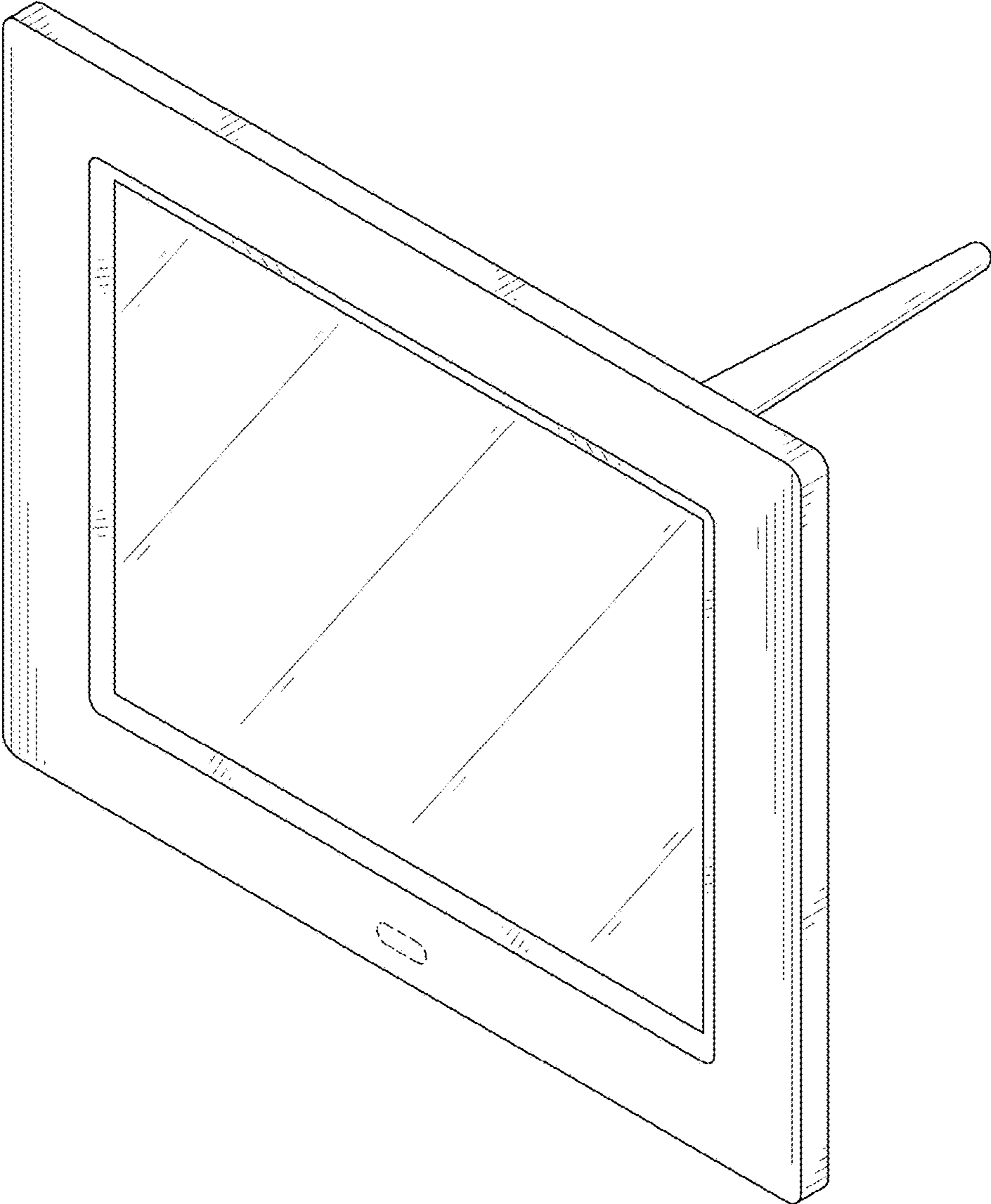


FIG. 1

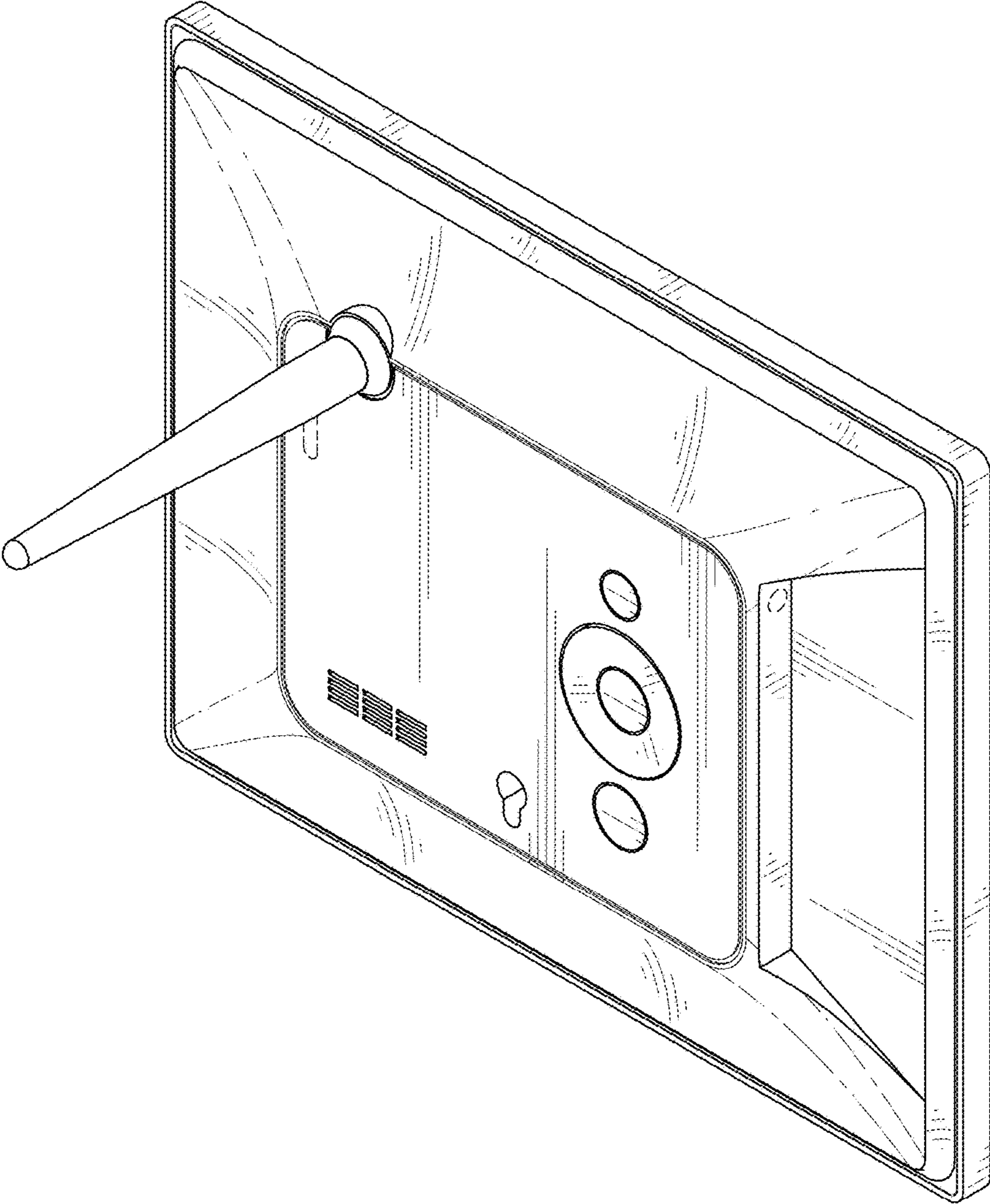


FIG. 2

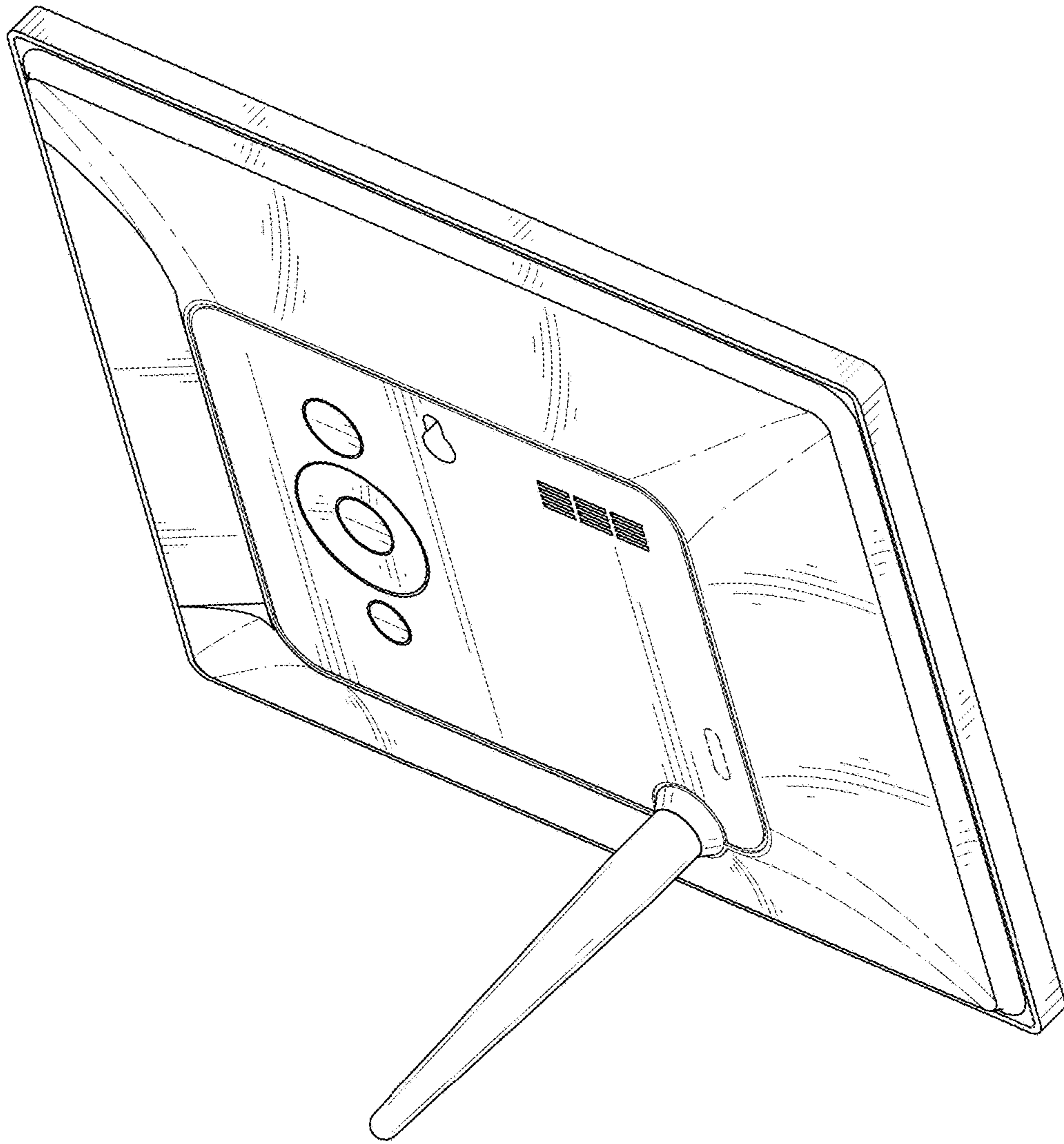


FIG. 3

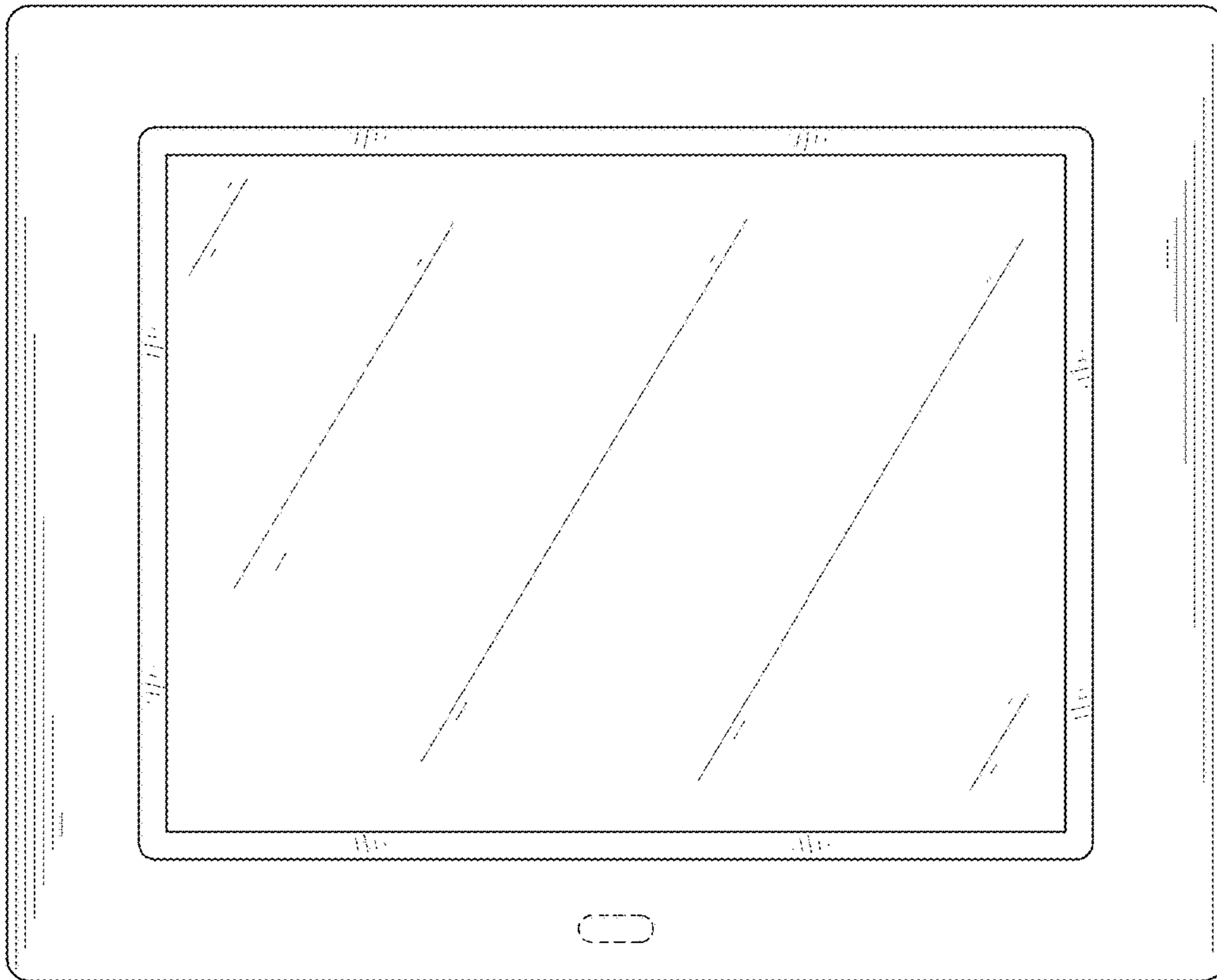


FIG. 4

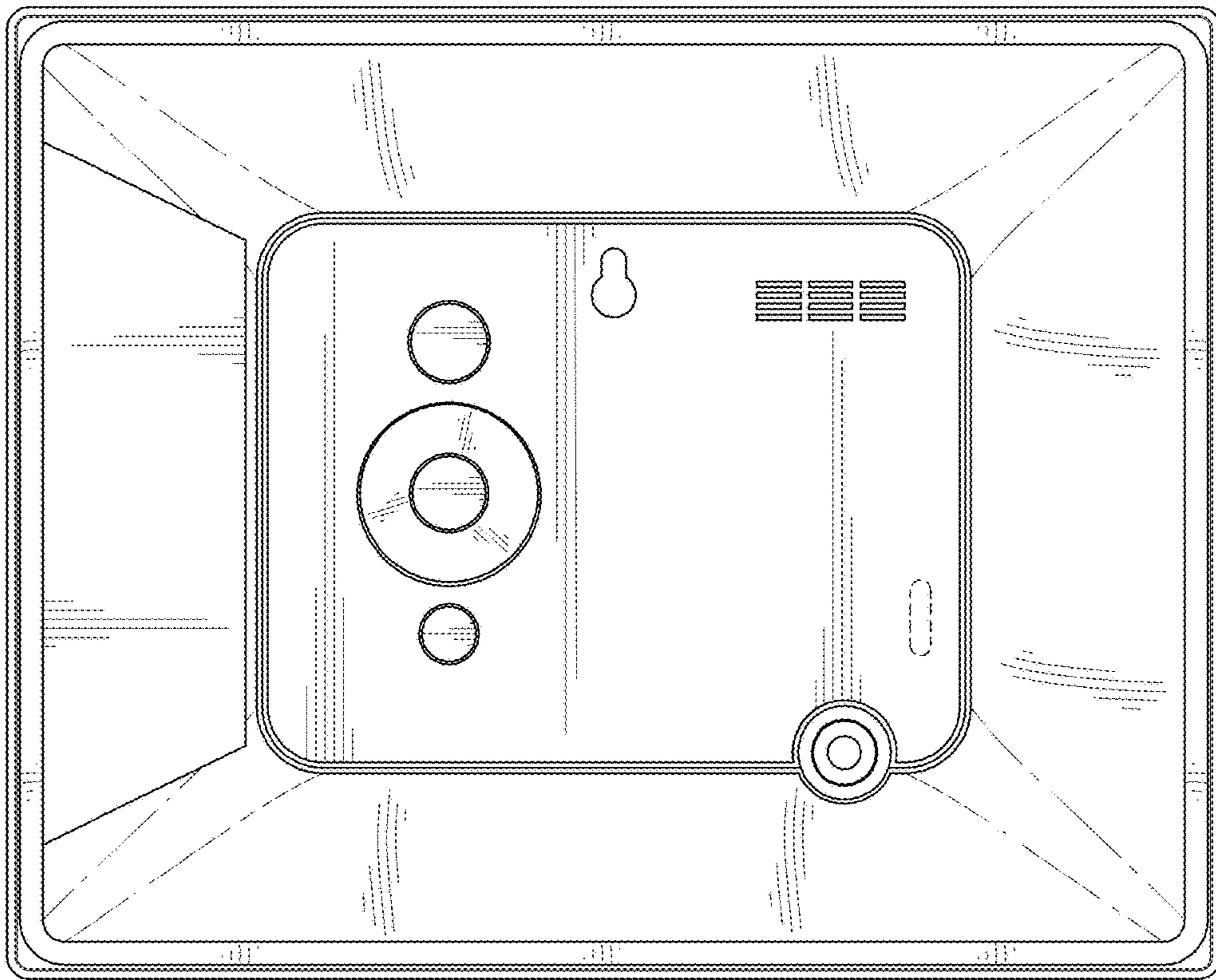


FIG. 5

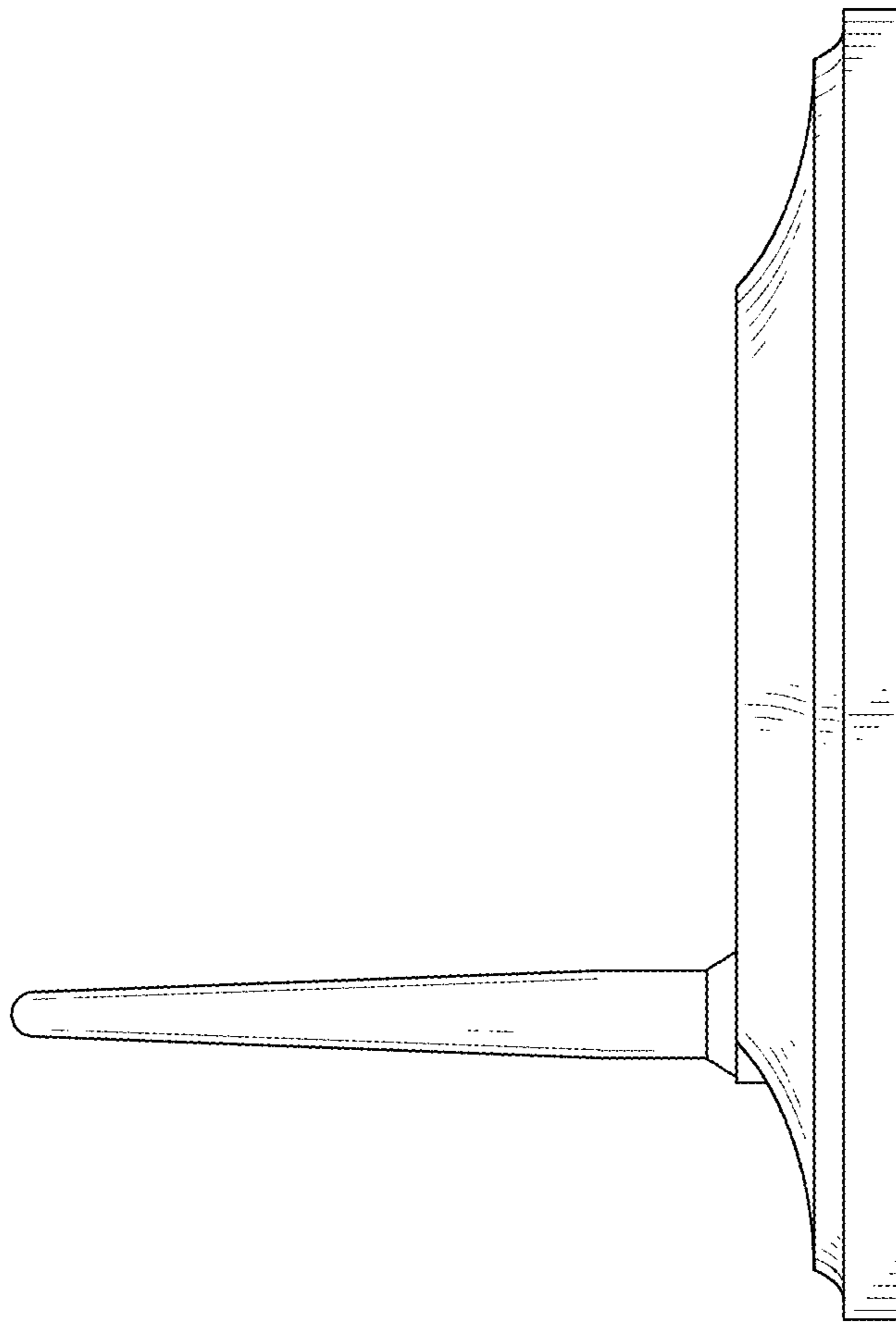


FIG. 6

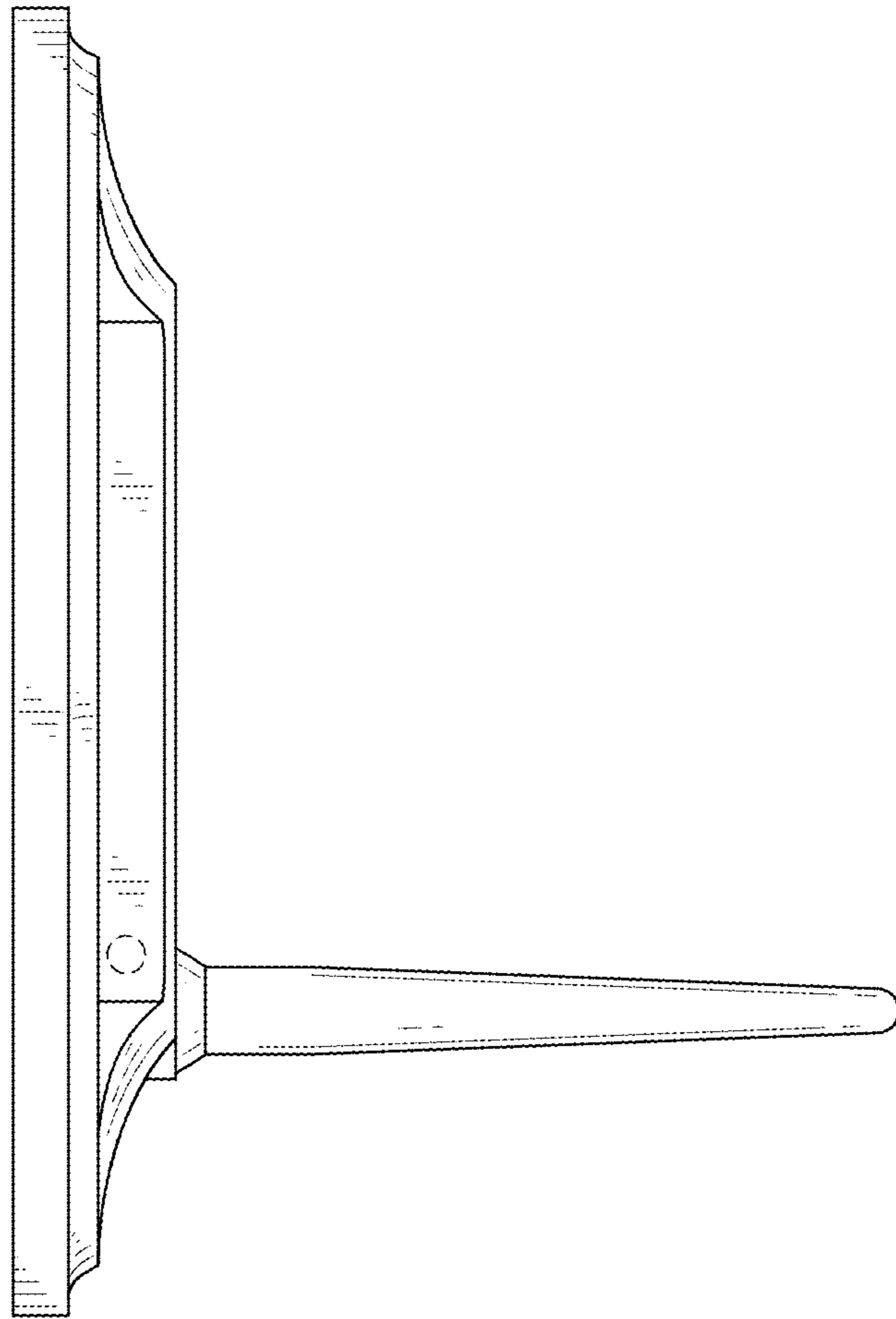


FIG. 7

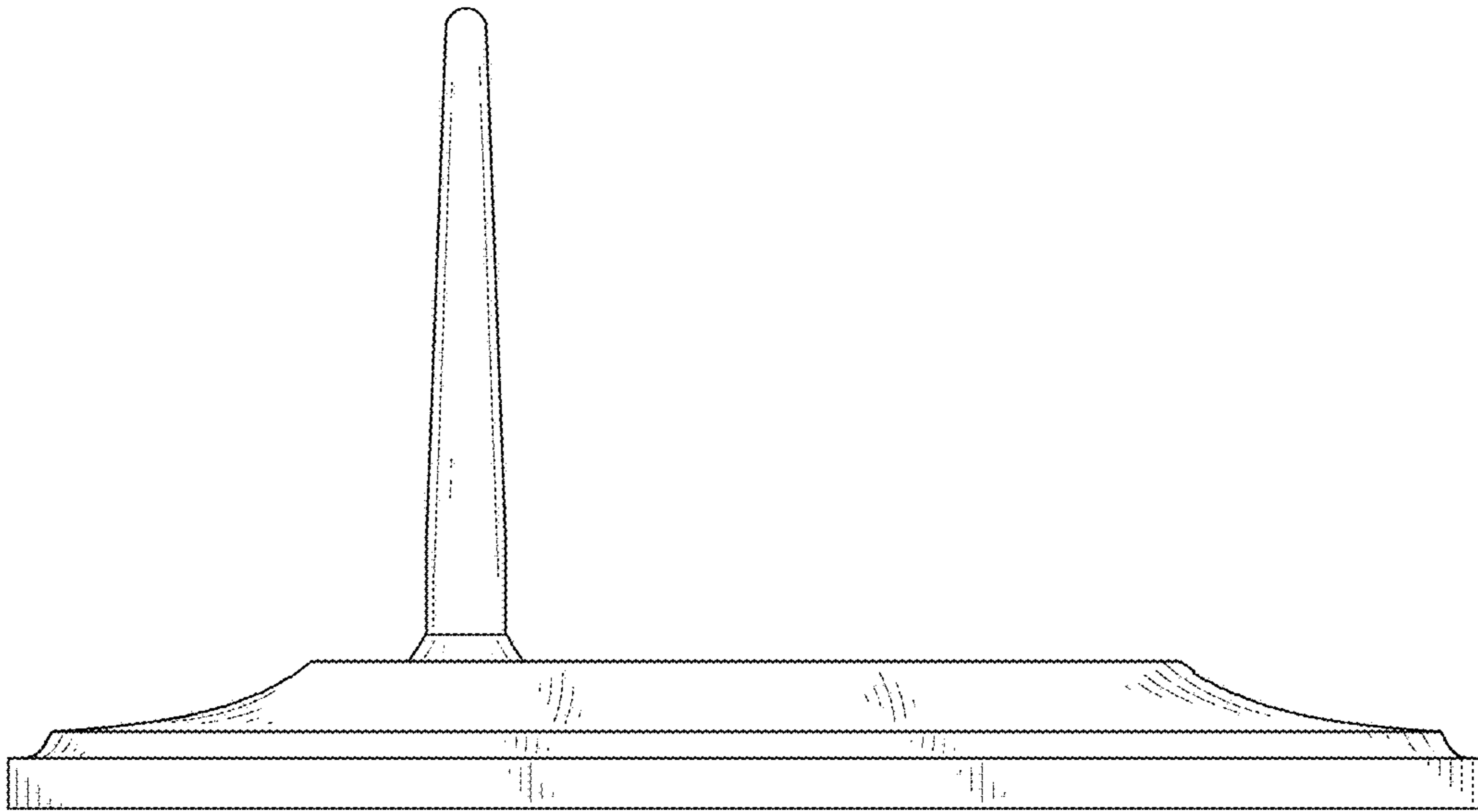


FIG. 8

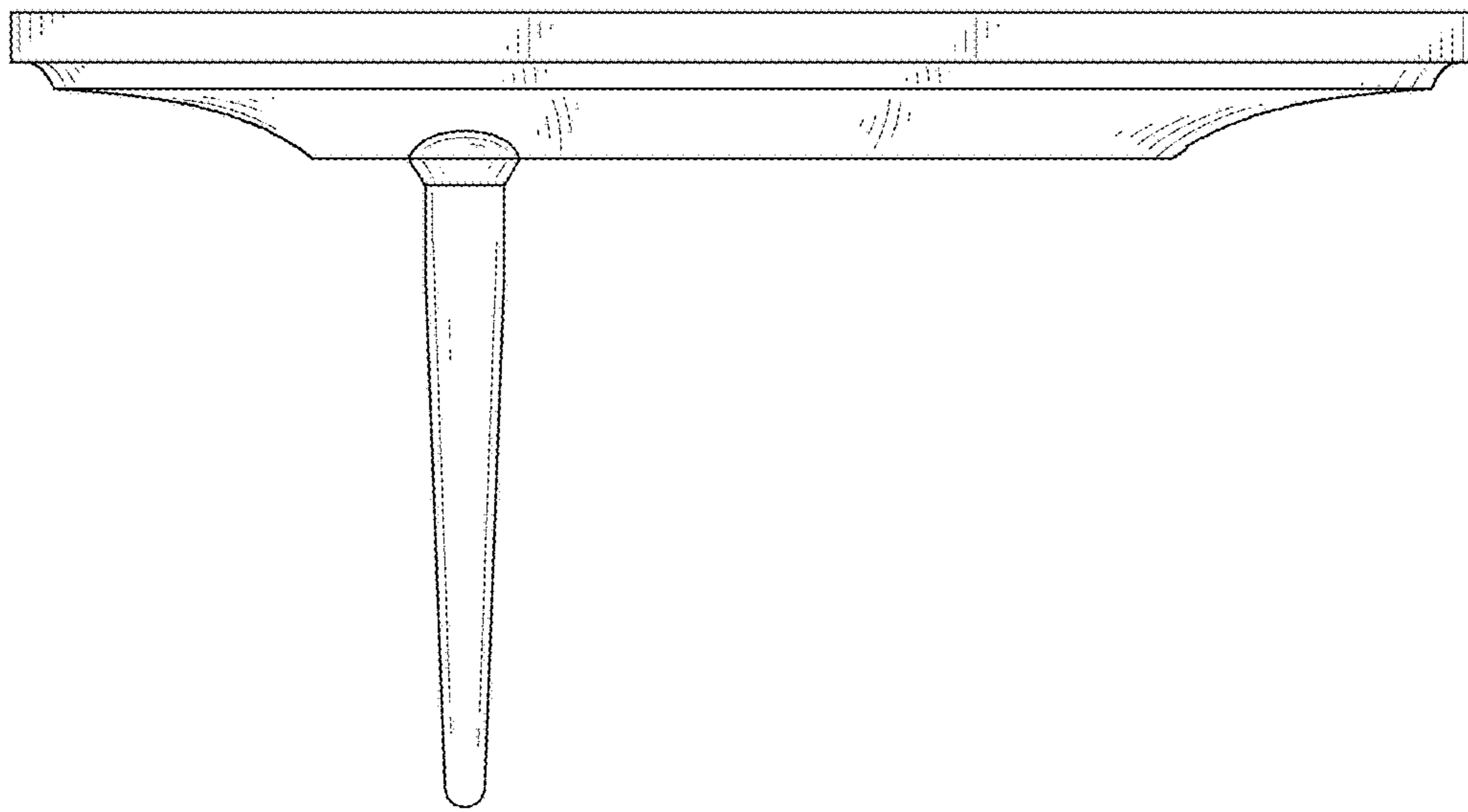


FIG. 9