



US00D834428S

(12) **United States Design Patent** (10) **Patent No.:** **US D834,428 S**  
**Jiang** (45) **Date of Patent:** **\*\* Nov. 27, 2018**

(54) **DIGITAL DAY CLOCK**

(71) Applicant: **Zini Jiang**, Hubei (CN)

(72) Inventor: **Zini Jiang**, Hubei (CN)

(73) Assignee: **Zini Jiang**, Daye (CN)

(\*\*) Term: **15 Years**

(21) Appl. No.: **29/593,993**

(22) Filed: **Feb. 14, 2017**

(51) **LOC (11) Cl.** ..... **10-01**

(52) **U.S. Cl.**  
USPC ..... **D10/3**

(58) **Field of Classification Search**  
USPC ..... D10/1-3, 6, 14-16, 23, 30-39, 41, 65,  
D10/70; D11/3, 14, 31, 52; D14/344;  
D24/167, 186; D6/308, 310  
See application file for complete search history.

(56) **References Cited**

**U.S. PATENT DOCUMENTS**

D96,475 S *	8/1935	Irelan	.....	D10/128
3,918,052 A *	11/1975	Bricher	.....	G04G 9/10 340/815.56
D320,564 S *	10/1991	Sharkey	.....	D10/15
D346,965 S *	5/1994	Wolff	.....	D10/1
D408,296 S *	4/1999	Hui	.....	D10/1
D411,229 S *	6/1999	McBeth	.....	D10/15
D423,944 S *	5/2000	Chan	.....	D10/15
D544,800 S *	6/2007	Haupt	.....	D10/15
D545,691 S *	7/2007	Bhavnani	.....	D10/15
D545,694 S *	7/2007	Bhavnani	.....	D10/15
D561,611 S *	2/2008	Chu	.....	D10/15
D568,055 S *	5/2008	Fernandez	.....	D6/308
D597,321 S *	8/2009	Frankel	.....	D6/310
D610,814 S *	3/2010	Chigira	.....	D6/308
D613,076 S *	4/2010	Chyan	.....	D14/371
D613,510 S *	4/2010	Tzeng	.....	D14/371

D637,822 S *	5/2011	Utsunomiya	.....	D6/308
D646,902 S *	10/2011	Woo	.....	D6/308
D679,610 S *	4/2013	Kang	.....	D10/24
D693,699 S *	11/2013	Hsu	.....	D10/15
D744,575 S *	12/2015	Zhan	.....	D16/219
D784,165 S *	4/2017	Nishi	.....	D10/1
D805,309 S *	12/2017	Moyer	.....	D6/308
2008/0150861 A1 *	6/2008	Lu	.....	G06F 1/1601 345/87
2009/0001241 A1 *	1/2009	Tang	.....	F16M 11/10 248/602
2009/0096743 A1 *	4/2009	DalPorto	.....	H04N 1/00127 345/104
2009/0219245 A1 *	9/2009	Frankel	.....	H04N 1/0035 345/104

(Continued)

*Primary Examiner* — Sandra S Snapp  
*Assistant Examiner* — Katherine Glennon  
(74) *Attorney, Agent, or Firm* — ScienBiziP, P.C.

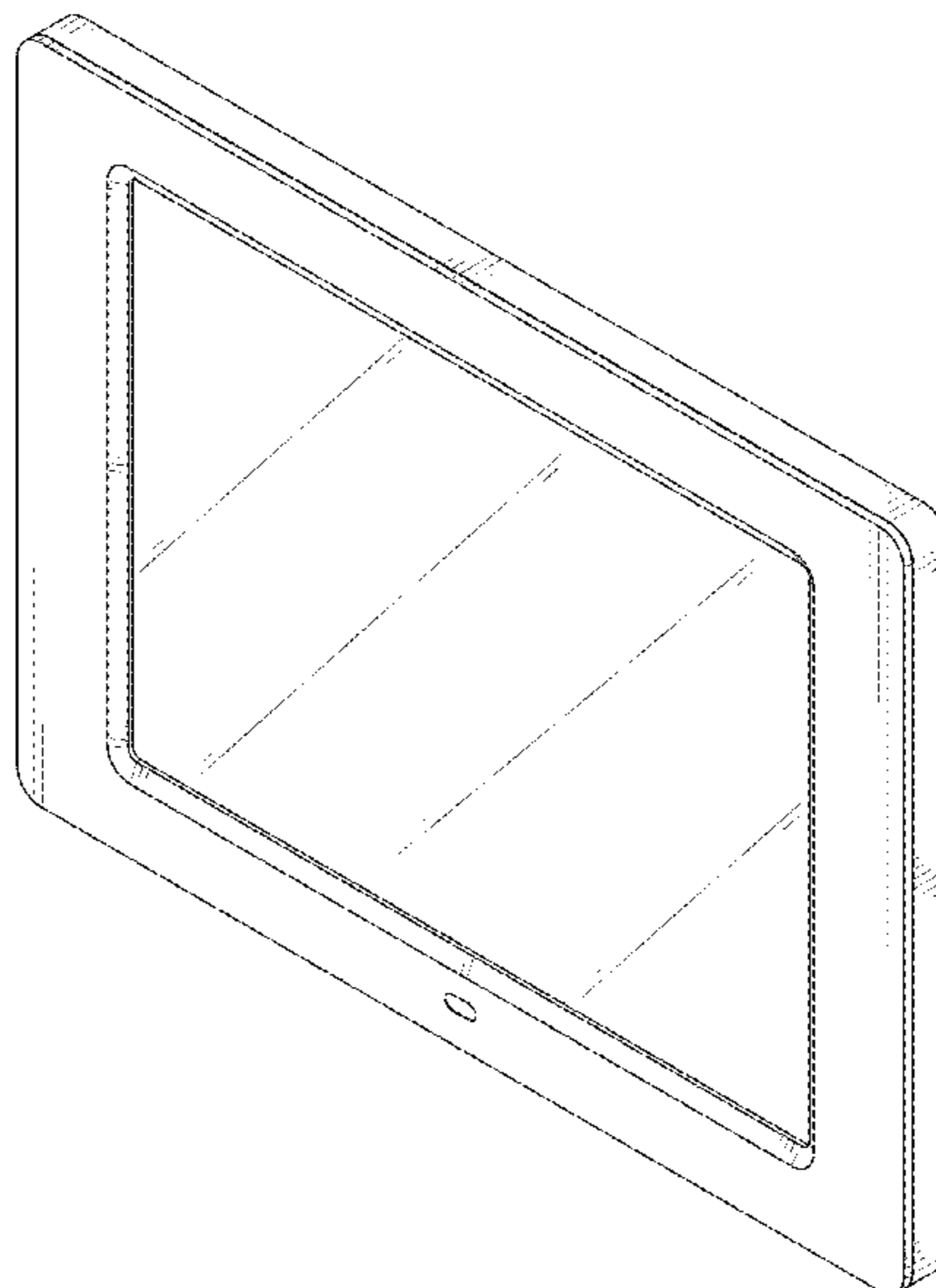
(57) **CLAIM**

The ornamental design for a digital day clock, as shown and described.

**DESCRIPTION**

FIG. 1 is a first perspective view of a digital day clock showing my new design;  
FIG. 2 is a second perspective view thereof;  
FIG. 3 is a third perspective view thereof;  
FIG. 4 is a front elevational view thereof;  
FIG. 5 is a rear elevational view thereof;  
FIG. 6 is a left side view thereof;  
FIG. 7 is a right side view thereof;  
FIG. 8 is a top plan view thereof; and,  
FIG. 9 is a bottom plan view thereof.  
The broken lines in the drawings illustrate portions of the digital day clock which form no part of the claimed design.  
The diagonal lines indicate transparency.

**1 Claim, 9 Drawing Sheets**



(56)

**References Cited**

U.S. PATENT DOCUMENTS

2009/0262493	A1*	10/2009	Lee .....	G06F 1/1601 361/679.21
2011/0102980	A1*	5/2011	Tittle .....	G09G 3/20 361/679.01
2012/0057295	A1*	3/2012	Simpson .....	G06F 1/1632 361/679.44

\* cited by examiner

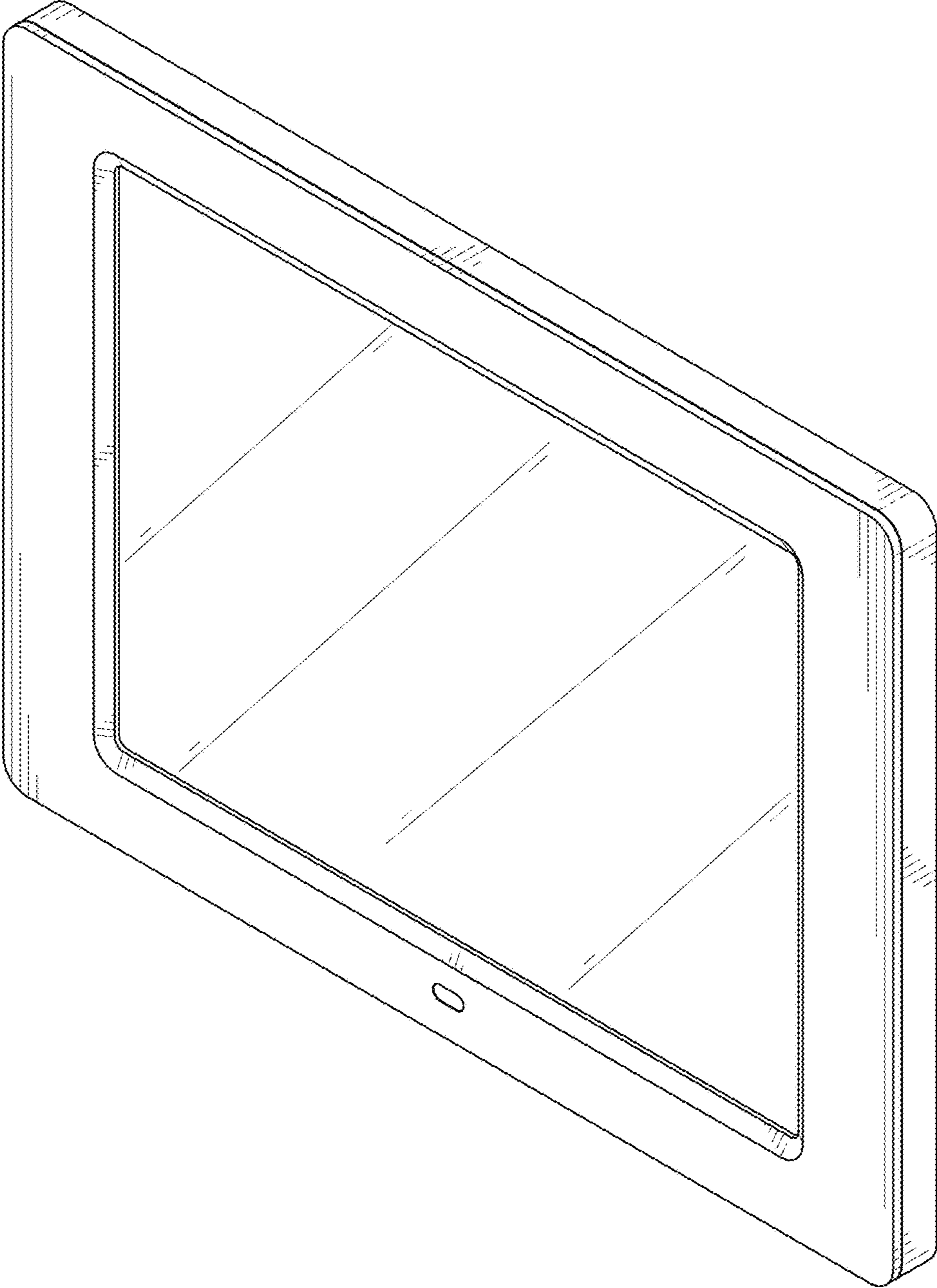


Fig. 1

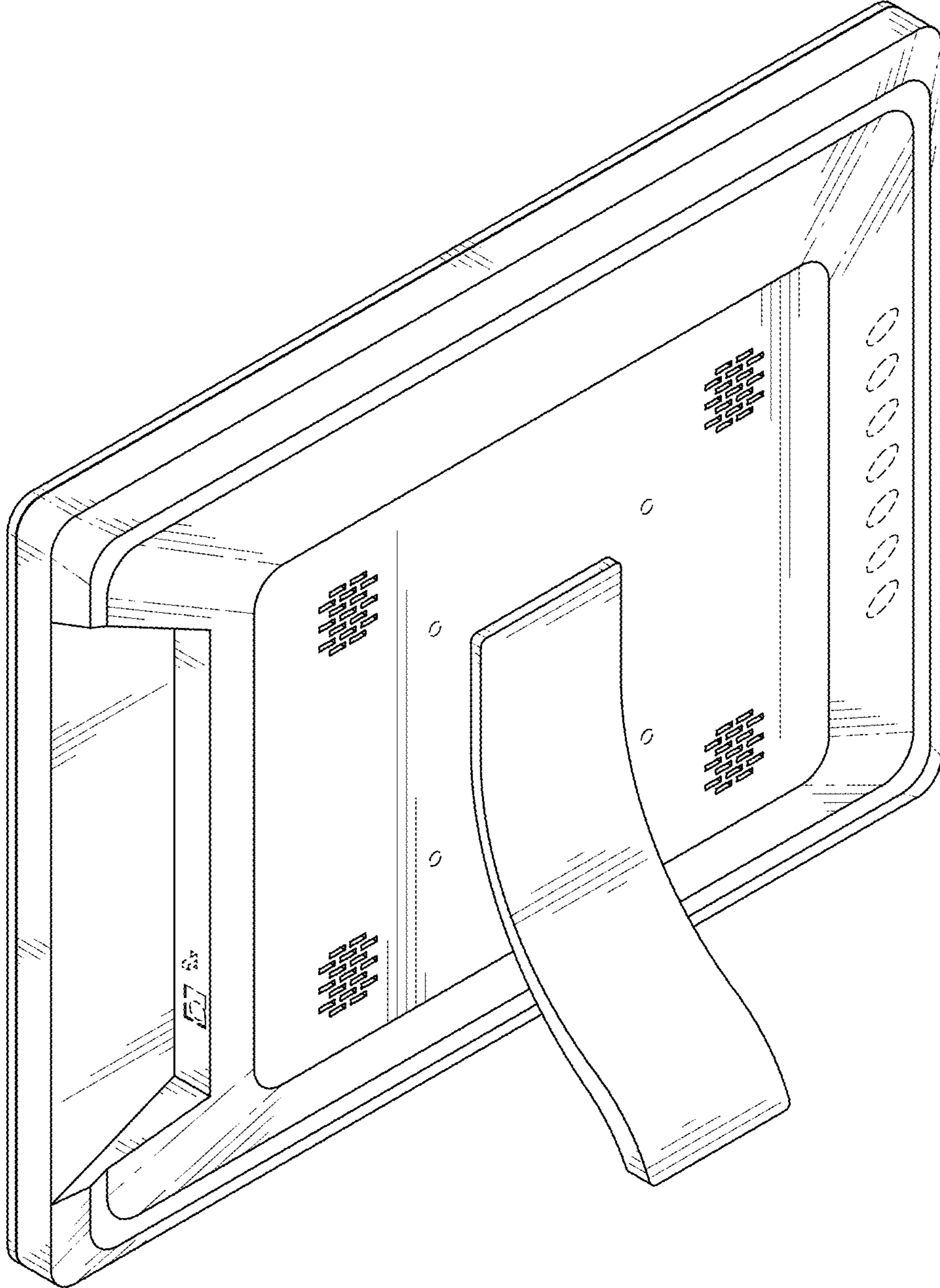


FIG. 2

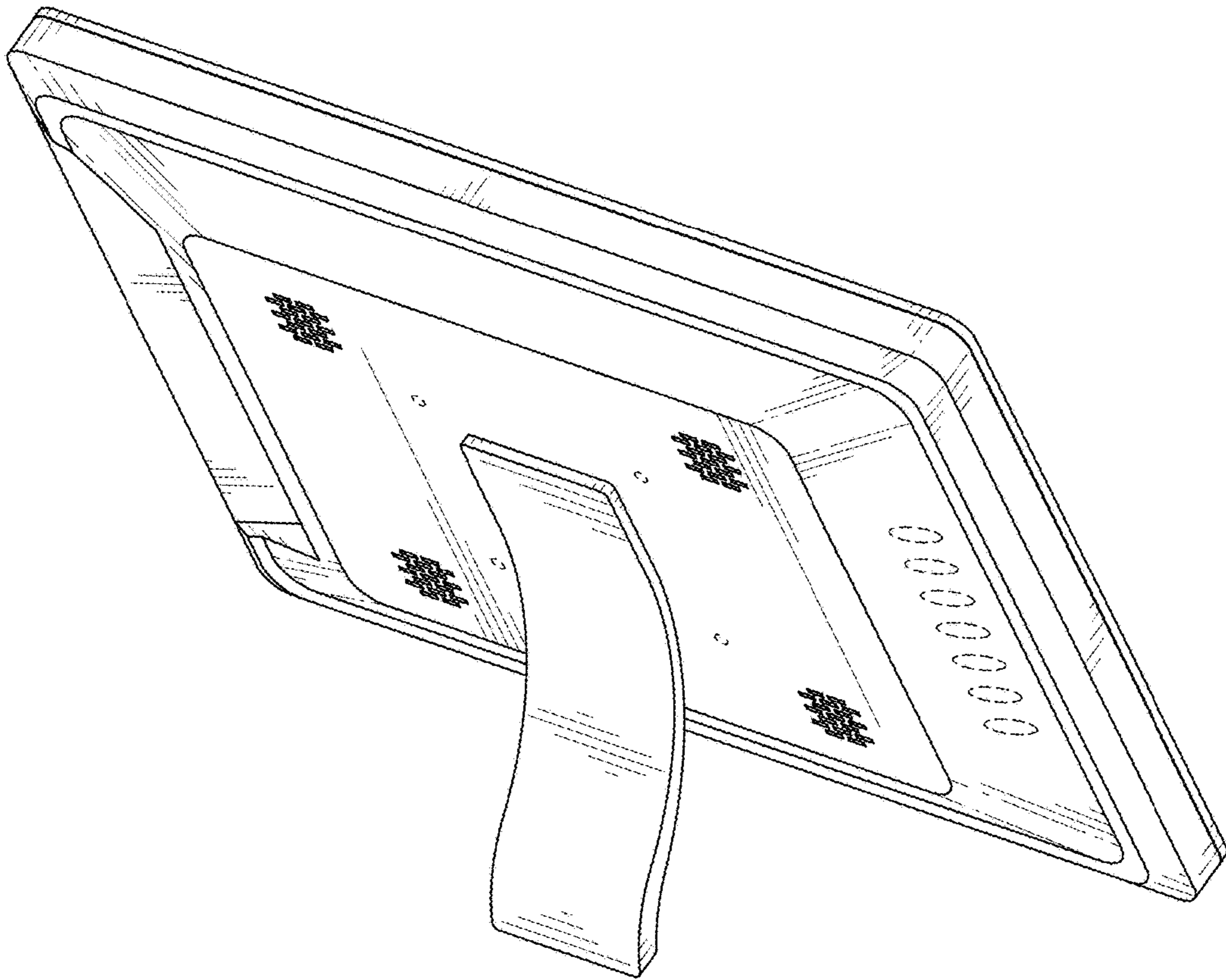


FIG. 3

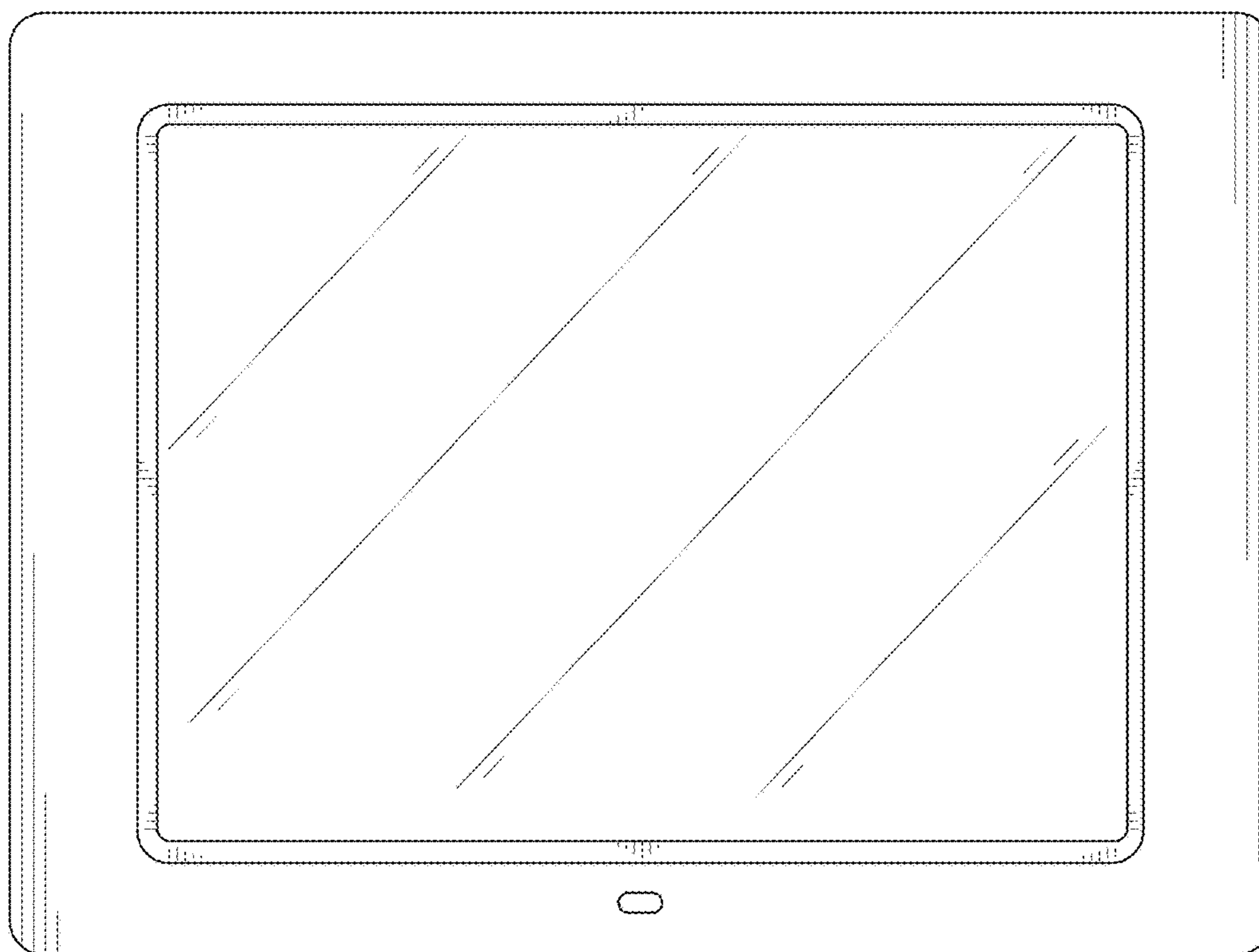


Fig. 4

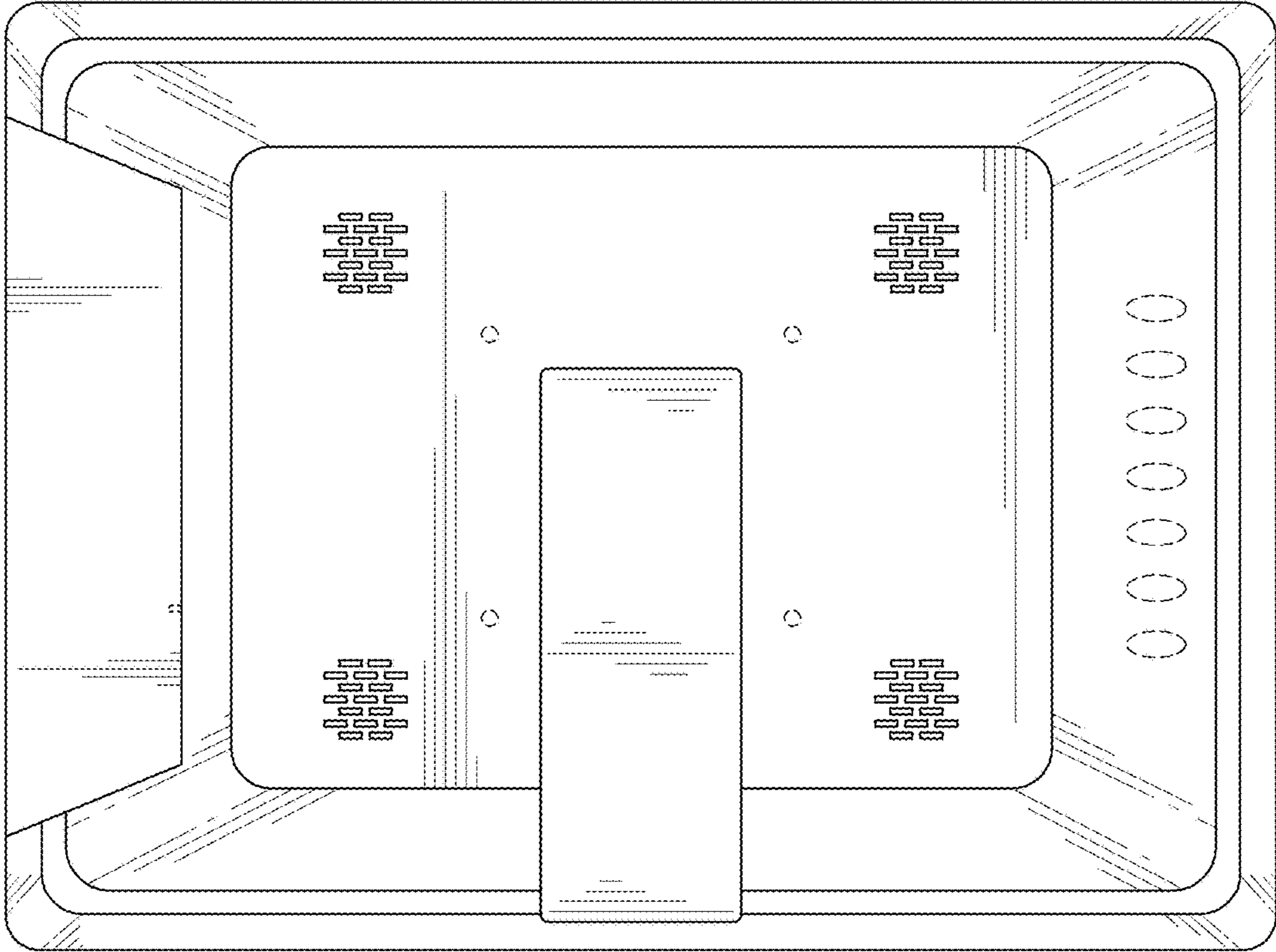


FIG. 5

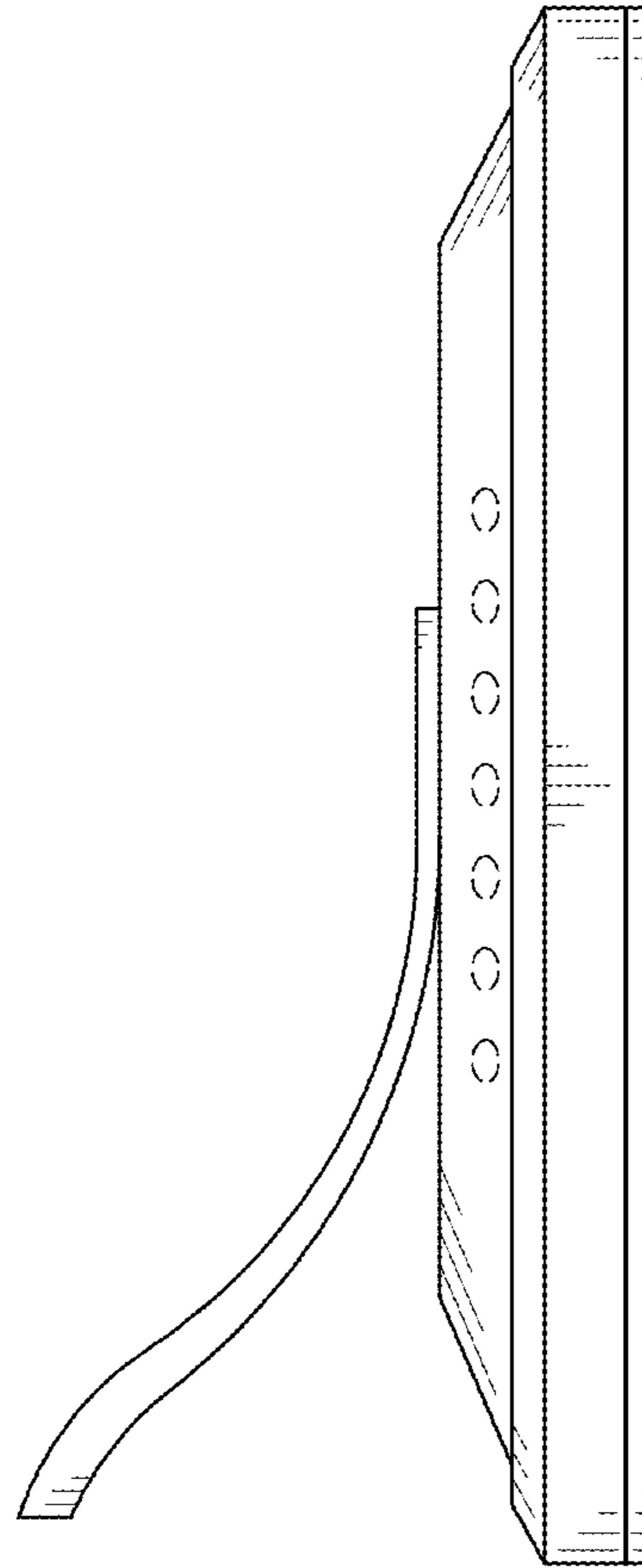


FIG. 6



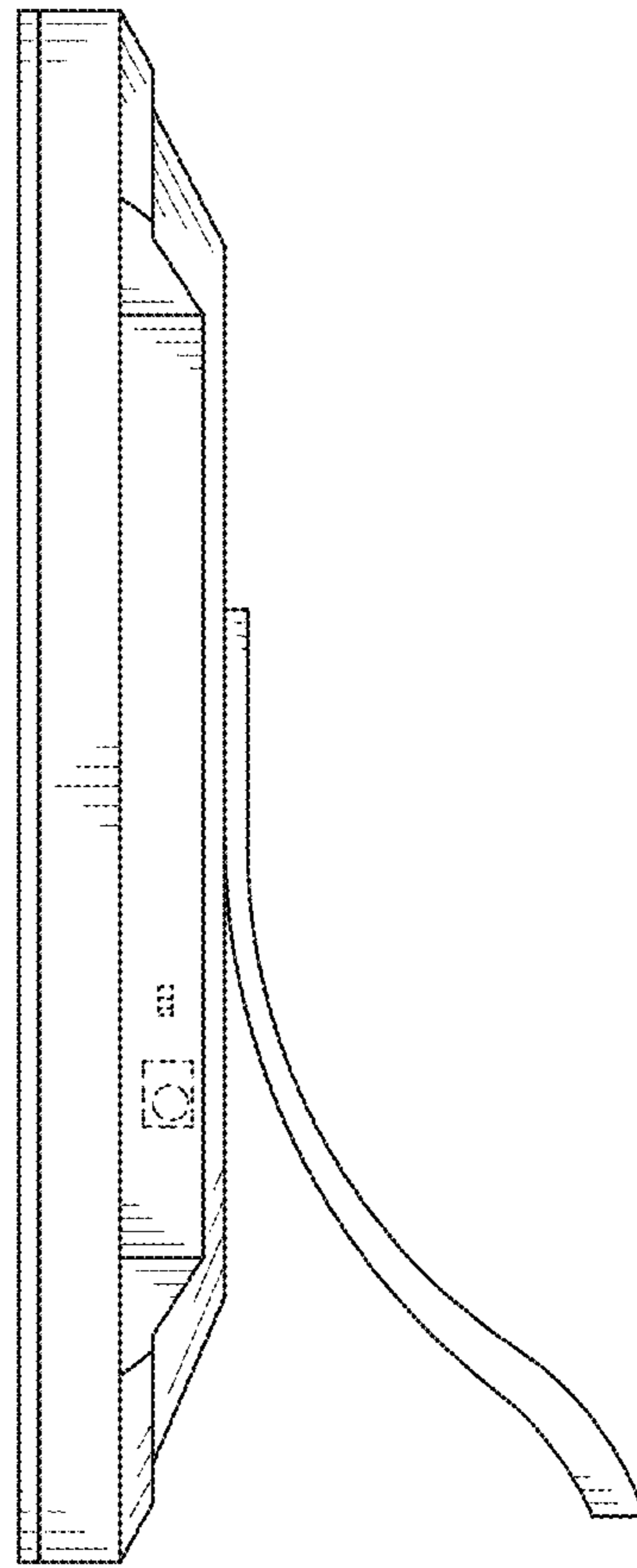


Fig. 7

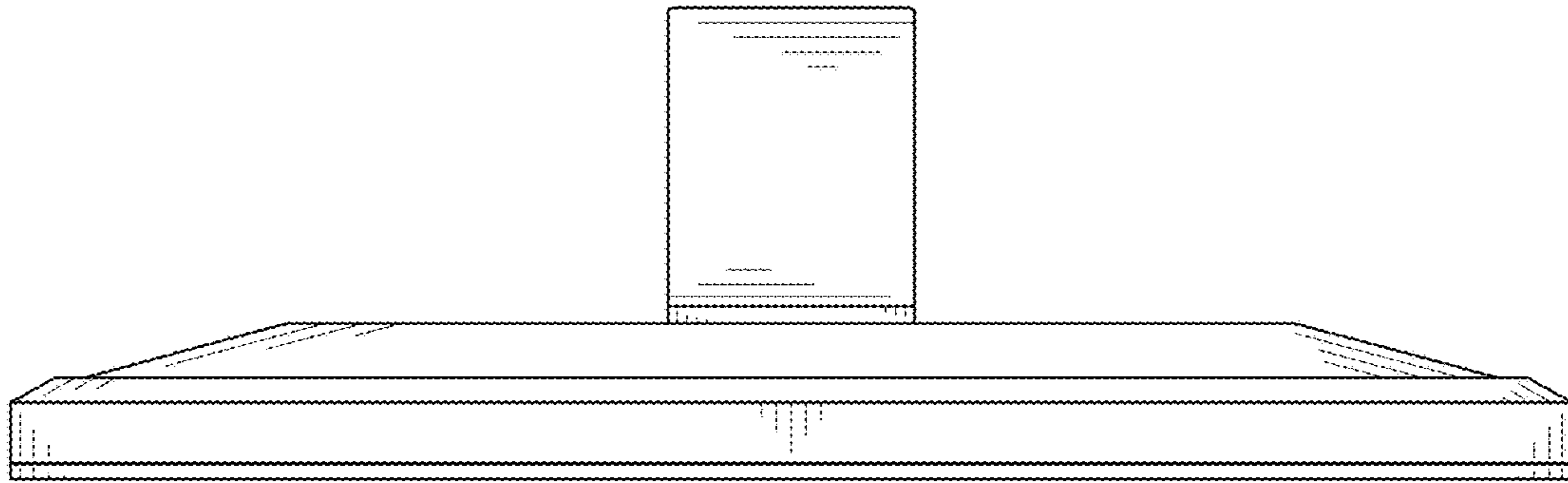


Fig. 8

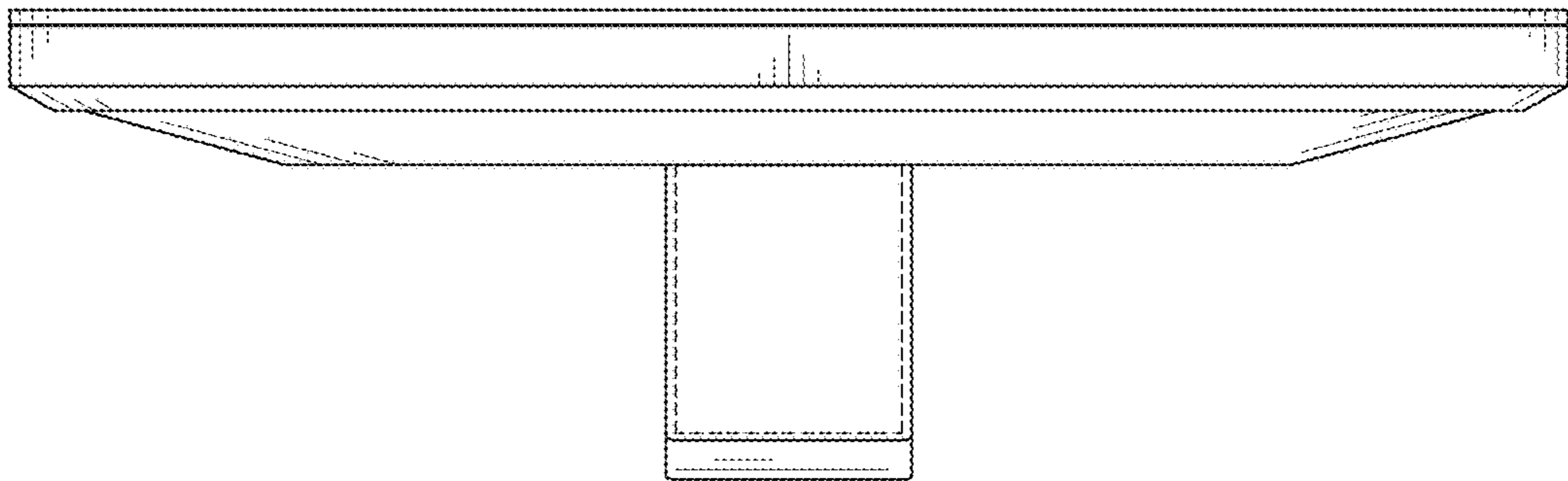


Fig. 9