



US00D834421S

(12) **United States Design Patent**
Aebi

(10) **Patent No.:** **US D834,421 S**

(45) **Date of Patent:** **** Nov. 27, 2018**

(54) **PERFUME BOTTLE**

(71) Applicant: **Bulgari S.p.A.**, Rome (IT)

(72) Inventor: **Aurel Aebi**, La Neuveville (CH)

(73) Assignee: **Bulgari S.p.A.**, Rome (IT)

(**) Term: **15 Years**

(21) Appl. No.: **29/543,237**

(22) Filed: **Oct. 22, 2015**

(30) **Foreign Application Priority Data**

Apr. 23, 2015 (WO) DM086267

(51) **LOC (11) Cl.** **09-01**

(52) **U.S. Cl.**
USPC **D9/519**; D9/558; D9/544

(58) **Field of Classification Search**
USPC D9/516, 519, 522, 529, 549, 551, 555,
D9/682, 688, 693, 715, 719; D23/366,
D23/367; D28/91.1

CPC A45D 33/18; A45D 19/02; A45D 34/02;
B65D 2543/00351; B65D 1/14

See application file for complete search history.

(56) **References Cited**

U.S. PATENT DOCUMENTS

D311,491 S *	10/1990	Bompard	D9/519
D325,700 S *	4/1992	Fromanger	D9/519
D390,118 S *	2/1998	Hanna	D9/545
D428,213 S *	7/2000	De Baschmakoff	D28/91.1
D499,652 S *	12/2004	Mansau	D9/520
D592,973 S *	5/2009	Kim	D9/558
D618,557 S *	6/2010	Jin	D9/545
D619,006 S *	7/2010	Veyssiere	D9/519
D622,154 S *	8/2010	Vishab	D9/454
D622,600 S *	8/2010	Bradfield	D9/544

D630,101 S *	1/2011	Lloyd	D9/552
D659,003 S *	5/2012	Knox	D9/444
D682,115 S *	5/2013	Dumas	D9/545
D689,369 S *	9/2013	Dumas	D9/545
D697,811 S *	1/2014	Goodman	D9/545
D708,070 S *	7/2014	Lesinigo	D9/548
D729,626 S *	5/2015	Hall	D9/519
D734,673 S *	7/2015	Brin	D9/454
D756,228 S *	5/2016	Premkumar	D9/523

FOREIGN PATENT DOCUMENTS

WO DM084494 10/2014

* cited by examiner

Primary Examiner — Ian Simmons

Assistant Examiner — Keith Frank

(74) *Attorney, Agent, or Firm* — Stephen J. Kenny; Peter A. Sullivan; Foley Hoag LLP

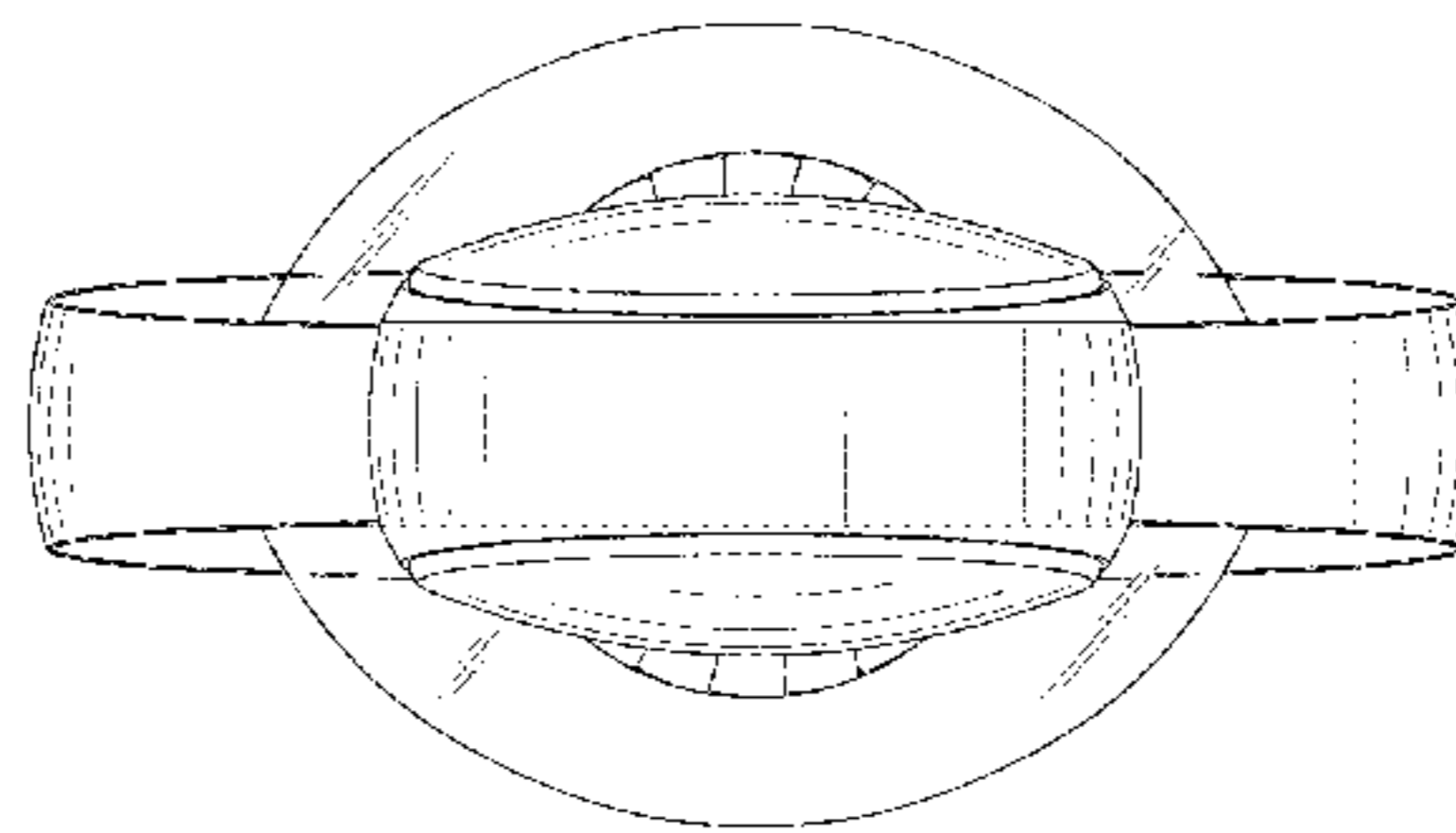
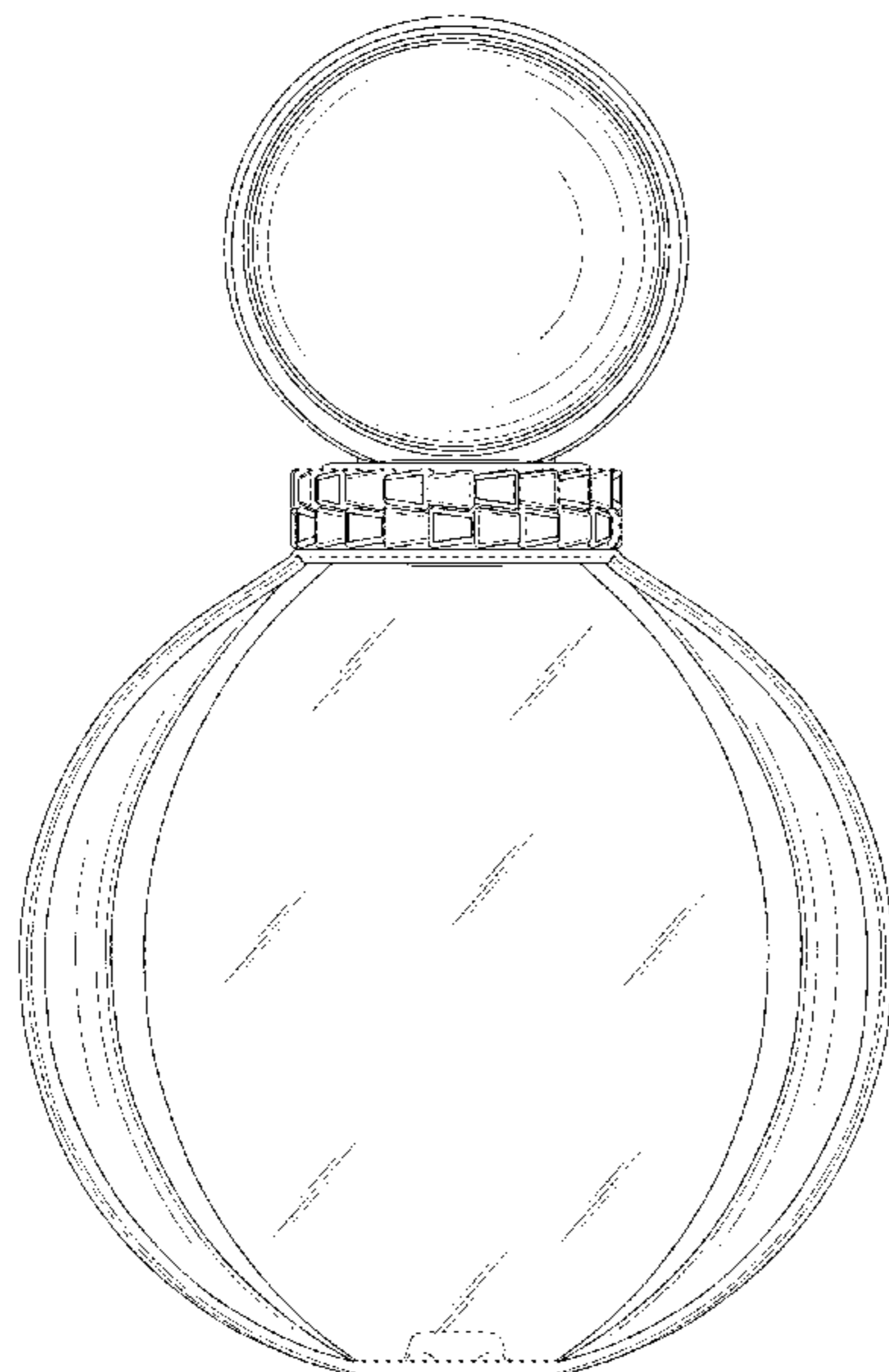
(57) **CLAIM**

The ornamental design for a perfume bottle, as shown and described.

DESCRIPTION

FIG. 1 is a front view of the perfume bottle;
 FIG. 2 is a back view thereof;
 FIG. 3 is a perspective view thereof;
 FIG. 4 is a bottom view thereof;
 FIG. 5 is a top view thereof;
 FIG. 6 is a left side view thereof;
 FIG. 7 is a right side view thereof; and,
 FIG. 8 is a perspective view of the perfume bottle with the cap off.
 The features depicted in broken lines represent environmental subject matter and do not form part of the subject matter claimed.

1 Claim, 8 Drawing Sheets



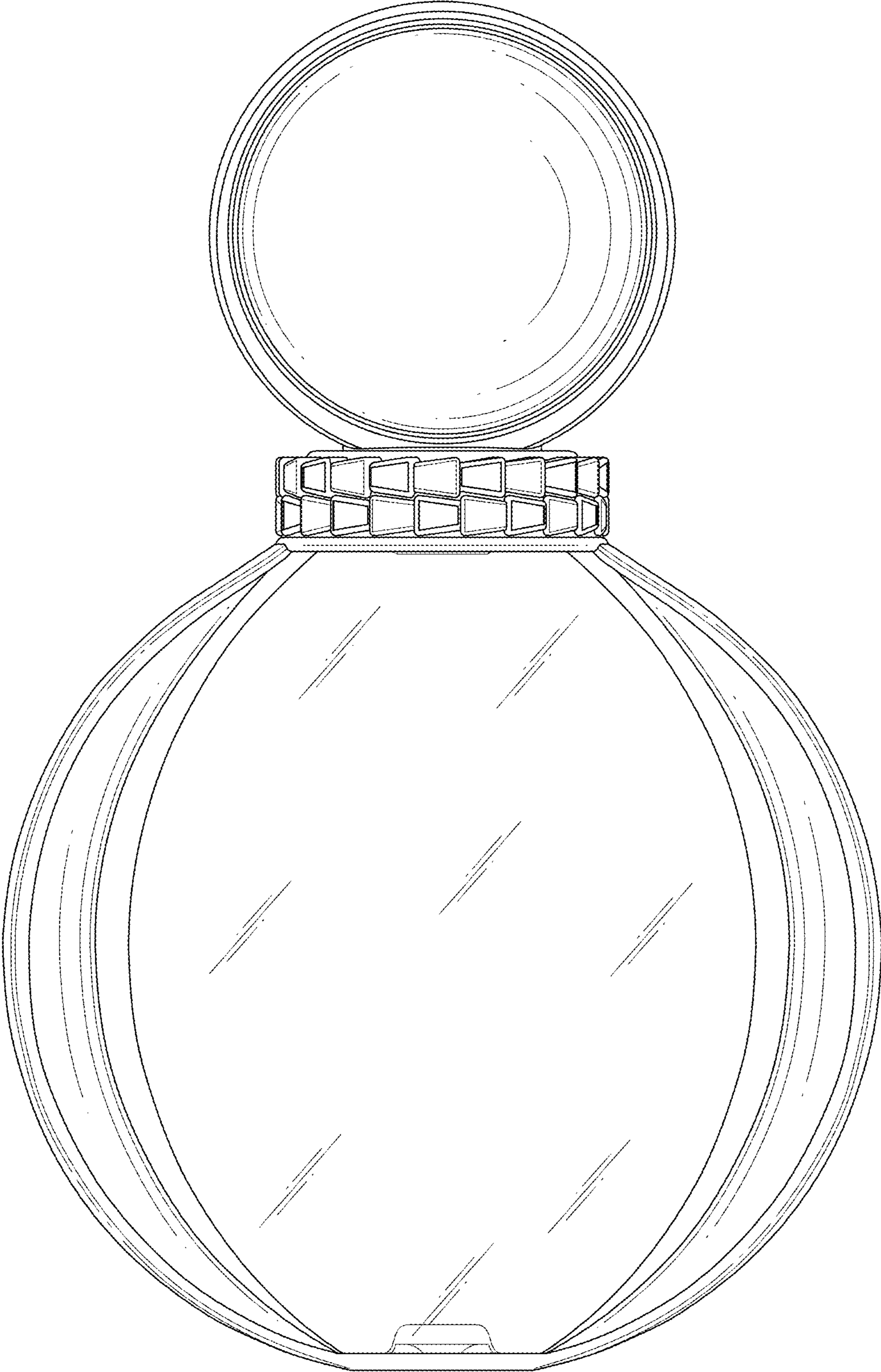


FIG. 1

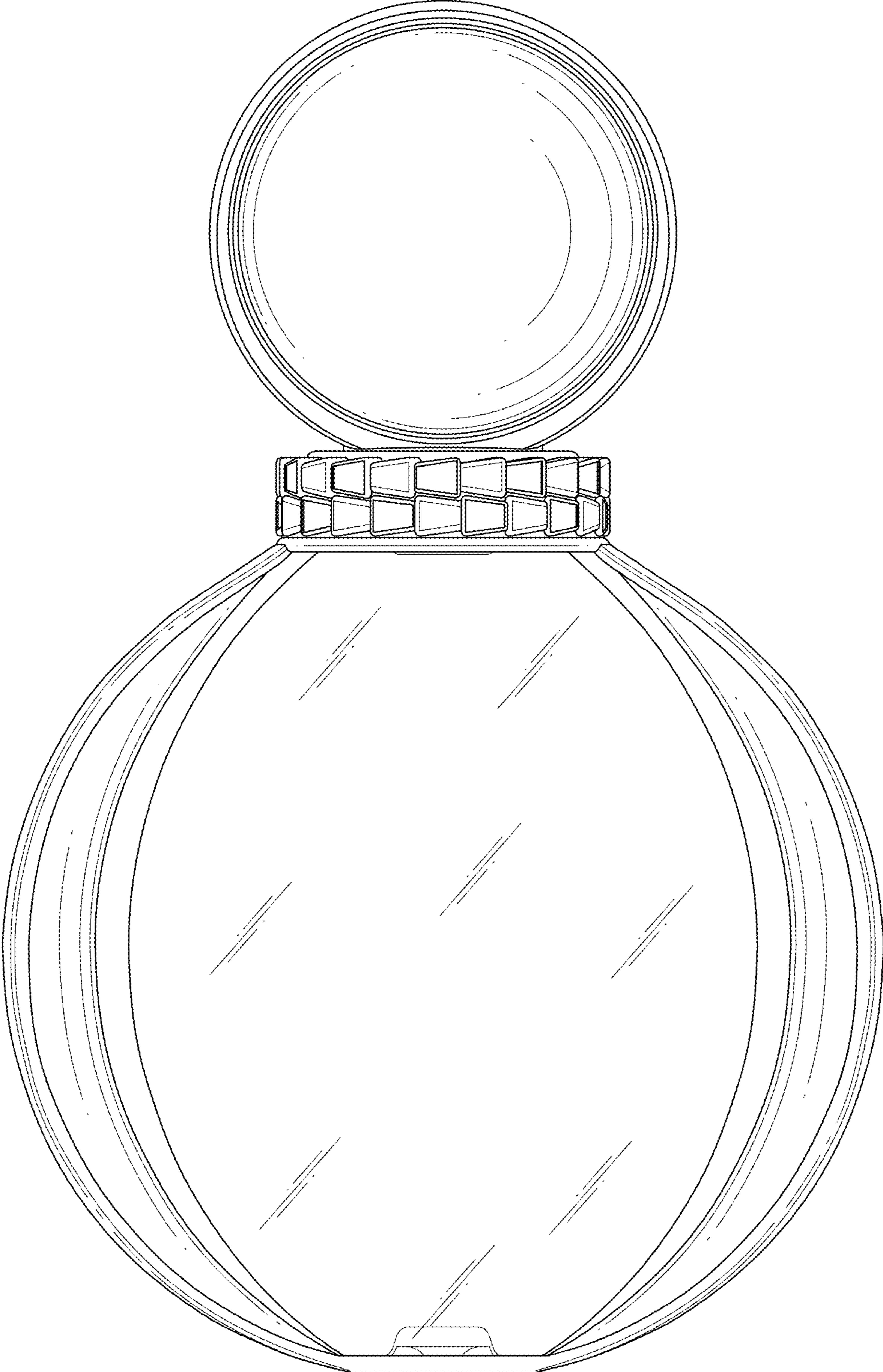


FIG. 2

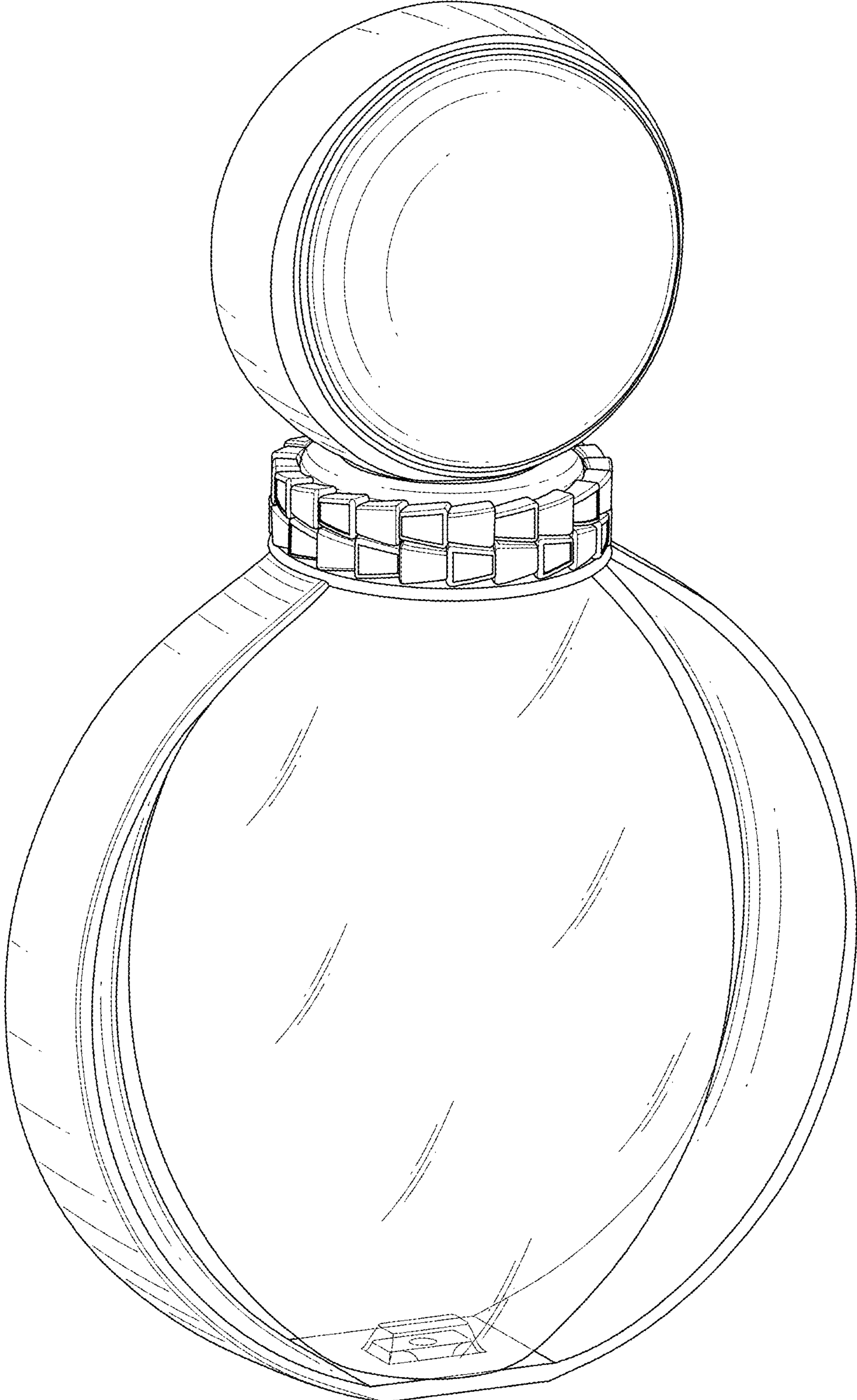


FIG.3

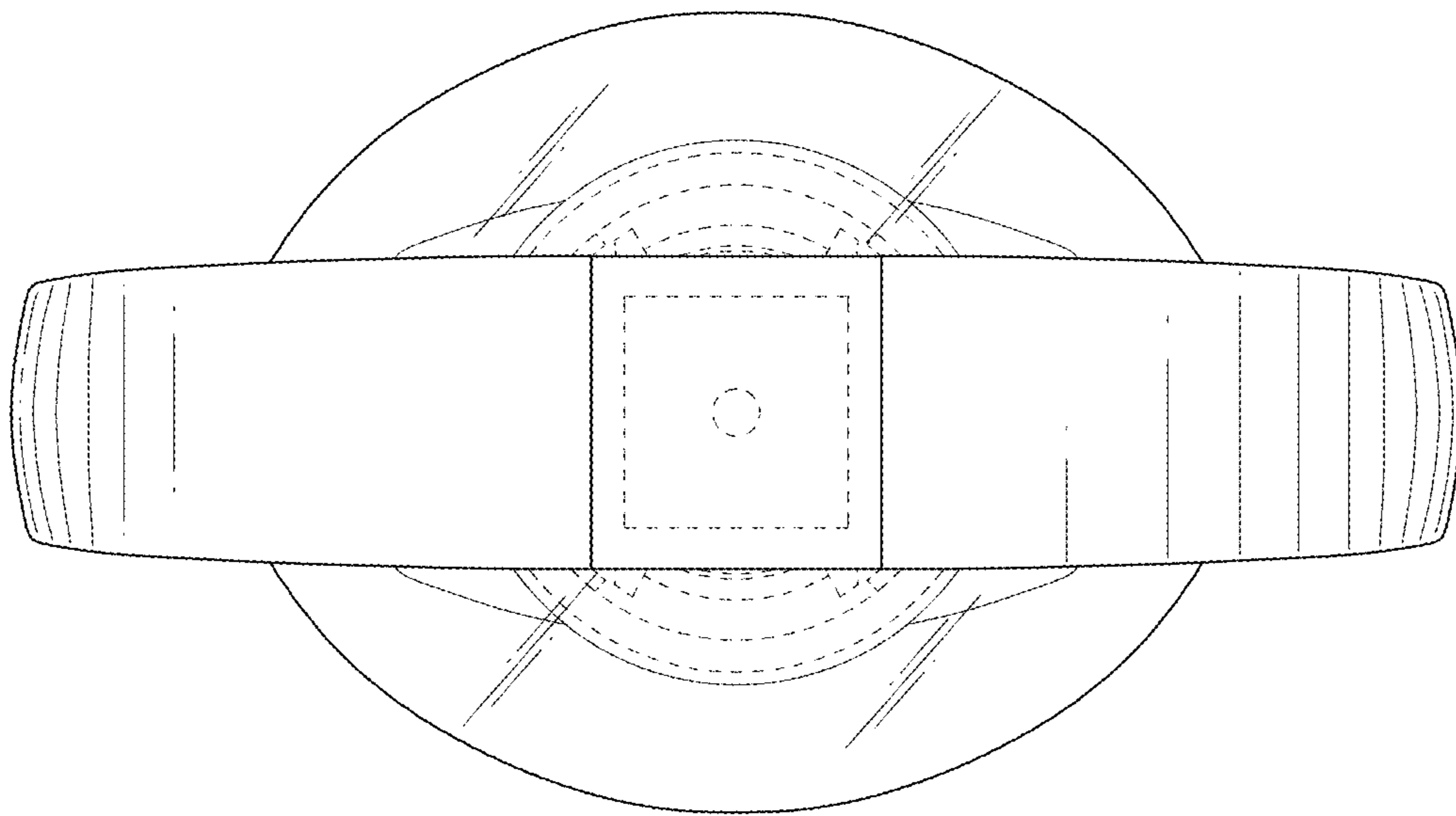


FIG.4

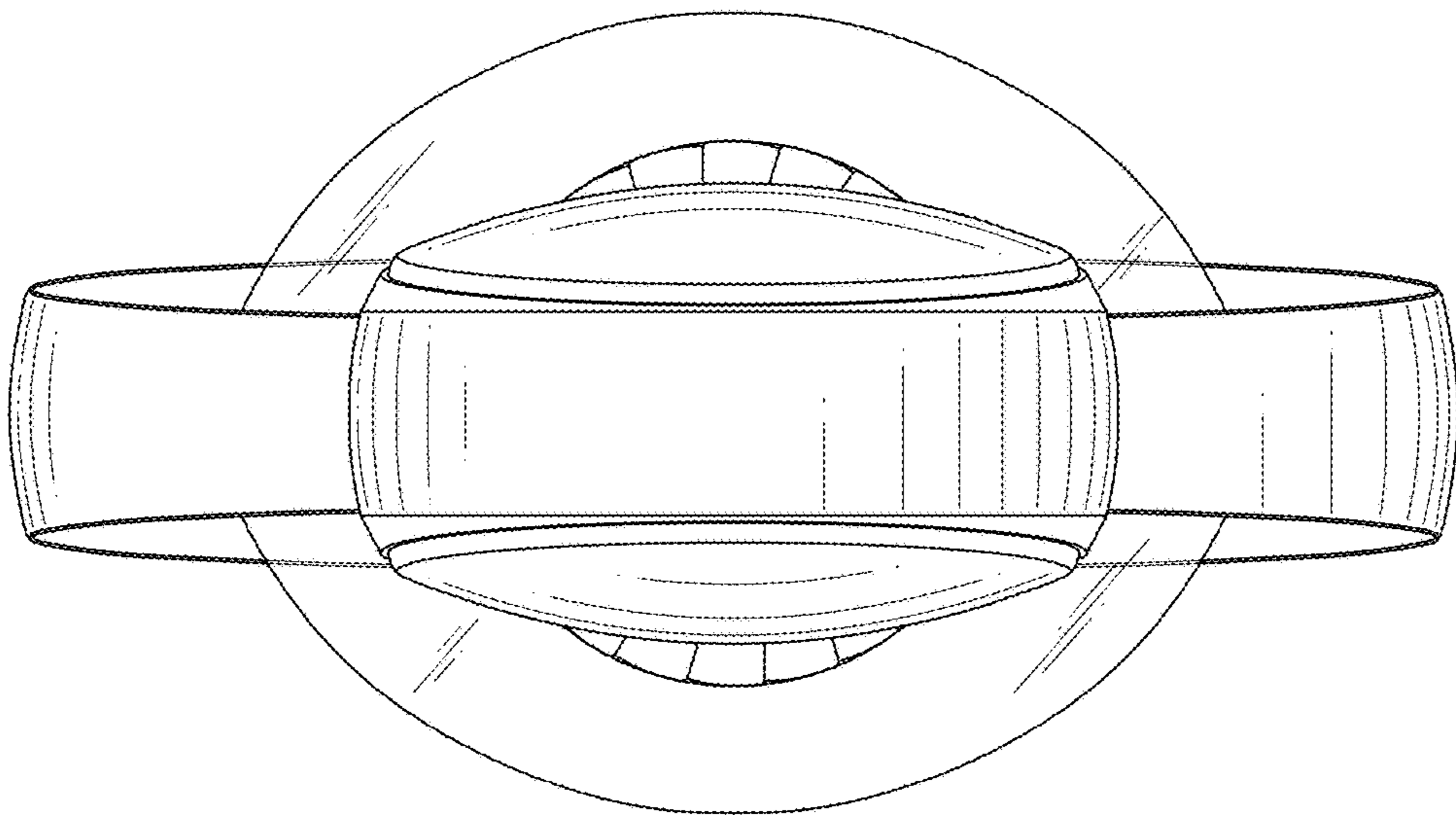


FIG. 5

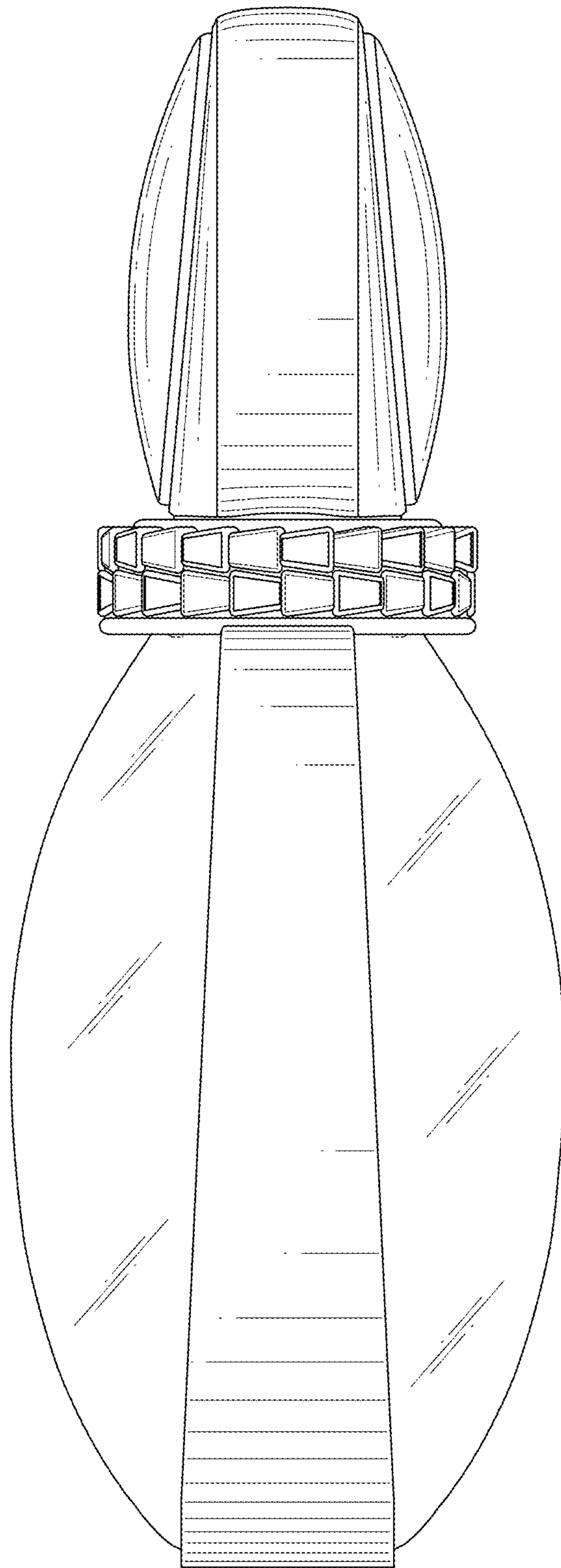


FIG. 6

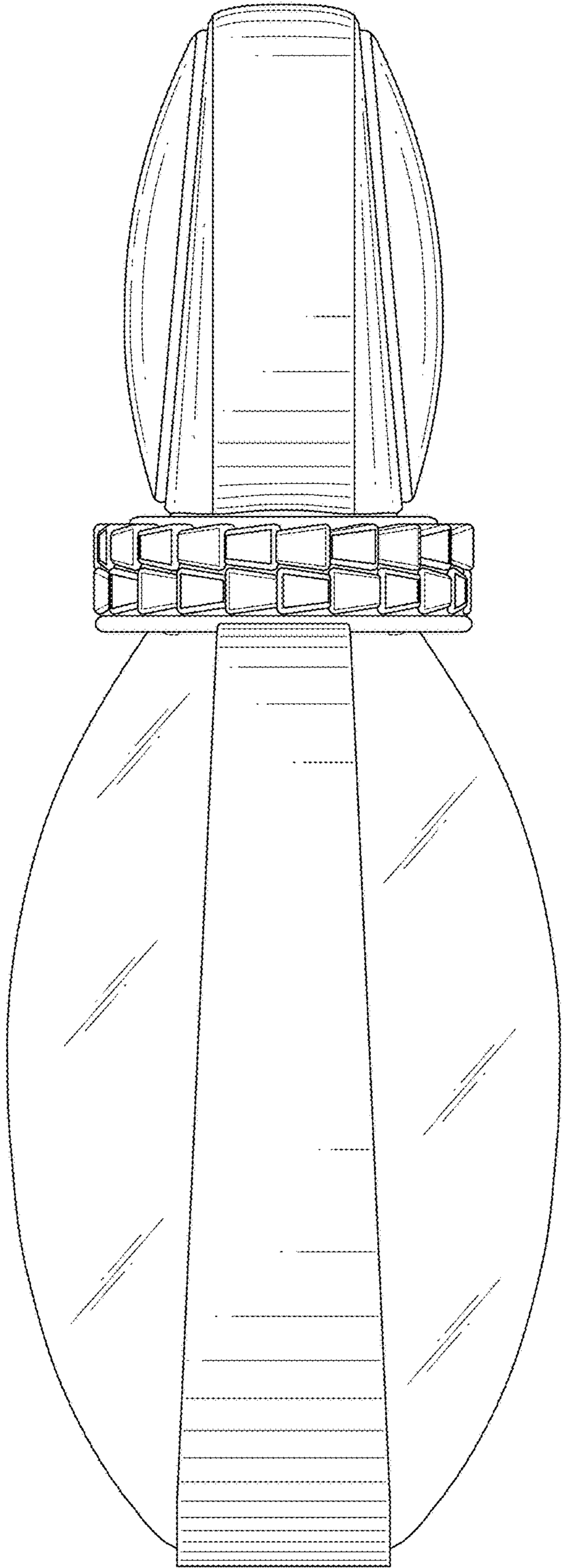


FIG. 7

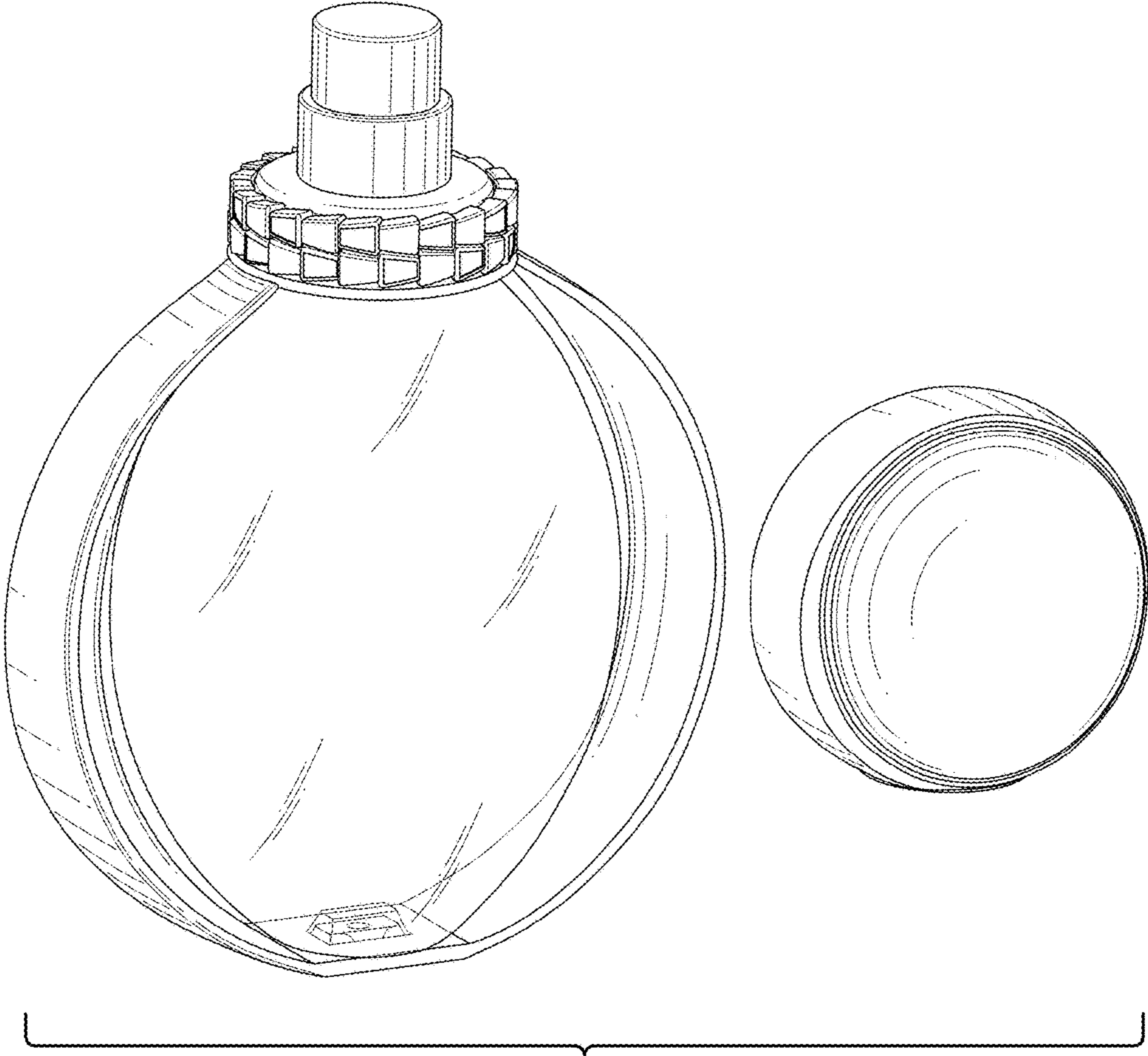


FIG.8