



US00D834418S

(12) **United States Design Patent** (10) **Patent No.:** **US D834,418 S**
Luther (45) **Date of Patent:** **** Nov. 27, 2018**

(54) **BOTTLE CAP HAT**
(71) Applicant: **Stephen John Luther**, Terryville, CT (US)
(72) Inventor: **Stephen John Luther**, Terryville, CT (US)
(**) Term: **15 Years**
(21) Appl. No.: **29/603,118**
(22) Filed: **May 6, 2017**
(51) **LOC (11) Cl.** **09-07**
(52) **U.S. Cl.**
USPC **D9/451**
(58) **Field of Classification Search**
USPC D7/514-517, 519-520, 539, 604, 613, D7/619.2, 623, 628, 392.1; D9/600-601, D9/614-619, 632, 434, 436, 441, D9/444-454; 206/494, 457, 459.1, 459.2; 220/890; 215/206, 260, 387-400; D2/869-874, 885-888; D11/158-160; D21/631, 633, 639-640
CPC B65D 67/00; B65D 81/36; B65D 81/365; B65D 81/366; B65D 81/368; B65D 41/00; B65D 41/02; B65D 51/245; A63H 33/16
See application file for complete search history.

D113,777 S * 3/1939 Worssam D9/632
D233,642 S * 11/1974 Arnold D9/632
D333,261 S * 2/1993 Van Erkel D9/451
D373,078 S * 8/1996 Cheng D2/869
D438,693 S * 3/2001 Martin D21/633
D478,409 S * 8/2003 Lesley A41D 13/01
D2/873
D489,097 S * 4/2004 Beckerman D2/886
D604,162 S * 11/2009 Navarro D9/451

* cited by examiner
Primary Examiner — Sandra L Morris
(74) *Attorney, Agent, or Firm* — Ingenium Patents LLC; Peter R. Kramer

(57) **CLAIM**

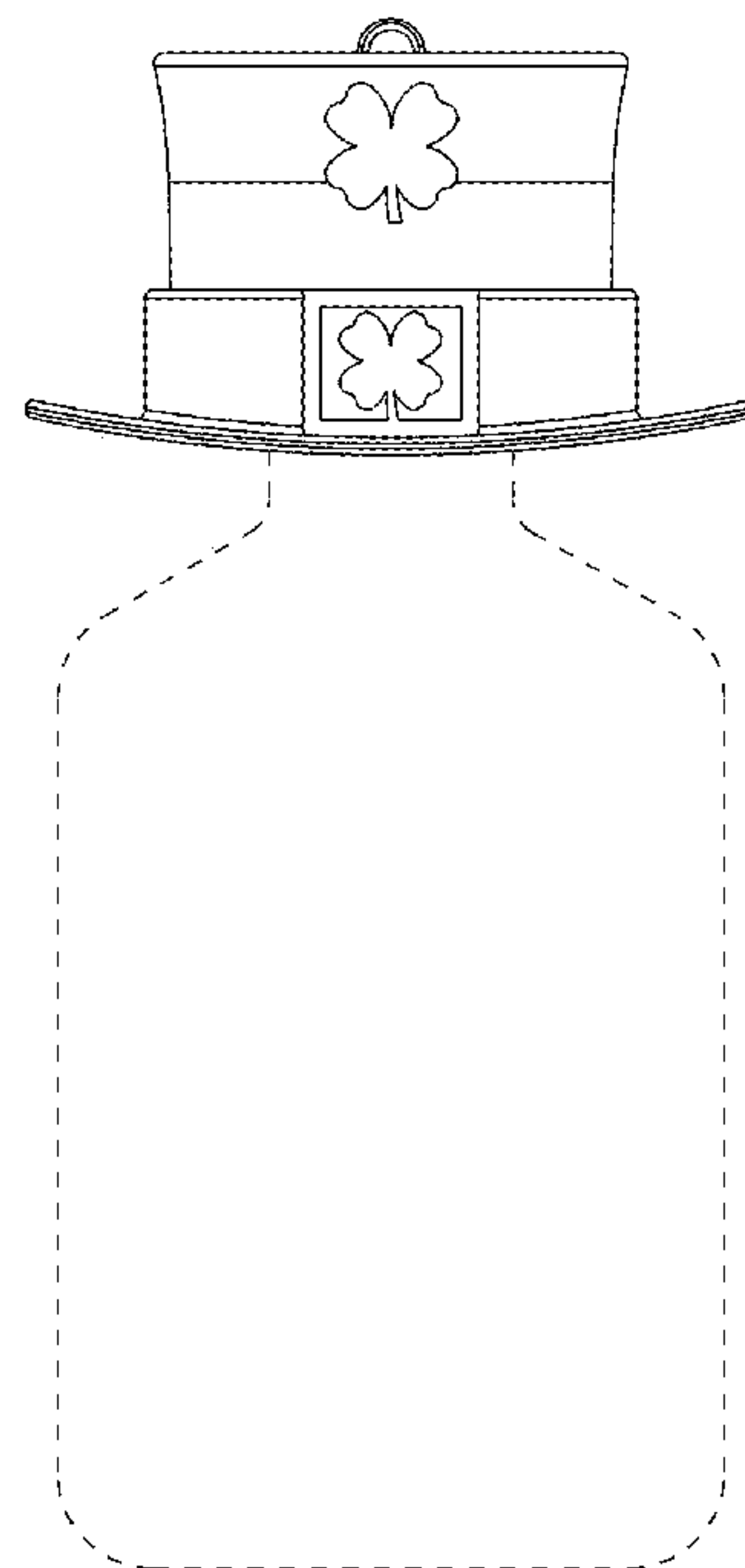
The ornamental design for a bottle cap hat, as shown and described.

DESCRIPTION

FIG. 1 is a front view showing my new design, the broken line showing of the bottle is for illustrative purposes only, and forms no part of the claimed design.
FIG. 2 Left view
FIG. 3 Right view
FIG. 4 Back view
FIG. 5 Top view
FIG. 6 Bottom view
FIG. 7 is a top perspective view; and,
FIG. 8 is a bottom perspective view.

(56) **References Cited**
U.S. PATENT DOCUMENTS
D18,839 S * 1/1889 Bowers D9/632
D48,440 S * 1/1916 Galitzki, Jr. D2/886

1 Claim, 8 Drawing Sheets



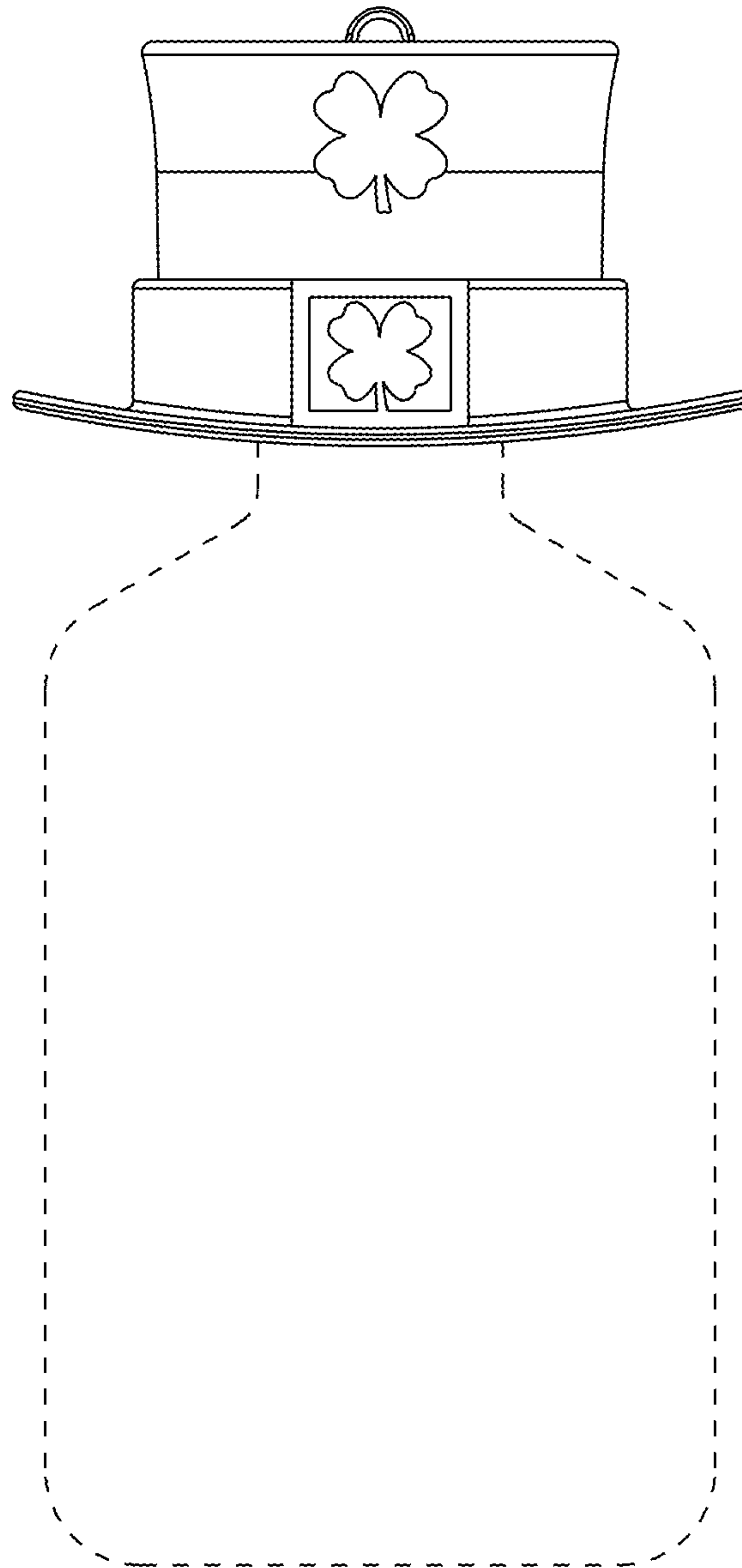


FIG. 1

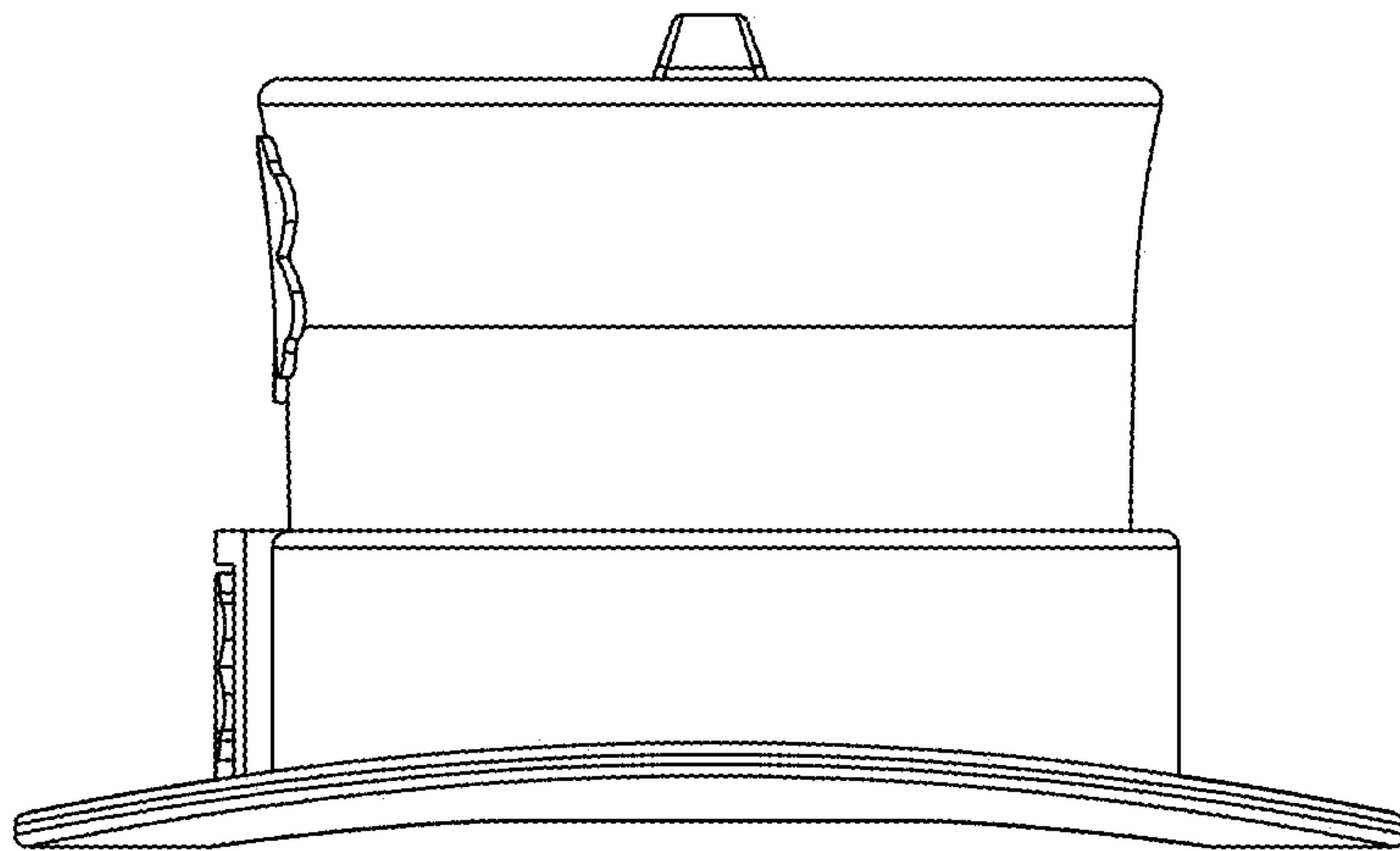


FIG. 2

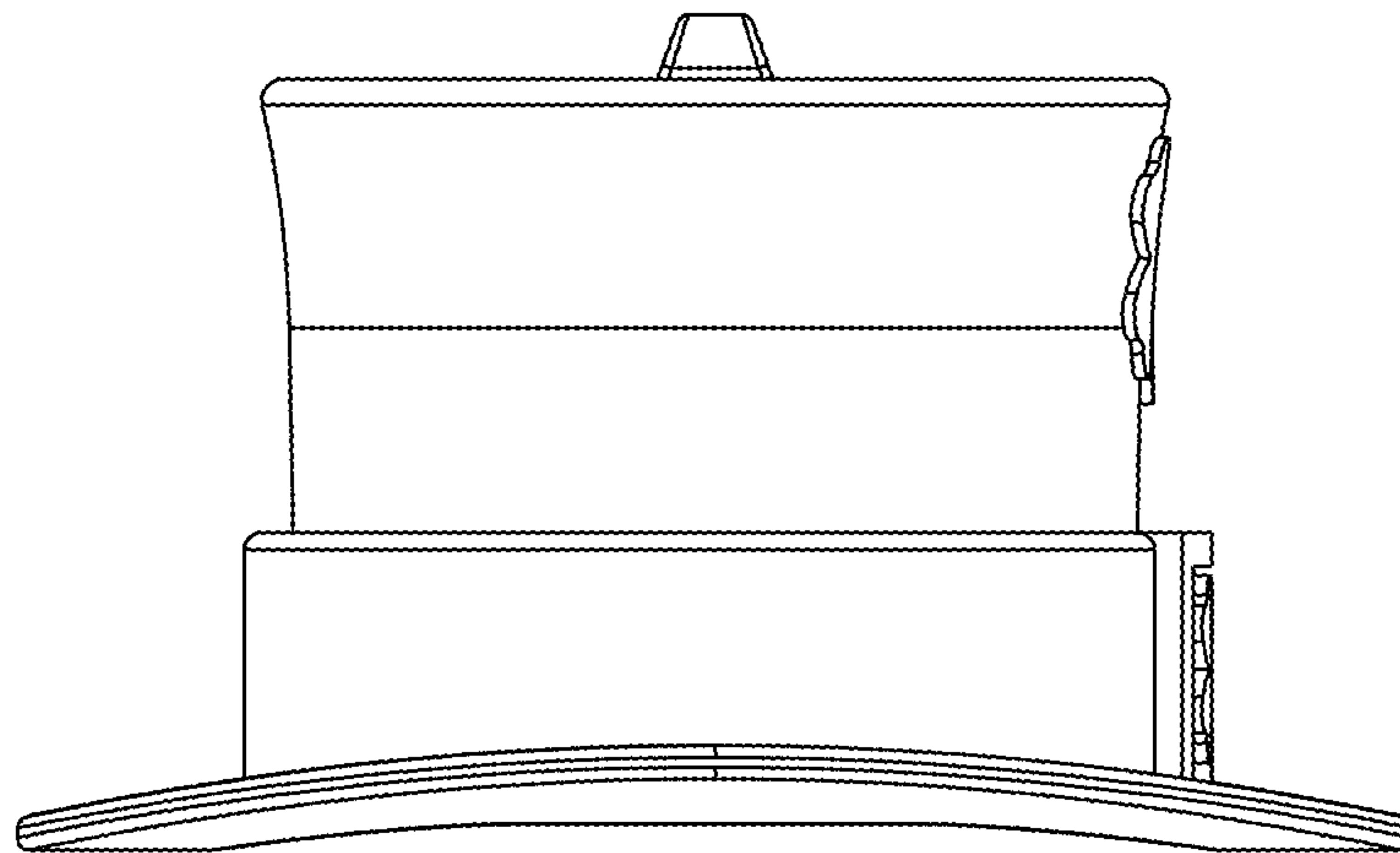


FIG. 3

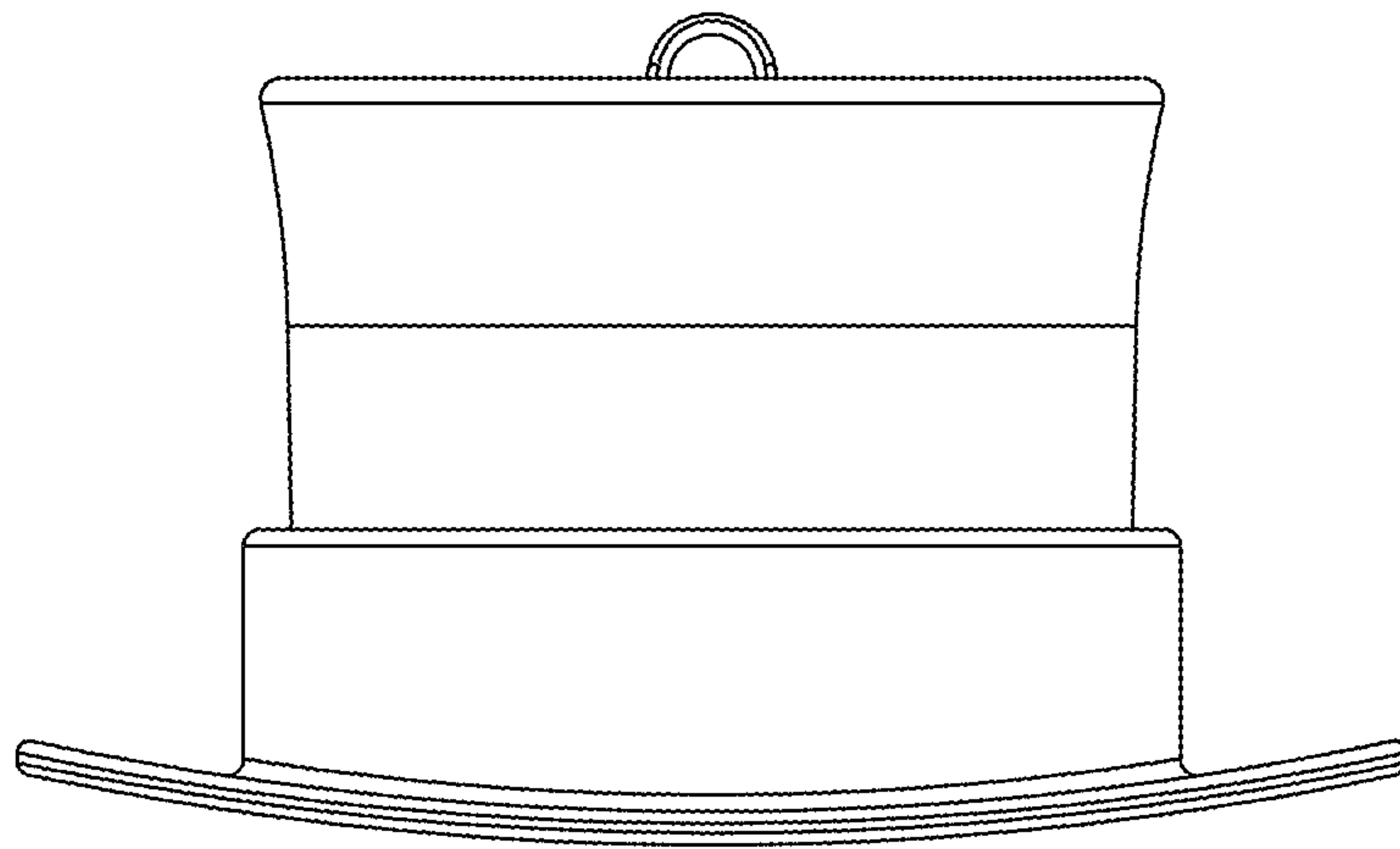


FIG. 4

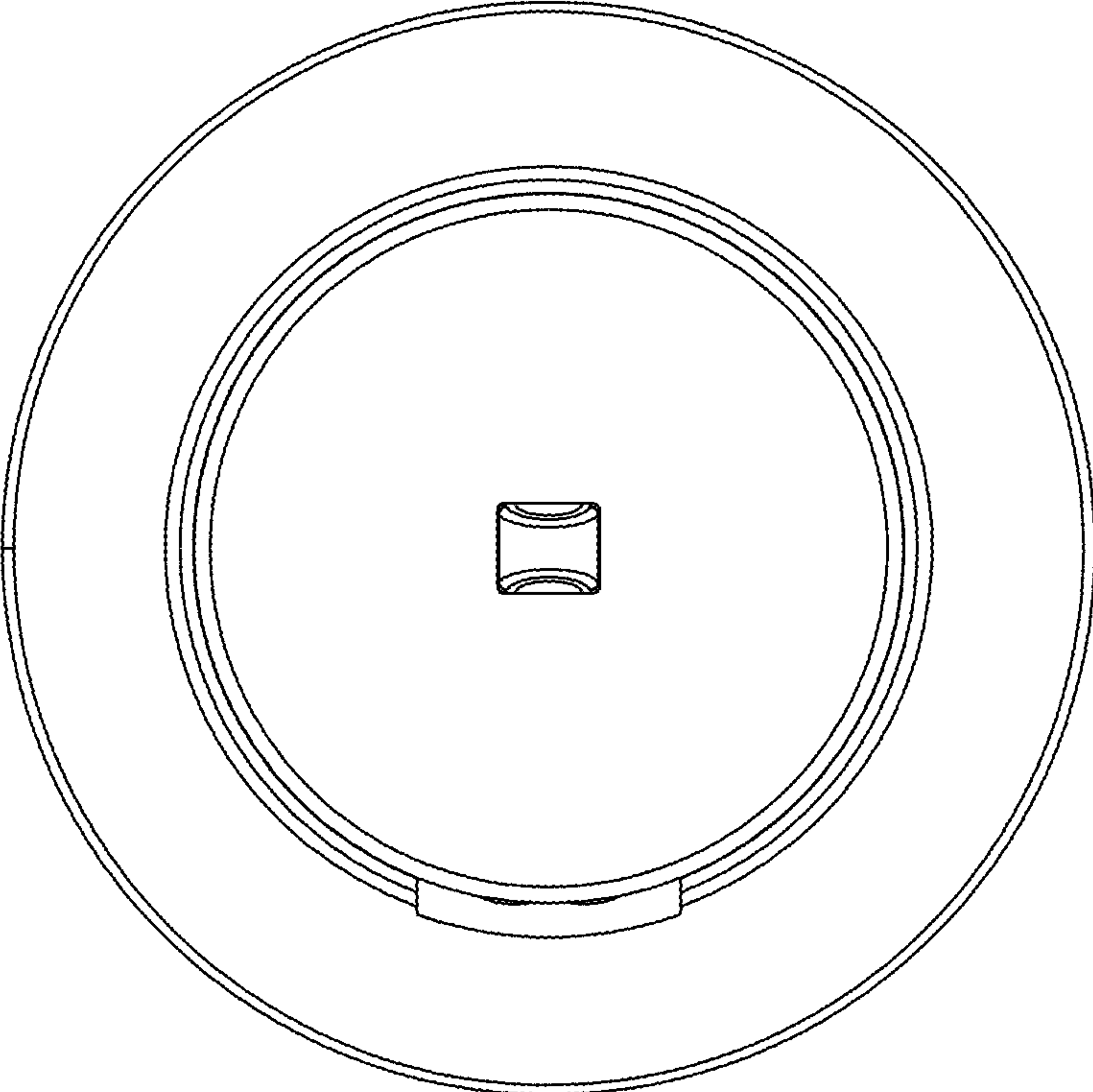


FIG. 5

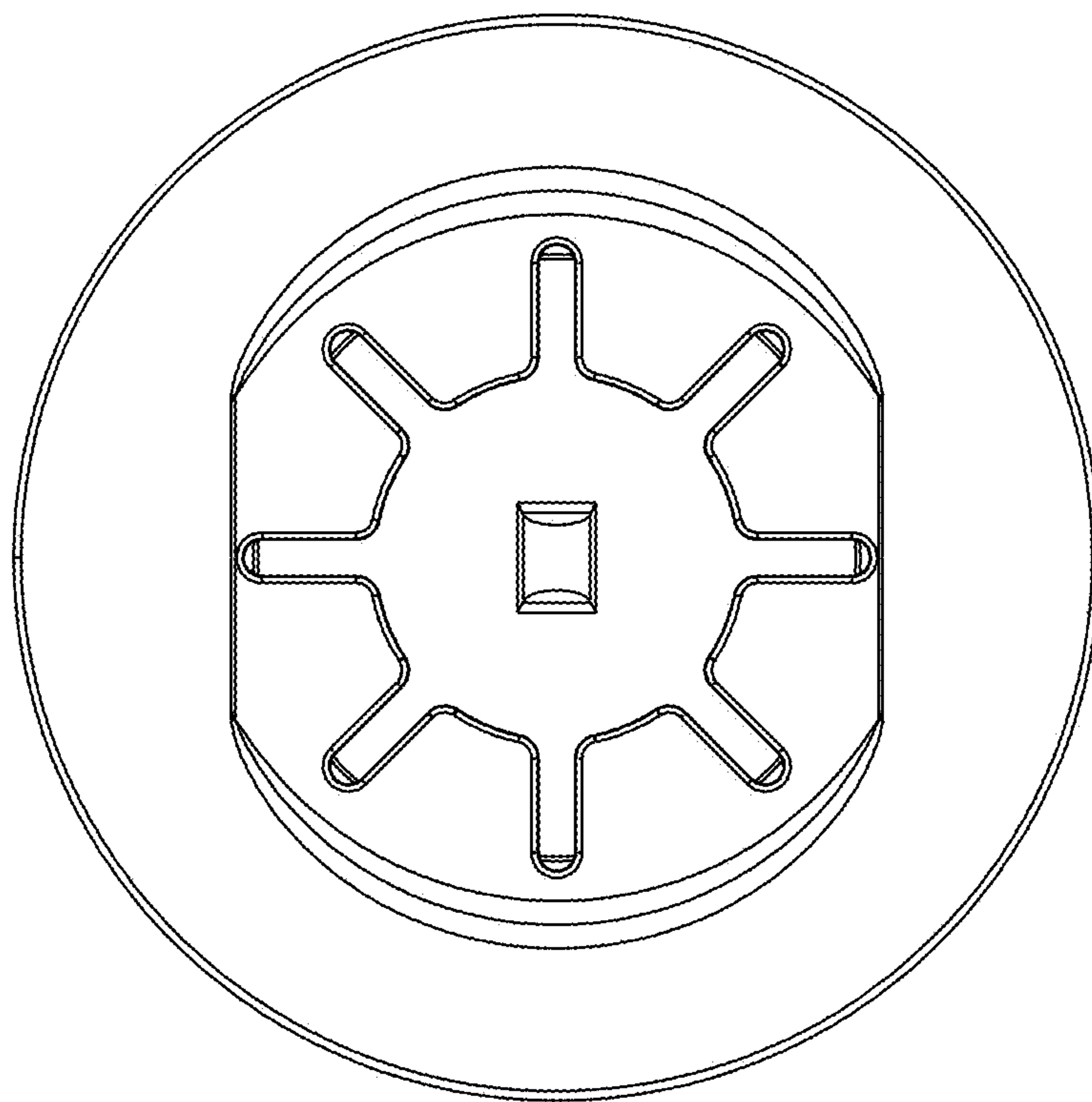


FIG. 6

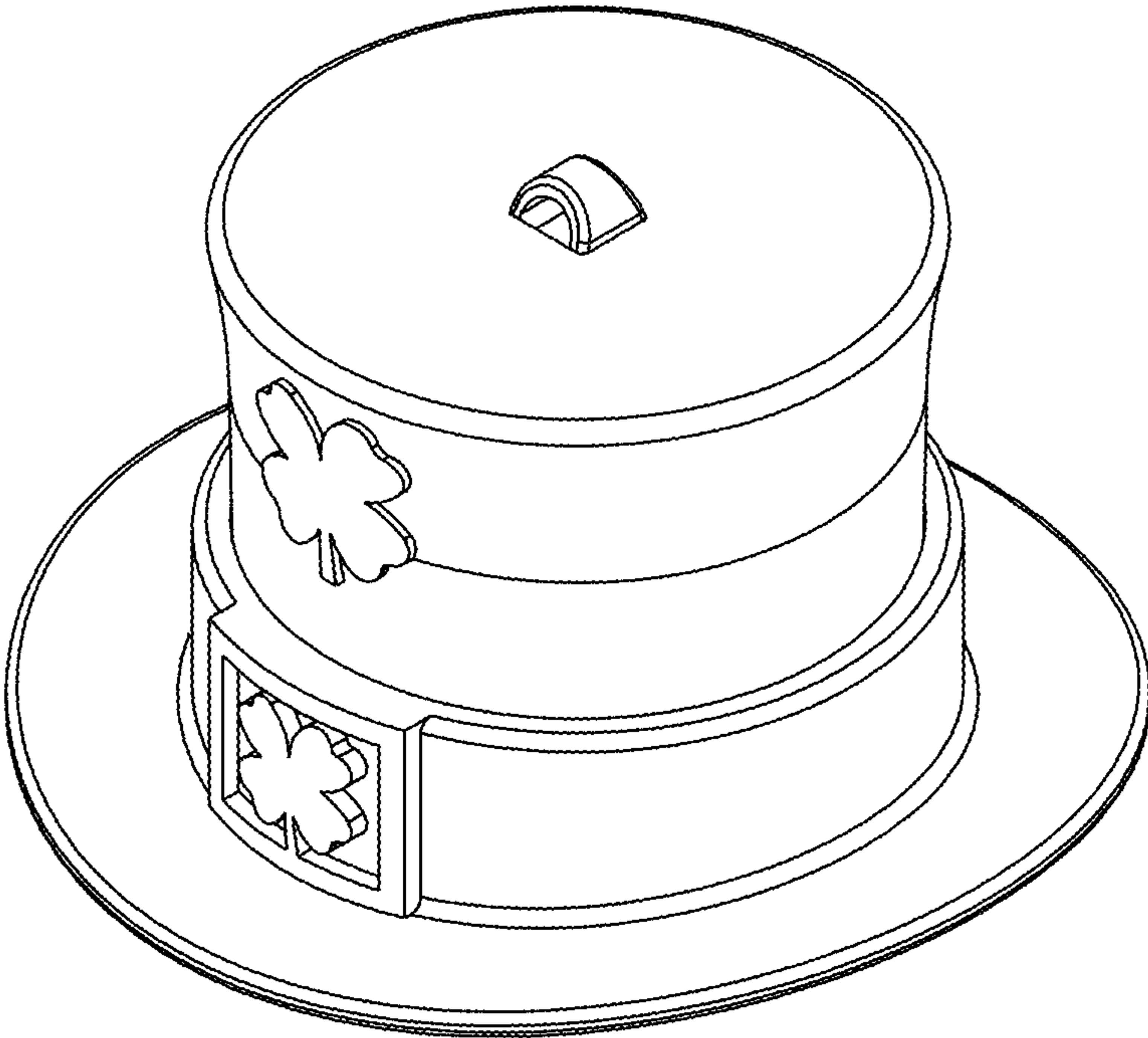


FIG. 7

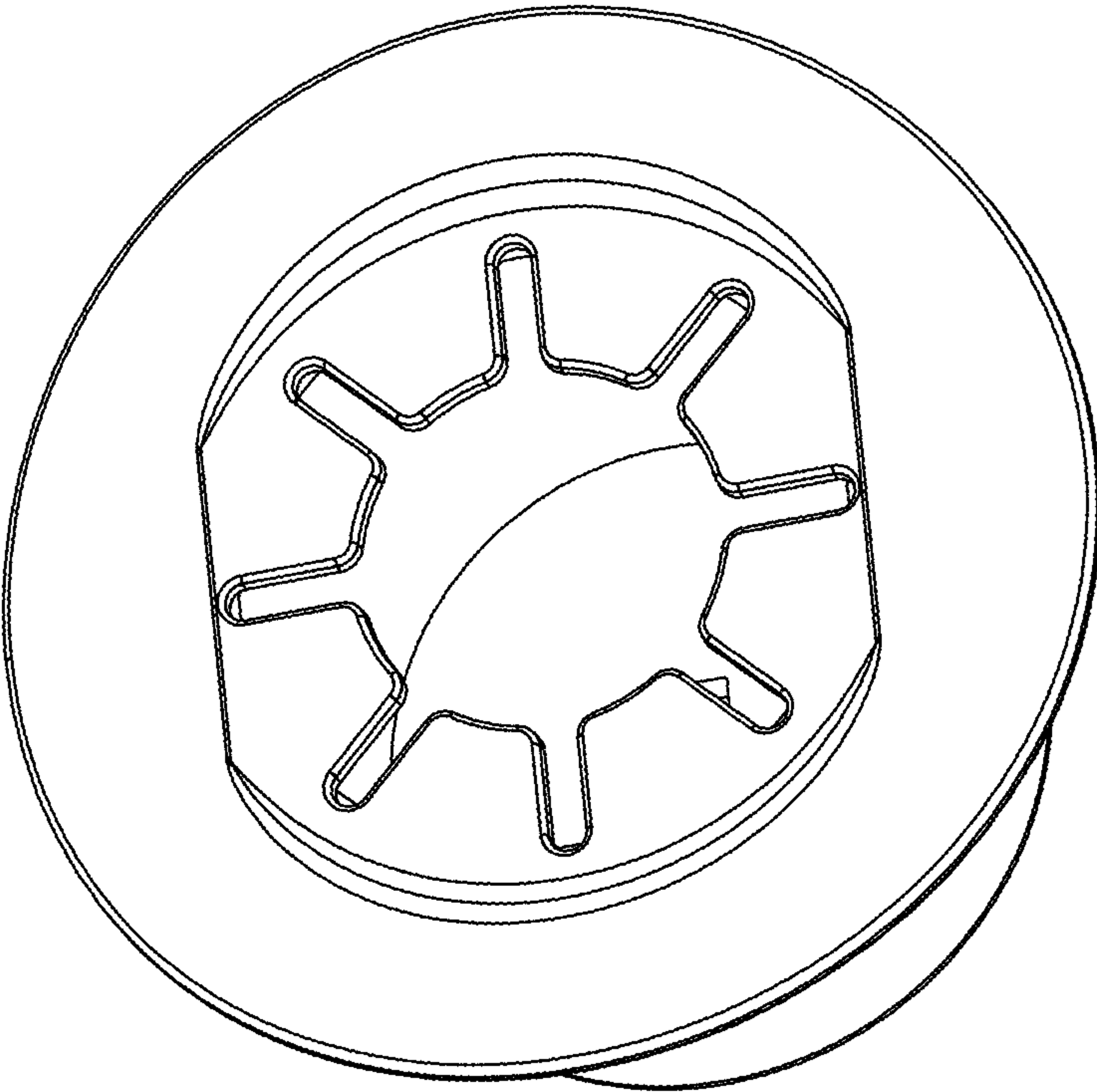


FIG. 8