



US00D834417S

(12) **United States Design Patent** (10) **Patent No.:** **US D834,417 S**  
**Luther** (45) **Date of Patent:** **\*\* Nov. 27, 2018**

(54) **BOTTLE CAP HAT**  
(71) Applicant: **Stephen John Luther**, Terryville, CT (US)  
(72) Inventor: **Stephen John Luther**, Terryville, CT (US)  
(\*\*) Term: **15 Years**  
(21) Appl. No.: **29/603,116**  
(22) Filed: **May 5, 2017**  
(51) **LOC (11) Cl.** ..... **09-07**  
(52) **U.S. Cl.**  
USPC ..... **D9/451**  
(58) **Field of Classification Search**  
USPC ..... D7/514-517, 519-520, 539, 604, 613, D7/619.2, 623, 628, 392.1; D9/600-601, D9/614-619, 632, 434, 436, 441, D9/444-454; 206/494, 457, 459.1, 459.2; 220/890; 215/206, 260, 387-400; D2/869-874, 885-888; D11/158-160; D21/631, 635  
CPC ..... B65D 67/00; B65D 81/36; B65D 81/365; B65D 81/366; B65D 81/368; B65D 41/00; B65D 41/02; B65D 51/245; A63H 33/16  
See application file for complete search history.

D416,799 S \* 11/1999 Adams ..... D9/451  
D471,060 S \* 3/2003 Salsman ..... D7/392.1  
D507,181 S \* 7/2005 Malik ..... D9/451  
D566,461 S \* 4/2008 McDonald ..... D7/515  
D583,231 S \* 12/2008 Koehnke ..... D9/441  
D597,789 S \* 8/2009 McDonald ..... D9/441  
D629,648 S \* 12/2010 McDonald ..... D7/392.1  
D663,575 S \* 7/2012 Carroll ..... D7/392.1  
D698,597 S \* 2/2014 Malik ..... D7/392.1  
D698,599 S \* 2/2014 Malik ..... D7/392.1  
8,701,907 B1 \* 4/2014 Mallicoat ..... B65D 51/245  
215/228  
D720,172 S \* 12/2014 Giraldez ..... D7/517  
D771,499 S \* 11/2016 Konieczny ..... D9/618  
D775,895 S \* 1/2017 Mayberry ..... D7/515

\* cited by examiner

*Primary Examiner* — Sandra L Morris  
(74) *Attorney, Agent, or Firm* — Ingenium Patents LLC; Peter R. Kramer

(57) **CLAIM**

The ornamental design for a bottle cap hat, as shown and described.

**DESCRIPTION**

FIG. 1 is a front view showing my new design, the broken line showing of the bottle is for illustrative purposes only, and forms no part of the claimed design.

FIG. 2 Left view

FIG. 3 Right view

FIG. 4 Back view

FIG. 5 Top view

FIG. 6 Bottom view

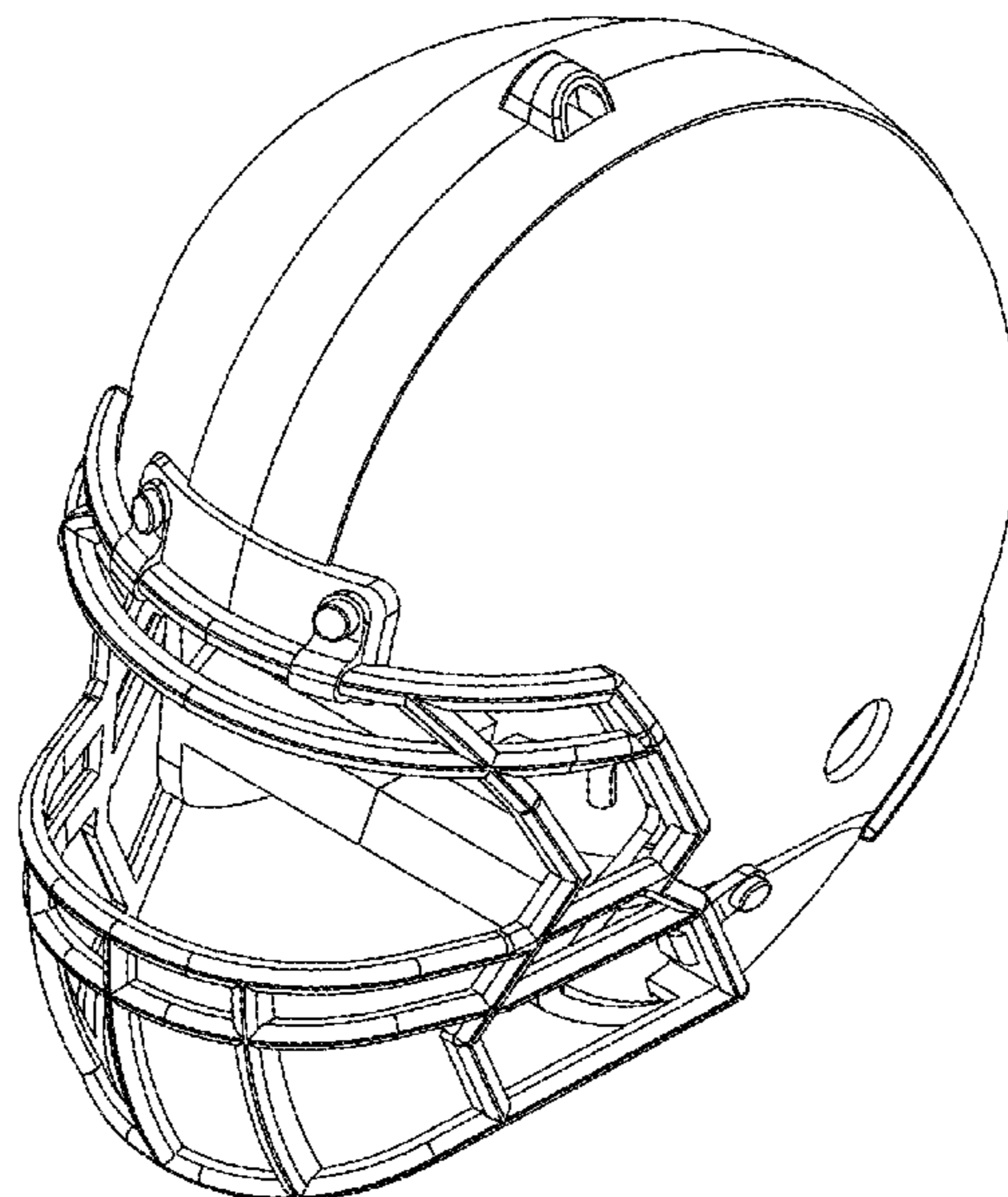
FIG. 7 is a top perspective view; and,

FIG. 8 is a bottom perspective view.

**1 Claim, 8 Drawing Sheets**

(56) **References Cited**  
U.S. PATENT DOCUMENTS

D330,857 S \* 11/1992 Kidd ..... D9/451  
D379,149 S \* 5/1997 Powell ..... D9/451  
D383,953 S \* 9/1997 DeFilippo ..... D2/869  
D408,236 S \* 4/1999 Rennick ..... D29/106



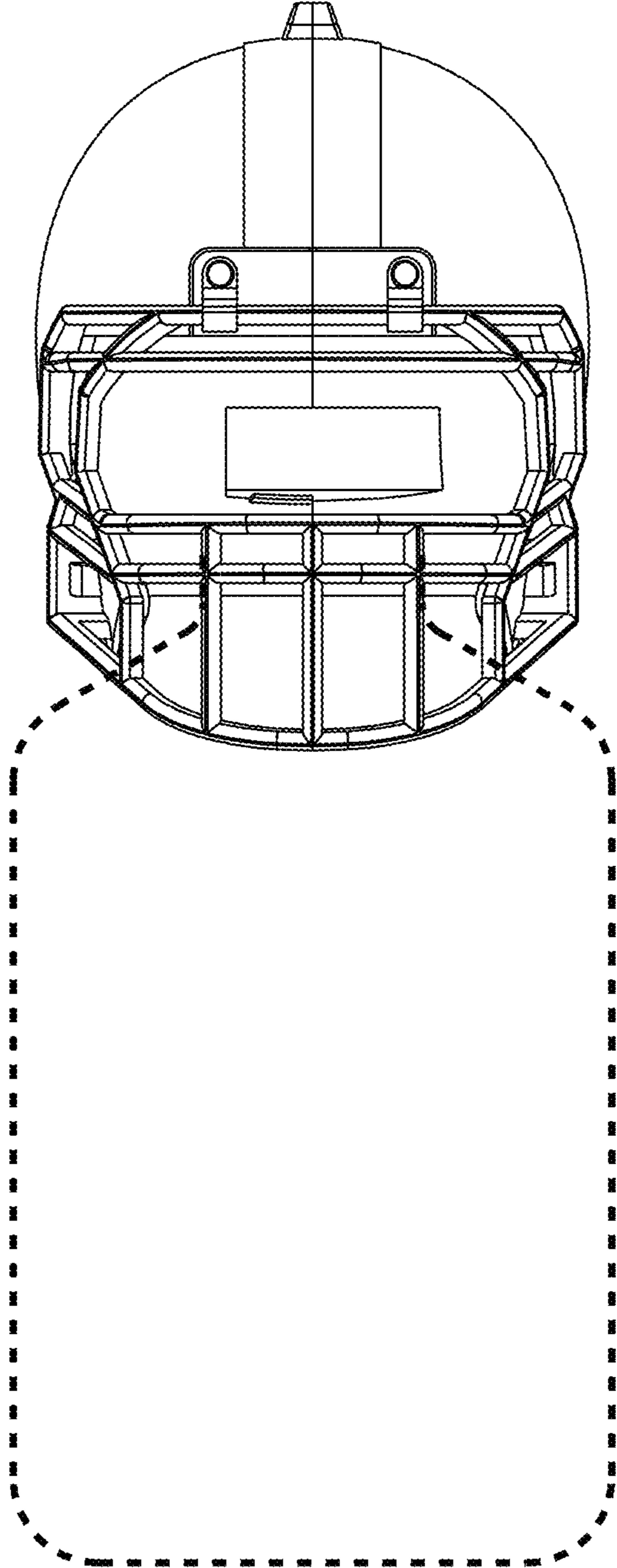


FIG. 1

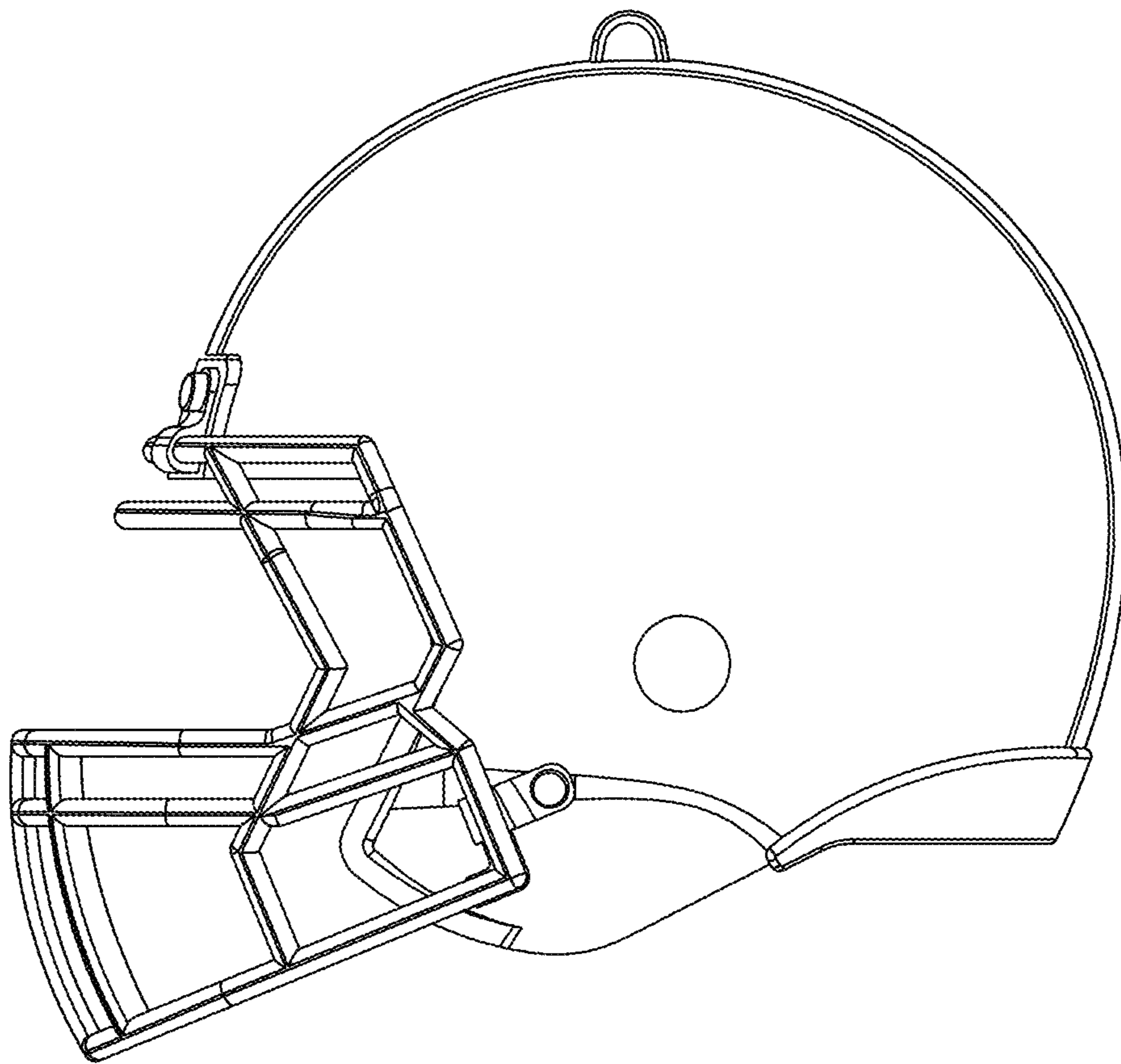


FIG. 2

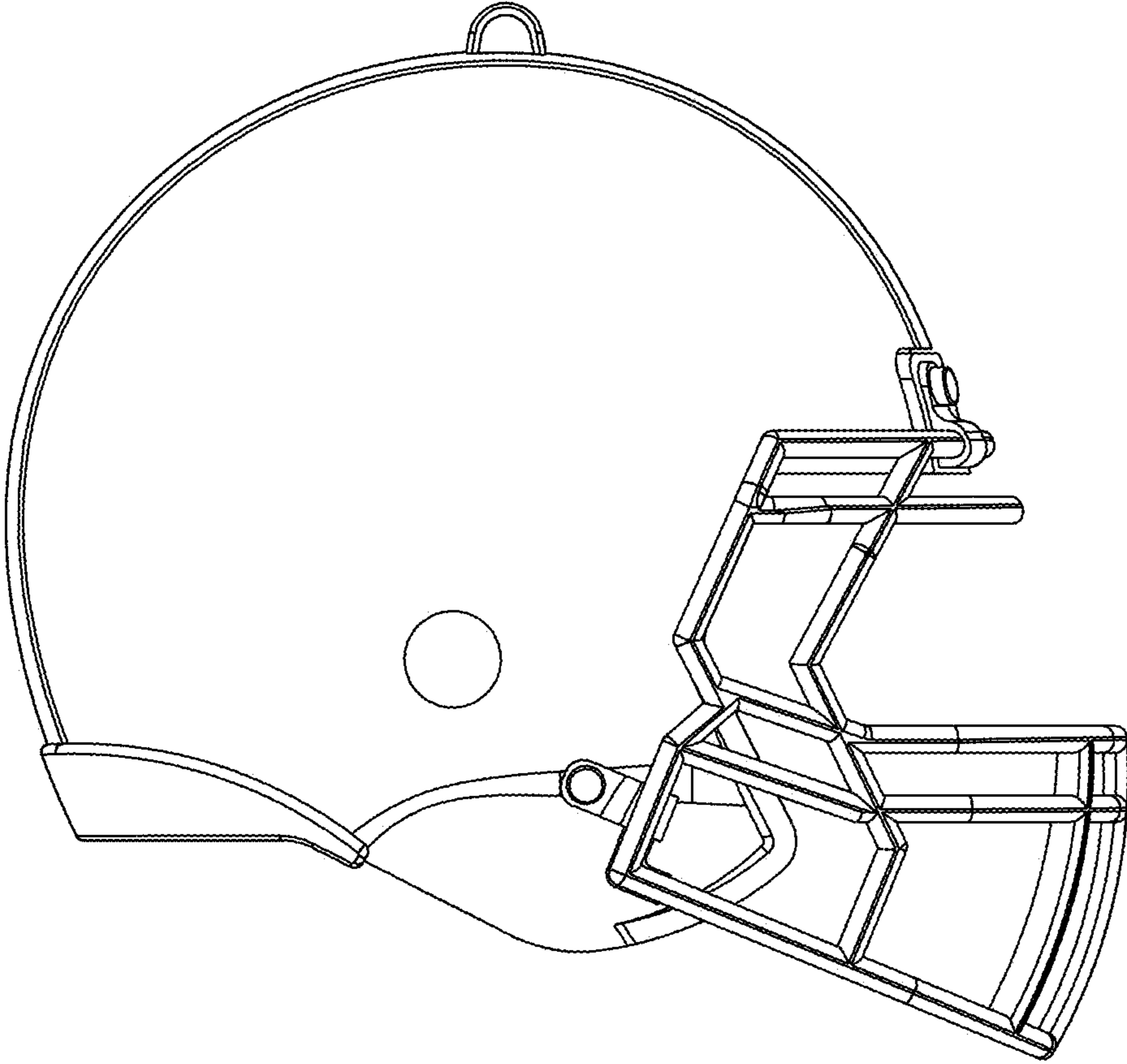


FIG. 3

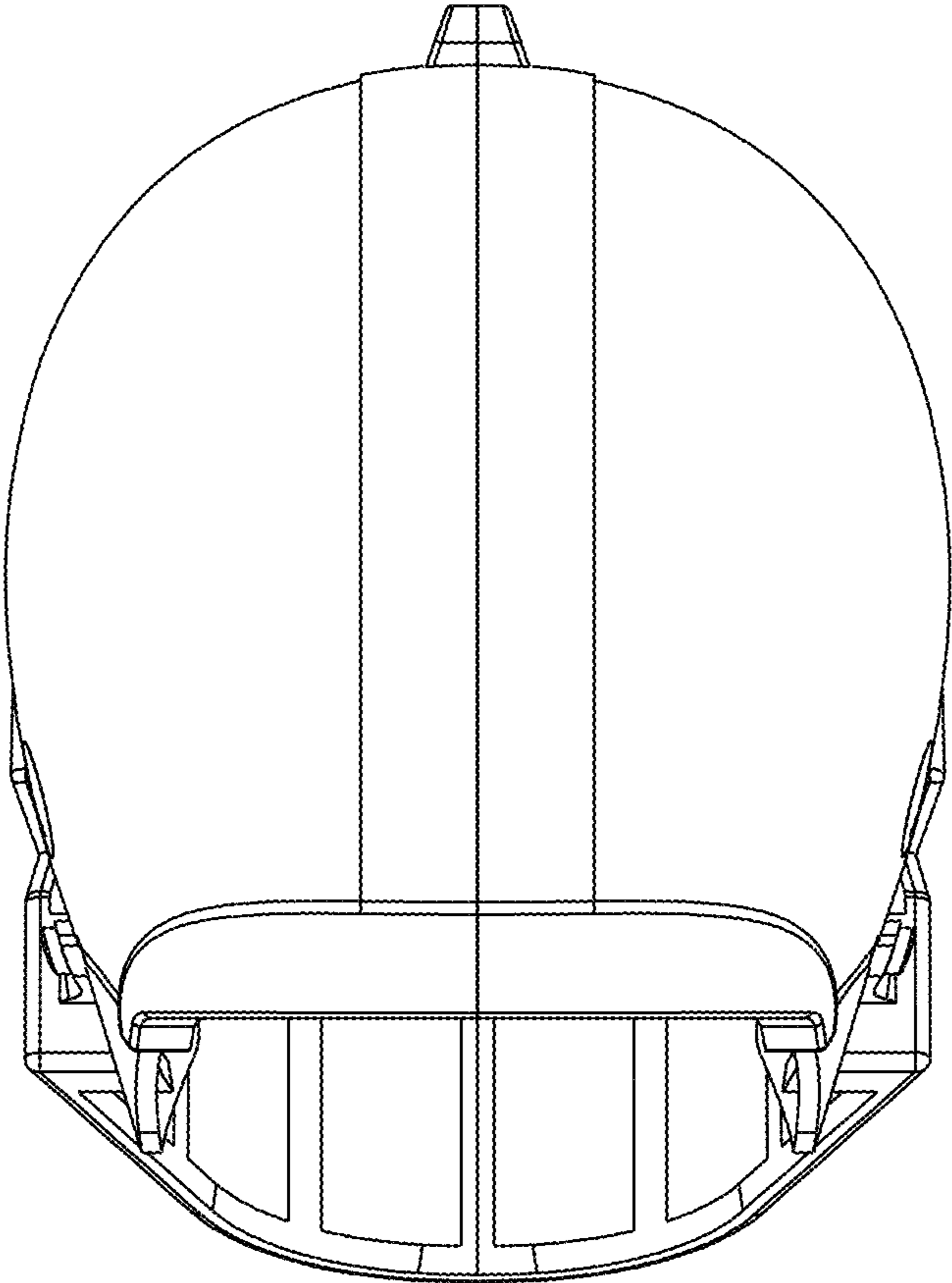


FIG. 4



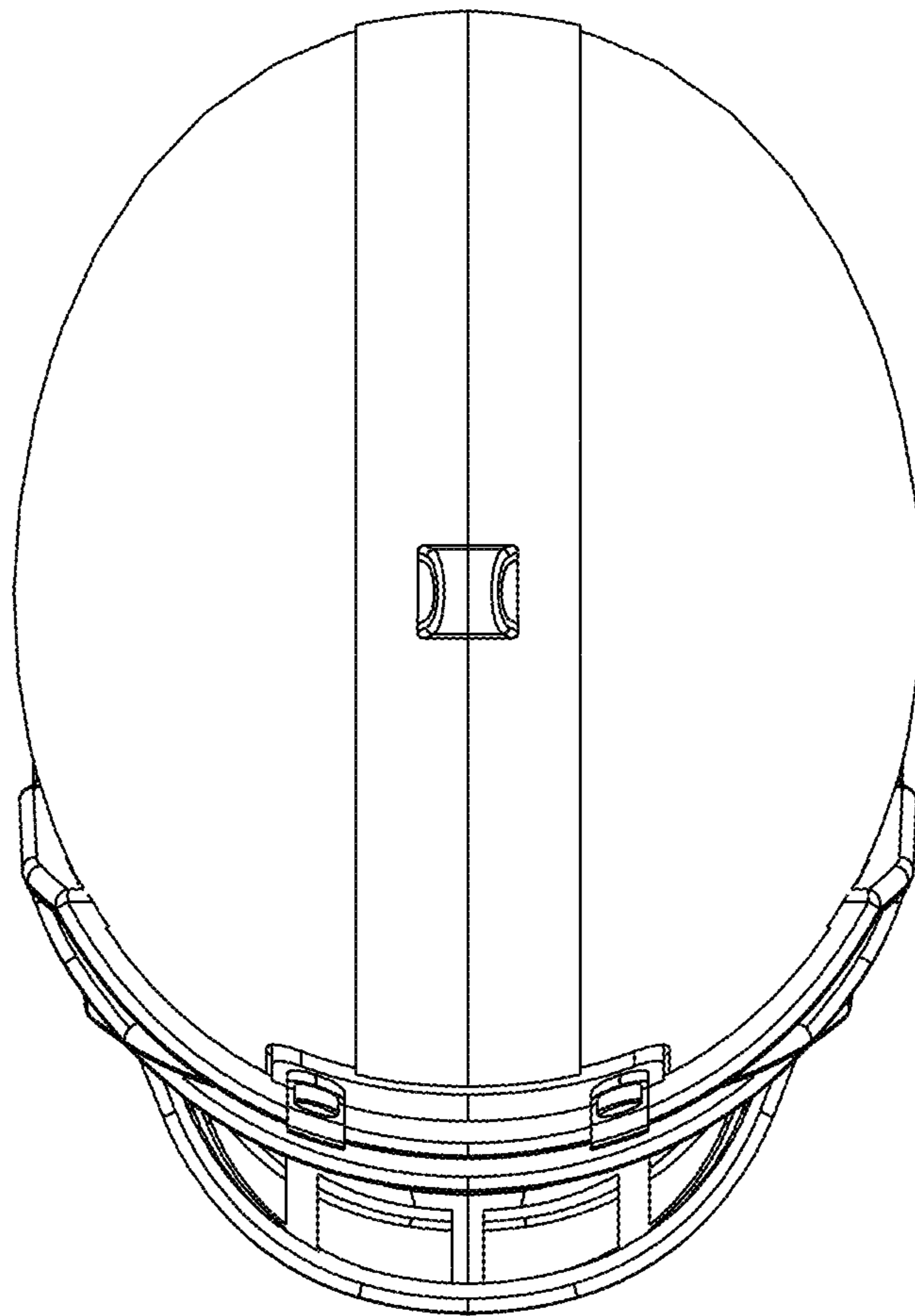


FIG. 5

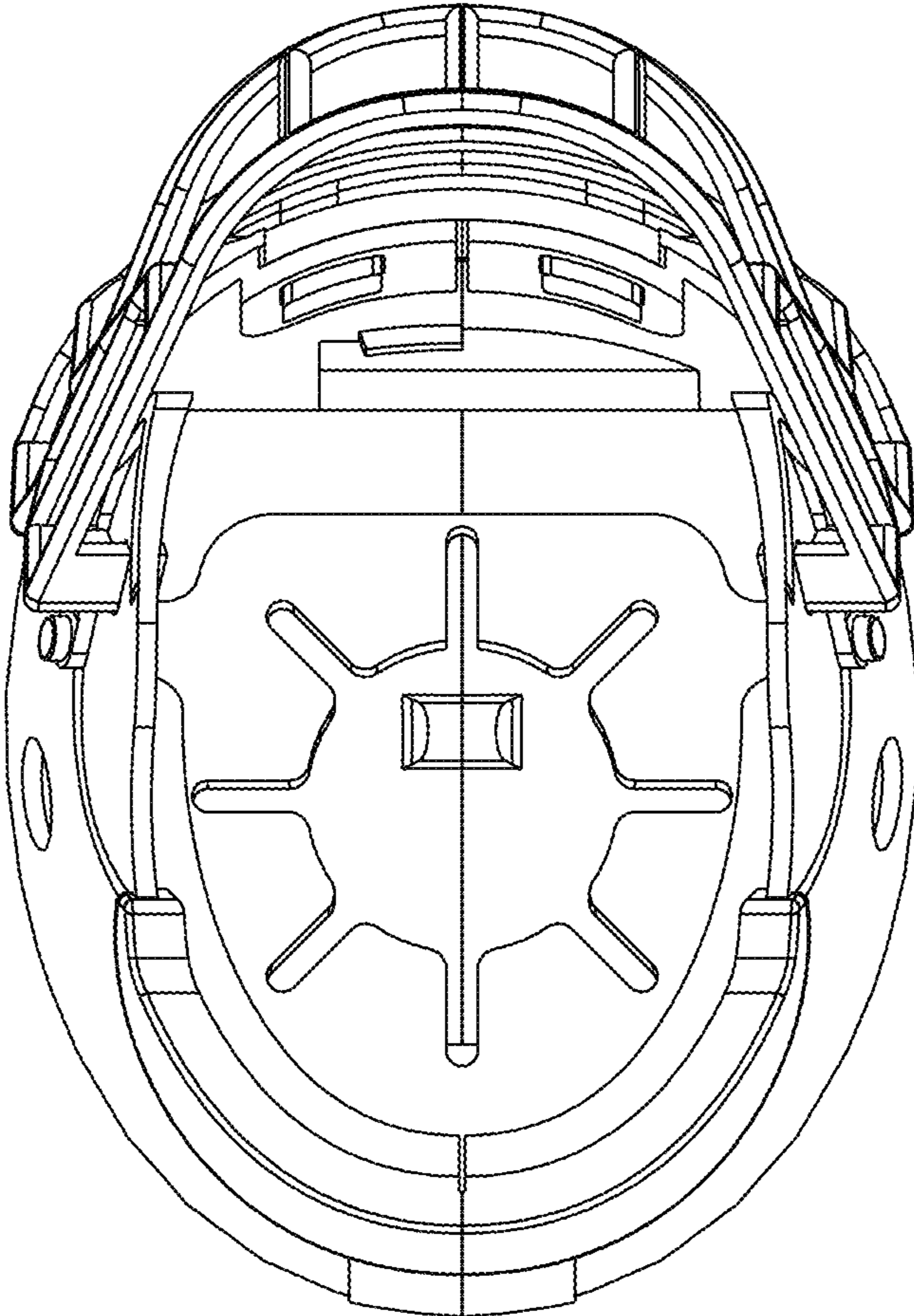


FIG. 6

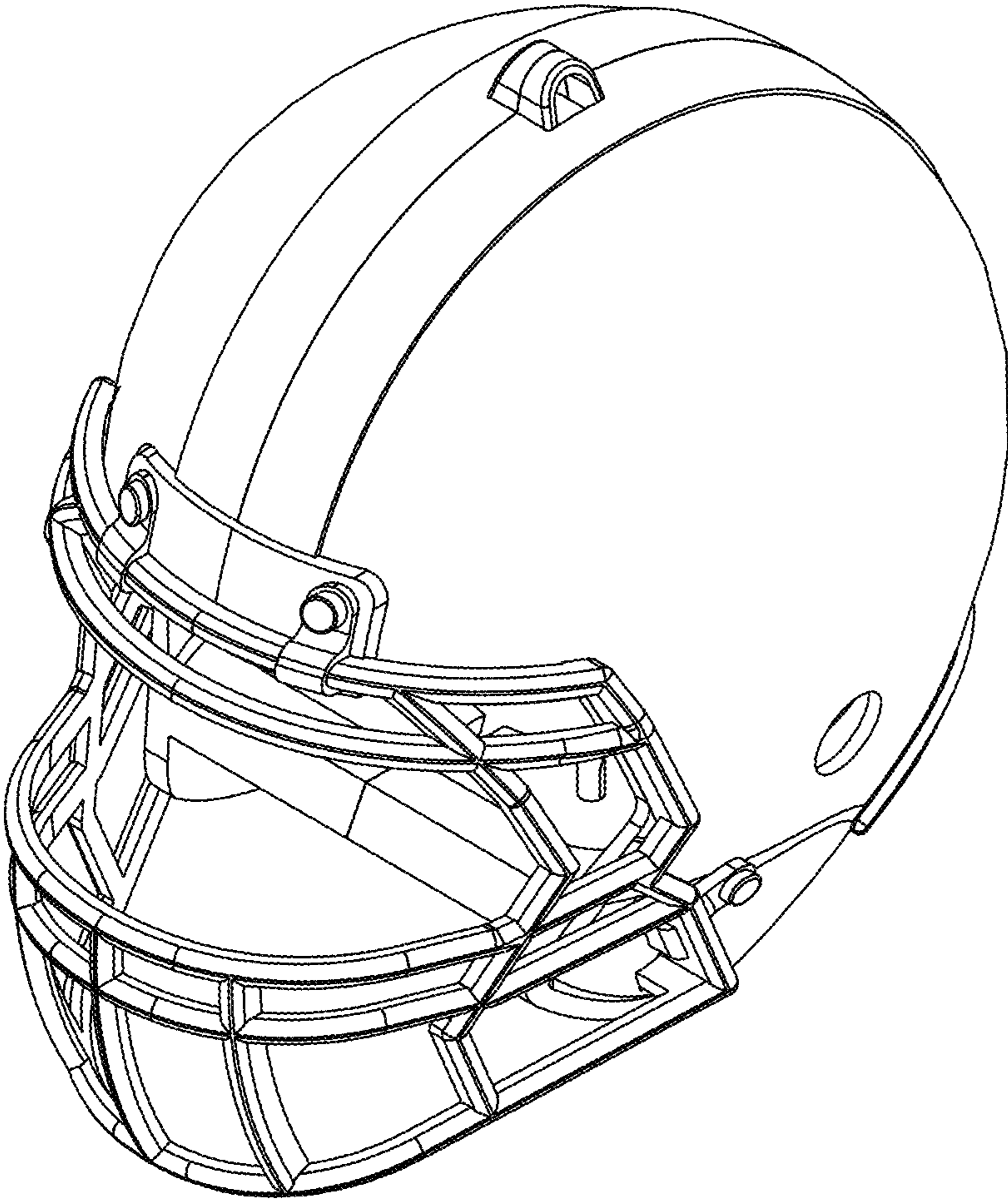


FIG. 7



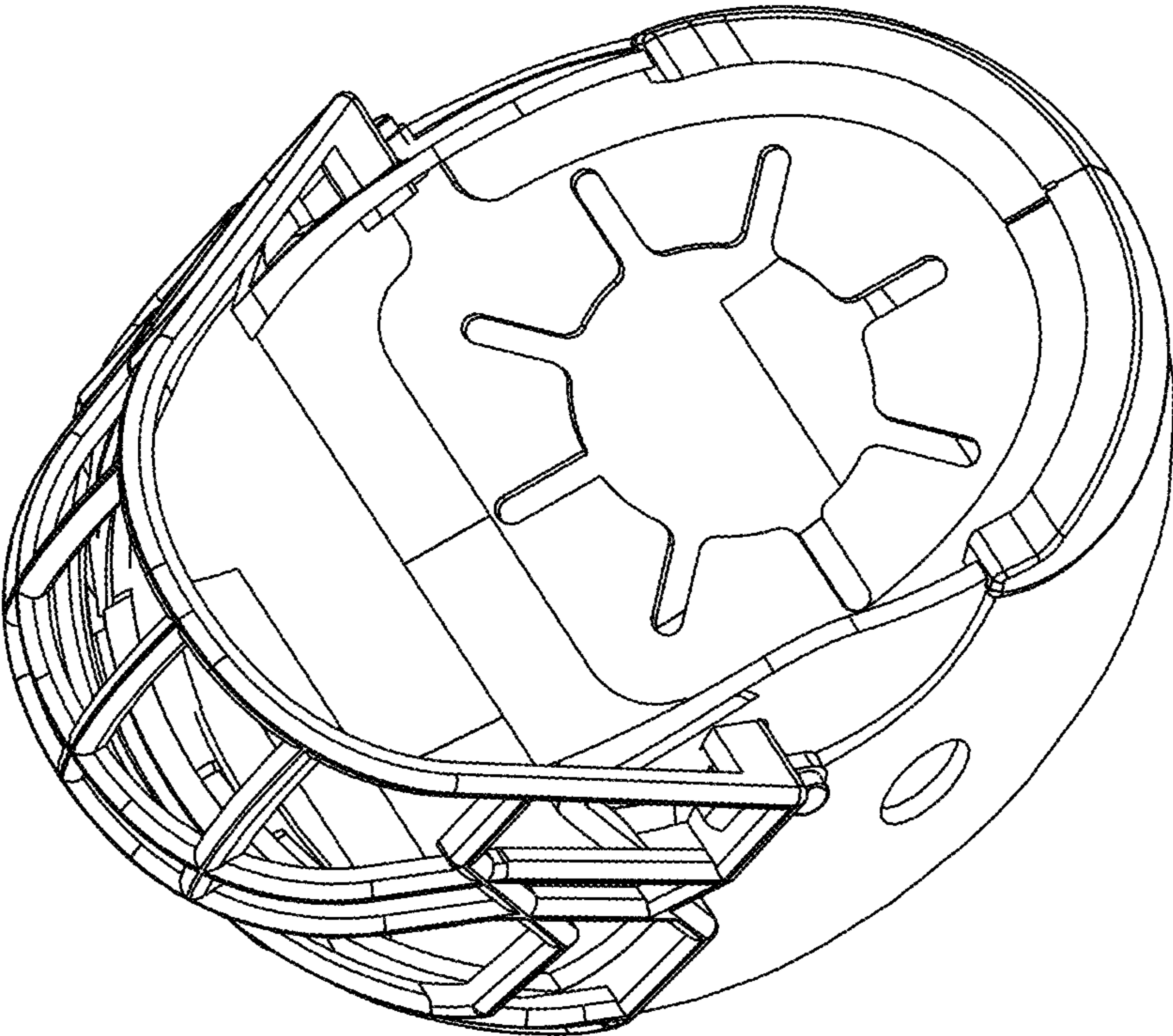


FIG. 8