



US00D834416S

(12) **United States Design Patent** (10) **Patent No.:** **US D834,416 S**
Luther (45) **Date of Patent:** **** Nov. 27, 2018**

(54) **BOTTLE CAP HAT**
(71) Applicant: **Stephen John Luther**, Terryville, CT (US)
(72) Inventor: **Stephen John Luther**, Terryville, CT (US)
(**) Term: **15 Years**
(21) Appl. No.: **29/603,113**
(22) Filed: **May 5, 2017**
(51) **LOC (11) Cl.** **09-07**
(52) **U.S. Cl.**
USPC **D9/451**
(58) **Field of Classification Search**
USPC D7/514-517, 519-520, 539, 604, 613, D7/619.2, 623, 628, 392.1; D9/600-601, D9/614-619, 632, 434, 436, 441, D9/444-454; 206/494, 457, 459.1, 459.2; 220/890; 215/206, 260, 387-400; D2/869-874, 885-888; D11/158-160; D21/631, 639-640
CPC B65D 67/00; B65D 81/36; B65D 81/365; B65D 81/366; B65D 81/368; B65D 41/00; B65D 41/02; B65D 51/245; A63H 33/16
See application file for complete search history.

D538,513 S * 3/2007 Serratelli D2/888
D554,504 S * 11/2007 Buoy D9/451
D597,283 S * 8/2009 Timms D2/888
D723,854 S * 3/2015 Giraldez D9/616
D727,150 S * 4/2015 Leitch D2/887

* cited by examiner

Primary Examiner — Sandra L Morris
(74) *Attorney, Agent, or Firm* — Ingenium Patents LLC; Peter R. Kramer

(57) **CLAIM**

The ornamental design for a bottle cap hat, as shown and described.

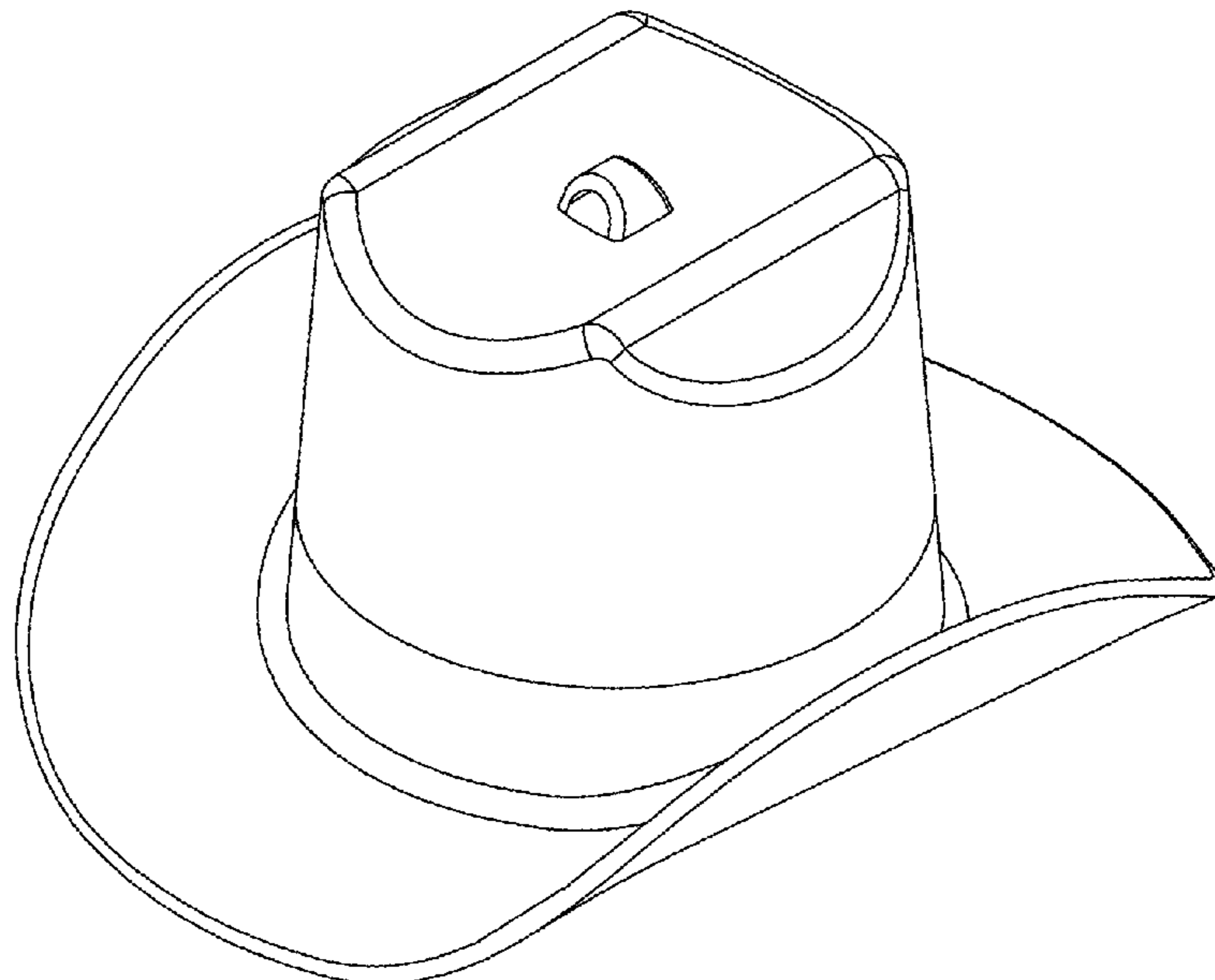
DESCRIPTION

FIG. 1 is a front view showing my new design, the broken line showing of the bottle is for illustrative purposes only, and forms no part of the claimed design.
FIG. 2 Left view
FIG. 3 Right view
FIG. 4 Back view
FIG. 5 Top view
FIG. 6 Bottom view
FIG. 7 is a top perspective view; and,
FIG. 8 is a bottom perspective view.

(56) **References Cited**
U.S. PATENT DOCUMENTS

D474,326 S * 5/2003 Williams D2/886
D513,988 S * 1/2006 Malik D9/451

1 Claim, 8 Drawing Sheets



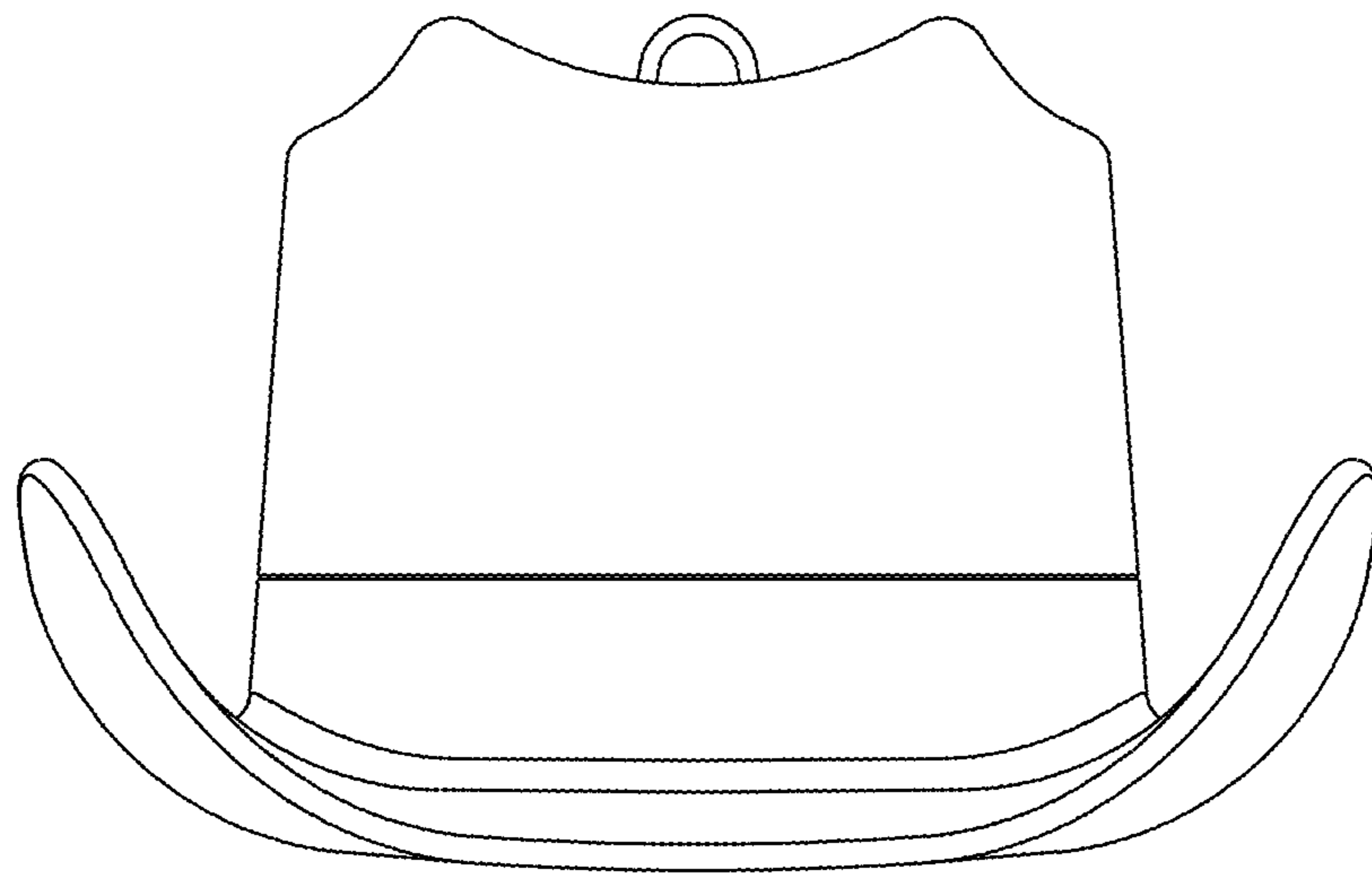


FIG. 1

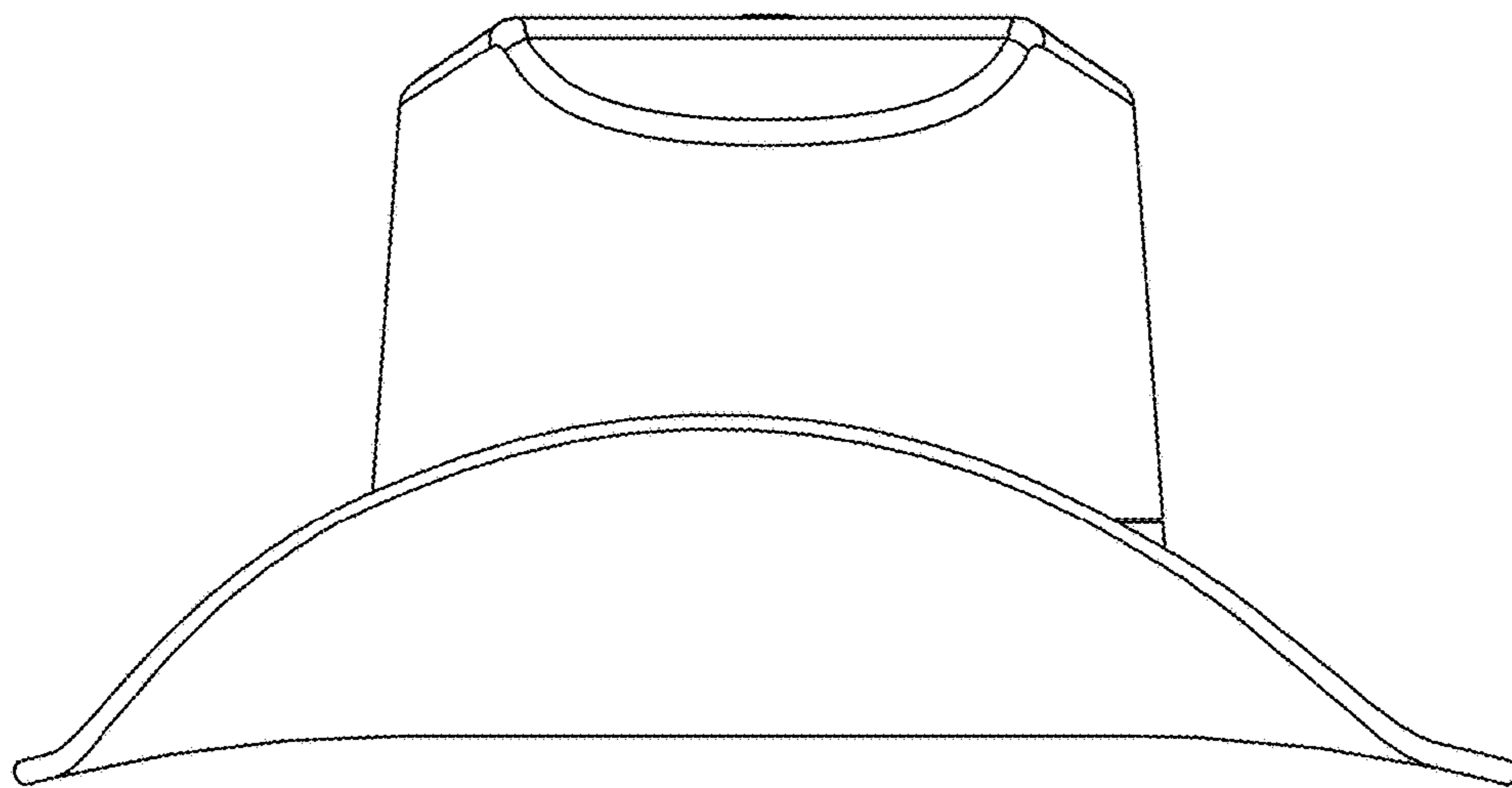


FIG. 2

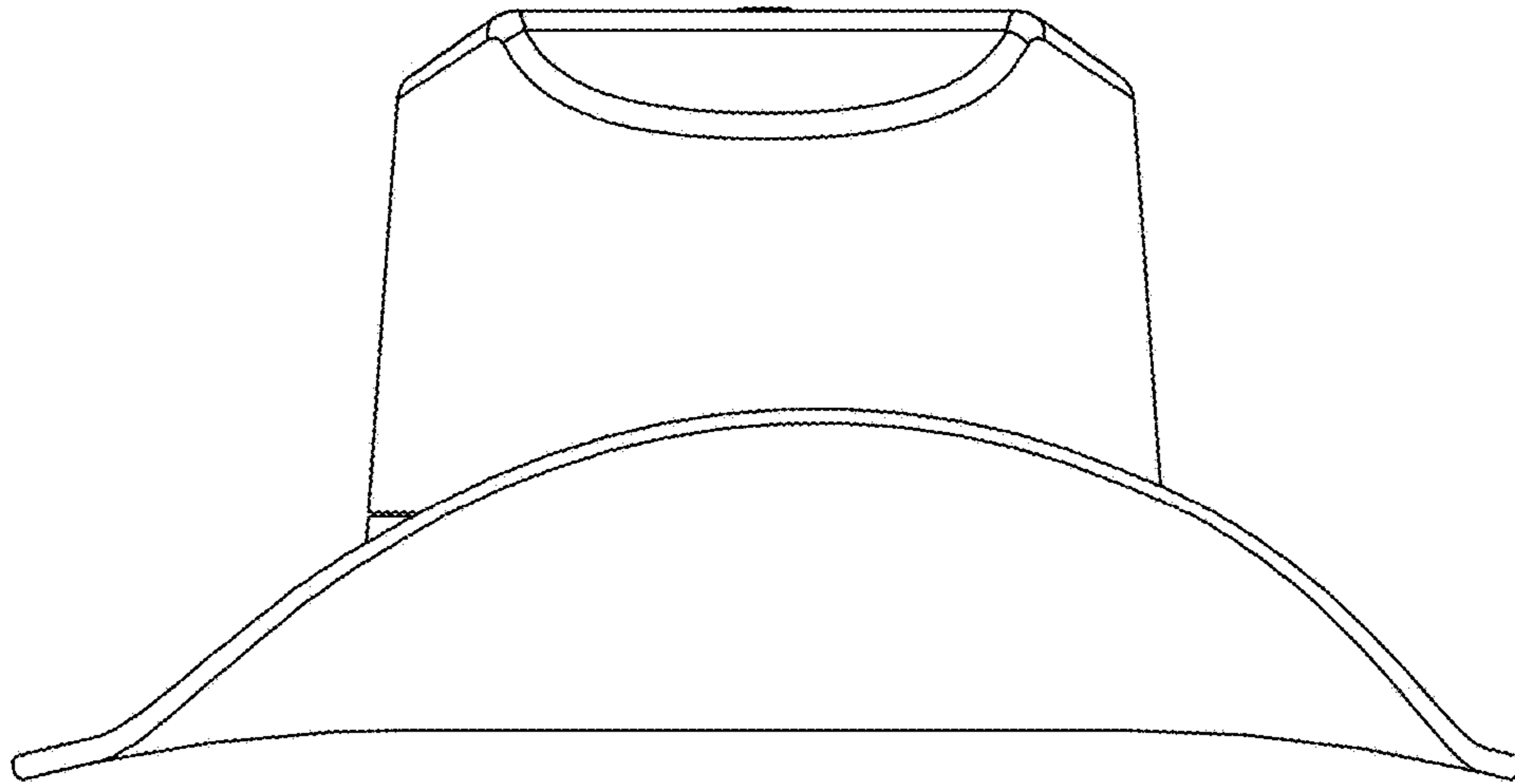


FIG. 3

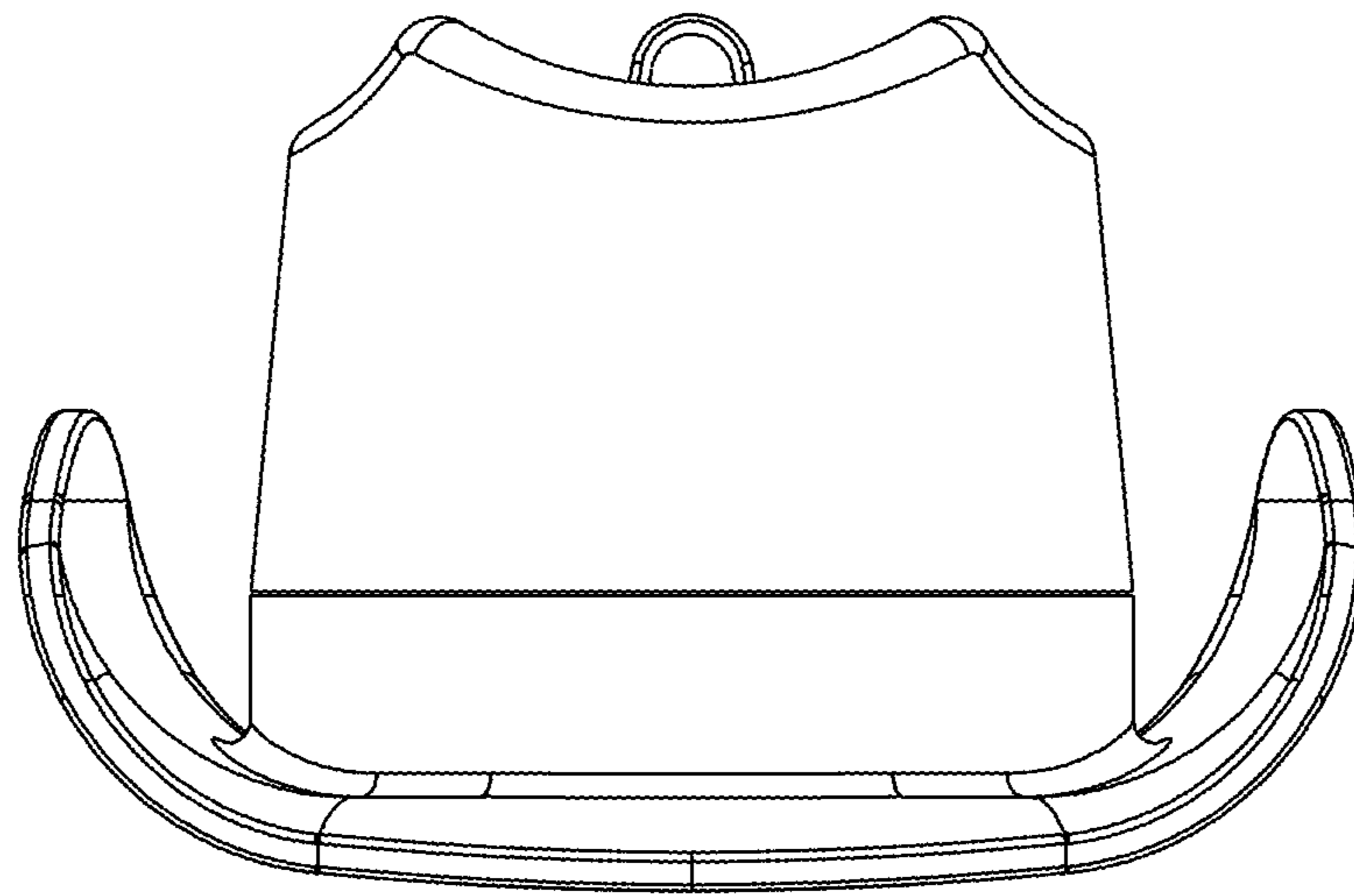


FIG. 4

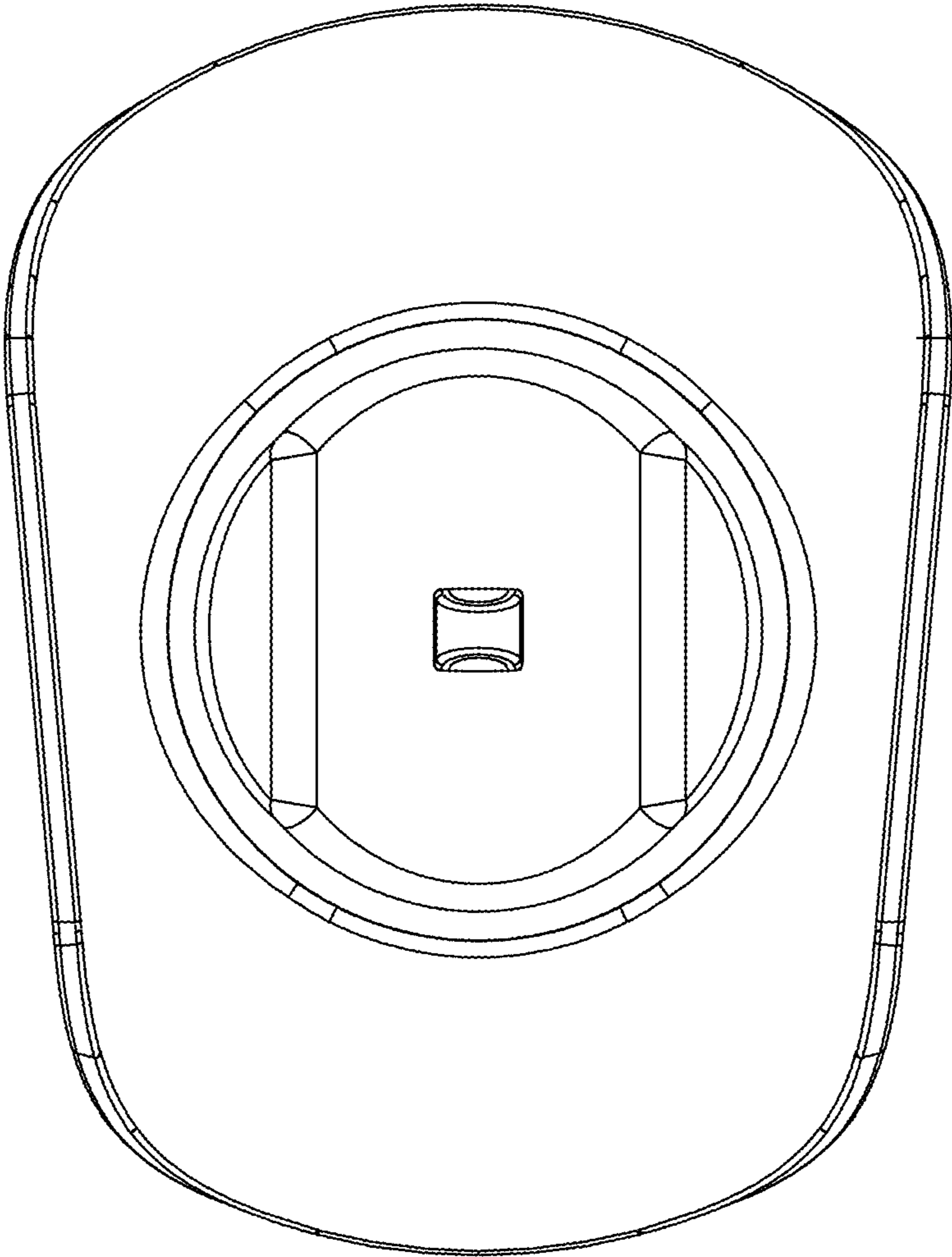


FIG. 5

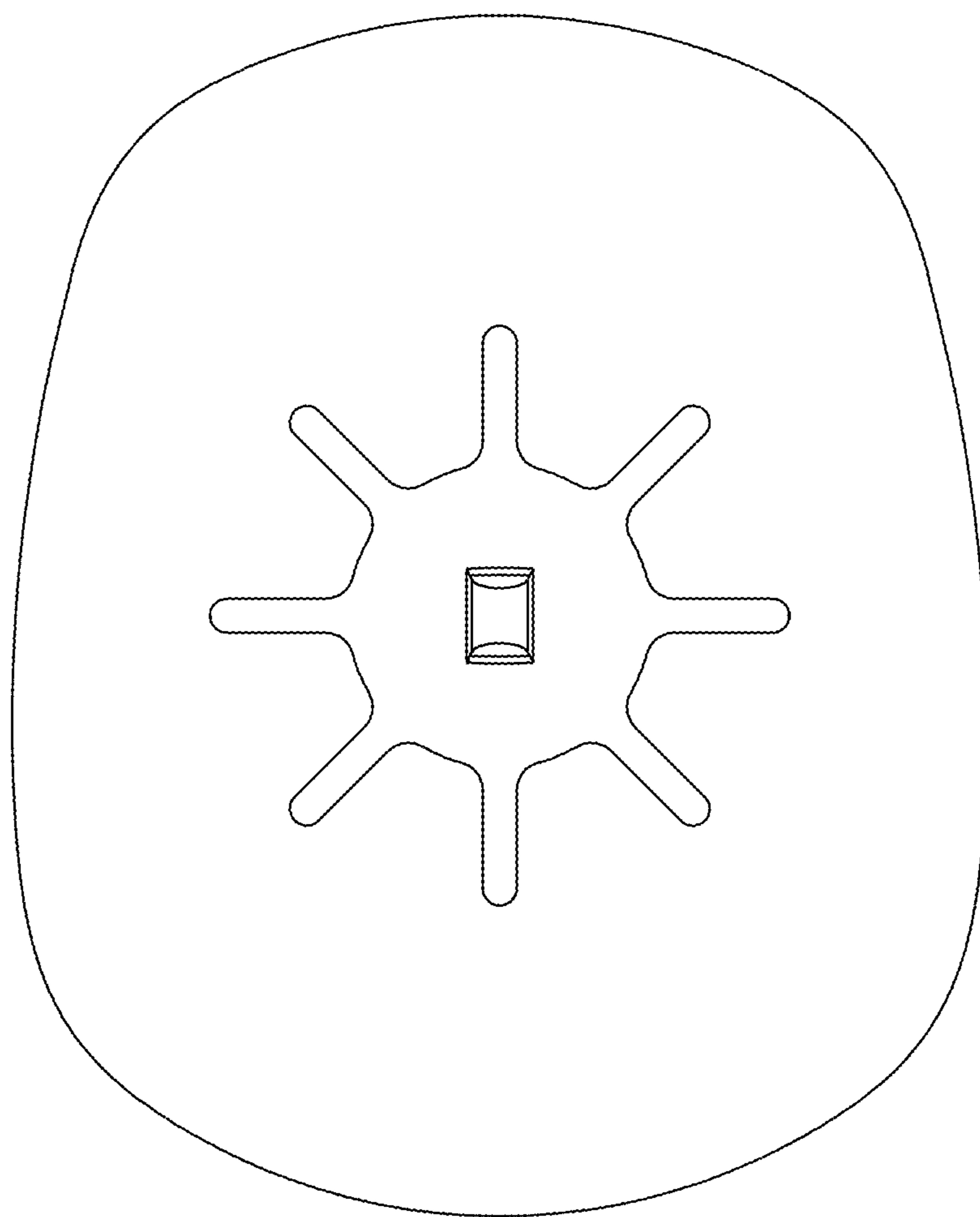


FIG. 6

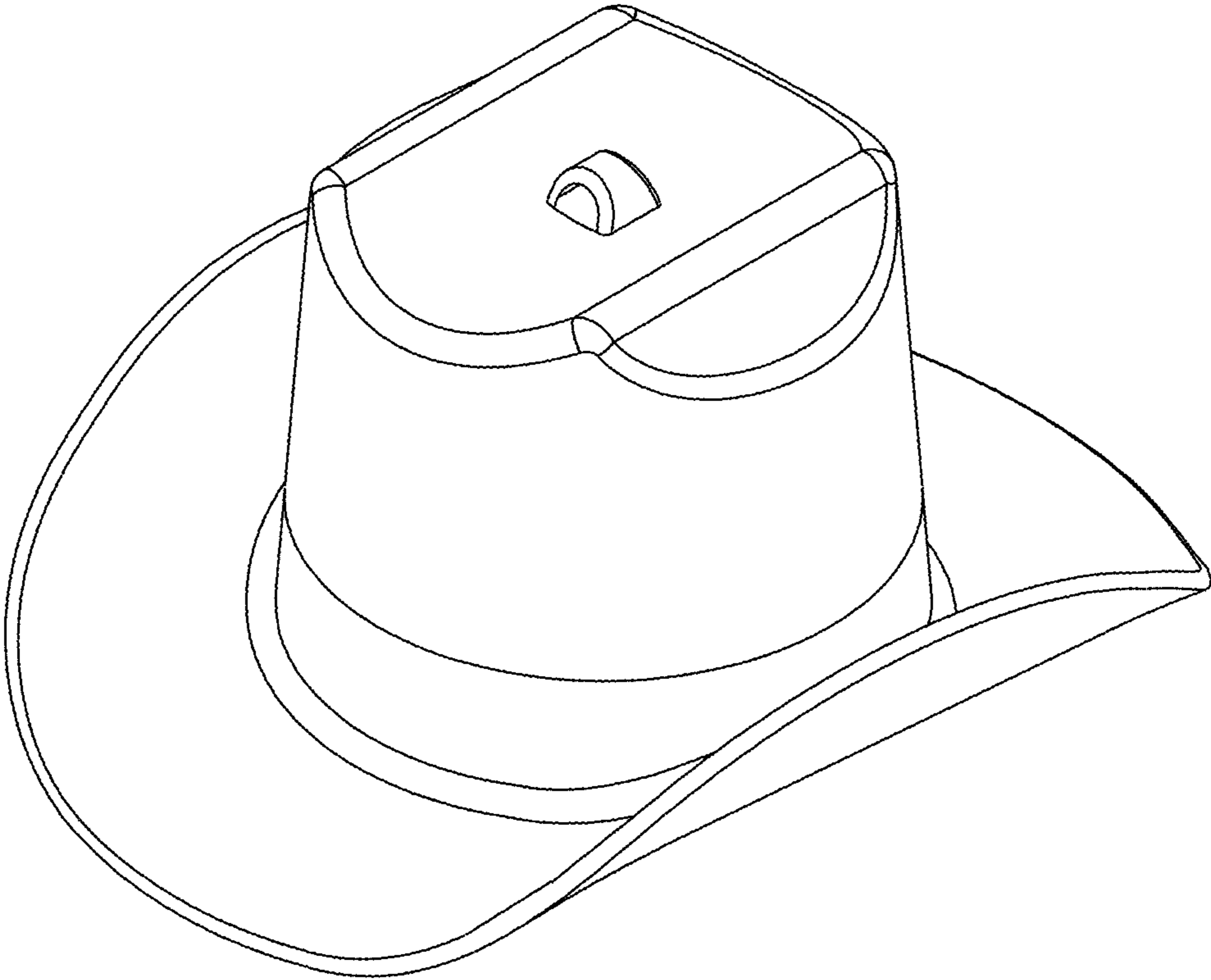


FIG. 7

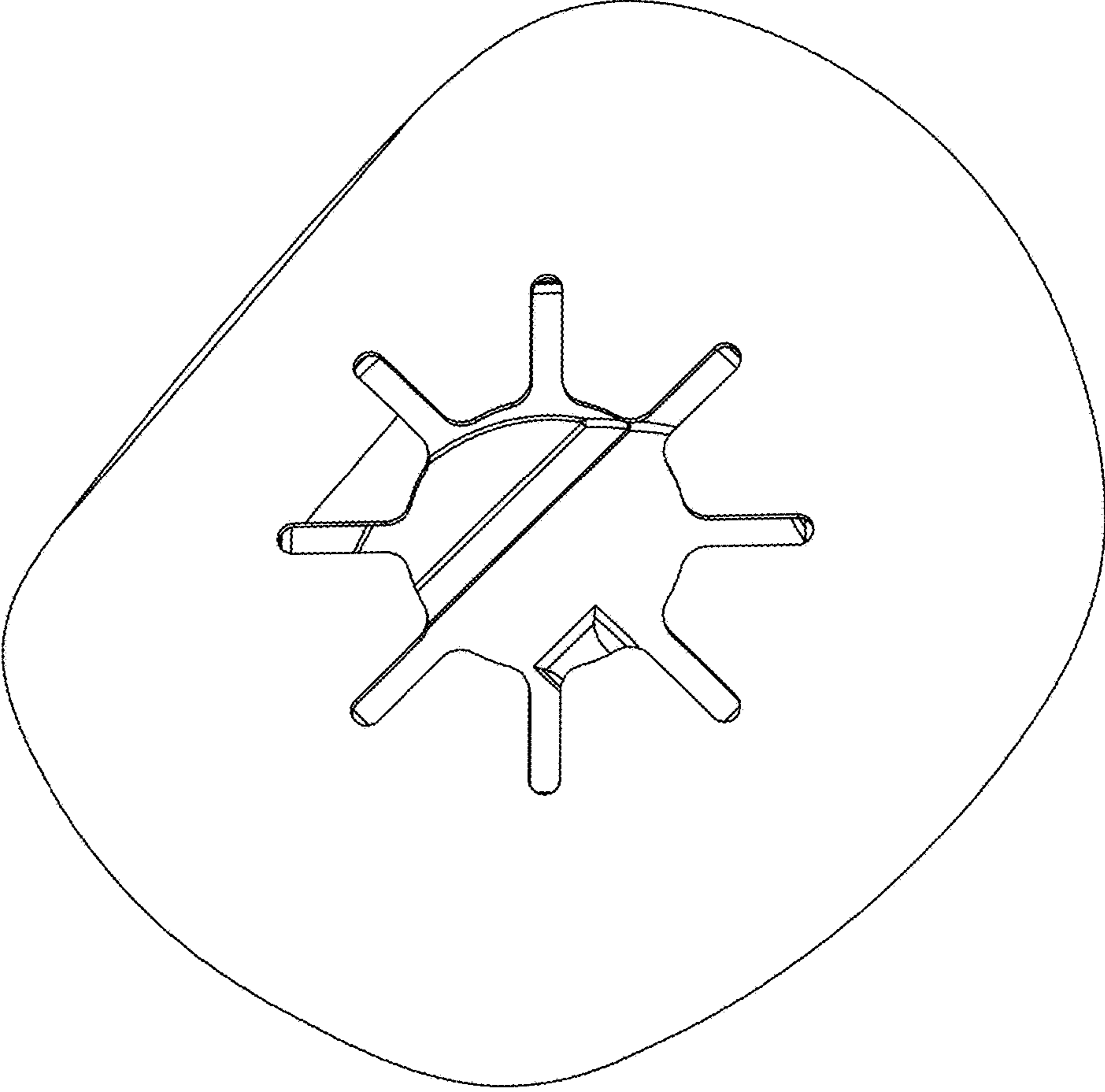


FIG. 8