



US00D834415S

(12) **United States Design Patent**
Luther

(10) **Patent No.:** **US D834,415 S**

(45) **Date of Patent:** **** Nov. 27, 2018**

(54) **BOTTLE CAP HAT**

(71) Applicant: **Stephen John Luther**, Terryville, CT (US)

(72) Inventor: **Stephen John Luther**, Terryville, CT (US)

(**) Term: **15 Years**

(21) Appl. No.: **29/603,112**

(22) Filed: **May 5, 2017**

(51) **LOC (11) Cl.** **09-07**

(52) **U.S. Cl.**
USPC **D9/451**

(58) **Field of Classification Search**
USPC D7/514-517, 519-520, 539, 604, 613, D7/619.2, 623, 628, 392.1; D9/600-601, D9/607-612, 632, 434, 436, 441, D9/444-454; 206/494, 457, 459.1, 459.2; 220/890; 215/206, 260, 387-400; D2/869-874, 885-888; D11/158-160; D21/614
CPC B65D 67/00; B65D 81/36; B65D 81/365; B65D 81/366; B65D 81/368; B65D 41/00; B65D 41/02; B65D 51/245; A63H 33/16

See application file for complete search history.

(56) **References Cited**

U.S. PATENT DOCUMENTS

D60,202 S * 1/1922 Quinby D11/158
D150,068 S * 6/1948 Herbst D9/441

D277,996 S * 3/1985 Megargee D2/871
D286,613 S * 11/1986 Weatherly D9/607
D299,695 S * 2/1989 Hine D9/607
D407,188 S * 3/1999 Hatton D2/869
D686,039 S * 7/2013 Eubank D7/515
D720,220 S * 12/2014 Bartholdy D9/451
D753,959 S * 4/2016 Bremer D7/625

* cited by examiner

Primary Examiner — Sandra L Morris

(74) *Attorney, Agent, or Firm* — Ingenium Patents LLC; Peter R. Kramer

(57) **CLAIM**

The ornamental design for a bottle cap hat, as shown and described.

DESCRIPTION

FIG. 1 is a front view showing my new design, the broken line showing of the bottle is for illustrative purposes only, and forms no part of the claimed design.

FIG. 2 Left view

FIG. 3 Right view

FIG. 4 Back view

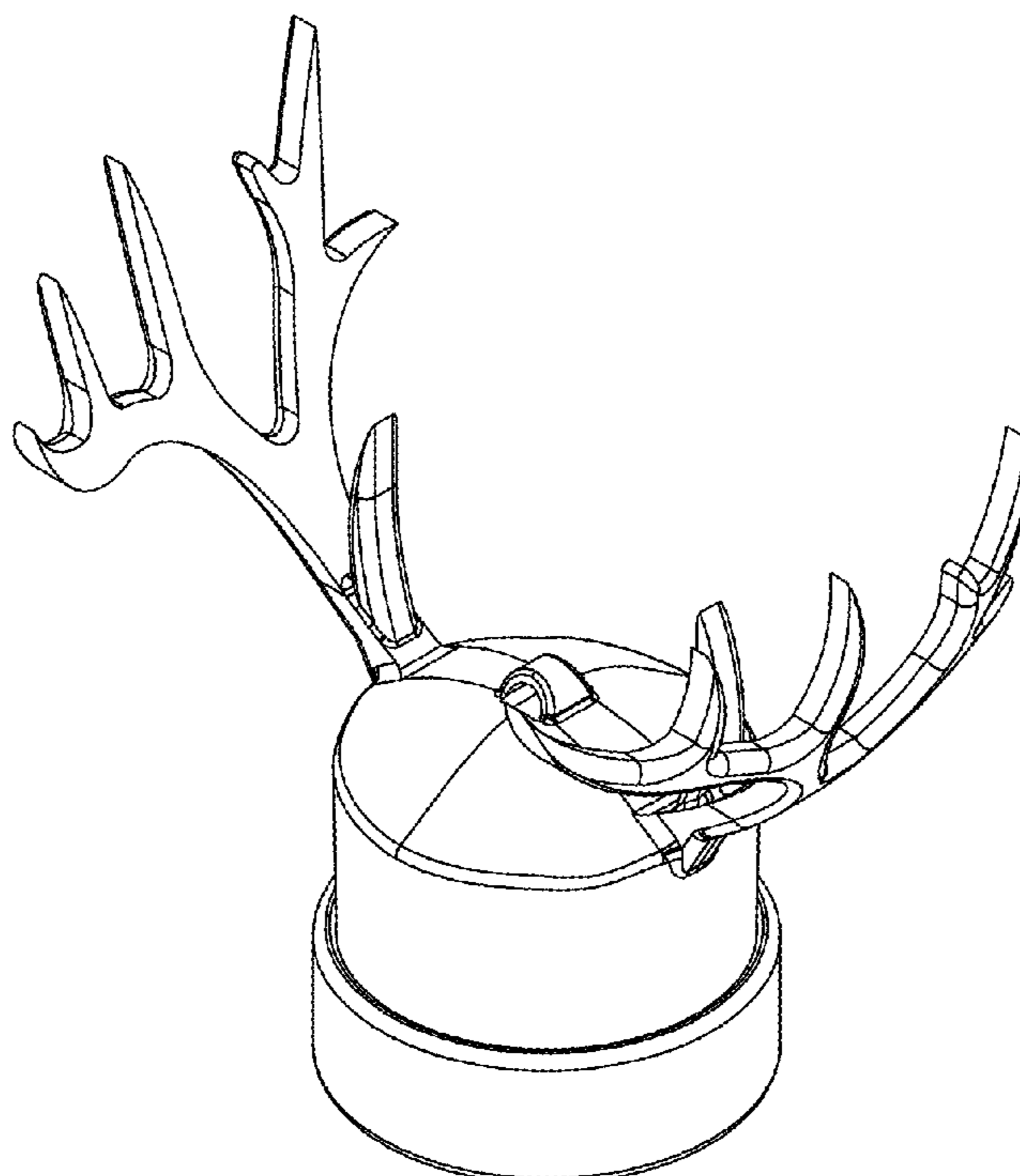
FIG. 5 Top view

FIG. 6 Bottom view

FIG. 7 is a top perspective view; and,

FIG. 8 is a bottom perspective view.

1 Claim, 8 Drawing Sheets



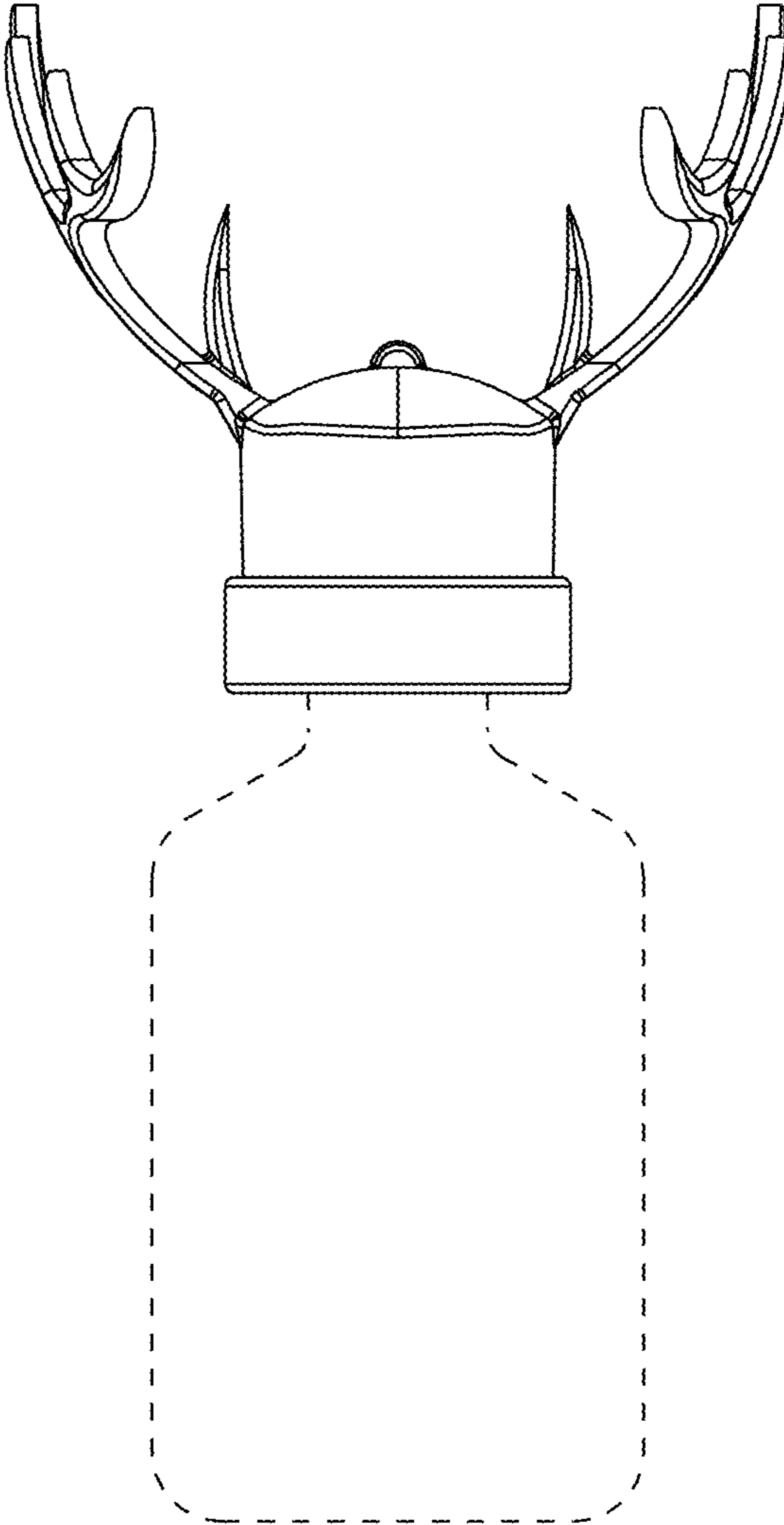


FIG. 1

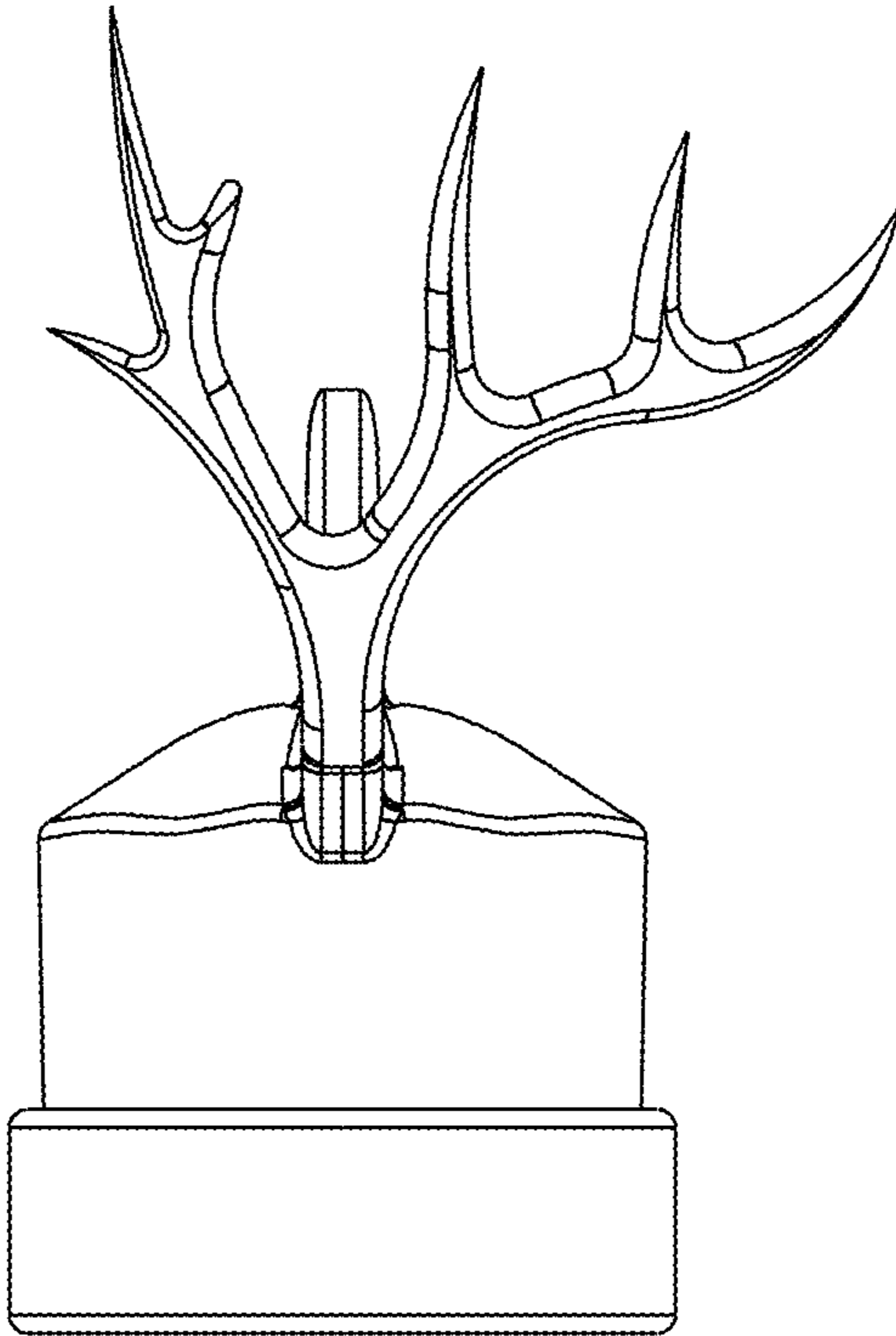


FIG. 2

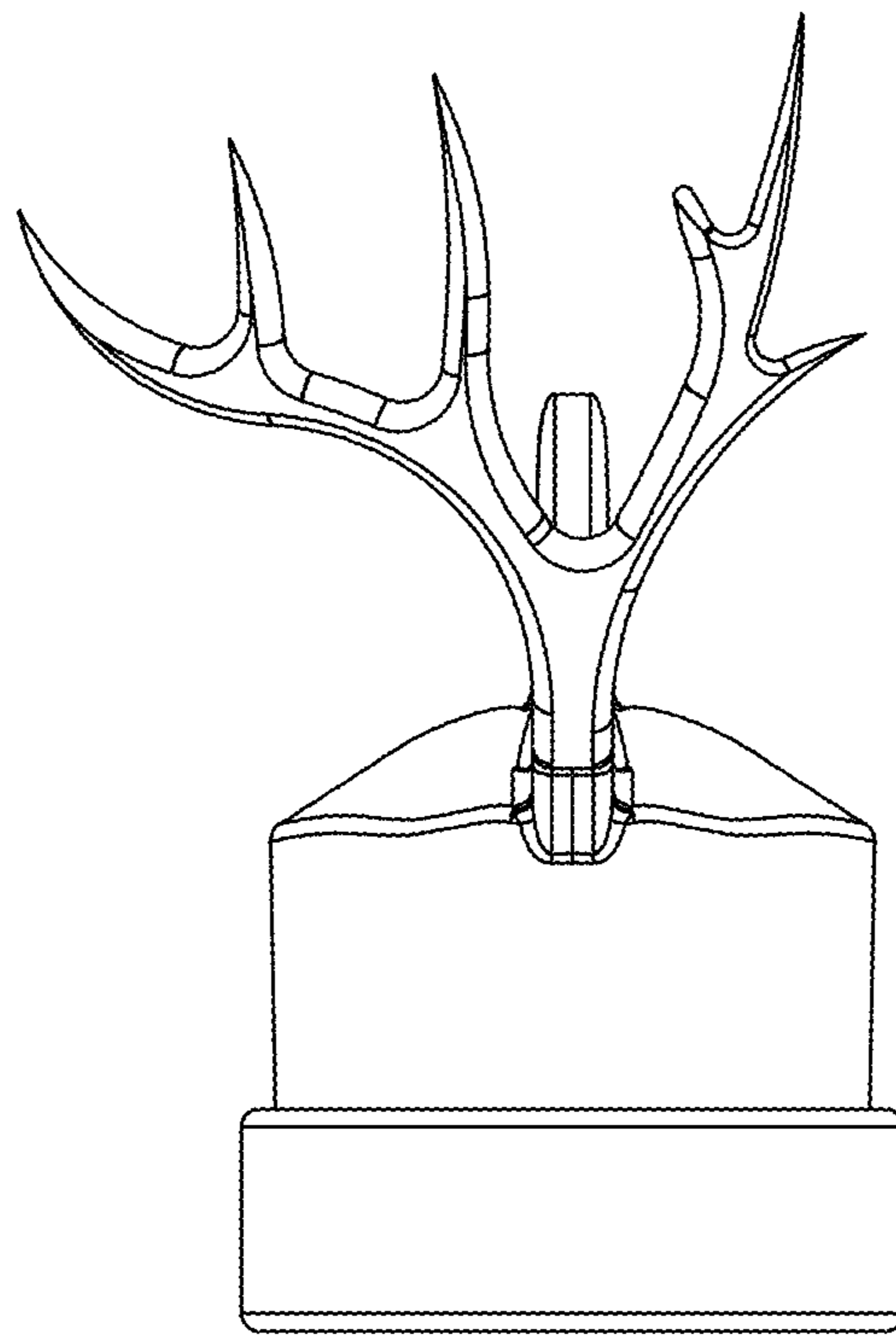


FIG. 3

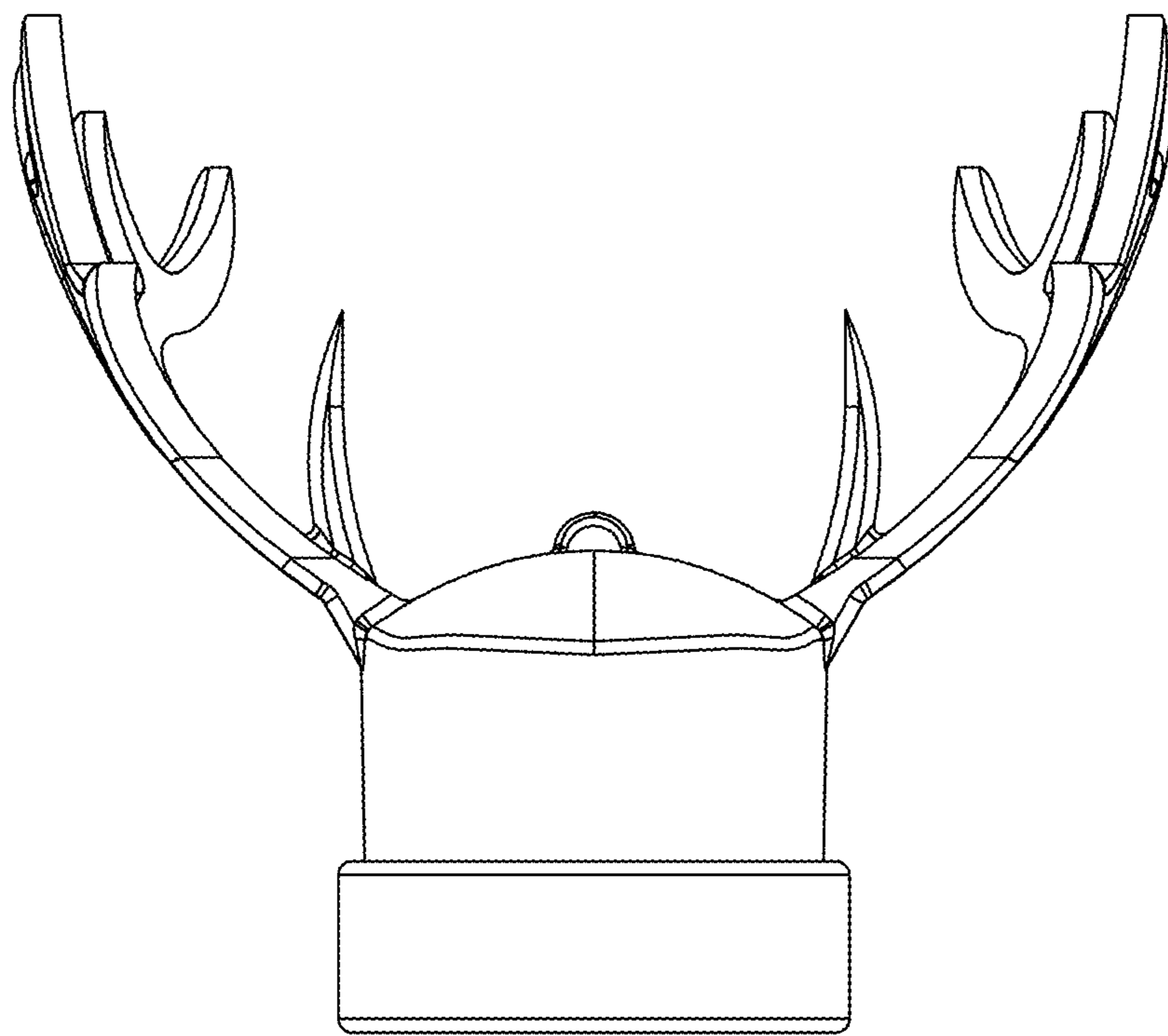


FIG. 4

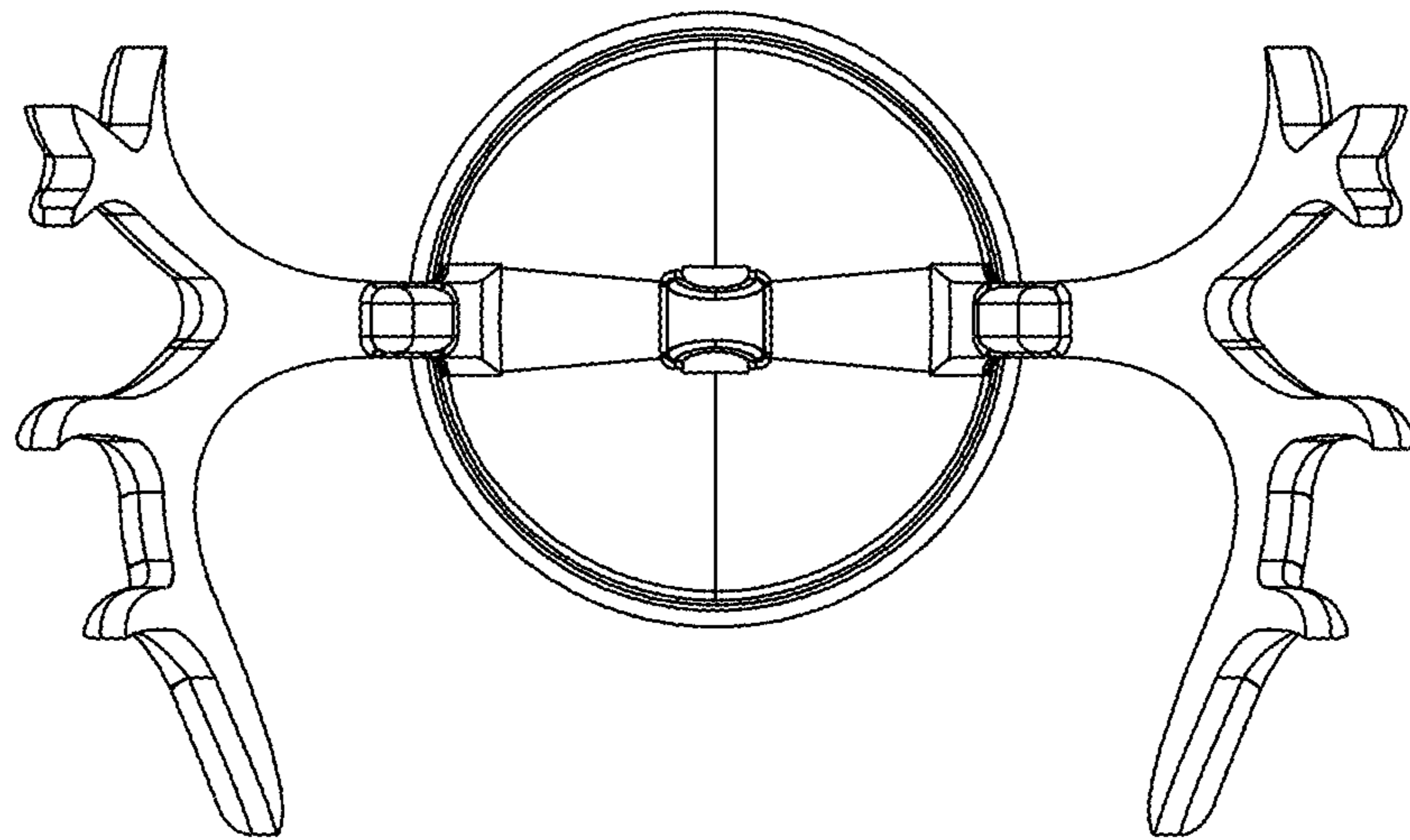


FIG. 5

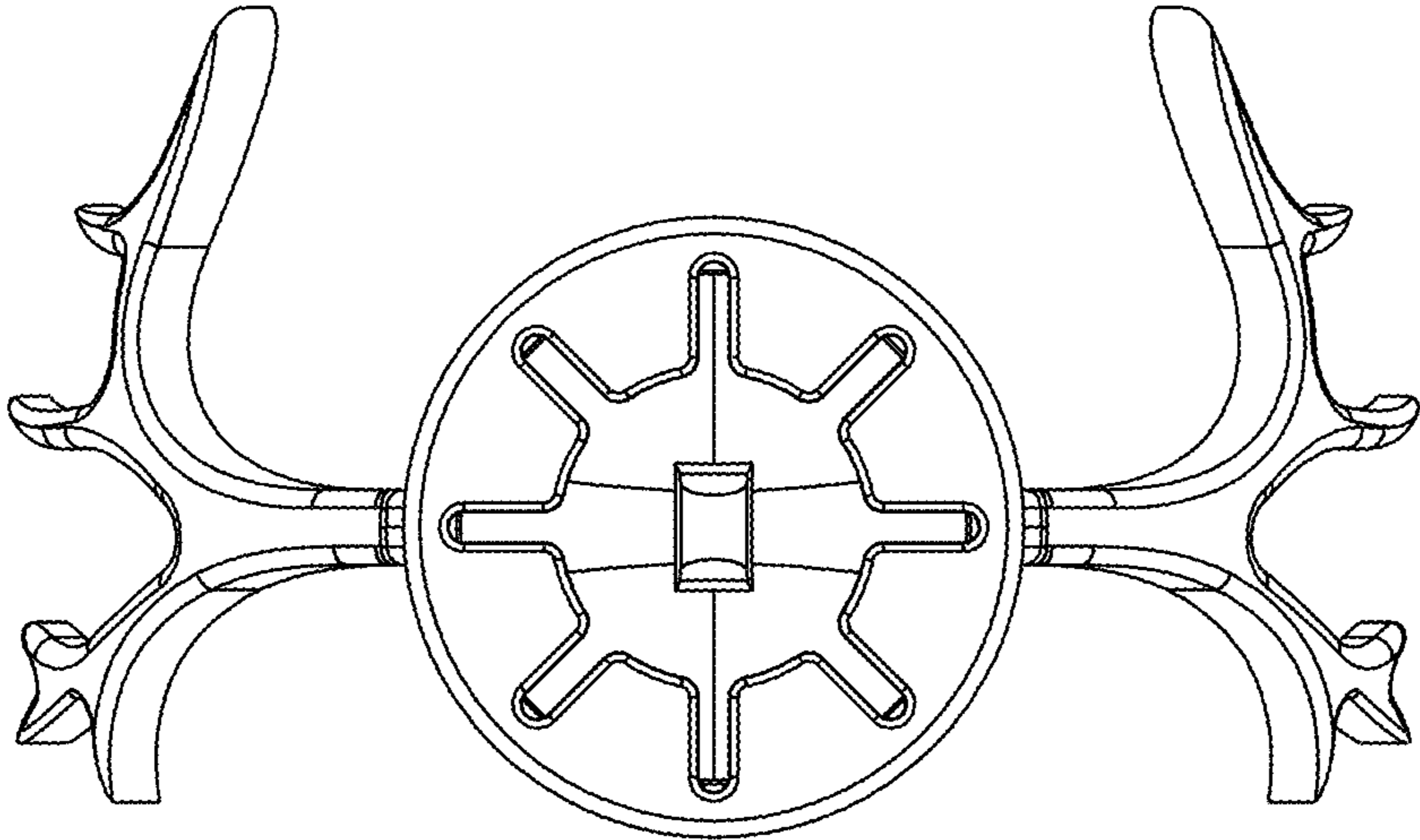


FIG. 6

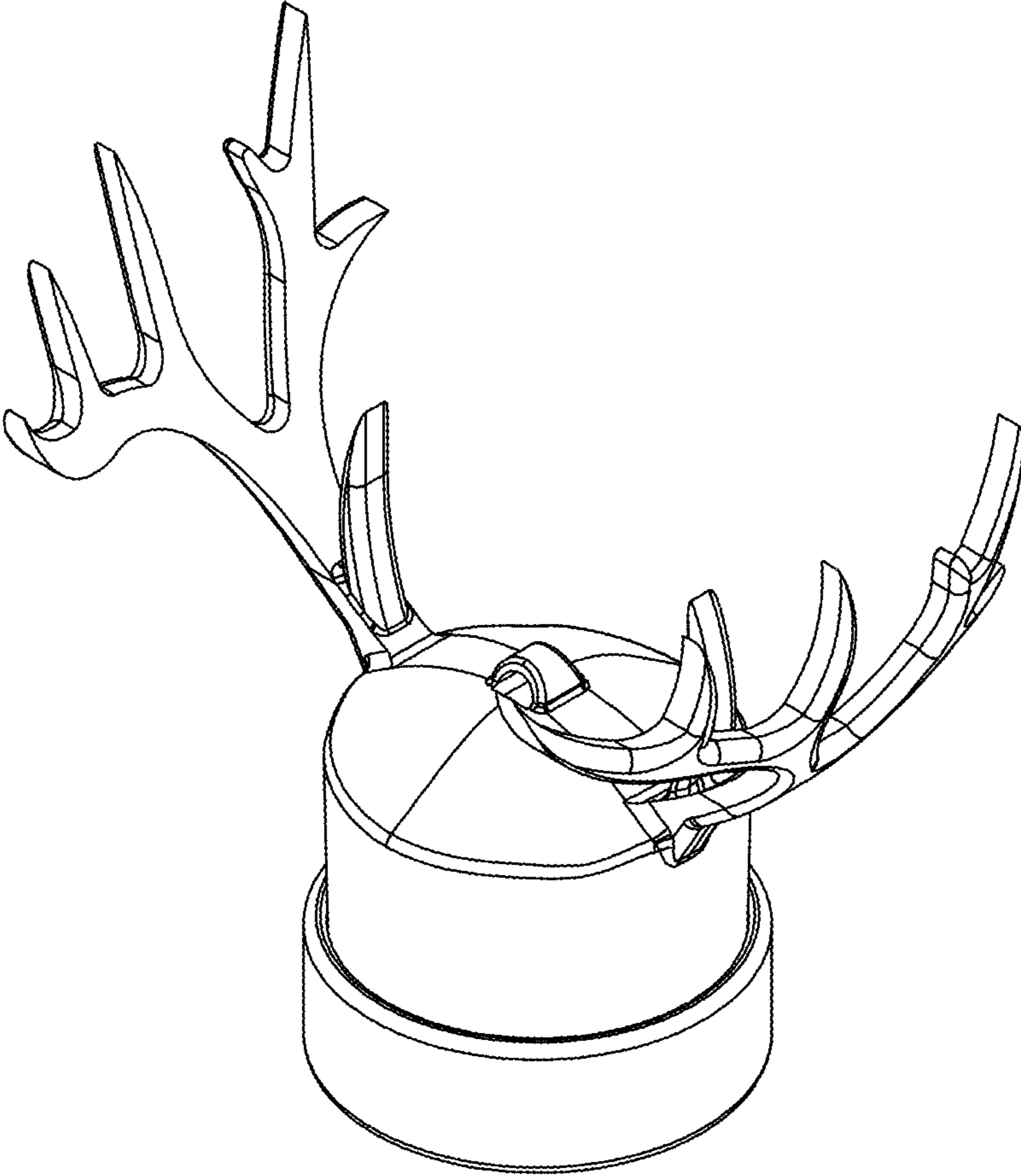


FIG. 7

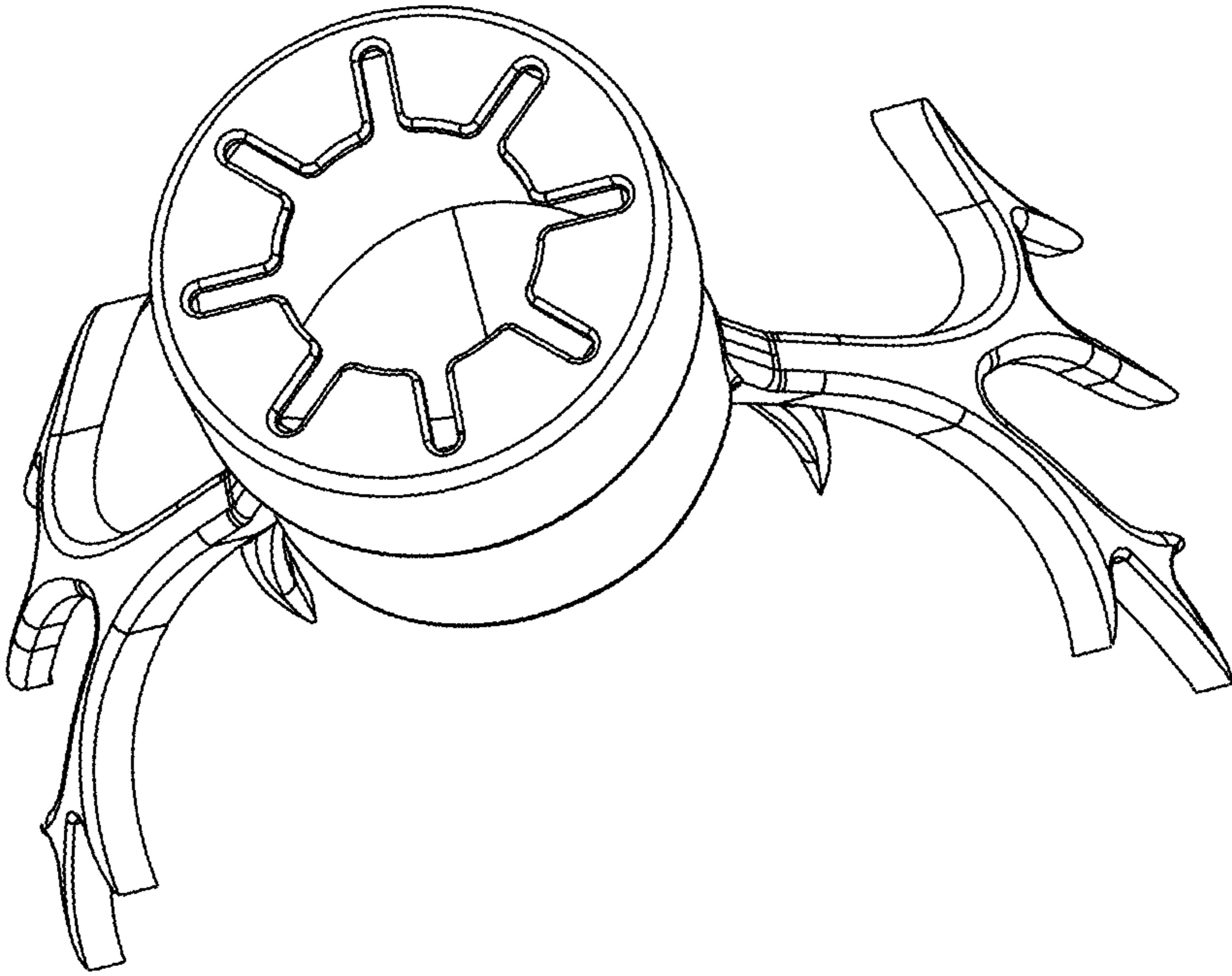


FIG. 8