



US00D834411S

(12) **United States Design Patent** (10) **Patent No.:** **US D834,411 S**  
**Vanderhulst et al.** (45) **Date of Patent:** **\*\* Nov. 27, 2018**

(54) **PACKAGE WITH PERFORATED INFORMATIONAL SIDE FLAPS**

(71) Applicant: **Medline Industries, Inc.**, Northfield, IL (US)

(72) Inventors: **Mark Vanderhulst**, Chicago, IL (US);  
**Jerome Shurell**, Gurnee, IL (US);  
**Danielle Carlin**, Antioch, IL (US);  
**Brianna Nelson**, Palatine, IL (US);  
**Reena Fernandes**, Mundelein, IL (US)

(73) Assignee: **Medline Industries, Inc.**, Northfield, IL (US)

(\*\*) Term: **15 Years**

(21) Appl. No.: **29/577,658**

(22) Filed: **Sep. 14, 2016**

(51) **LOC (11) Cl.** ..... **09-03**

(52) **U.S. Cl.**  
USPC ..... **D9/432; D9/433**

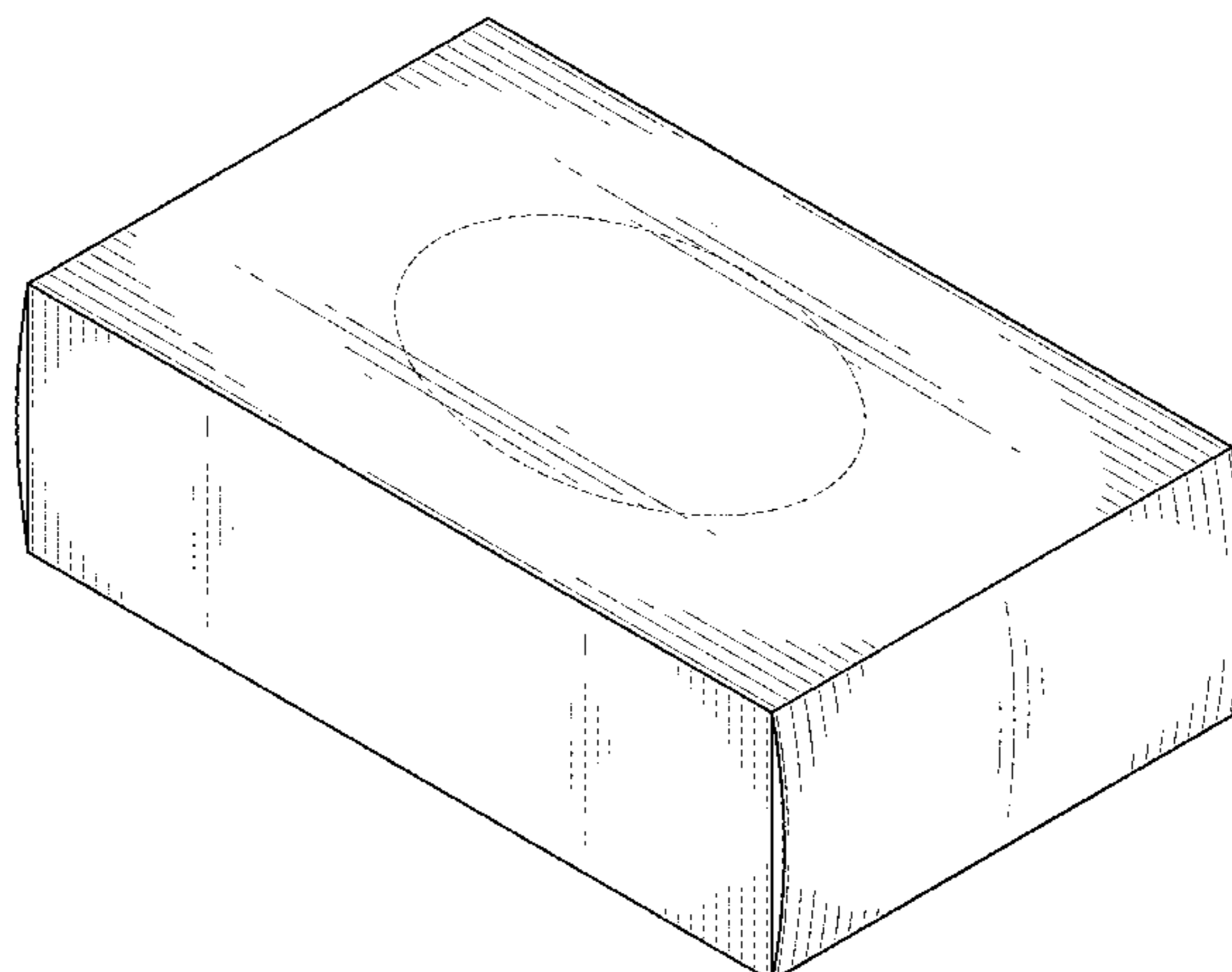
(58) **Field of Classification Search**  
USPC ..... D9/414-434, 442-445, 456, 457, 542,  
D9/563, 600, 614-624, 655, 657, 658,  
D9/661, 685, 695, 697-699, 707, 708,  
D9/711, 754, 759, 772-776; D3/273,  
D3/276, 304, 305, 307, 309-313;  
D7/601, 602, 709; D6/560, 653-655,  
D6/662, 667, 705, 706; D19/75, 90  
CPC ..... B65D 5/00; B65D 5/001; B65D 5/0015;  
B65D 5/0227-5/0254; B65D 5/18; B65D  
5/38; B65D 5/40; B65D 5/6605; B65D  
5/48024; B65D 1/22; B65D 1/24; B65D  
1/34; B65B 5/06

See application file for complete search history.

3,792,810 A	2/1974	Tingley	
4,199,097 A	4/1980	Christensson	
4,200,200 A	4/1980	Hein	
D256,437 S	8/1980	Faller	
D267,476 S	1/1983	Boedeker	
RE33,979 E	6/1992	Cortopassi	
D385,743 S	11/1997	Eldridge	
D417,077 S	11/1999	Sheu	
D423,359 S	4/2000	MacLean	
D423,772 S	5/2000	Cooper	
D429,437 S	8/2000	Valenti	
D453,876 S *	2/2002	Moor	D3/300
D456,652 S *	5/2002	Smith	D6/518
D465,364 S *	11/2002	Childs	D9/435
D466,807 S *	12/2002	Buck	D3/294
D476,764 S	7/2003	Khovaylo	
6,681,983 B2	1/2004	Bill-Moore	
D488,298 S *	4/2004	Freeman	D3/294
6,766,919 B2	7/2004	Huang	
D504,314 S	4/2005	Kim	
D531,801 S *	11/2006	Sakaguchi	D3/273
D536,130 S	1/2007	Jekel	
D552,428 S	10/2007	Zeiron	
D553,977 S	10/2007	Shiia	
D553,978 S	10/2007	Shiia	
D563,219 S	3/2008	Okin	
D587,998 S	3/2009	Kaisanlahti	
D603,270 S	11/2009	Kusumi	
D608,660 S	1/2010	Mau	
D610,447 S *	2/2010	Seum	D9/418
D611,545 S	3/2010	Williams	
D615,078 S	5/2010	Bradley	
D617,127 S	6/2010	Wang	
D619,015 S	7/2010	Kusumi	
D619,098 S	7/2010	Mike	
D622,590 S *	8/2010	Tayama	D9/432
D632,172 S	2/2011	Harvey	
D635,454 S	4/2011	Witte	
D637,497 S	5/2011	Lee	
8,006,893 B2	8/2011	Burke	
D644,979 S	9/2011	Wenrick	
D647,791 S	11/2011	Schmitt	
D649,040 S	11/2011	Sanders	
D651,831 S	1/2012	Becherer	
D651,908 S	1/2012	Boyer	
D651,914 S *	1/2012	Boyer	D9/433
D652,295 S	1/2012	Hipperson	
D652,311 S	1/2012	Boyer	
D653,854 S	2/2012	Chamberlain	
D655,189 S	3/2012	Boyer	
D656,406 S *	3/2012	Boyer	D9/432
D656,836 S *	4/2012	Boyer	D9/433
D658,610 S	5/2012	Bang	

(56) **References Cited**  
**U.S. PATENT DOCUMENTS**

3,071,882 A 1/1963 Eisman  
3,790,064 A 2/1974 Kramer  
3,790,069 A 2/1974 Straccamore



D663,198 S	7/2012	White	
D671,421 S	11/2012	Lee	
D678,760 S	3/2013	Cooper	
D678,762 S	3/2013	Cooper	
D678,778 S	3/2013	Lee	
D679,582 S	4/2013	Witte	
D680,859 S	4/2013	Levy	
D683,630 S	6/2013	Lee	
D686,505 S	7/2013	Uemura	
D687,706 S	8/2013	Akana	
D688,560 S	8/2013	Kwon	
D692,180 S	10/2013	Dietvorst	
D693,678 S	11/2013	Kanchan	
8,646,653 B2	2/2014	Lien	
D702,765 S	4/2014	Williams	
D706,129 S *	6/2014	Boraczek .....	D9/418
D706,627 S	6/2014	Olsson	
D706,628 S	6/2014	Palmer	
D706,640 S	6/2014	Lee	
D708,069 S	7/2014	Park	
D709,364 S	7/2014	Olsson	
D709,953 S	7/2014	Williams	
D711,601 S	8/2014	Robbins	
D712,737 S *	9/2014	Gotur .....	D9/432
8,881,903 B2	11/2014	Vulgamott	
D719,462 S	12/2014	Kanda	
D741,710 S	10/2015	Katopo	
D742,243 S	11/2015	Allen	
D749,414 S	2/2016	Choi	
D749,962 S *	2/2016	Gorbatiuk .....	D9/432
D753,487 S	4/2016	Wells	
D753,871 S	4/2016	Aspgren	
D755,910 S	5/2016	Randazzo	
D760,072 S *	6/2016	Lutz .....	D9/416
D760,434 S	6/2016	Schmaelzle	
D768,481 S	10/2016	Gagliardo	
D770,299 S	11/2016	Andrews	
D776,457 S	1/2017	Palmer	
D777,468 S	1/2017	Currier	
D778,729 S	2/2017	Spenceman	
D781,701 S	3/2017	Brody	
D787,320 S	5/2017	Gill	
D789,785 S	6/2017	Fujiwara	
D793,229 S	8/2017	Meneaud	
D796,562 S	9/2017	Iu	
D804,943 S	12/2017	Richmond	
2005/0056690 A1 *	3/2005	Clapper .....	B65D 1/34 229/406
2006/0102706 A1 *	5/2006	Spivey, Sr. ....	B65D 71/36 229/122
2006/0131370 A1 *	6/2006	Bates .....	B65D 71/36 229/122
2007/0210096 A1	9/2007	Ellswood	
2014/0020700 A1 *	1/2014	Park .....	A45D 29/18 132/75
2017/0073102 A1	3/2017	Borasi	

FOREIGN PATENT DOCUMENTS

CA	2132425 C	1/2000
KR	3020060006367	* 2/2006

OTHER PUBLICATIONS

Kleenex 21606CT White Facial Tissue. Online, published date unknown. Retrieved on Aug. 9, 2017 from URL: [https://www.amazon.com/Kleenex-21606CT-Facial-Tissue-Pop-Up/dp/B0040ZOF2U/ref=pd\\_sim\\_328\\_1?encoding=UTF8&pd\\_rd\\_i=B0040ZOF2U&pd\\_rd\\_r=1PYH02PEVDBTT5RCQ4KB&pd\\_rd\\_w=v1Sal&pd\\_rd\\_wg=gFq51&pvc=1&refRID=1PYH02PEVDBTT5RC](https://www.amazon.com/Kleenex-21606CT-Facial-Tissue-Pop-Up/dp/B0040ZOF2U/ref=pd_sim_328_1?encoding=UTF8&pd_rd_i=B0040ZOF2U&pd_rd_r=1PYH02PEVDBTT5RCQ4KB&pd_rd_w=v1Sal&pd_rd_wg=gFq51&pvc=1&refRID=1PYH02PEVDBTT5RC).\*

White Shabby Chic Vintage Roses Paper Napkin Box. Online, published date unknown. Retrieved on Aug. 9, 2017 from URL: <https://lphandmade.com/en/shop/for-home-and-interior/white-shabby-chic-vintage-roses-paper-napkin-box/#.WYuQZP7rtmM>.\*

Hale 275 Facial Tissue and Hygienic Glove Dispenser; Hale Manufacturing; product information from <http://www.haleman.co.nz/facialtissueandhygienicglovedispensers/>, publicly available at least as of Jul. 20, 2016.

Photo of Halyard Sterling SG Sensi-Guard Nitrile Exam Gloves, publicly available at least as of Jul. 20, 2016.

Photo of MediChoice® Large Nitrile Exam Gloves (box includes blue ink), publicly available at least as of May 5, 2016.

Photo-1 of MediChoice® Medium Nitrile Exam Gloves (box includes blue ink), publicly available at least as of May 5, 2016.

Photo of MediChoice® Small Latex Gloves (box includes blue ink), publicly available at least as of May 5, 2016.

Photo of MediChoice® X-Small Nitrile Exam Gloves (box includes blue ink), publicly available at least as of May 5, 2016.

Photo of MediChoice® X-Large Nitrile Exam Gloves (box includes green ink), publicly available at least as of May 5, 2016.

Photo of MediChoice® Small Stretch Vinyl Nitrile Exam Gloves (box includes green ink), publicly available at least as of May 5, 2016.

Photo-2 of MediChoice® Medium Nitrile Exam Gloves (box includes blue ink), publicly available at least as of May 5, 2016.

Photo-3 of MediChoice® Medium Nitrile Exam Gloves (box includes blue ink), publicly available at least as of May 5, 2016.

Photo of MediChoice® Large Vinyl Nitrile Exam Gloves (box includes orange ink), publicly available at least as of May 5, 2016.

Photo of MediChoice® Medium Latex Gloves (box includes purple ink), publicly available at least as of May 5, 2016.

Surface-Mounted Stainless Steel Tissue Dispenser, Model 987-11; Bradley Corporation; product information from <http://bradleycorp.com/accessories/specialty/hospitality/tissue-dispensed>, publicly available at least as of Jul. 20, 2016.

Household Tissue Boxes Paper Storage Box Tissue Box Holder, Online, published date unknown. Retrieved on Sep. 26, 2017 from URL: [https://www.amazon.com/Household-Tissue-Boxes-Storage-Holder/dp/B01L1K9Y36/ref=sr\\_1\\_11?ie=UTF8&qid=1506446688&sr=8-11&keywords=mirrored+tissue+box+cover](https://www.amazon.com/Household-Tissue-Boxes-Storage-Holder/dp/B01L1K9Y36/ref=sr_1_11?ie=UTF8&qid=1506446688&sr=8-11&keywords=mirrored+tissue+box+cover).

\* cited by examiner

Primary Examiner — Karen S Acker

Assistant Examiner — Omeed Agilee

(74) Attorney, Agent, or Firm — Fitch, Even, Tabin & Flannery LLP

(57) CLAIM

The ornamental design for a package with perforated informational side flaps, as shown and described.

DESCRIPTION

FIG. 1 is a top plan view of a package with perforated informational side flaps in an unassembled blank configuration in accordance with a first embodiment of our new design;

FIG. 2 is a left side elevation view thereof;

FIG. 3 is a right side elevation view thereof;

FIG. 4 is a rear elevation view thereof;

FIG. 5 is a front elevation view thereof;

FIG. 6 is a top plan view of a package with perforated informational side flaps in an unassembled blank configuration in accordance with a second embodiment of our new design;

FIG. 7 is a perspective view of a package with perforated informational side flaps in an assembled configuration using the package of FIG. 6;

FIG. 8 is a top plan view of the package of FIG. 7;

FIG. 9 is a bottom plan view of the package of FIG. 7;

FIG. 10 is a front elevation view of the package of FIG. 7;

FIG. 11 is a rear elevation view of the package of FIG. 7;

FIG. 12 is a left side elevation view of the package of FIG. 7;

FIG. 13 is a right side elevation view of the package of FIG. 7; and,

FIG. 14 is a perspective view of the package of FIG. 7 with the two outermost side flaps in an open position and portions of the two perforated informational side flaps separated along the perforations and removed.

The smaller, lighter dashed lines in the shape of an oval depict perforations that form no part of the claimed design. The longer, darker straight dashed lines depict claimed perforations. The surface stippling in FIGS. 1, 6, and 14 depicts a contrast in appearance relative to non-stippled areas.

**1 Claim, 12 Drawing Sheets**

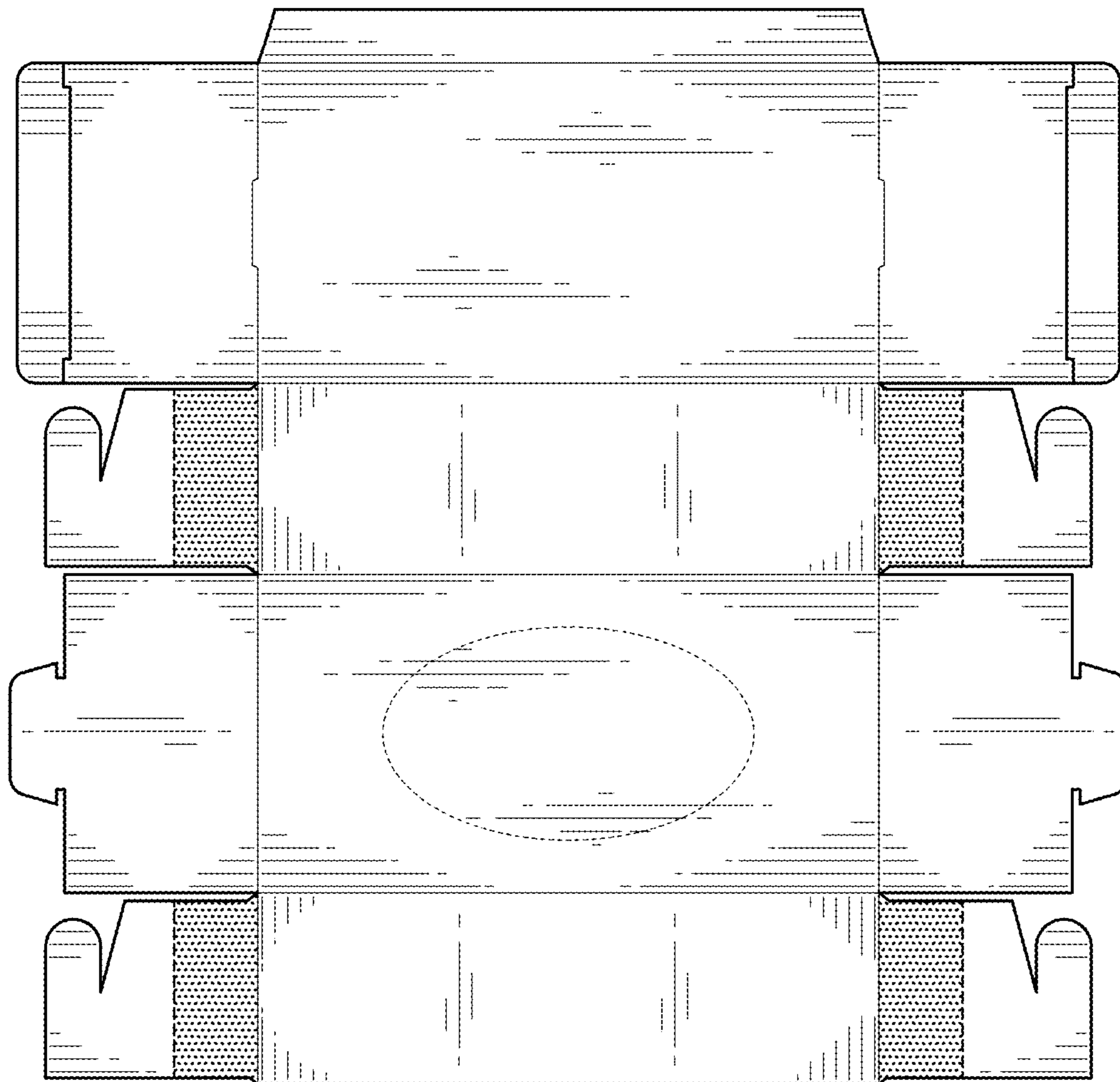


FIG. 1



FIG. 2



FIG. 3



FIG. 4



FIG. 5

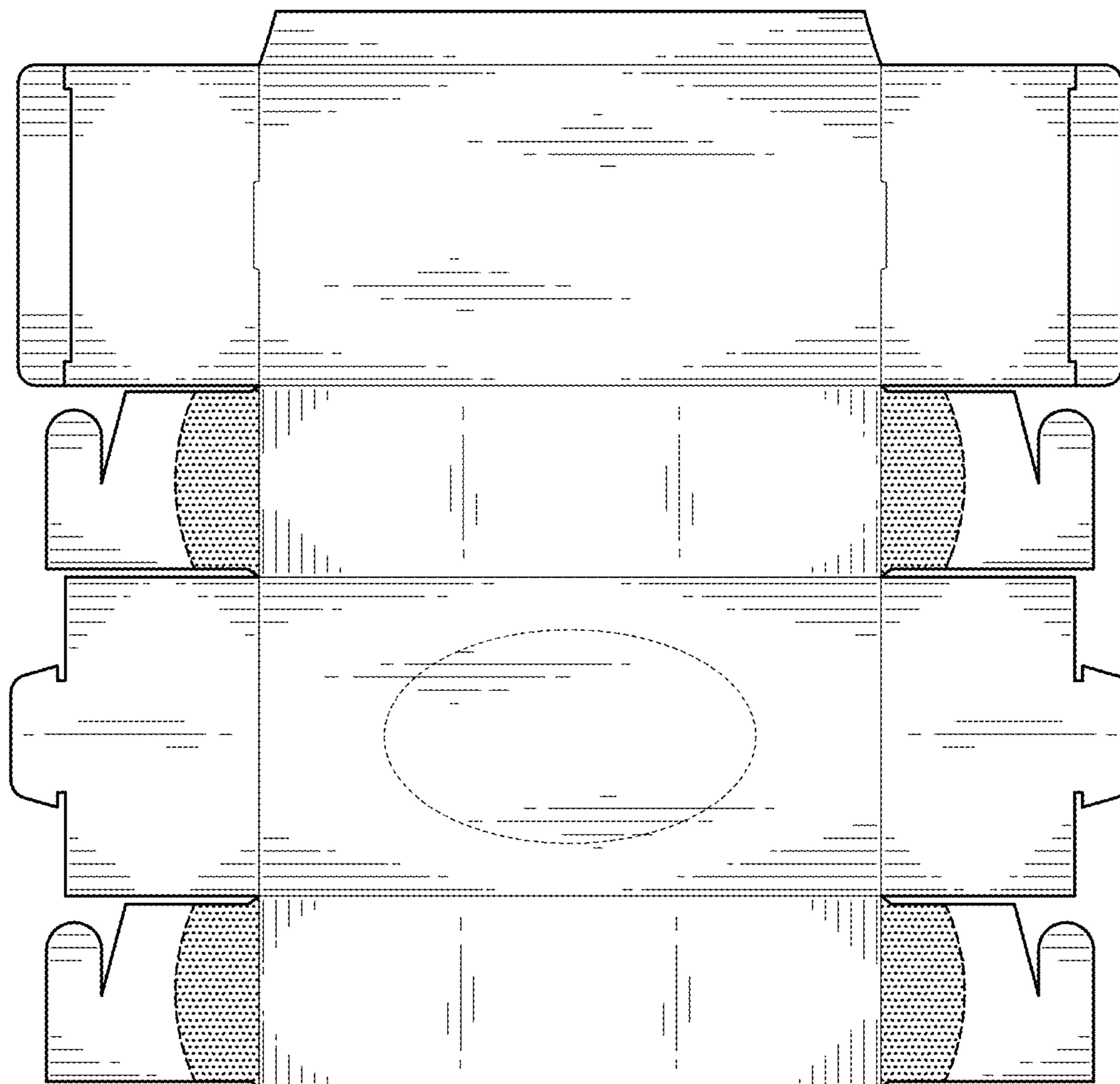


FIG. 6

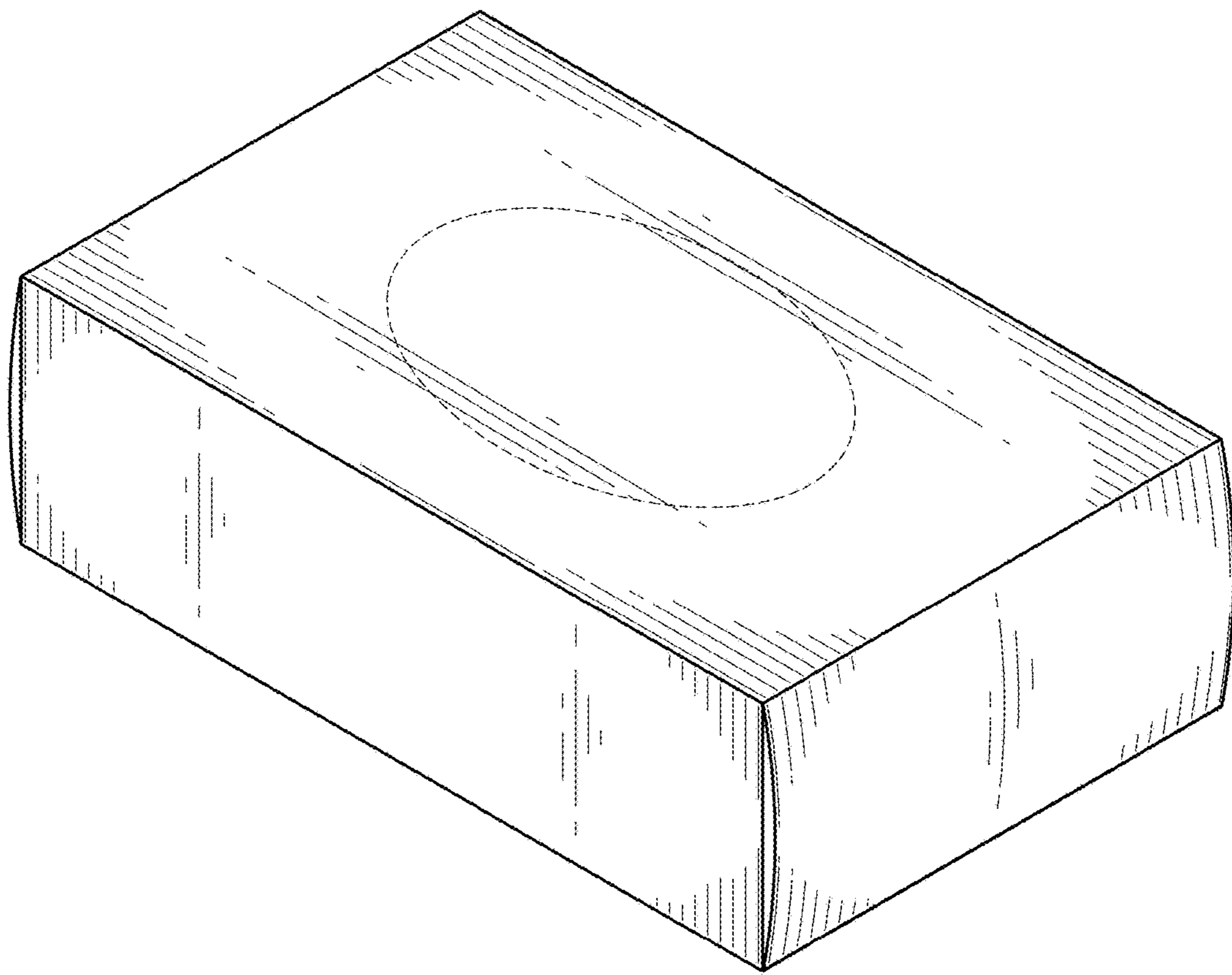


FIG. 7



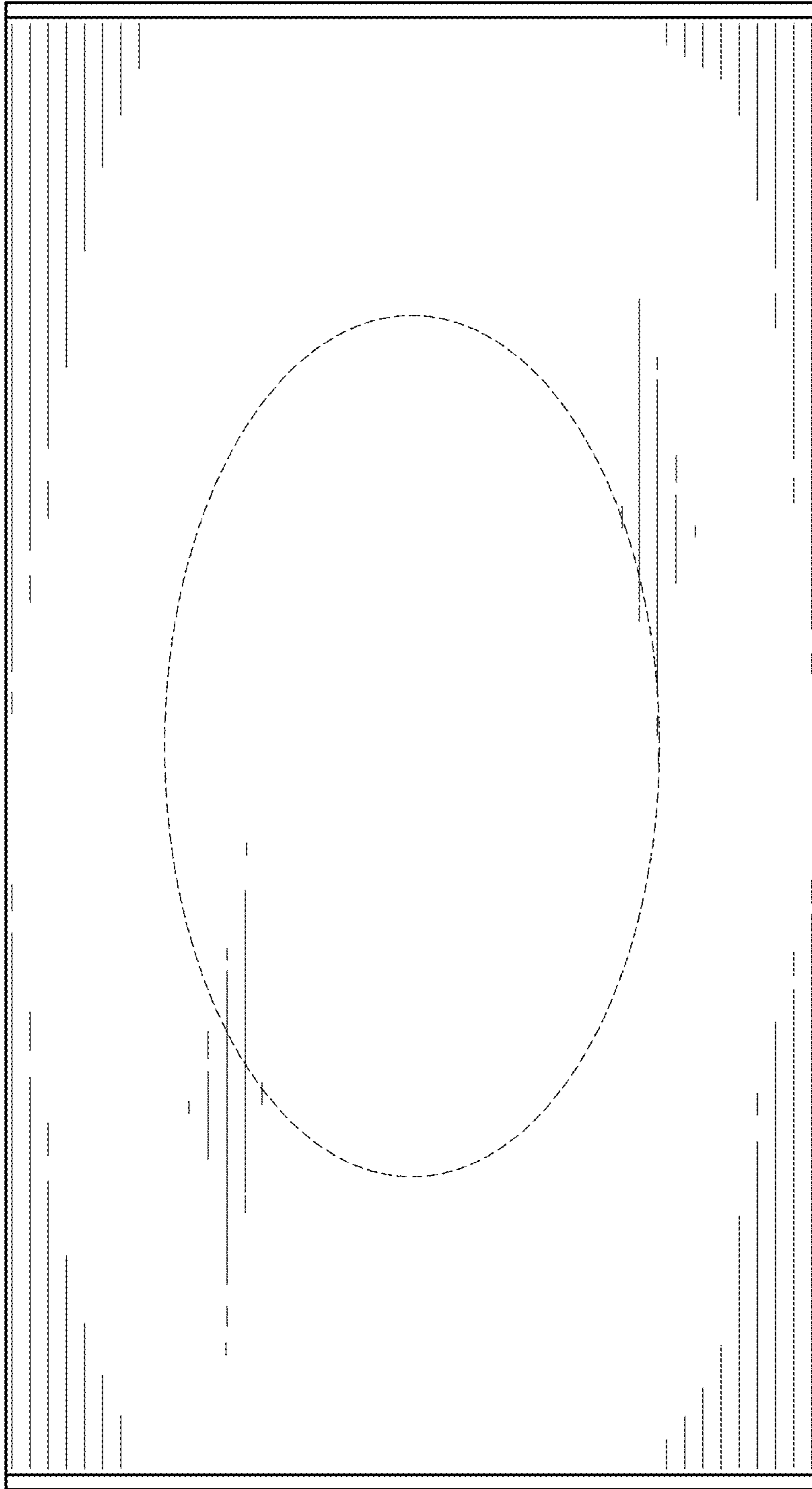


FIG. 8

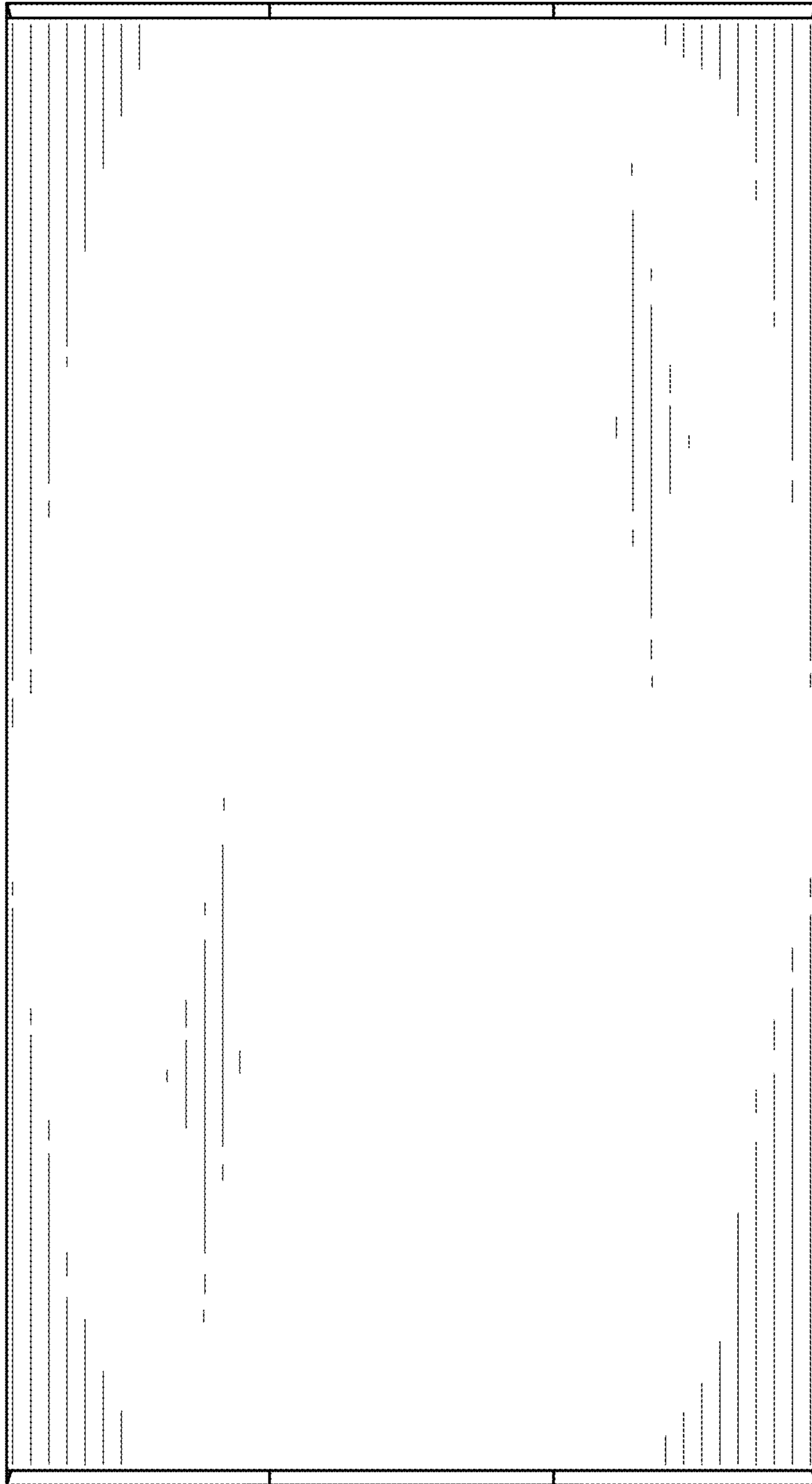


FIG. 9

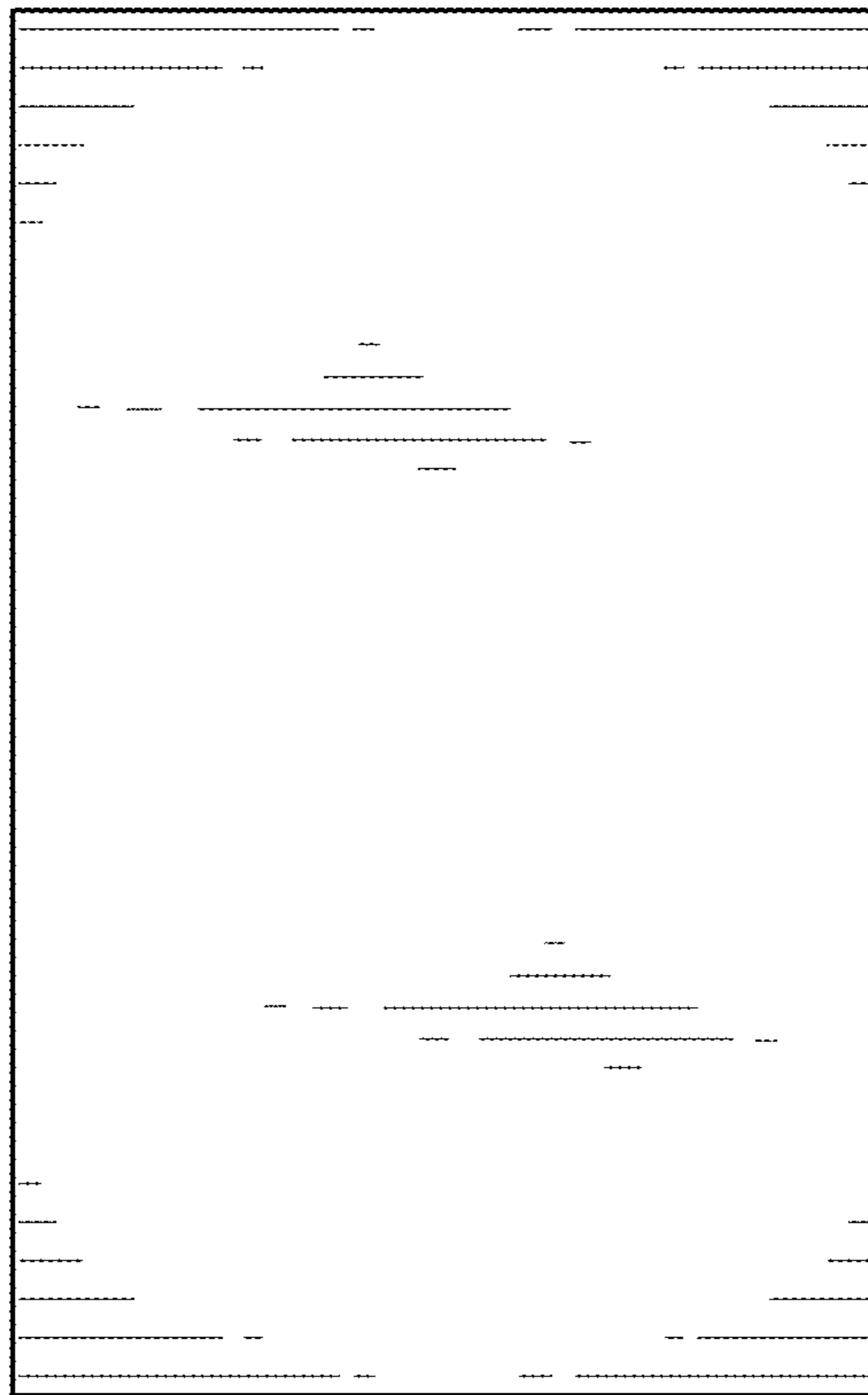


FIG. 10

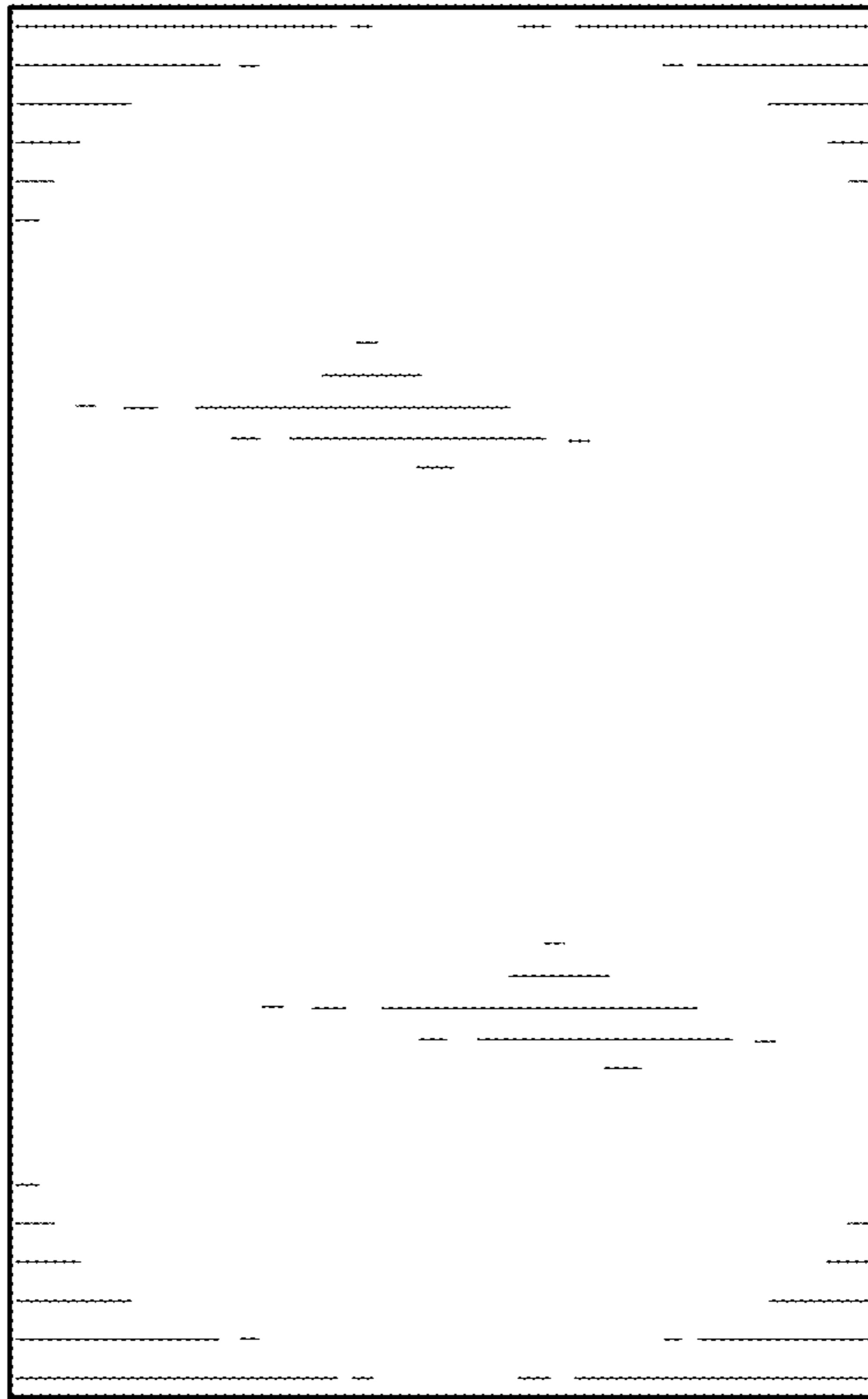


FIG. 11

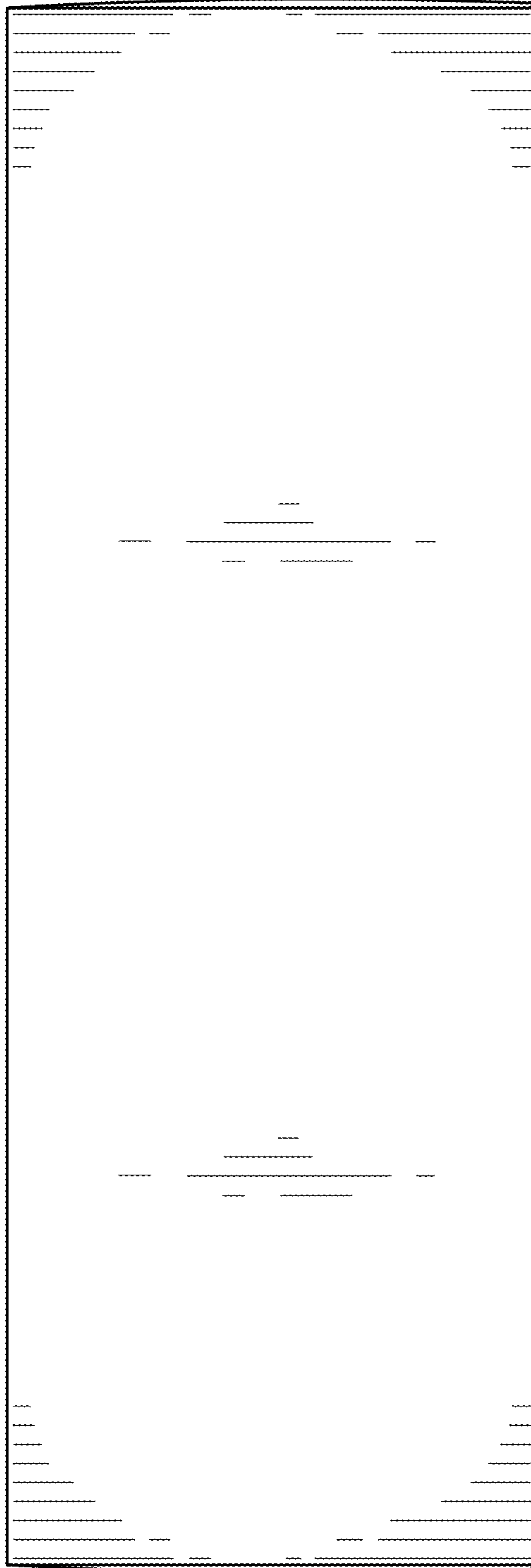


FIG. 12

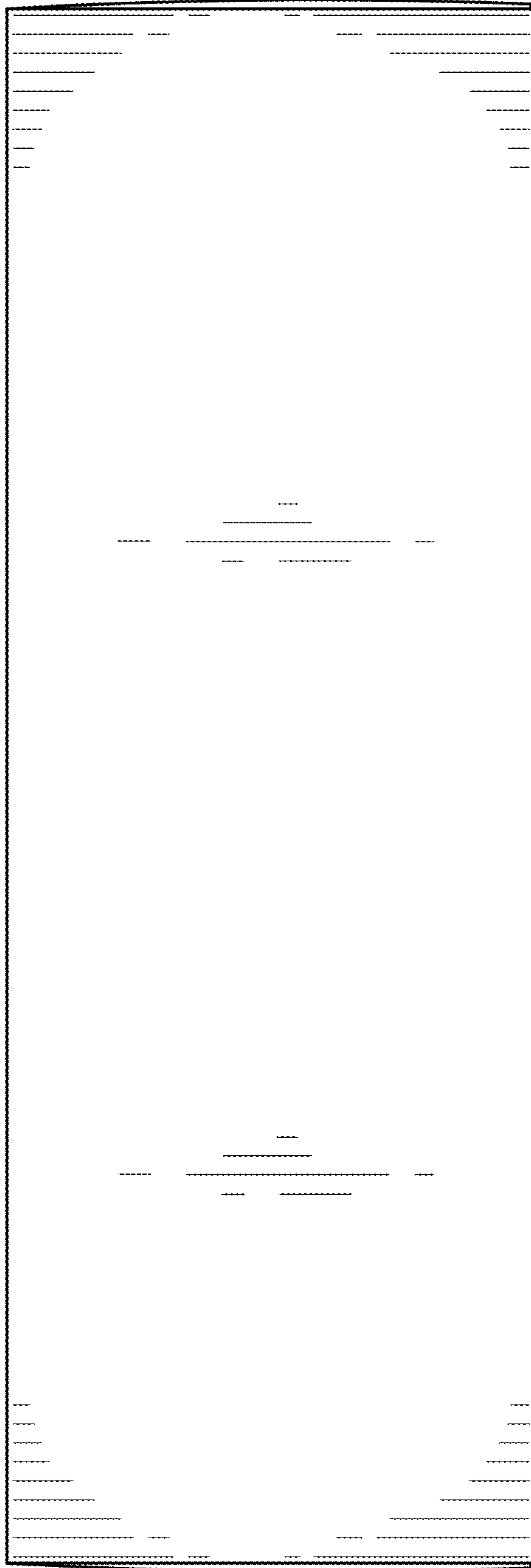


FIG. 13

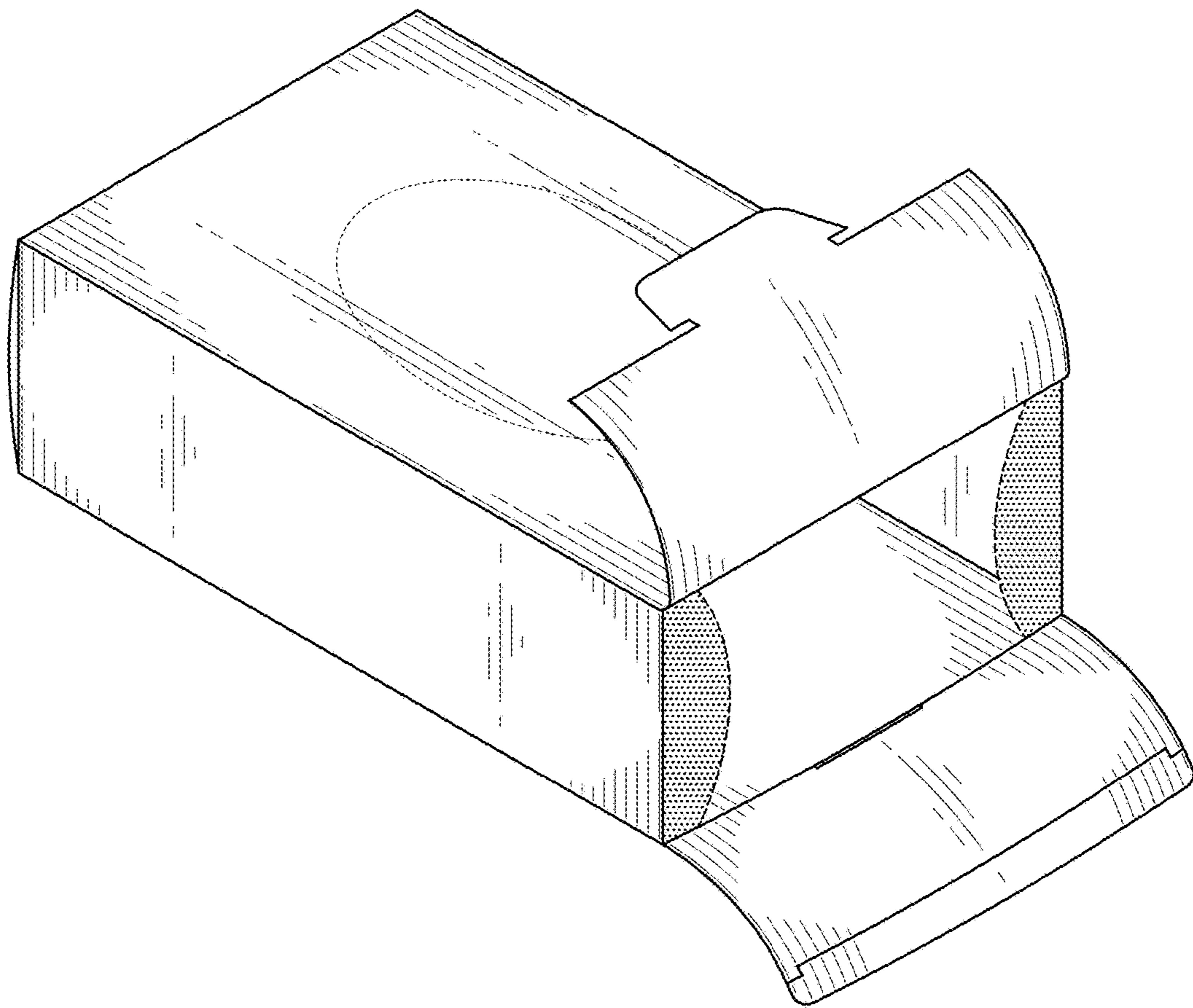


FIG. 14