



US00D834410S

(12) **United States Design Patent** (10) **Patent No.:** **US D834,410 S**
Brown (45) **Date of Patent:** **** Nov. 27, 2018**

(54) **PACKAGE**

(71) Applicant: **Pinnpack Packaging, LLC**, Oxnard, CA (US)

(72) Inventor: **Dean Brown**, Oxnard, CA (US)

(73) Assignee: **PINPACK PACKAGING, LLC**, Oxnard (CA)

(**) Term: **15 Years**

(21) Appl. No.: **29/611,911**

(22) Filed: **Jul. 26, 2017**

(51) **LOC (11) Cl.** **09-03**

(52) **U.S. Cl.**
USPC **D9/425**

(58) **Field of Classification Search**
USPC D7/538–542, 602, 608, 629; D9/414, D9/420, 424–426, 429, 432, 761; 206/501–509; 220/781, 791, 793, 220/811–813, 835, 839
CPC B65D 1/24; B65D 25/04; B65D 43/03; B65D 43/16; B65D 43/0212
See application file for complete search history.

(56) **References Cited**

U.S. PATENT DOCUMENTS

D557,601 S * 12/2007 Minidis D9/425
D590,706 S * 4/2009 Doliwa D7/629

D606,726 S * 12/2009 Minidis D1/102
D628,475 S * 12/2010 Snedden D9/426
D717,161 S * 11/2014 Liu D9/426
D743,783 S * 11/2015 Ambelang D9/425
2008/0160143 A1* 7/2008 Edwards B65D 1/34
426/129

* cited by examiner

Primary Examiner — Derrick E Holland

Assistant Examiner — Janice Patyk

(74) *Attorney, Agent, or Firm* — Michael R Shevlin

(57) **CLAIM**

The ornamental design for a package, as shown and described.

DESCRIPTION

FIG. 1 is a perspective view of a package, showing my new design;

FIG. 2 is a front view thereof;

FIG. 3 is a rear view thereof;

FIG. 4 is a right side view thereof;

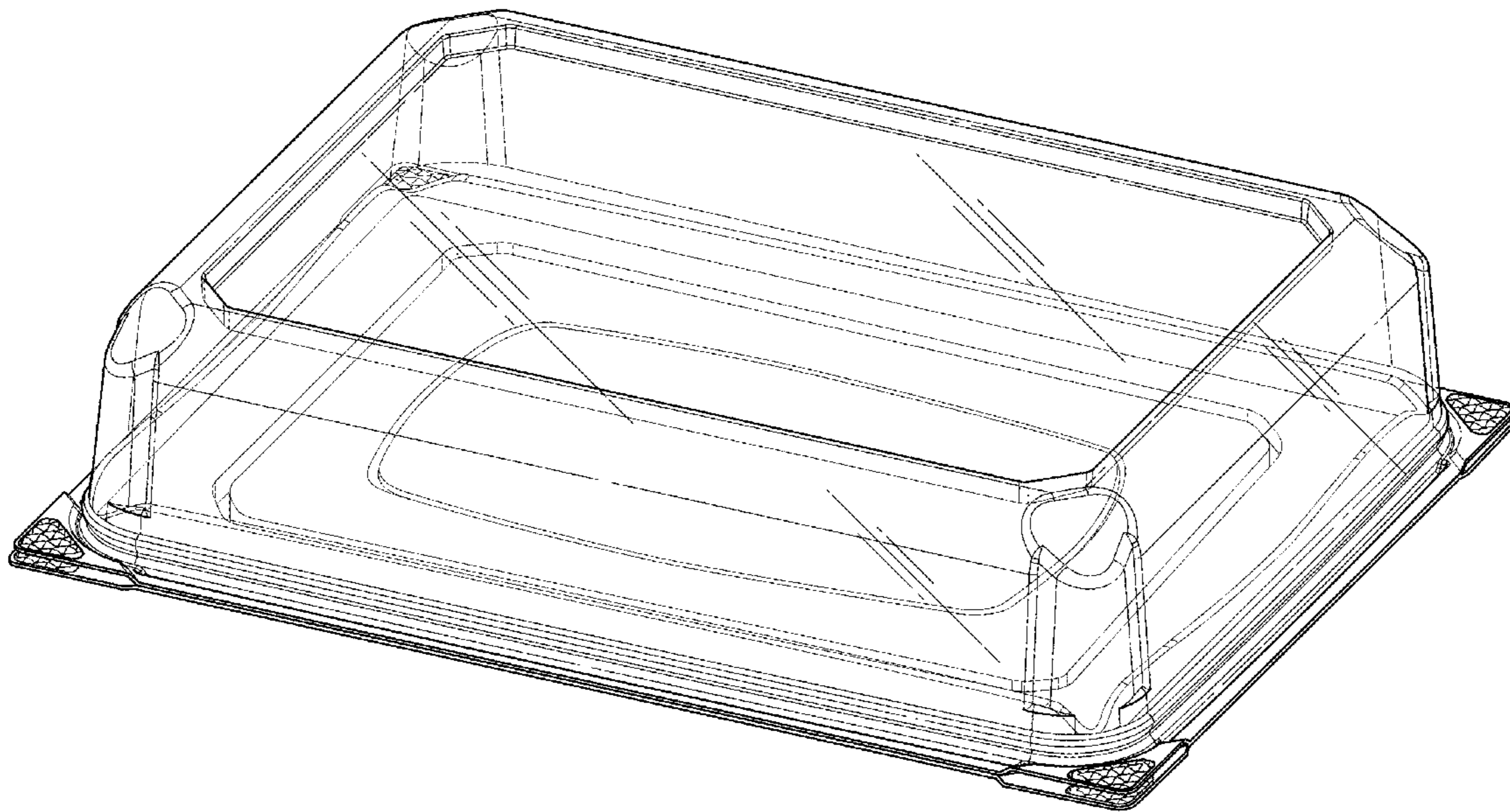
FIG. 5 is left side view thereof;

FIG. 6 is a top view thereof; and,

FIG. 7 is a bottom view thereof.

The broken lines in the figures illustrate the portions of the design that form no part of the claimed design.

1 Claim, 7 Drawing Sheets



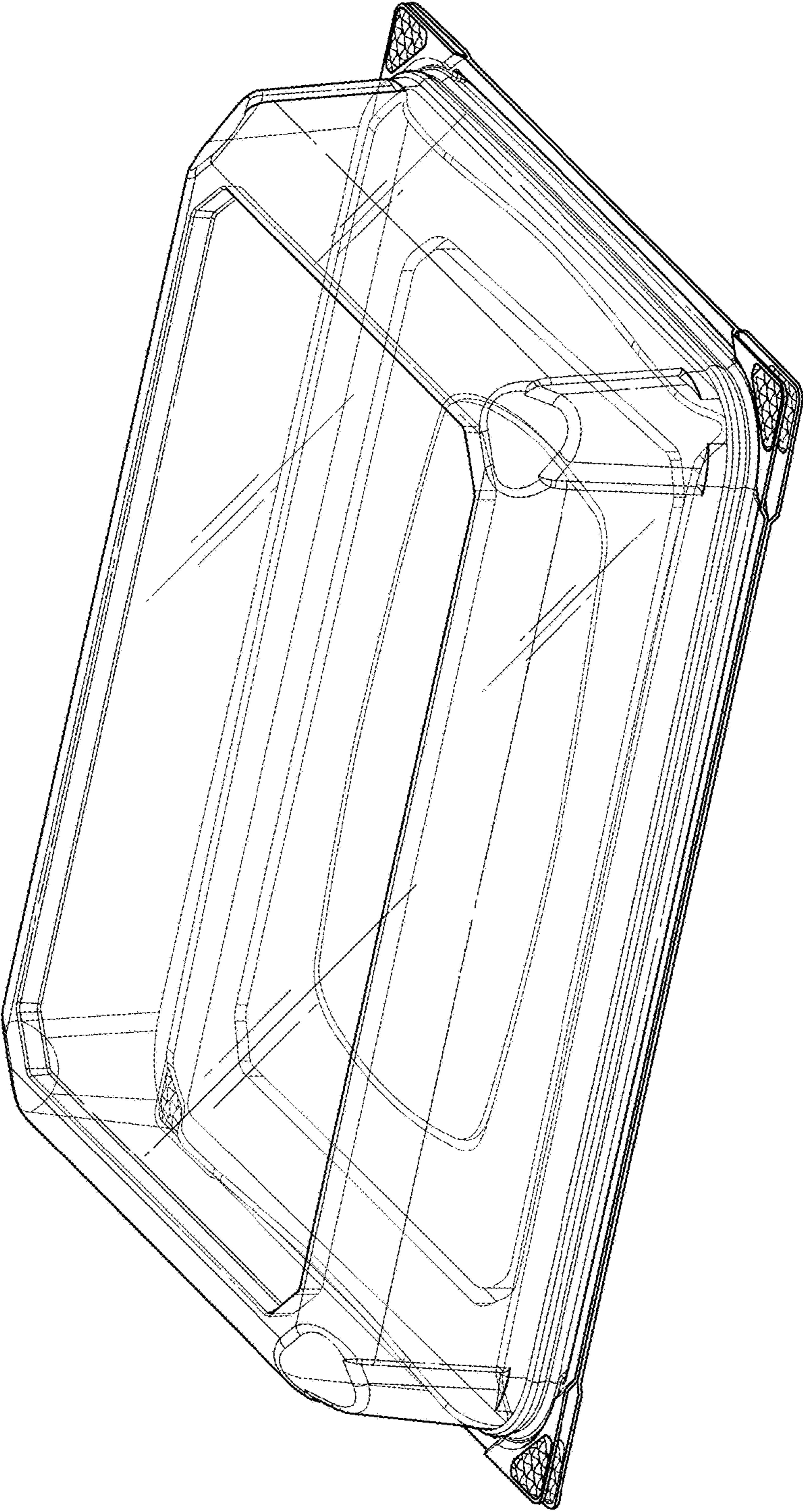


FIG. 1

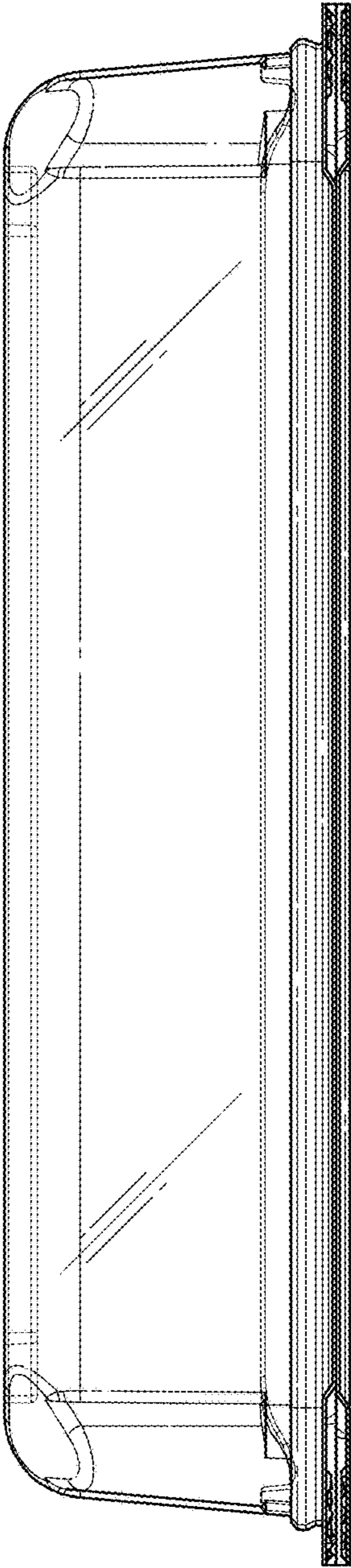


FIG. 2

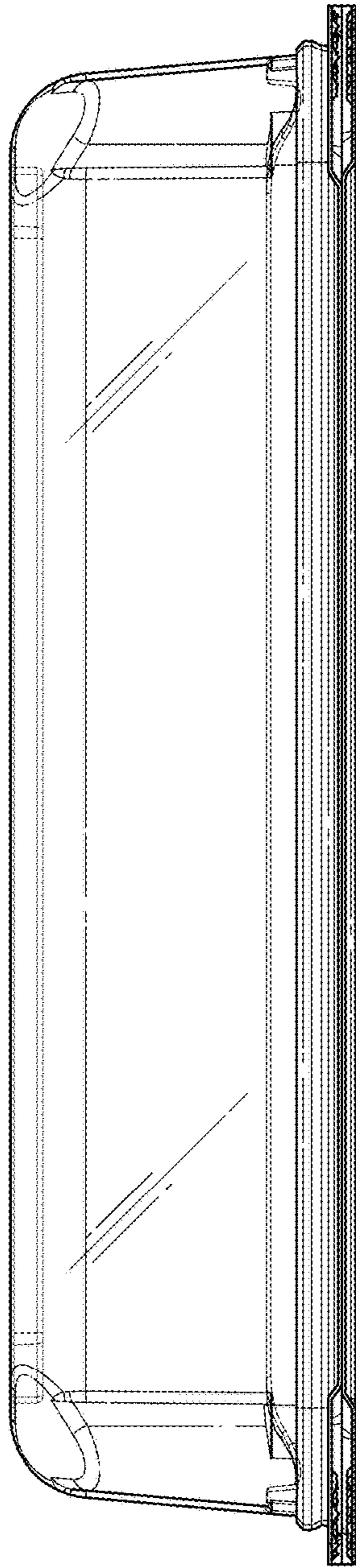


FIG. 3

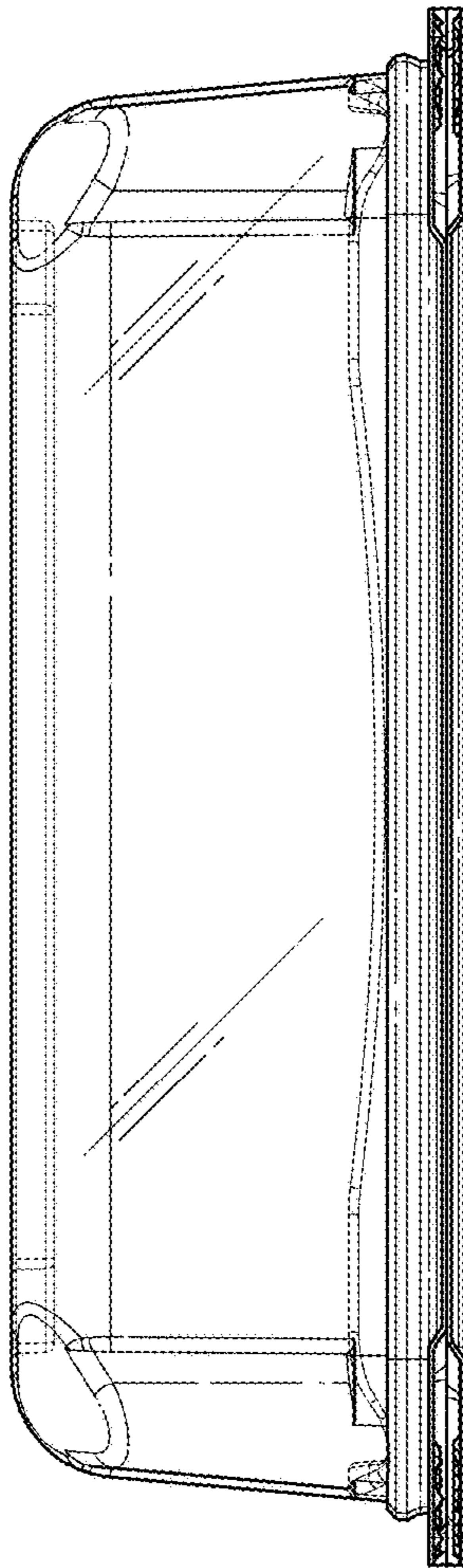


FIG. 4

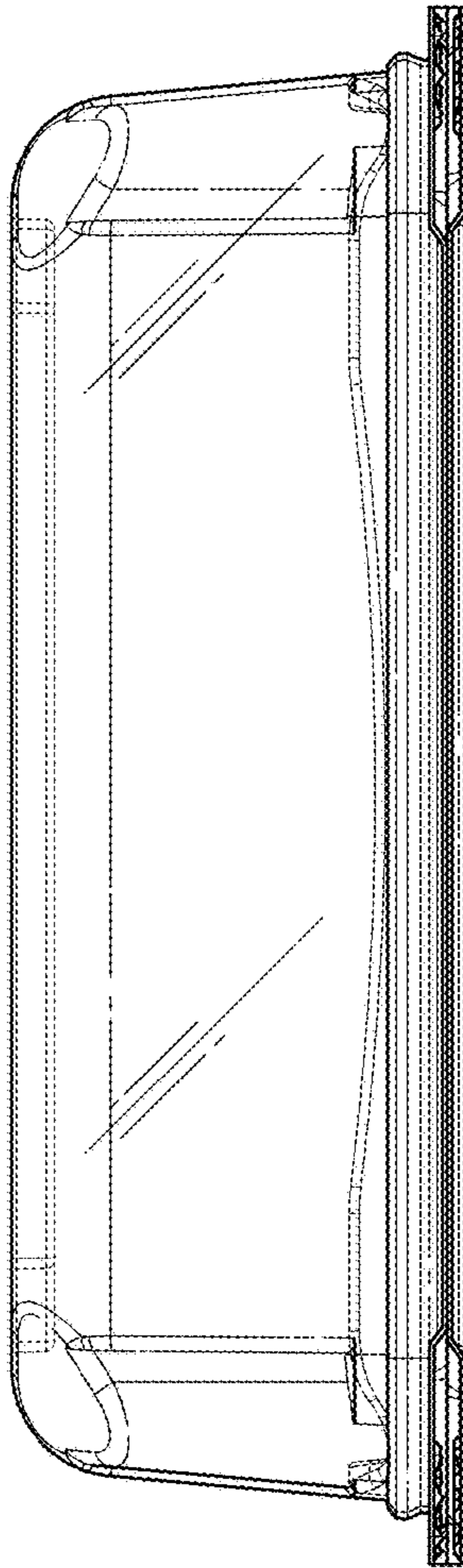


FIG. 5

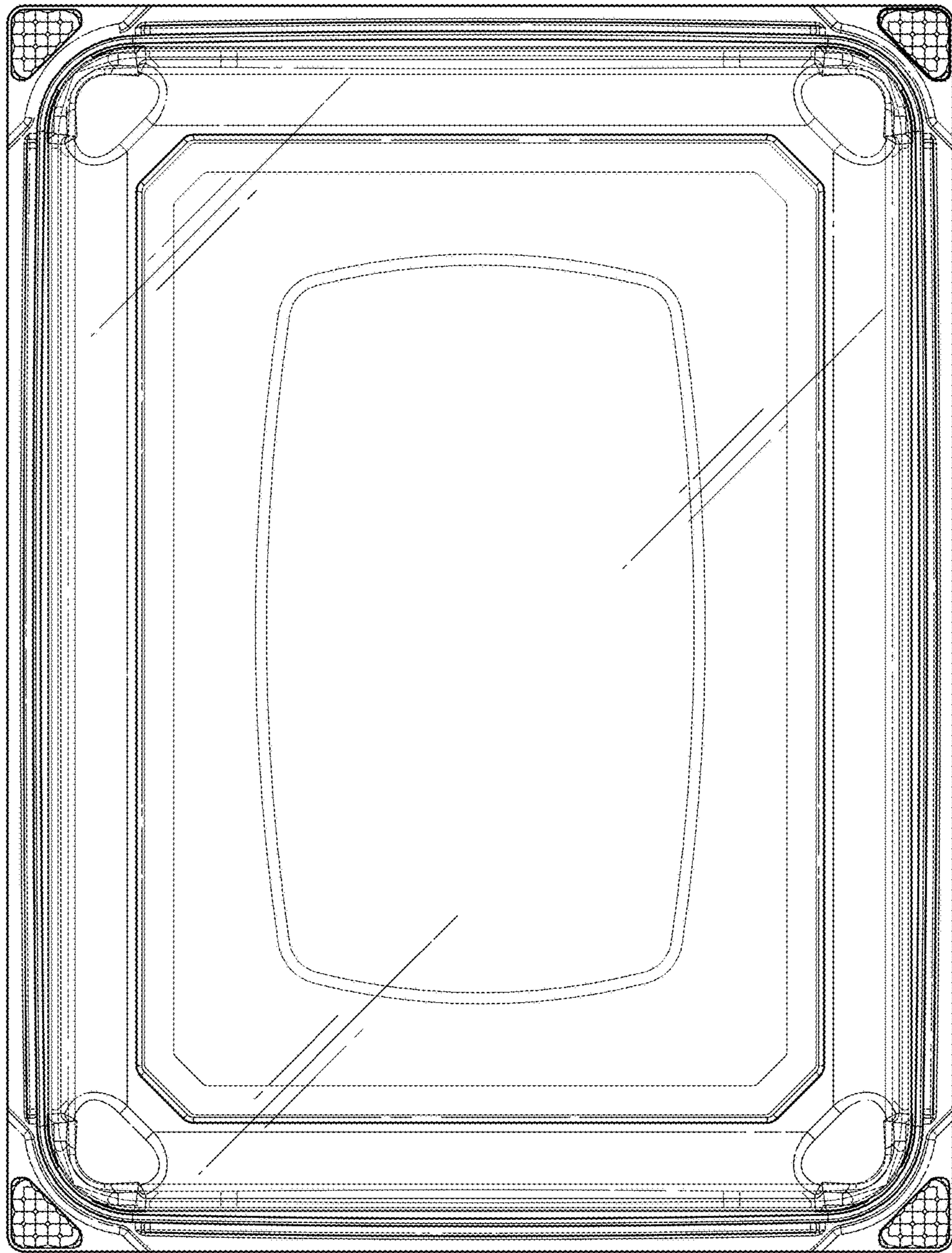


FIG. 6

FIG. 7

