



US00D834409S

(12) **United States Design Patent** (10) **Patent No.:** **US D834,409 S**  
**Banacki** (45) **Date of Patent:** **\*\* Nov. 27, 2018**

(54) **FLASH DRIVE CASE**  
(71) Applicant: **Rebecca Banacki**, Grand Blanc, MI (US)  
(72) Inventor: **Rebecca Banacki**, Grand Blanc, MI (US)  
(\*\*) Term: **15 Years**  
(21) Appl. No.: **29/588,473**  
(22) Filed: **Dec. 21, 2016**  
(51) **LOC (11) Cl.** ..... **09-03**  
(52) **U.S. Cl.**  
USPC ..... **D9/420**  
(58) **Field of Classification Search**  
USPC ..... D9/414, 415, 416, 432, 433, 658;  
D3/201, 203.1, 273, 294, 298, 299, 300,  
D3/304, 314  
CPC ..... B65D 5/2057; B65D 5/541; B65D 75/14;  
B65D 83/0418; B65D 85/60; B65D  
5/546; B65D 5/705; B65D 71/0085;  
B65D 83/0847; B65D 5/545; B65D  
75/5838; B65D 2571/0066  
See application file for complete search history.

D265,889 S \* 8/1982 Lawrence ..... D9/418  
D276,761 S \* 12/1984 Lang ..... D3/267  
D531,498 S \* 11/2006 Fluegel ..... D9/432  
D545,188 S \* 6/2007 Billig ..... D9/432  
D608,194 S \* 1/2010 Gajardo ..... D9/433  
D647,395 S \* 10/2011 Mitten ..... D9/420  
D681,442 S \* 5/2013 Kengla ..... D9/414  
9,630,740 B2 \* 4/2017 Ishikawa ..... B65D 5/0254  
2015/0264830 A1 \* 9/2015 Banacki ..... B65D 25/205  
206/307  
2016/0039573 A1 \* 2/2016 Curnock ..... B65D 25/04  
53/415

\* cited by examiner

*Primary Examiner* — Lauren R Calve  
(74) *Attorney, Agent, or Firm* — The Weintraub Group,  
P.L.C.

(57) **CLAIM**

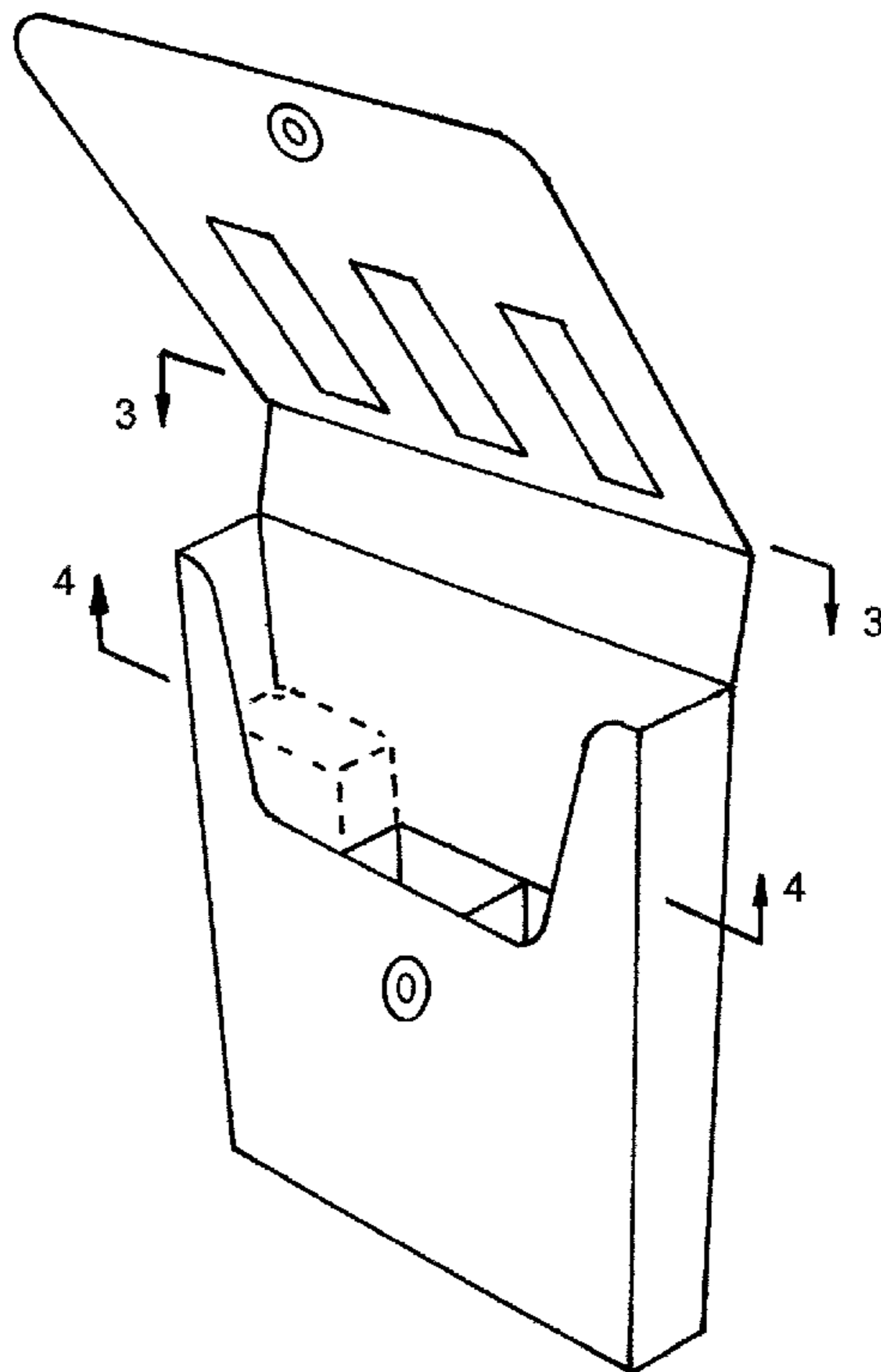
I claim, the ornamental design for a flash drive case, as shown.

**DESCRIPTION**

FIG. 1 is a perspective view of a flash drive case;  
FIG. 2 is a perspective of the flash drive case hereof with the covering flap in position;  
FIG. 3 is a partial top perspective view according to the dashed lines 3-3 shown in FIG. 1; and,  
FIG. 4 is a partial front perspective view according to the dashed lines 4-4 in FIG. 1.  
The broken lines shown are for illustrative purposes only and form no part of the claimed design.

**1 Claim, 4 Drawing Sheets**

(56) **References Cited**  
U.S. PATENT DOCUMENTS  
425,188 A \* 4/1890 Riedell ..... B65D 5/16  
229/122  
D83,042 S \* 1/1931 Goldberg ..... D9/422



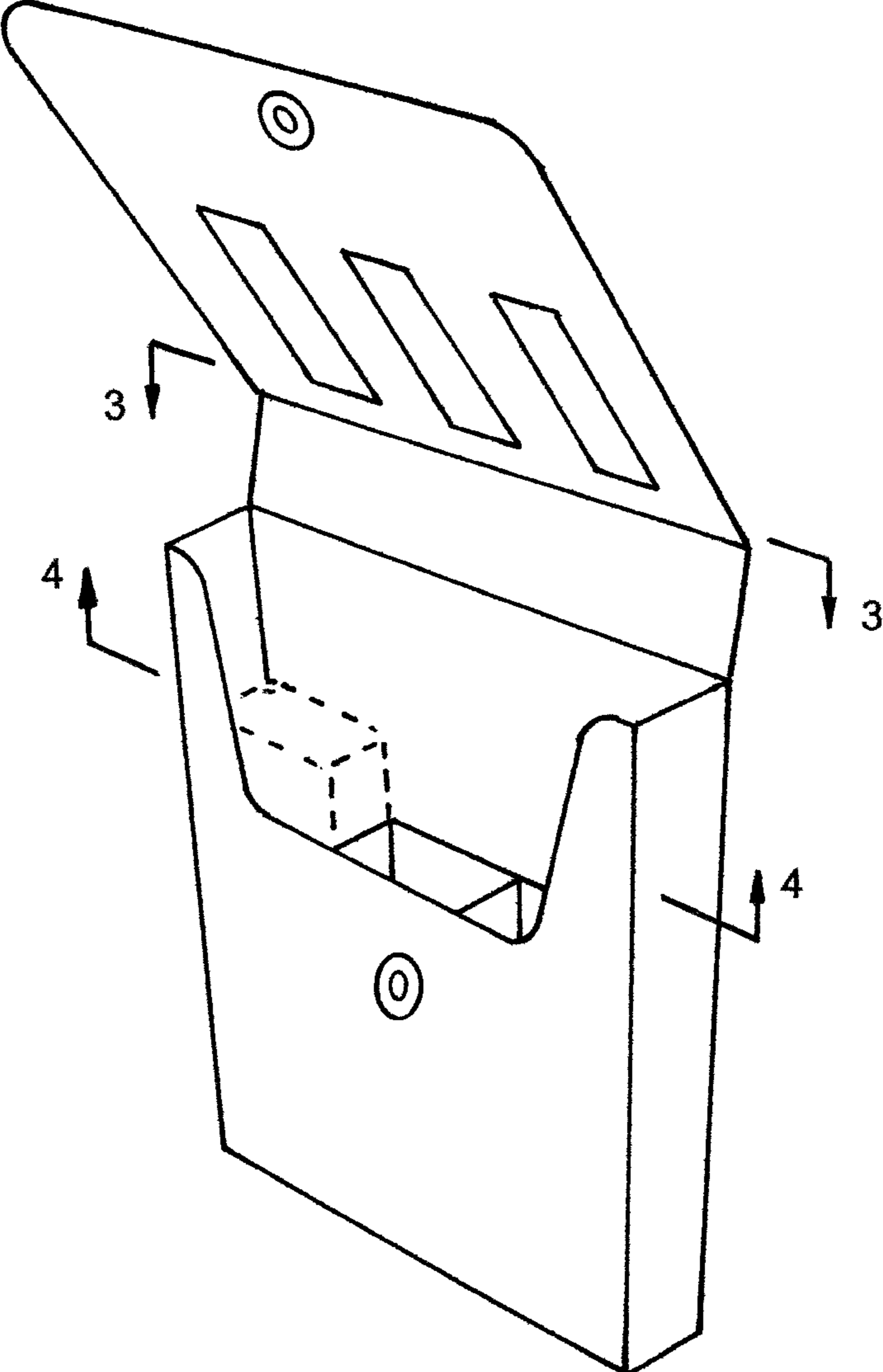


FIG.1

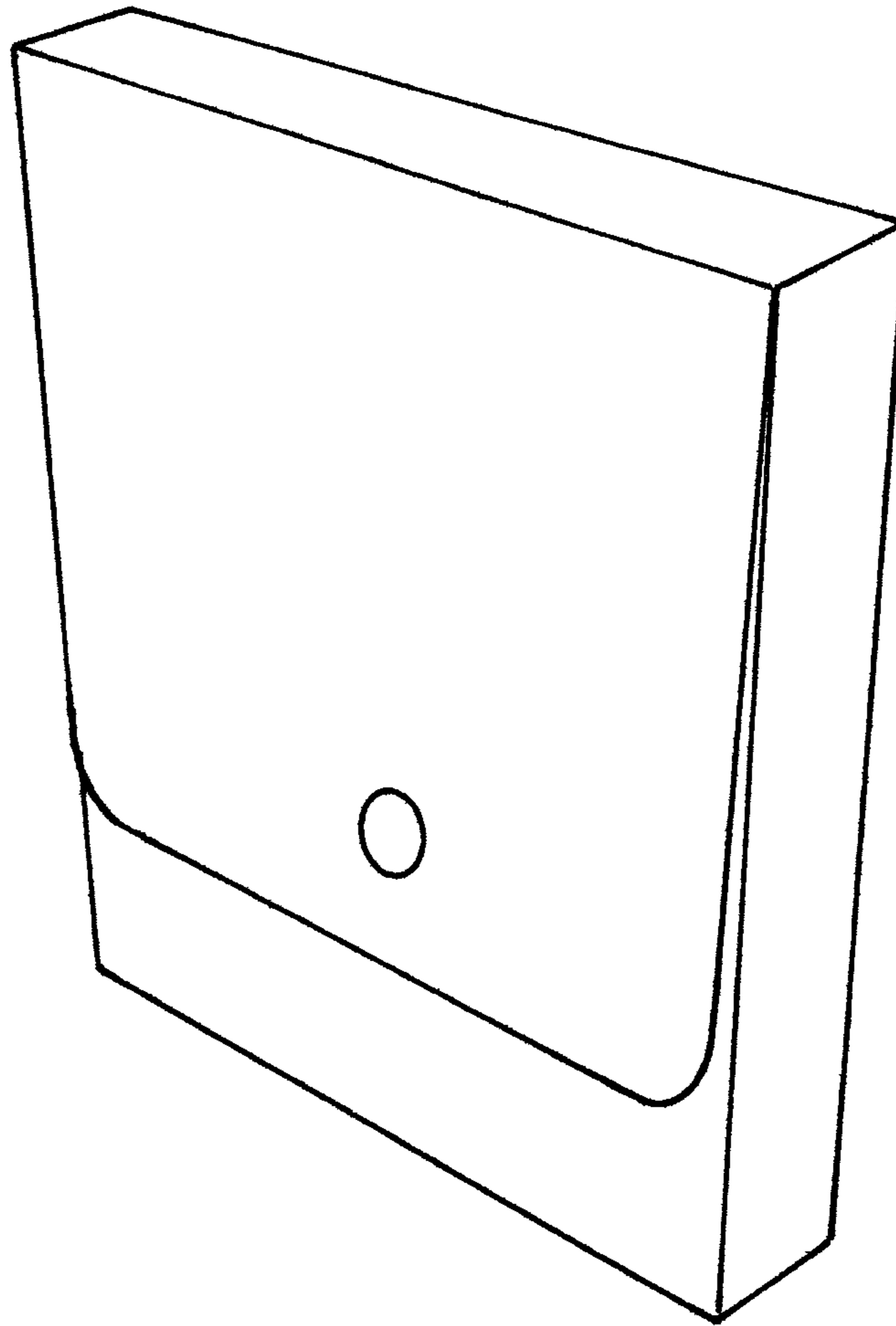


FIG.2

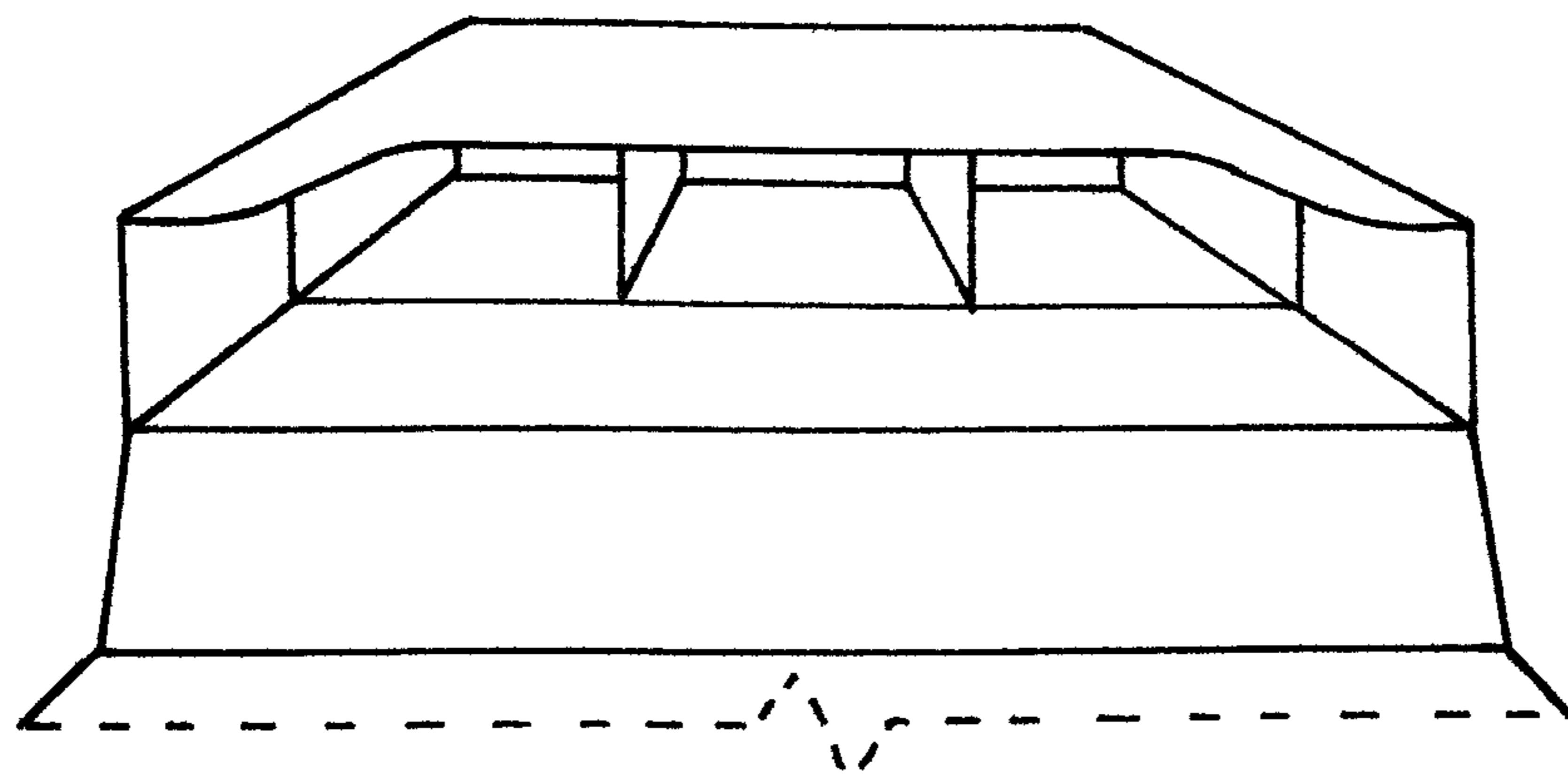


FIG.3

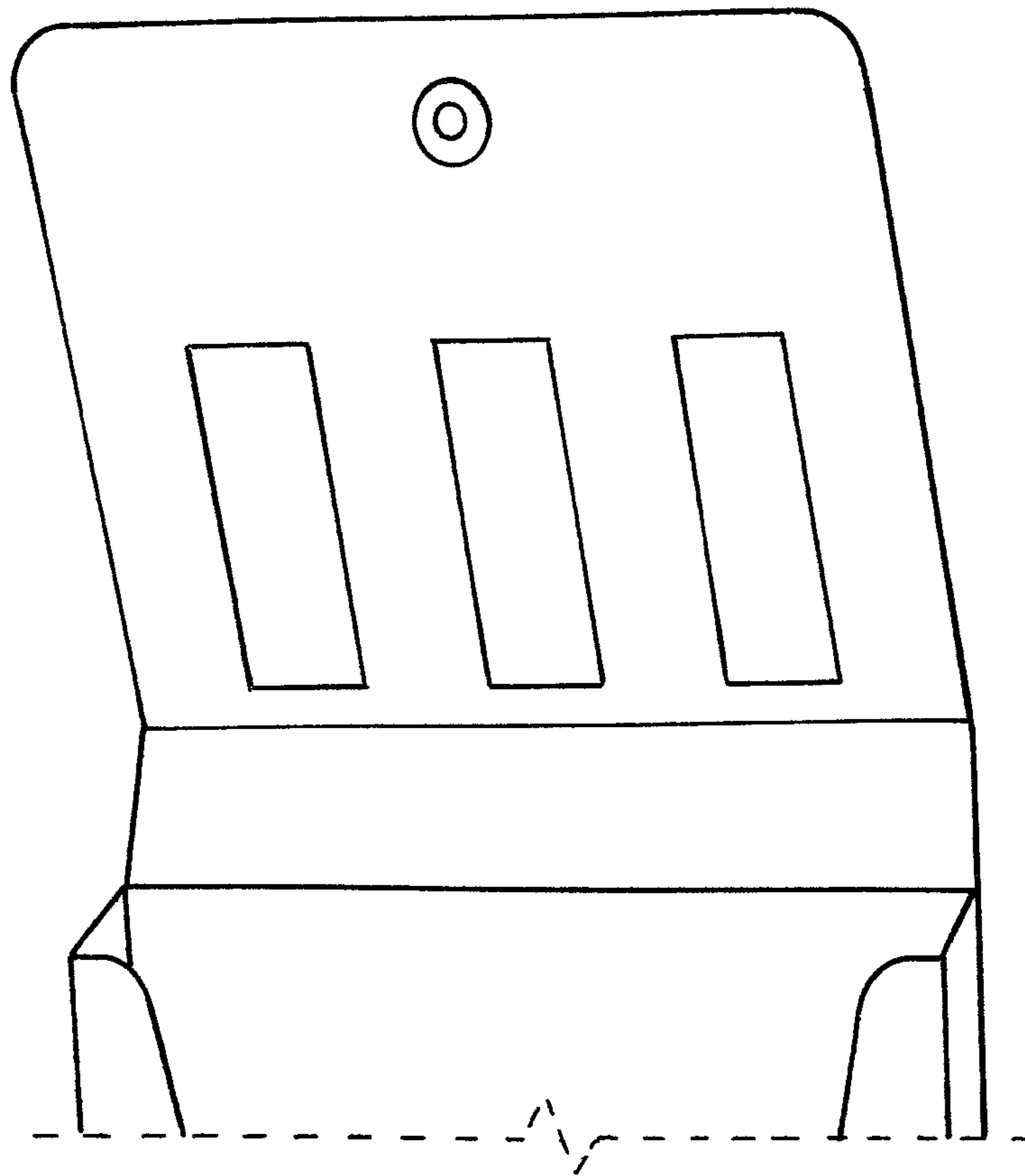


FIG.4