



US00D834408S

(12) **United States Design Patent** (10) **Patent No.:** **US D834,408 S**
Hon (45) **Date of Patent:** **** Nov. 27, 2018**

(54) **OPEN BOX CONTAINER**
(71) Applicant: **PPDJ Holdings, LLC**, Tustin, CA (US)
(72) Inventor: **Phil Hon**, Tustin, CA (US)
(73) Assignee: **ROVE, LLC**, Costa Mesa, CA (US)
(**) Term: **15 Years**
(21) Appl. No.: **29/593,441**
(22) Filed: **Feb. 8, 2017**
(51) **LOC (11) Cl.** **09-03**
(52) **U.S. Cl.**
USPC **D9/418; D9/432**
(58) **Field of Classification Search**
USPC D9/414, 418, 430, 432, 433; D3/201
CPC B65D 42/4204; B65D 85/00; B65D 85/20;
B65D 85/54; B65D 2571/0066; B65D
81/113; B65D 81/133; B65D 73/0042;
B65D 73/0078; B65D 73/0085; B65D
77/02; B65D 77/0413; B65D 77/0453;
B65D 83/0805; B65D 5/5019; B65D
2207/00; B65D 75/04; B65D 75/14;
B65D 75/522
See application file for complete search history.

D709,363 S * 7/2014 Boehnen D9/418
D740,654 S * 10/2015 Boehnen D9/418
D774,890 S * 12/2016 Mongeon D9/418
D781,141 S * 3/2017 Phillips D9/432
D792,208 S * 7/2017 Borkovetz D9/418
9,757,007 B2* 9/2017 Mongeon B65D 75/06

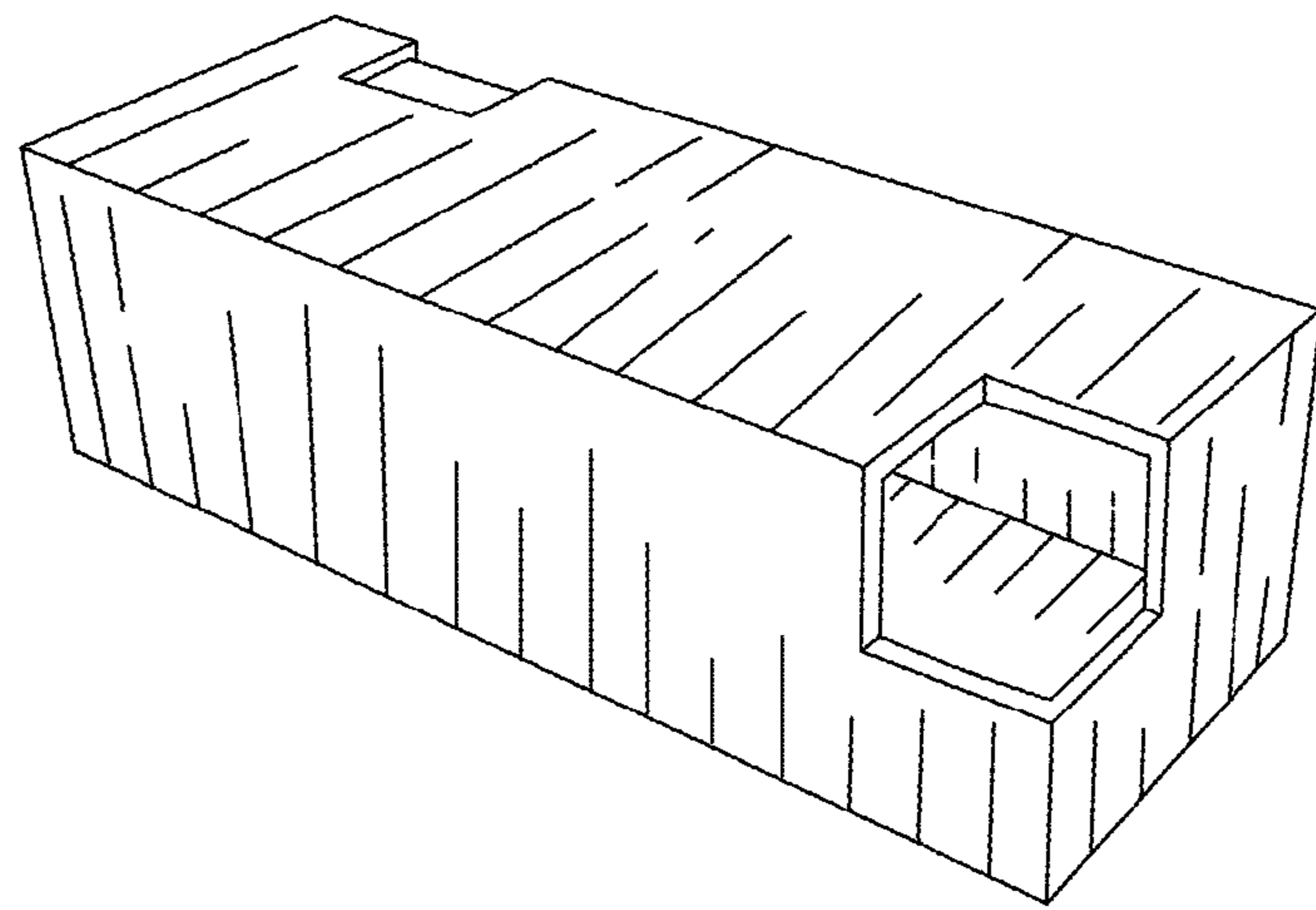
* cited by examiner
Primary Examiner — Lauren R Calve
(74) *Attorney, Agent, or Firm* — Kwan & Olynick LLP

(57) **CLAIM**
The ornamental design for an open box container, as shown and described.

DESCRIPTION
FIG. 1 is a perspective view of an open box container showing back, top, and right sides;
FIG. 2 is a perspective view of the open box container showing back, bottom, and right sides;
FIG. 3 is a perspective view of the open box container showing front, top, and left sides;
FIG. 4 is a perspective view of the open box container showing front, bottom, and left sides;
FIG. 5 is a perspective view of the open box container showing back, top, and left sides;
FIG. 6 is a perspective view of the open box container showing back, bottom, and left sides;
FIG. 7 is a perspective view of the open box container showing front, top, and right sides;
FIG. 8 is a perspective view of the open box container showing front, bottom, and right sides;
FIG. 9 is a top view thereof;
FIG. 10 is a bottom view thereof;
FIG. 11 is a front view thereof;
FIG. 12 is a left view thereof;
FIG. 13 is a rear side view thereof; and,
FIG. 14 is a right side view thereof.

(56) **References Cited**
U.S. PATENT DOCUMENTS
6,059,180 A * 5/2000 Collins B65D 5/5016
206/591
6,460,703 B1 * 10/2002 Thompson B65D 5/4204
206/68
D570,210 S * 6/2008 McGrath D9/418
D604,602 S * 11/2009 Kohno D9/418
8,191,707 B2 * 6/2012 McDonald B65D 5/0254
206/326
D690,593 S * 10/2013 Kaps D9/418
D702,546 S * 4/2014 McAdam D9/418

1 Claim, 7 Drawing Sheets



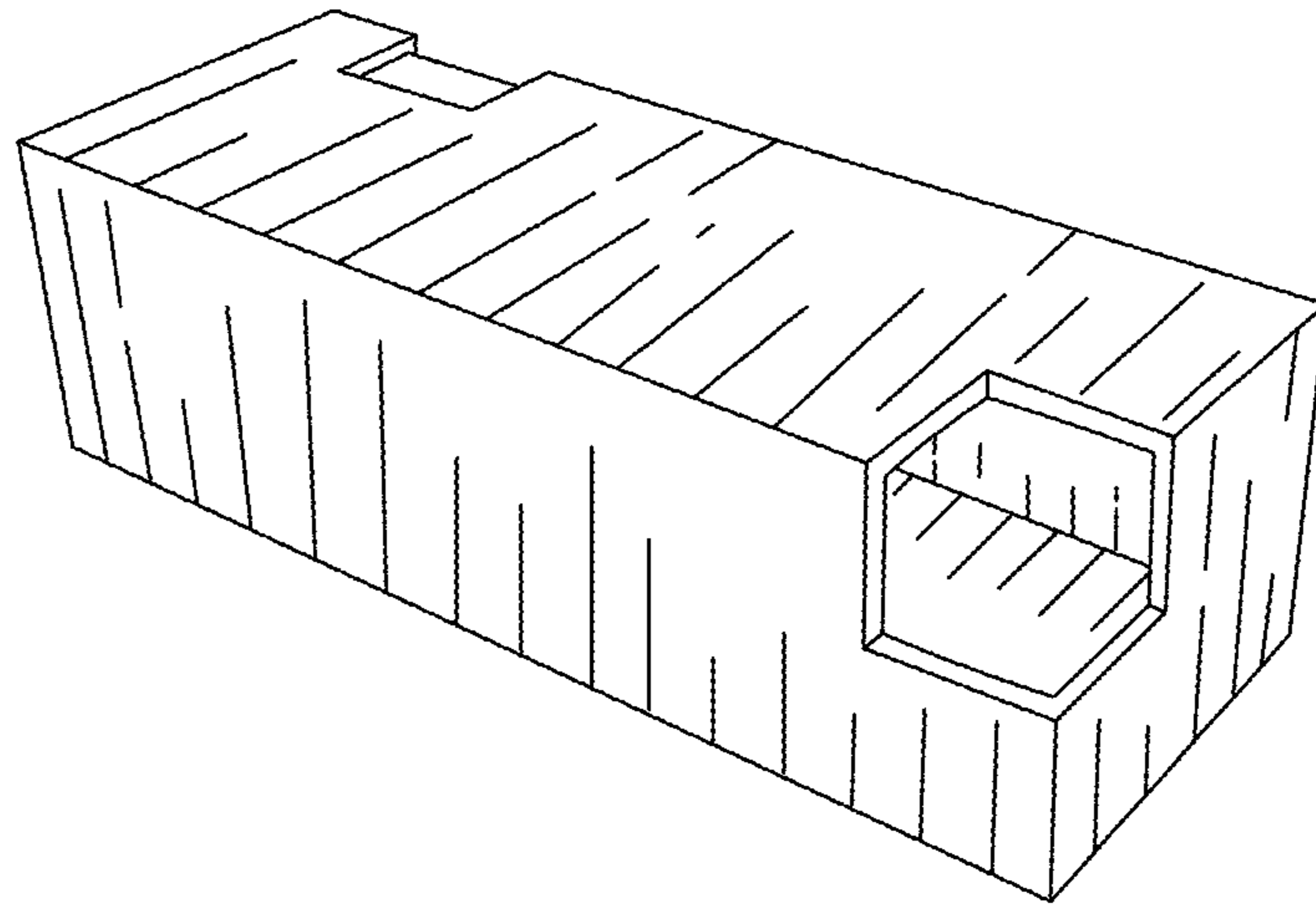


FIG. 1

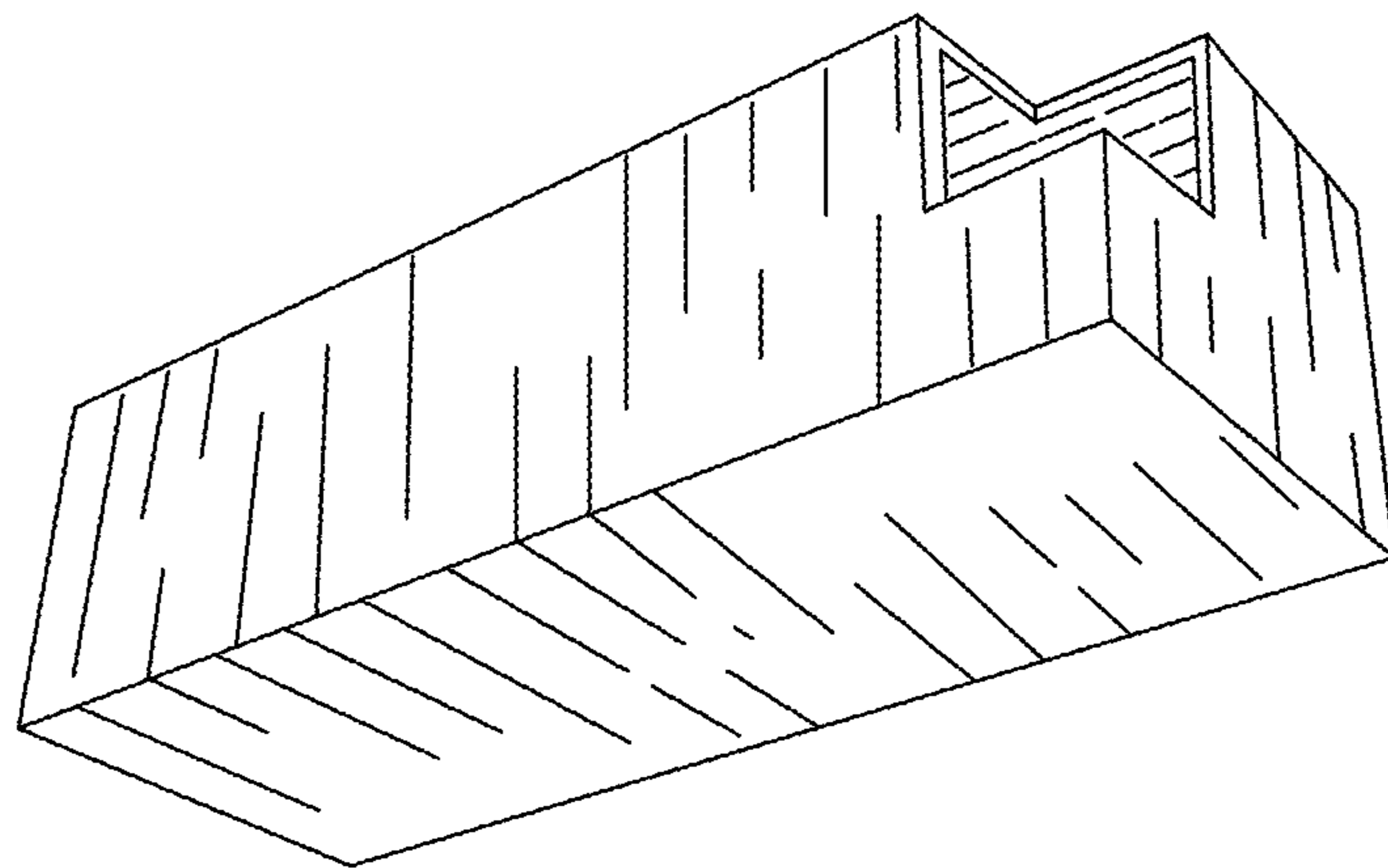


FIG. 2

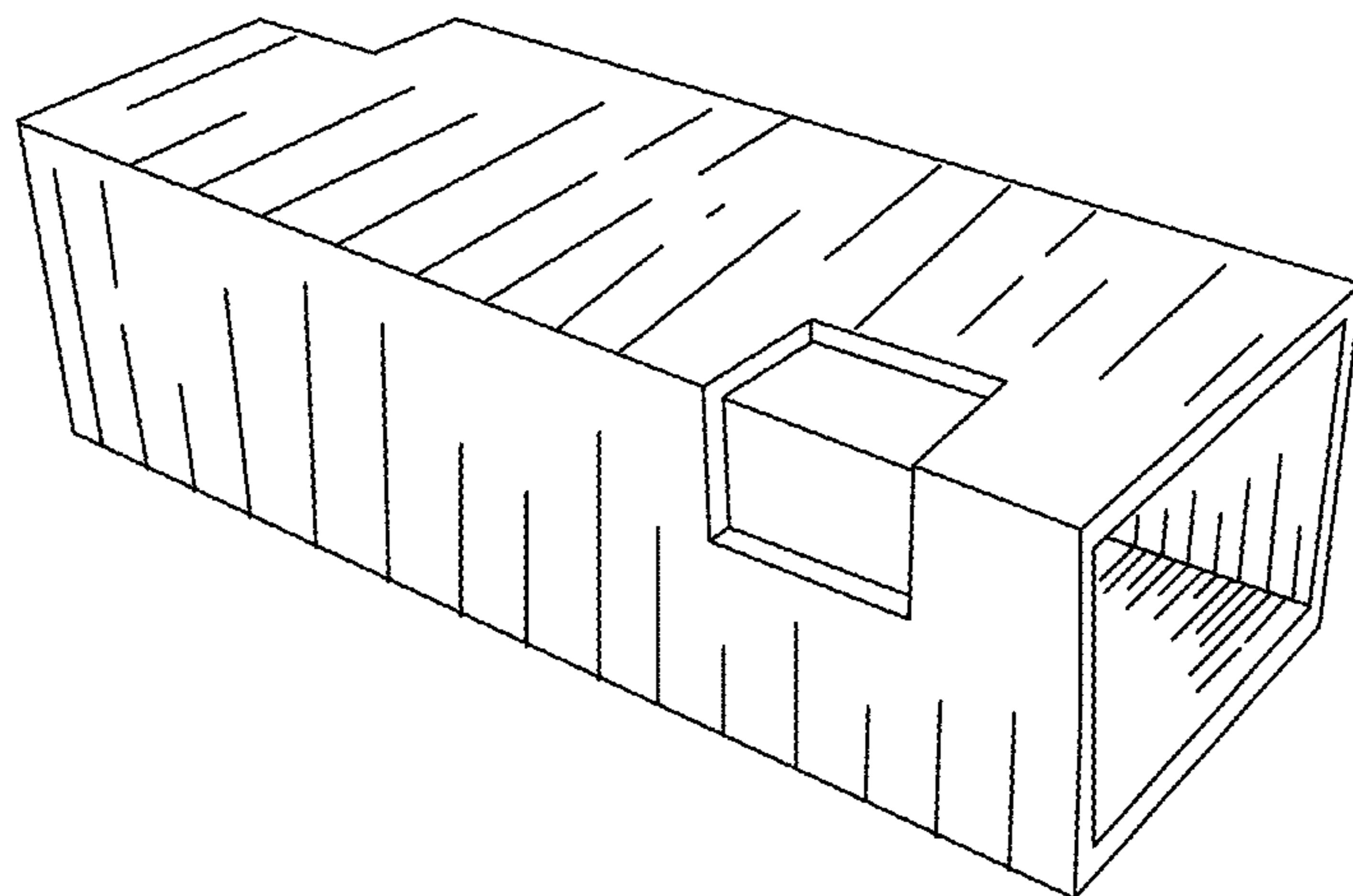


FIG. 3

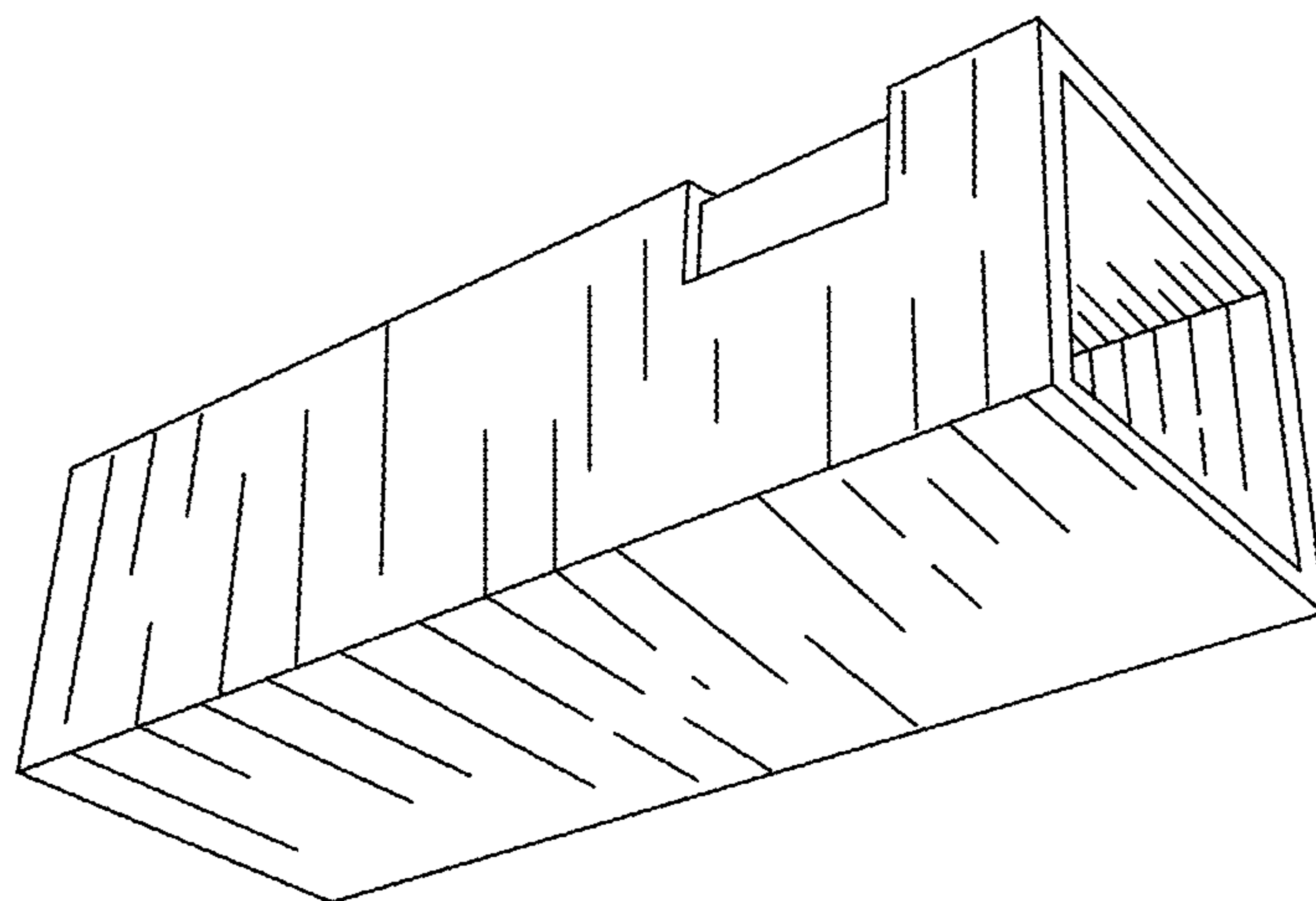


FIG. 4

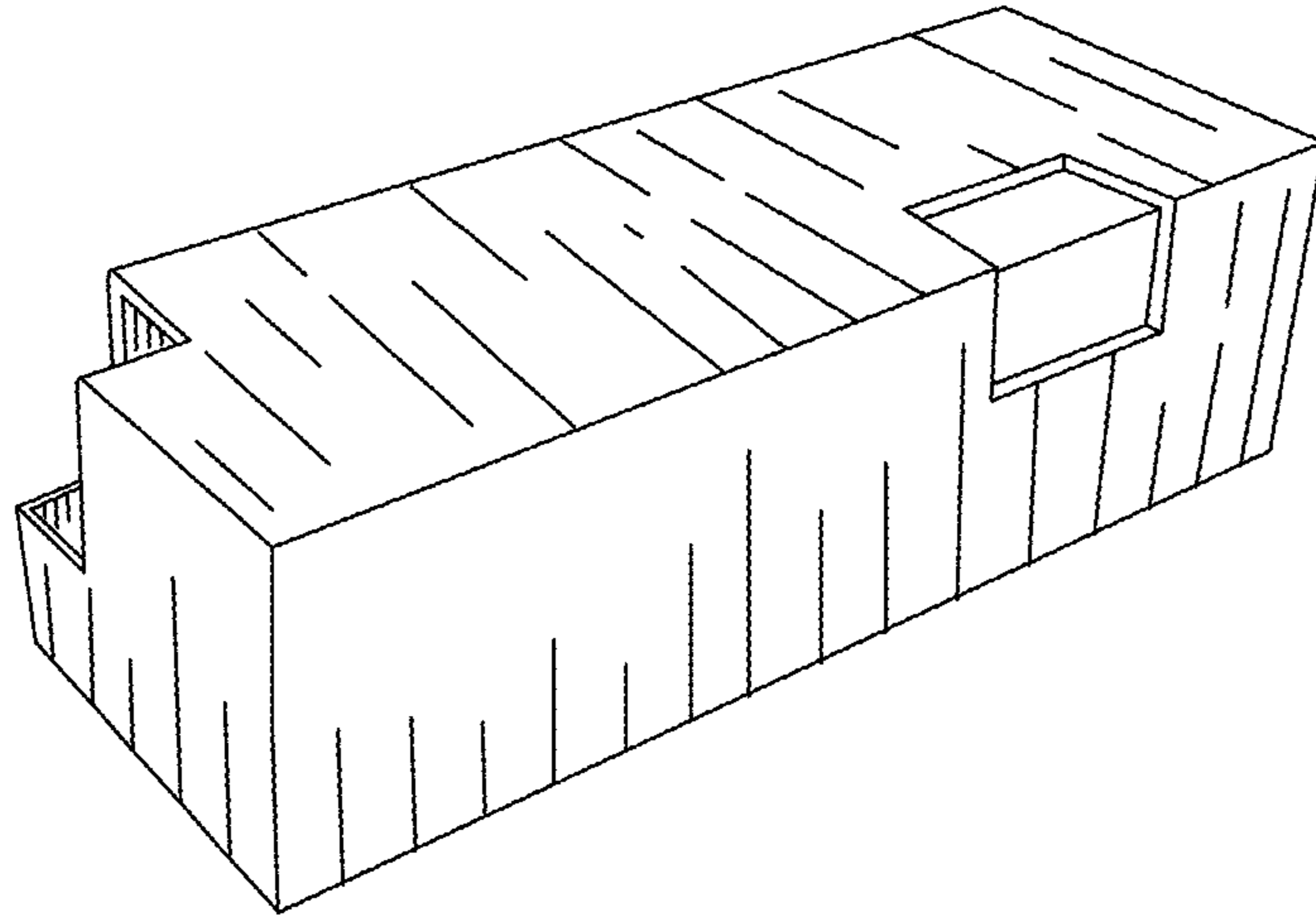


FIG. 5

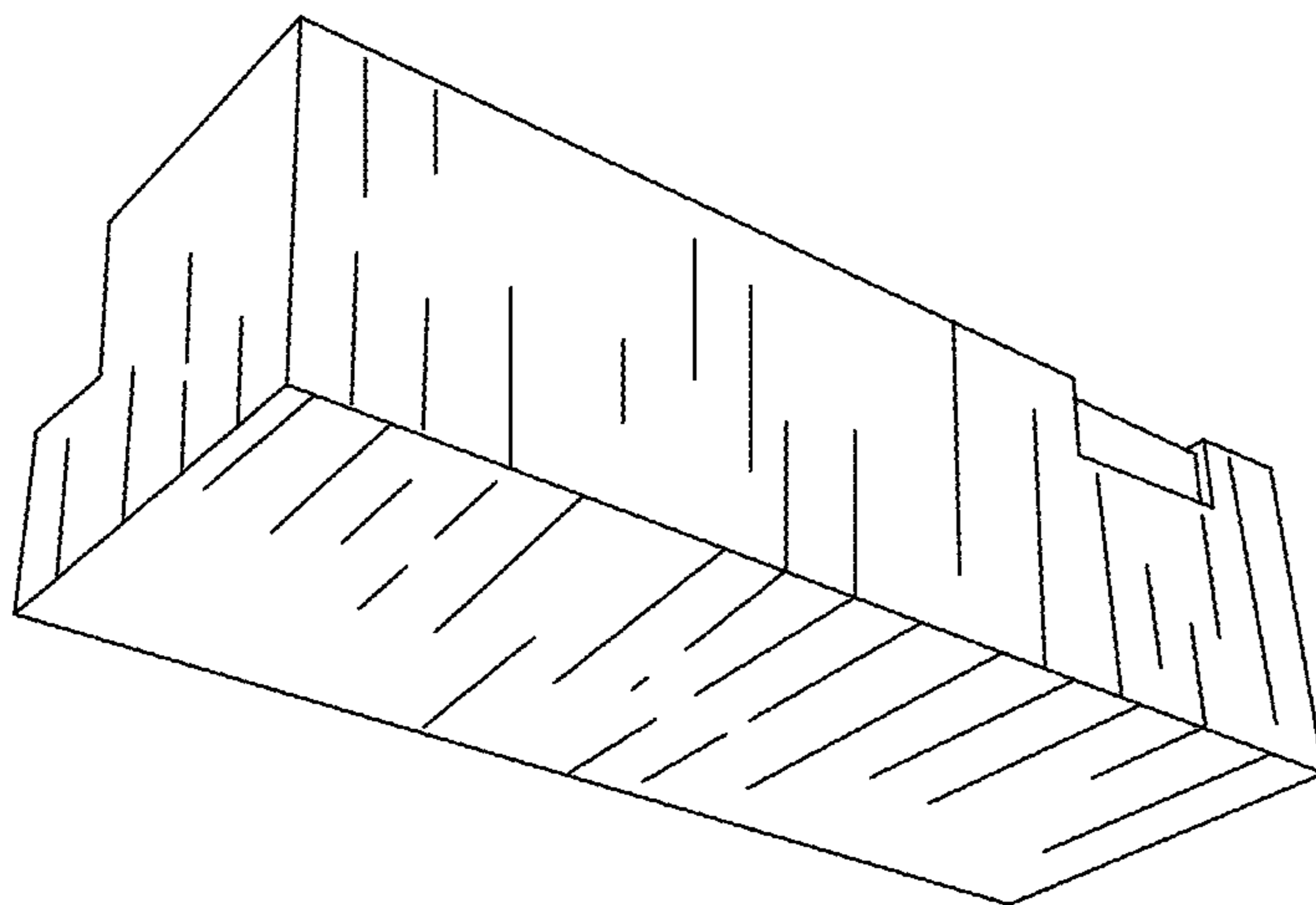


FIG. 6

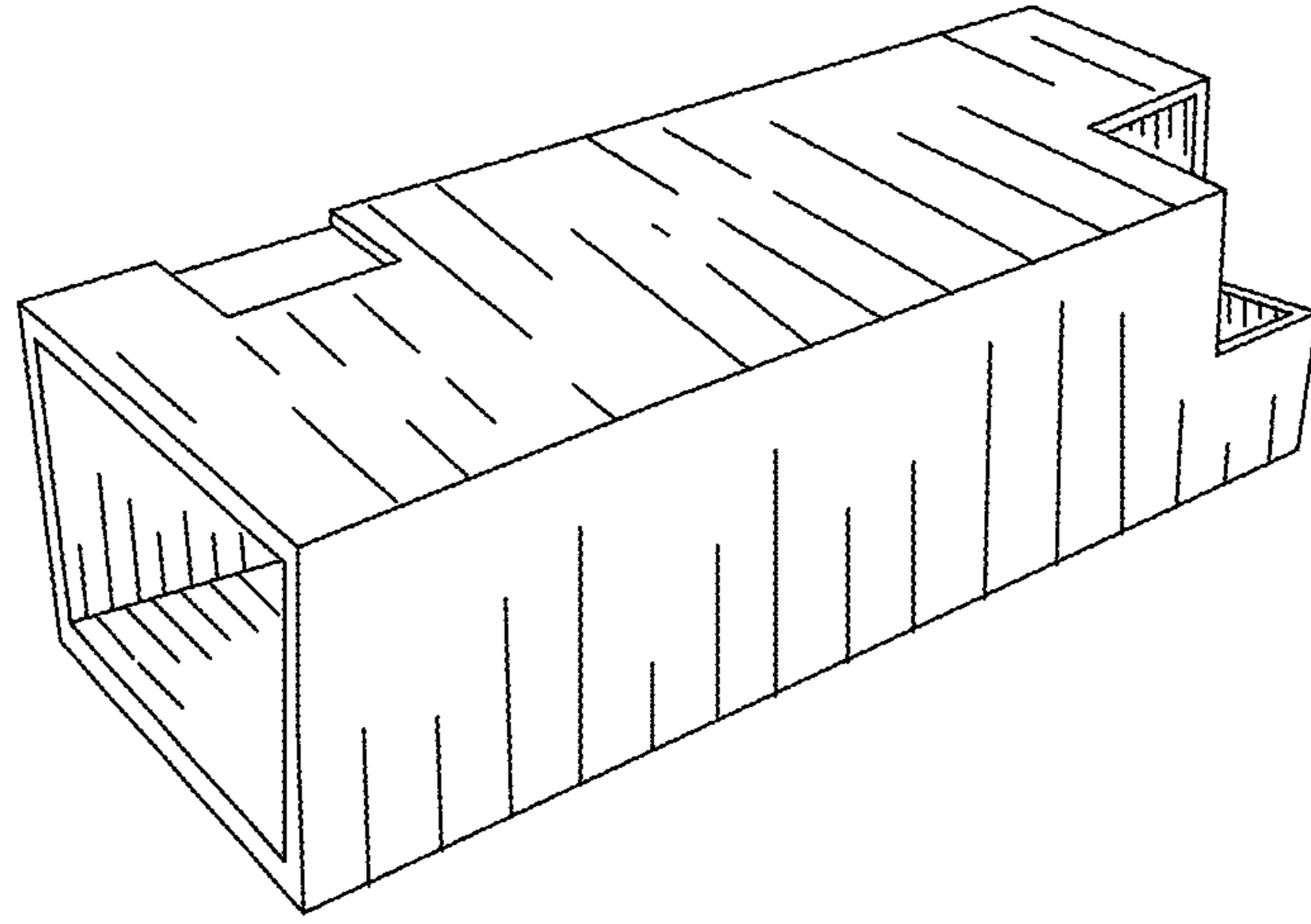


FIG. 7

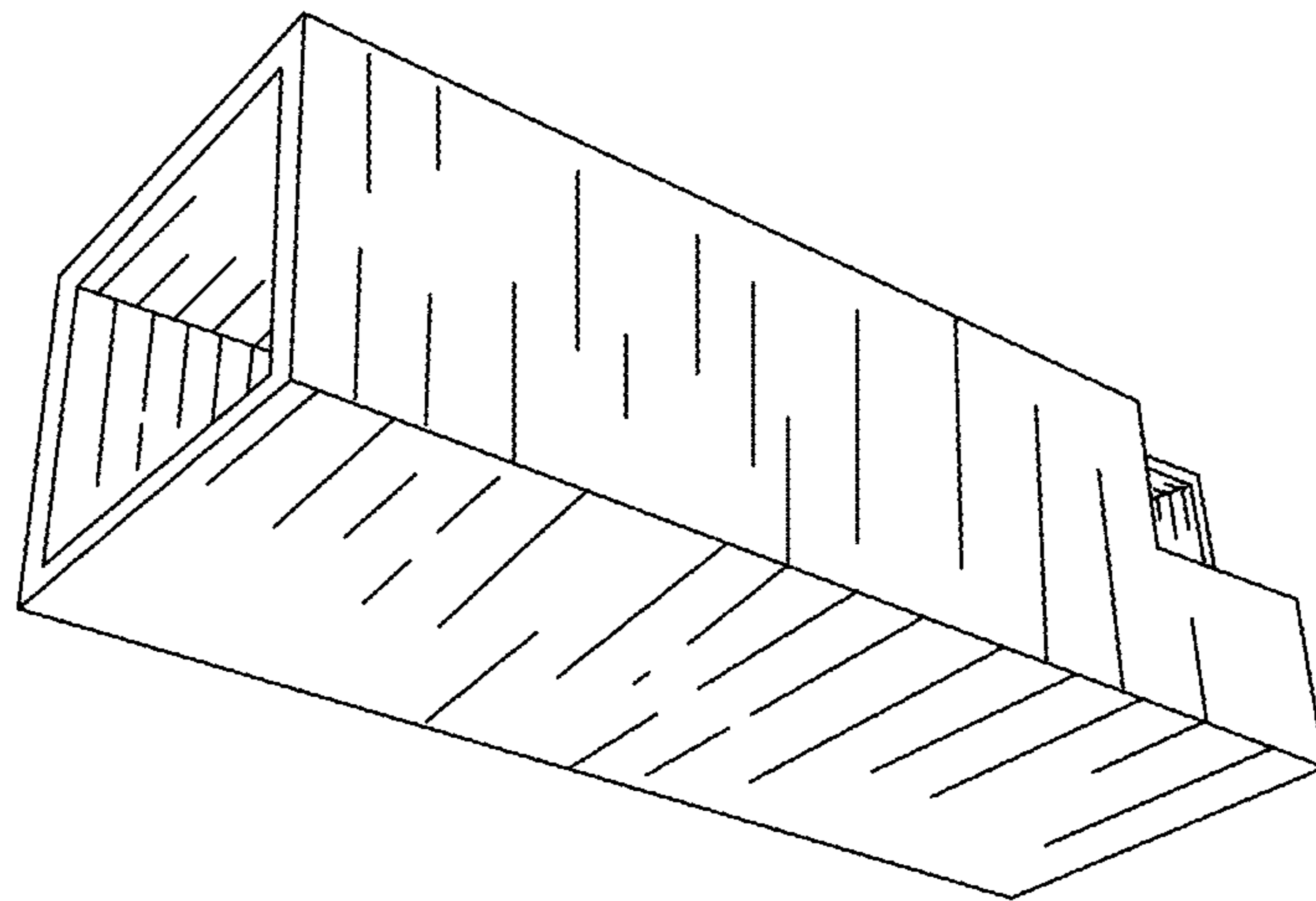


FIG. 8

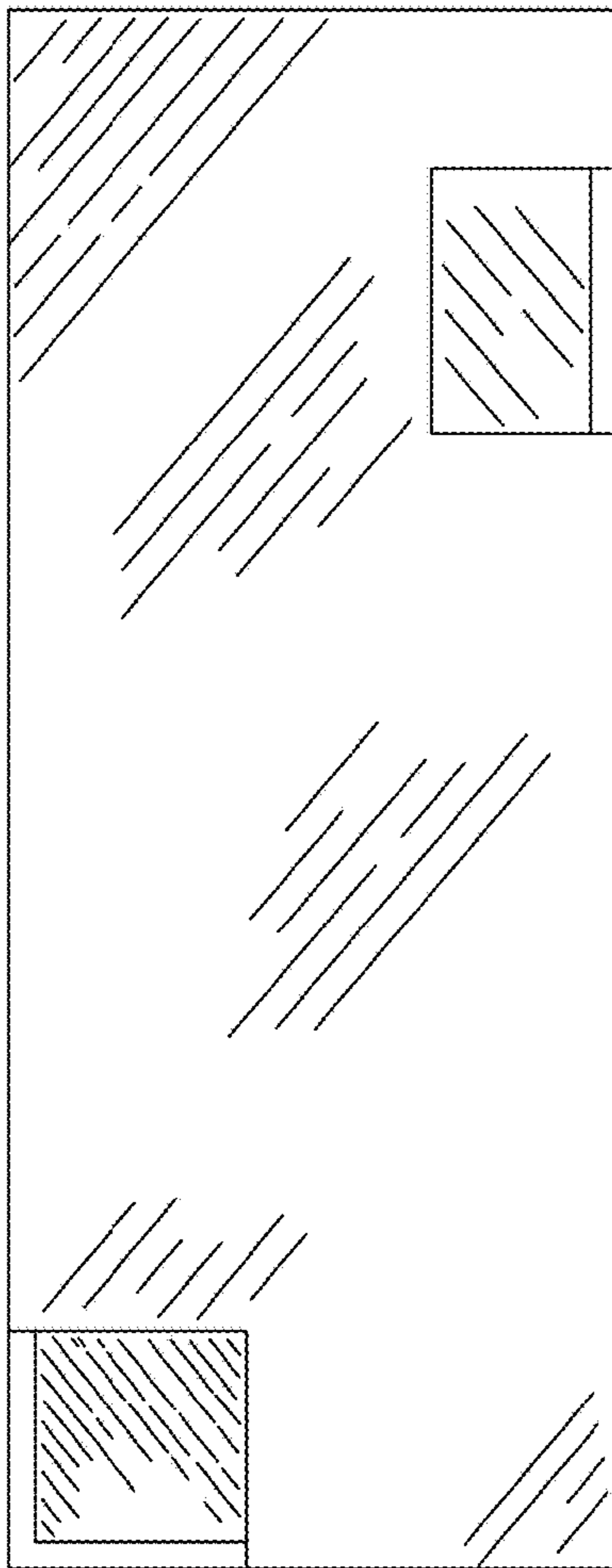


FIG. 9

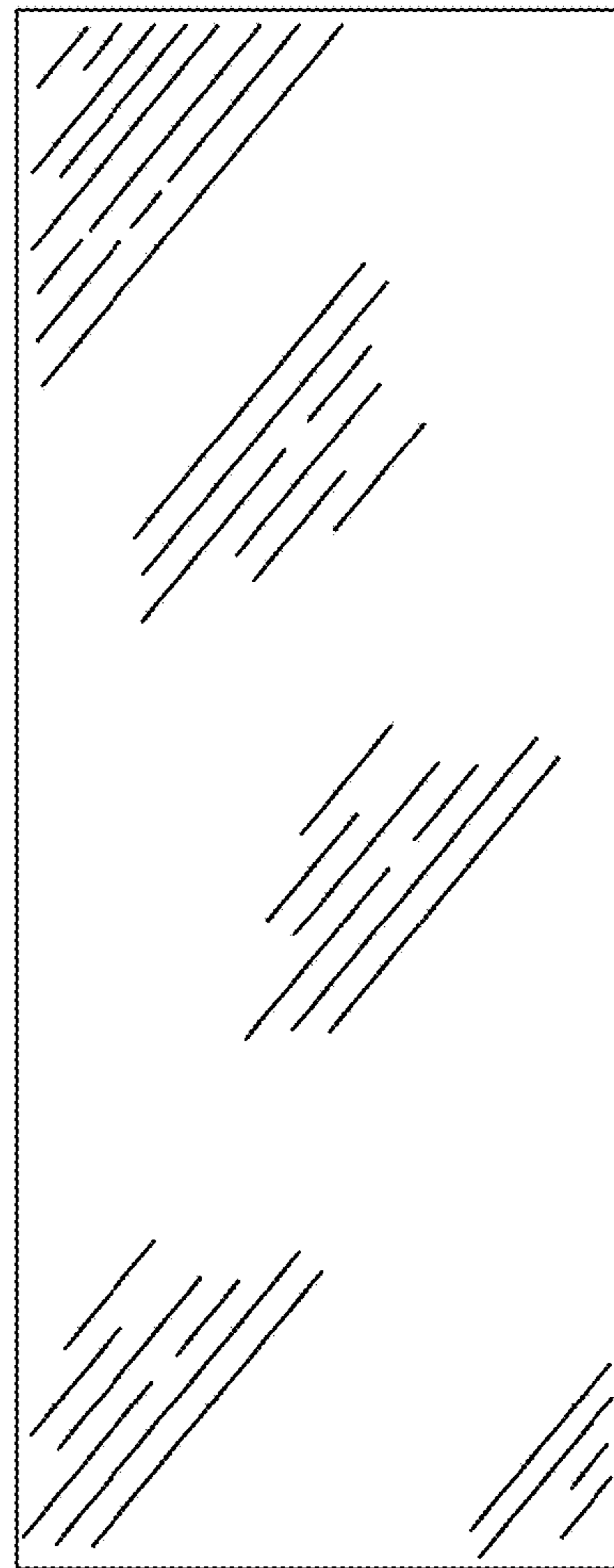


FIG. 10

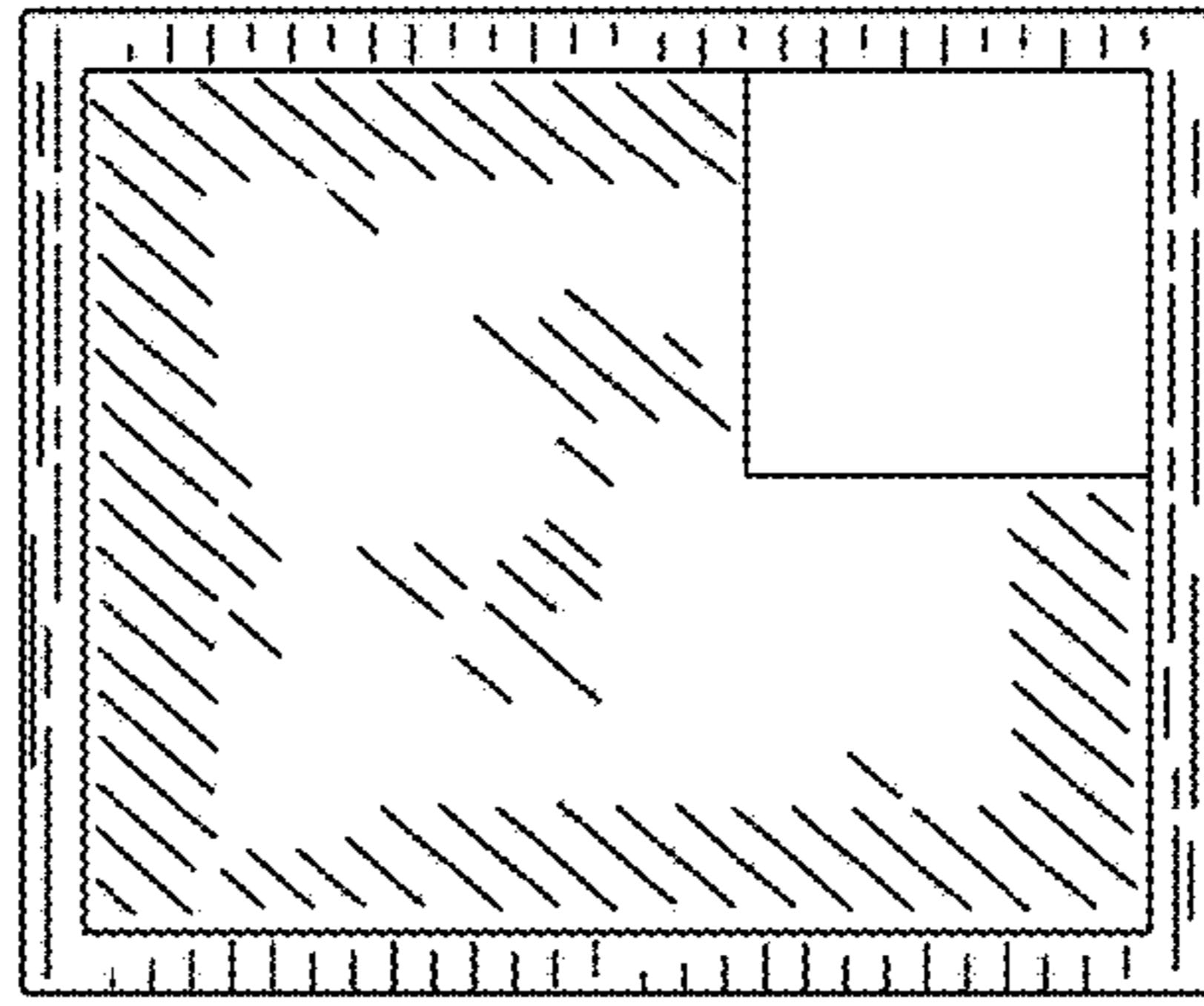


FIG. 11

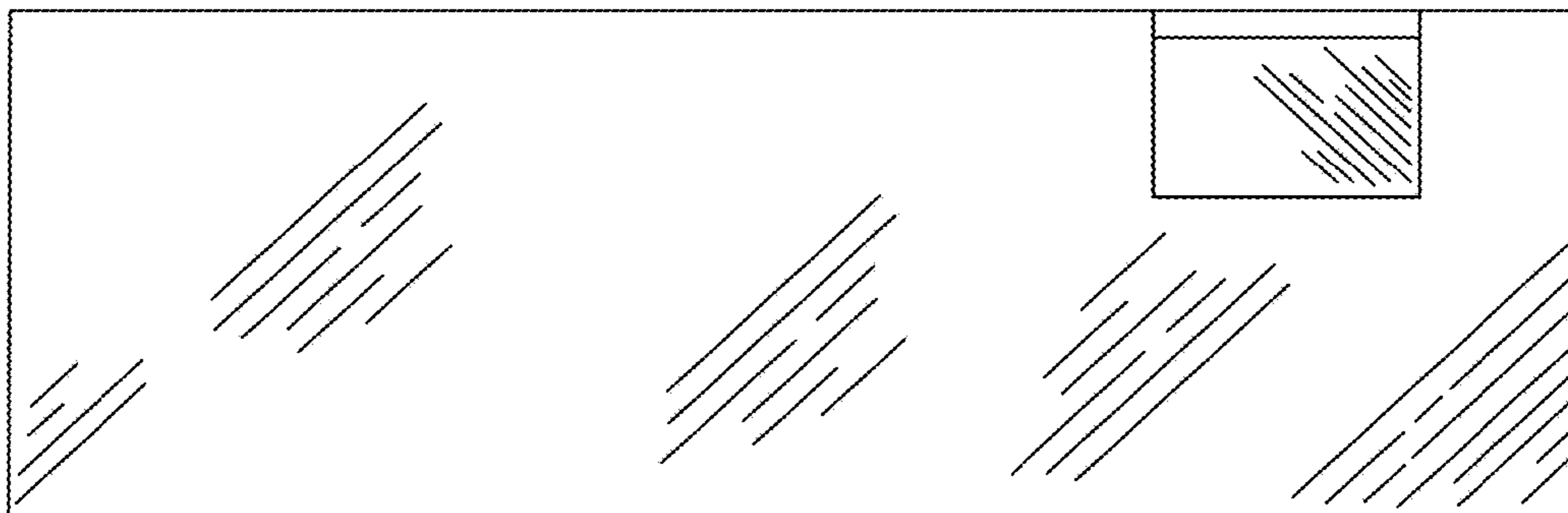


FIG. 12

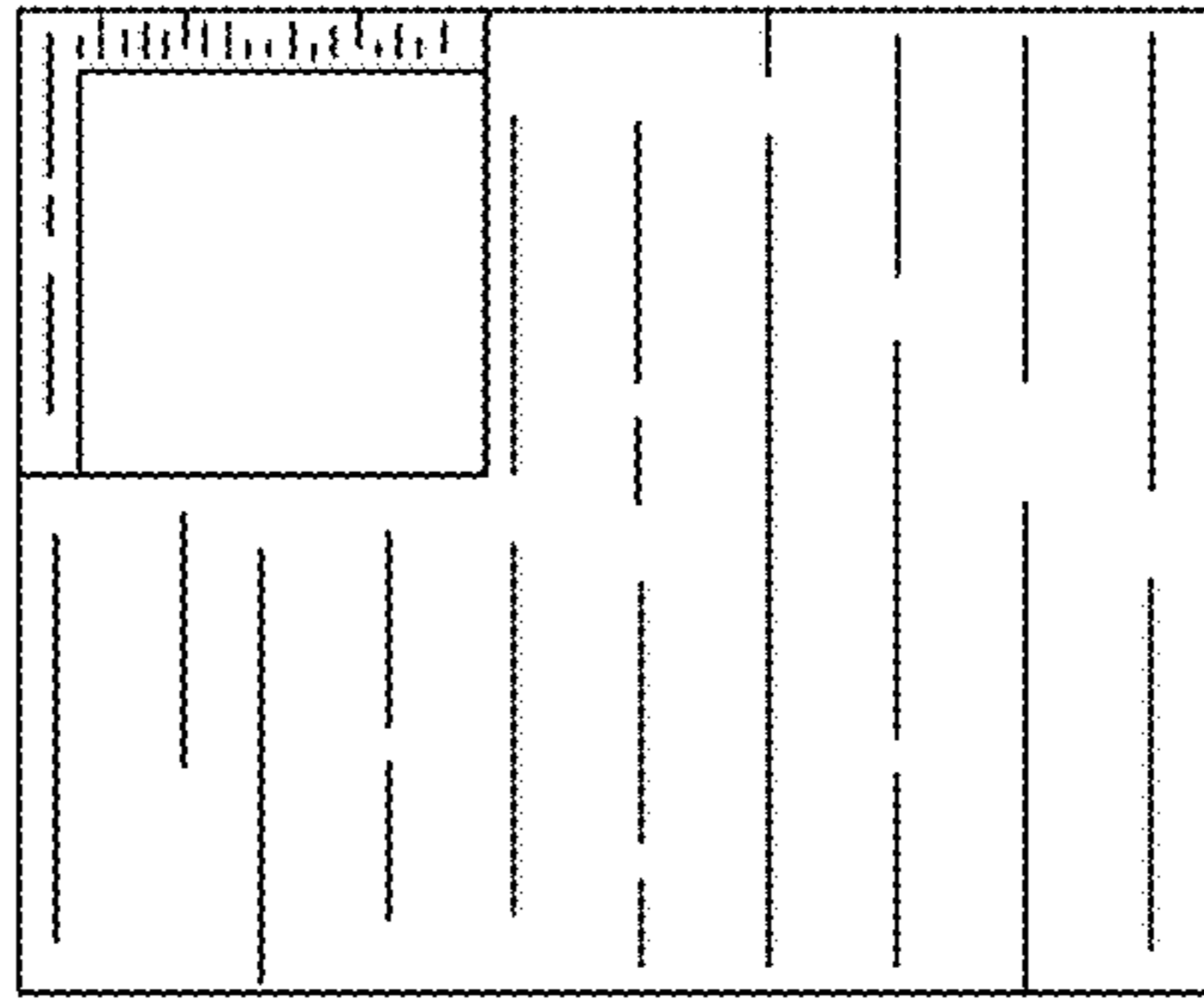


FIG. 13

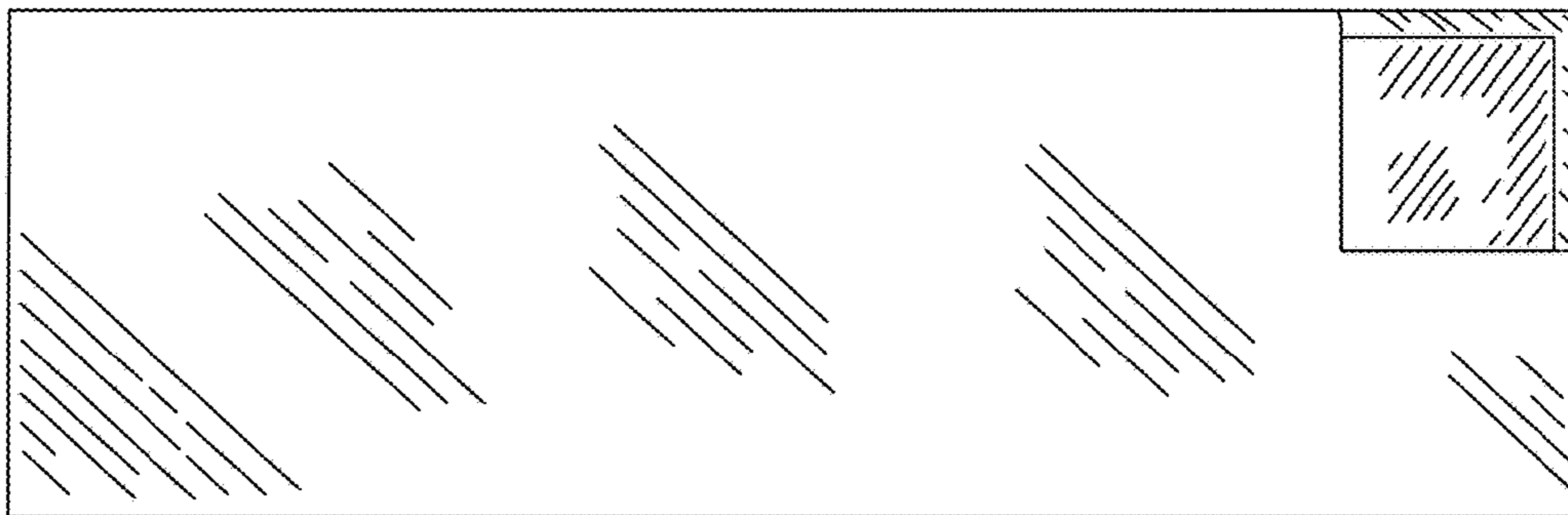


FIG. 14