



US00D834407S

(12) **United States Design Patent**  
**Miller**

(10) **Patent No.:** **US D834,407 S**

(45) **Date of Patent:** **\*\* Nov. 27, 2018**

(54) **BOW TIE BOX**

(71) Applicant: **PVH Corp.**, New York, NY (US)  
(72) Inventor: **Douglas Michael Miller**, Long Beach, CA (US)  
(73) Assignee: **PVH CORP.**, New York, NY (US)  
(\*\*) Term: **15 Years**

(21) Appl. No.: **29/596,439**

(22) Filed: **Mar. 8, 2017**

(51) **LOC (11) Cl.** ..... **09-03**

(52) **U.S. Cl.**  
USPC ..... **D9/414**

(58) **Field of Classification Search**  
USPC ..... D9/414-418, 420, 430, 432-433, 441,  
D9/521, 424-425, 635, 451, 501, 504,  
(Continued)

(56) **References Cited**

U.S. PATENT DOCUMENTS

D346,960 S 5/1994 Bennett ..... D9/418  
5,361,413 A \* 11/1994 Schaefer ..... A41D 25/022  
2/144

(Continued)

*Primary Examiner* — Barbara Fox

*Assistant Examiner* — Mehri F Bajoul

(74) *Attorney, Agent, or Firm* — Fitzpatrick, Cella,  
Harper & Scinto

(57) **CLAIM**

The ornamental design for a bow tie box, as shown and described.

**DESCRIPTION**

FIG. 1 is a perspective view of a bow tie box showing a first embodiment of the new design in a fully dosed position;

FIG. 2 is a perspective view thereof in a partially open position;

FIG. 3 is a perspective view thereof in a fully open position;

FIG. 4 is a top plan view thereof in the fully closed position;

FIG. 5 is a top plan view thereof in the fully open position;

FIG. 6 is a front side elevational view thereof in the fully closed position;

FIG. 7 is a front side elevational view showing just the inside of the cover thereof;

FIG. 8 is a left side elevational view thereof, the opposite side being a mirror image;

FIG. 9 is a rear elevational view thereof;

FIG. 10 is a bottom plan view thereof;

FIG. 11 is a perspective view of the bow tie box showing a second embodiment of the new design in a closed position;

FIG. 12 is a perspective view thereof in a partially open position;

FIG. 13 is a perspective view thereof in a fully open position;

FIG. 14 is a top plan view thereof in the fully closed position;

FIG. 15 is a top plan view thereof in the fully open position;

FIG. 16 is a front side elevational view thereof in the fully closed position;

FIG. 17 is a front side elevational view showing just the inside of the cover thereof;

FIG. 18 is a left side elevational view thereof, the opposite side being a mirror image;

FIG. 19 is a rear elevational view thereof;

FIG. 20 is a bottom plan view thereof;

FIG. 21 is a perspective view of the bow tie box showing a third embodiment of the new design in a fully closed position;

FIG. 22 is a perspective view thereof in a partially open position;

FIG. 23 is a perspective view thereof in a fully open position;

FIG. 24 is a top plan view thereof in the fully closed position;

FIG. 25 is a top plan view thereof in the fully open position;

FIG. 26 is a front side elevational view thereof in the fully closed position;

(Continued)

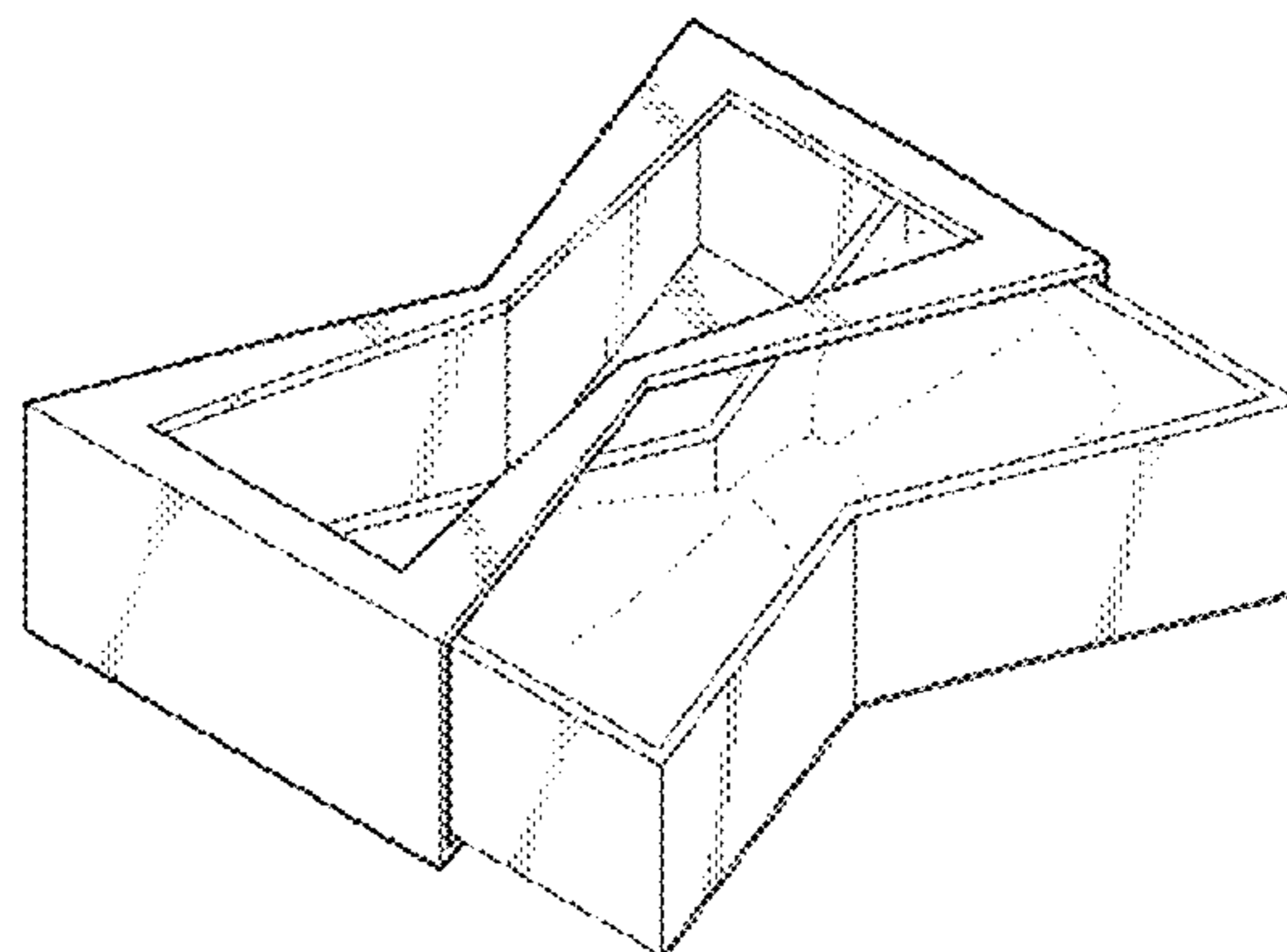
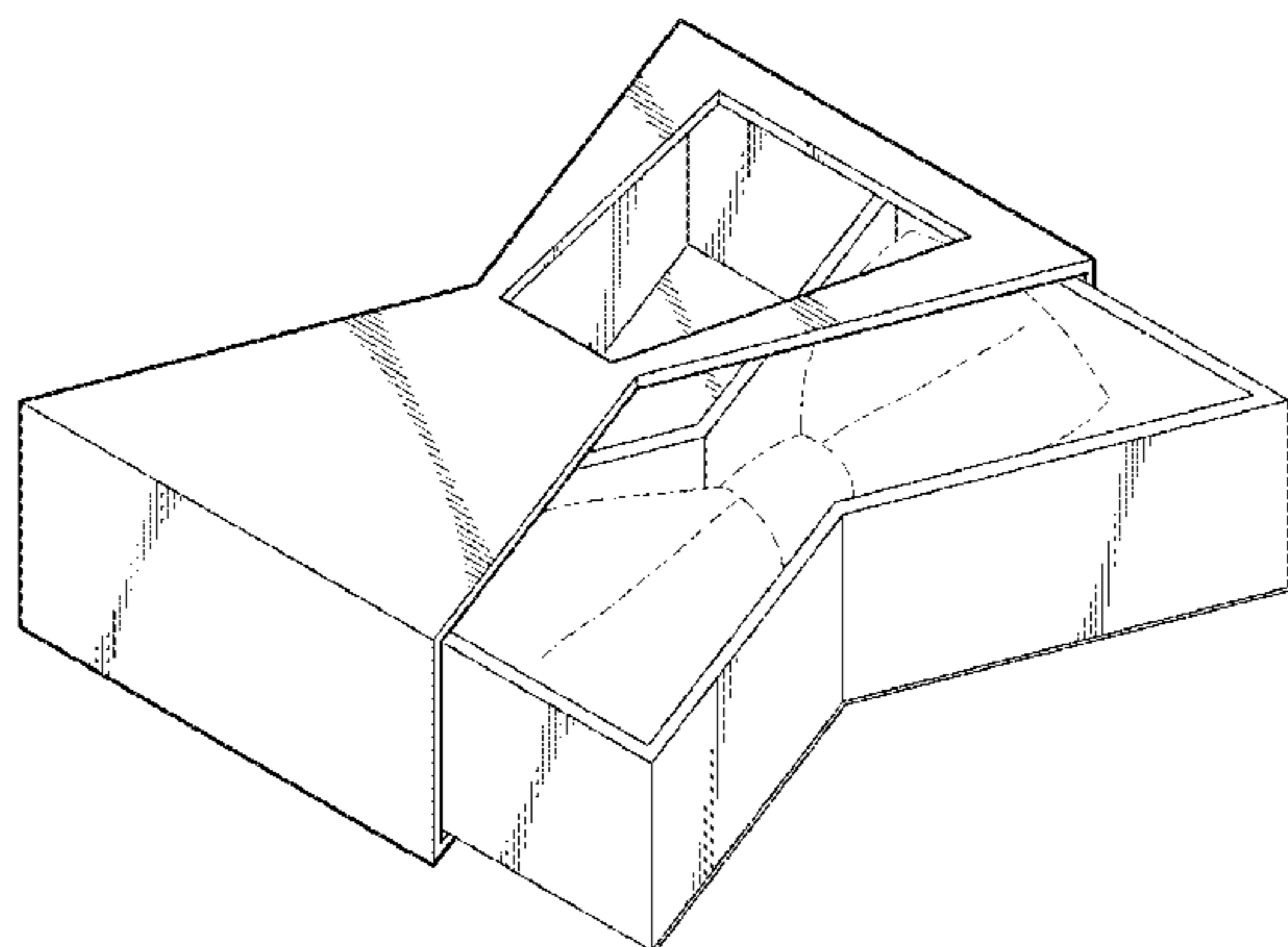


FIG. 27 is a front side elevational view showing just the inside of the cover thereof;  
 FIG. 28 is a left side elevational view thereof, the opposite side being a mirror image;  
 FIG. 29 is a rear elevational view thereof;  
 FIG. 30 is a bottom plan view thereof;  
 FIG. 31 is a perspective view of the bow tee box showing a fourth embodiment of the new design in a fully closed position;  
 FIG. 32 is a perspective view thereof in a partially open position;  
 FIG. 33 is a perspective view thereof in a fully open position;  
 FIG. 34 is a top plan view thereof in the fully closed position;  
 FIG. 35 is a top plan view thereof in the fully open position;  
 FIG. 36 is a front side elevational view thereof in the fully closed position;  
 FIG. 37 is a front side elevational view showing just the inside of the cover thereof;  
 FIG. 38 is a left side elevational view thereof, the opposite side being a mirror image;  
 FIG. 39 is a rear elevational view thereof; and,  
 FIG. 40 is a bottom plan view thereof.  
 The broken lines showing a bow tie depict environmental subject matter and form no part of the claimed design.

**1 Claim, 20 Drawing Sheets**

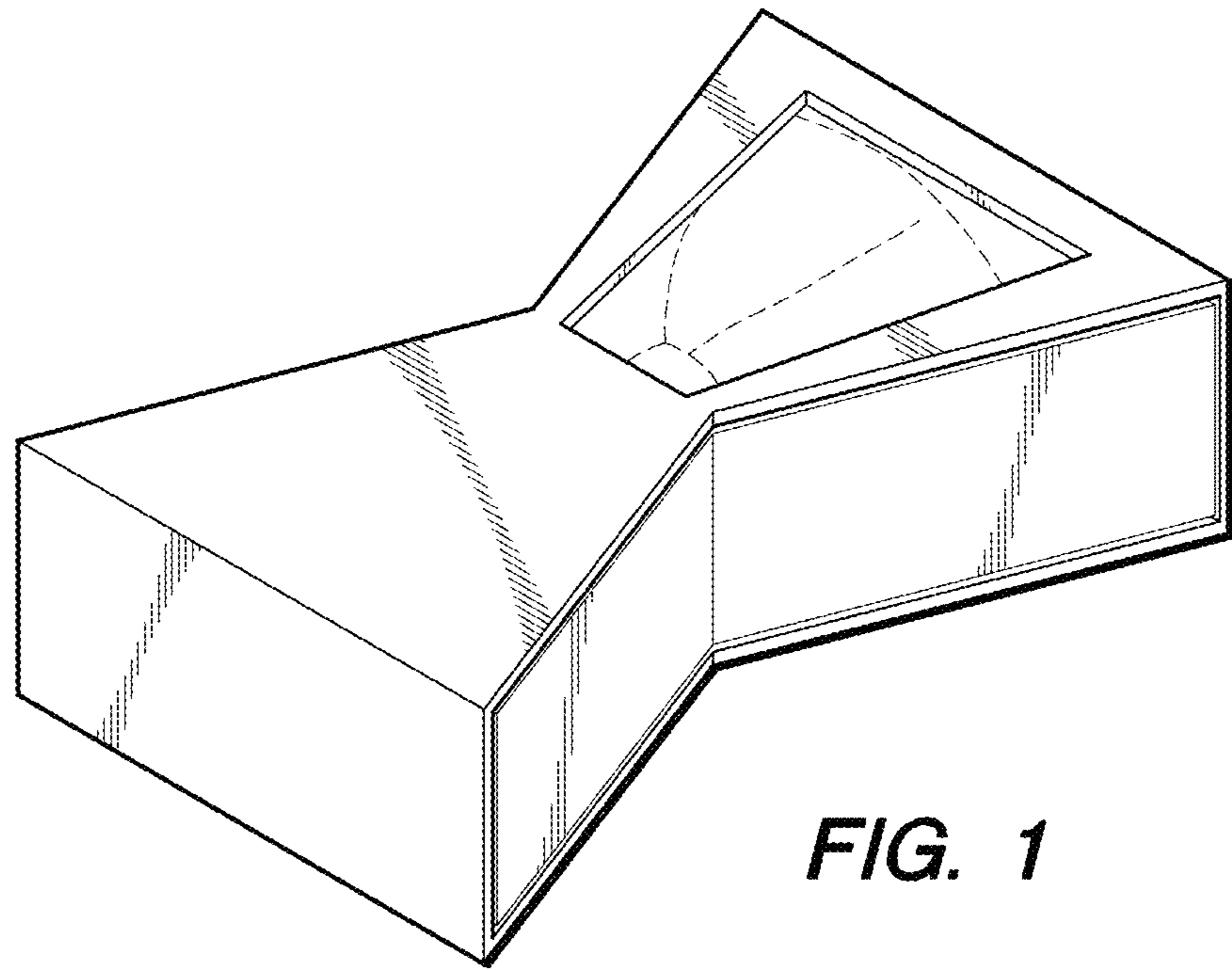
(58) **Field of Classification Search**  
 USPC ..... D9/531, 533–554, 564–575, 686–699,  
 D9/701–702, 710–711, 722–723, 736,  
 D9/740, 752, 755–756; D2/606, 710,  
 D2/730, 762, 767, 787, 792, 795, 813,  
 D2/821; D11/202, 74; D3/278, 293,  
 D3/318; D28/29  
 CPC ..... B65D 75/36; B65D 43/161; B65D 17/12;  
 A45D 2040/0025–2040/0062  
 See application file for complete search history.

(56) **References Cited**

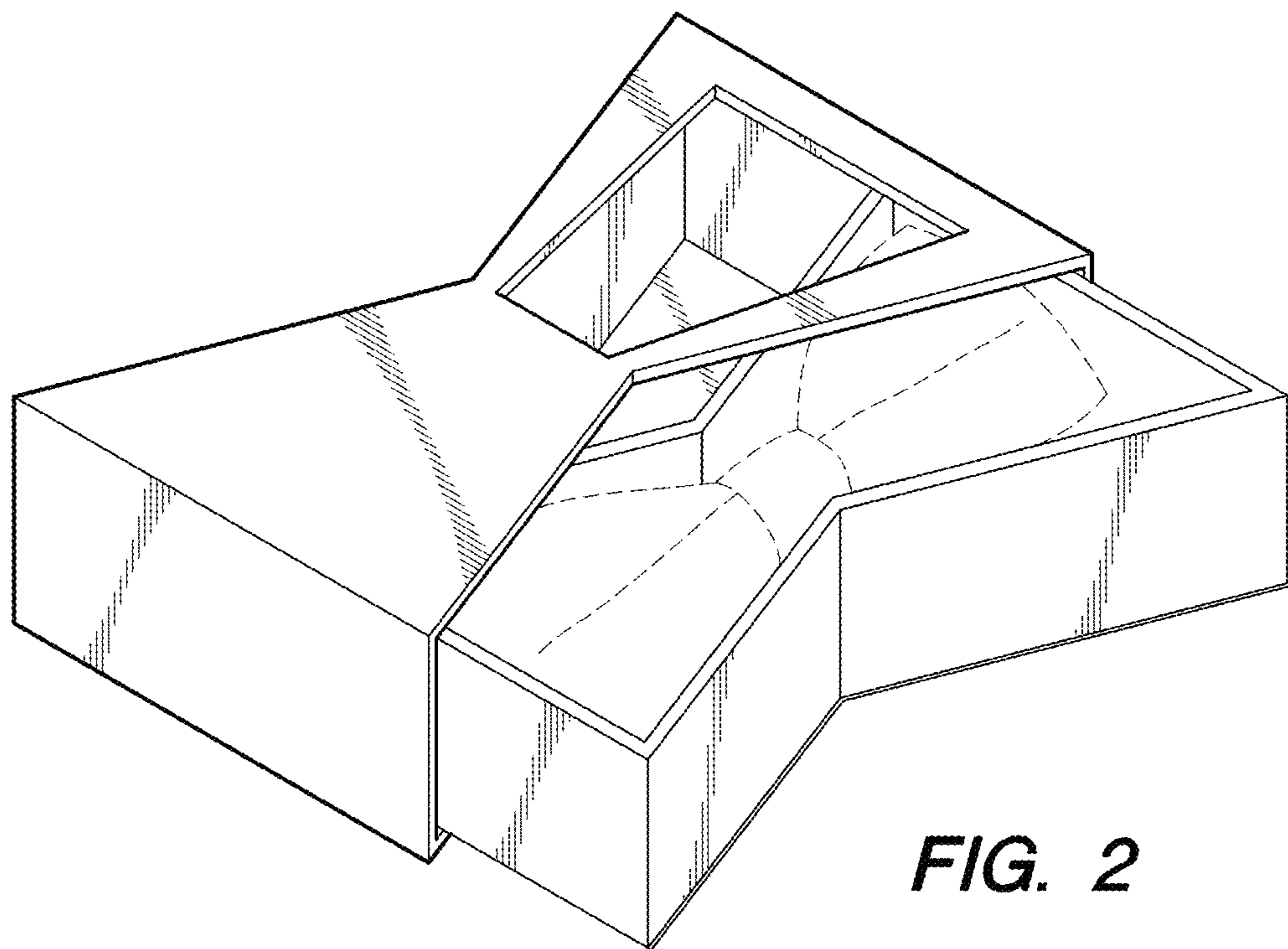
U.S. PATENT DOCUMENTS

D368,572	S	*	4/1996	Pon	.....	D2/606
D392,433	S	*	3/1998	Norris	.....	D32/40
D534,333	S	*	1/2007	Jones	.....	D2/606
D535,055	S	*	1/2007	Been	.....	D2/606
D549,573	S	*	8/2007	Liebe et al.	.....	D9/420
D554,401	S	*	11/2007	Kim	.....	D6/703
7,311,196	B2		12/2007	Kim	.....	206/278
D598,635	S	*	8/2009	Geoffrion	.....	D1/127
D615,402	S	*	5/2010	Doster	.....	D20/22
D622,142	S	*	8/2010	de France	.....	D9/441
D670,941	S	*	11/2012	Vernon	.....	D6/716.4
8,365,914	B2		2/2013	Learn	.....	206/497
D727,164	S	*	4/2015	Staab	.....	D9/635
D759,315	S	*	6/2016	Mather	.....	D28/87
D760,961	S	*	7/2016	Turner	.....	D28/79
D762,352	S	*	8/2016	Shelby	.....	D2/895
D770,723	S	*	11/2016	Marable	.....	D2/606
D777,580	S	*	1/2017	Lloyd	.....	D9/451
D778,526	S	*	2/2017	Martin	.....	D1/125
D788,997	S	*	6/2017	Fore	.....	D30/145

\* cited by examiner

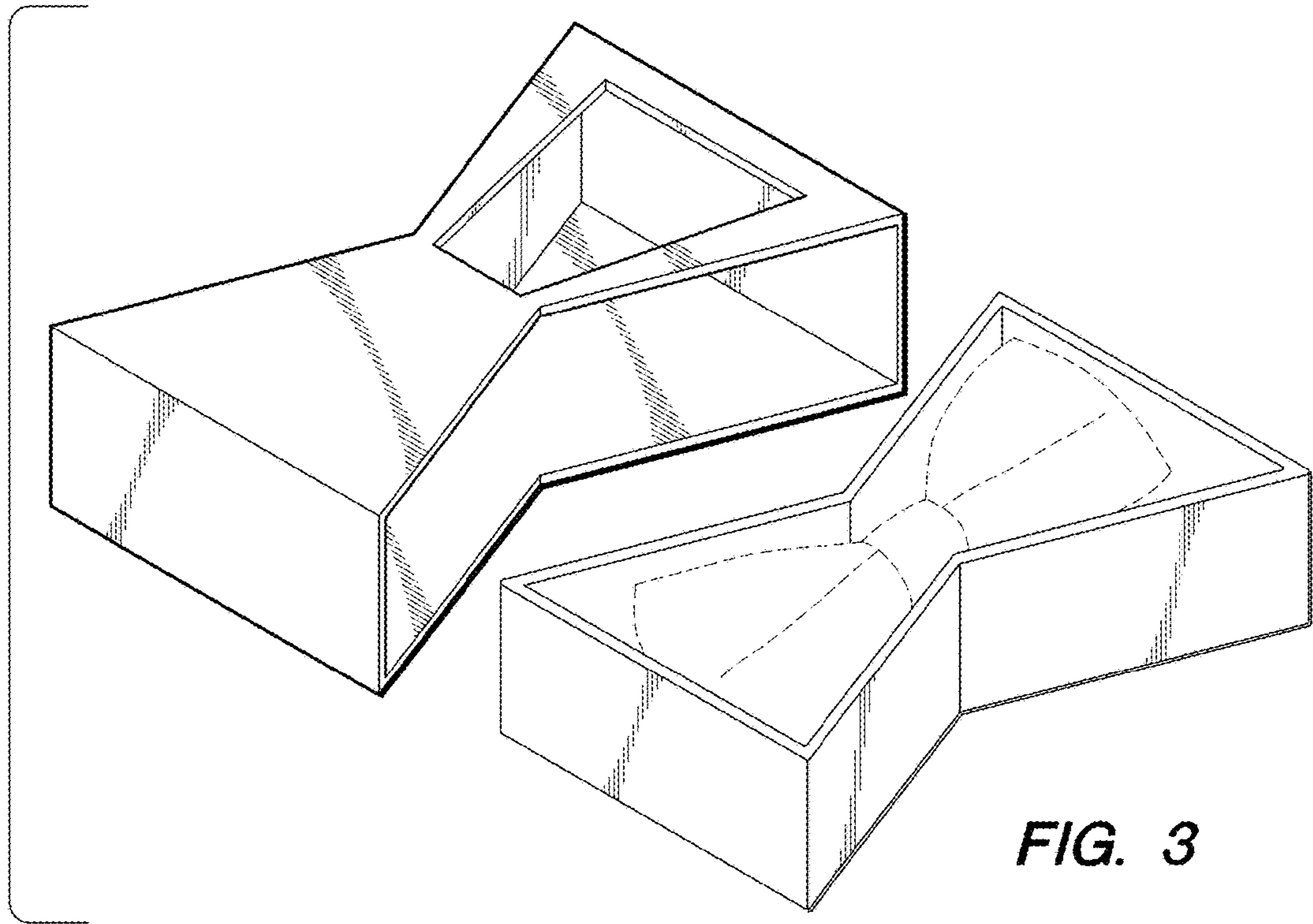


**FIG. 1**

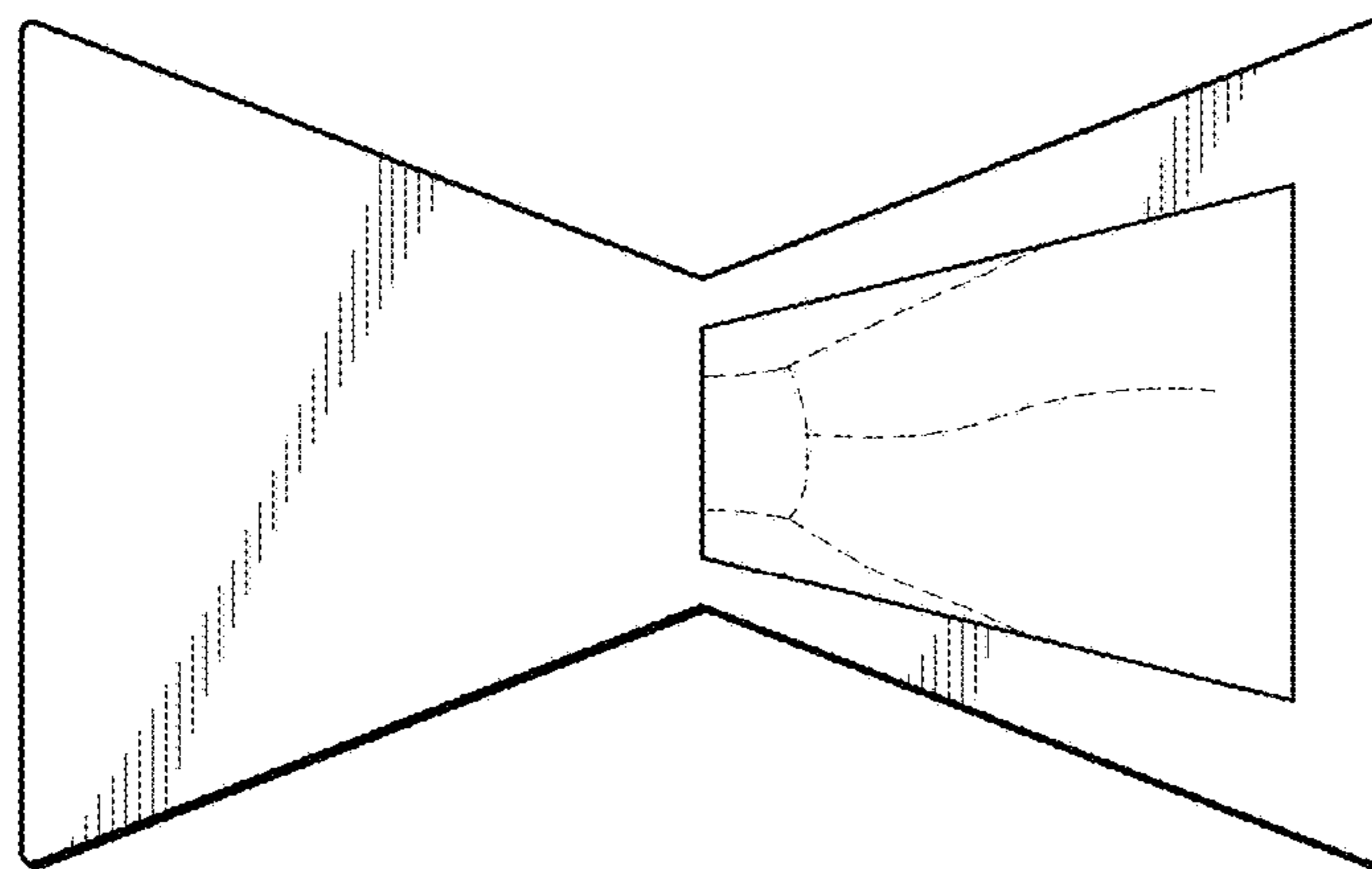


**FIG. 2**



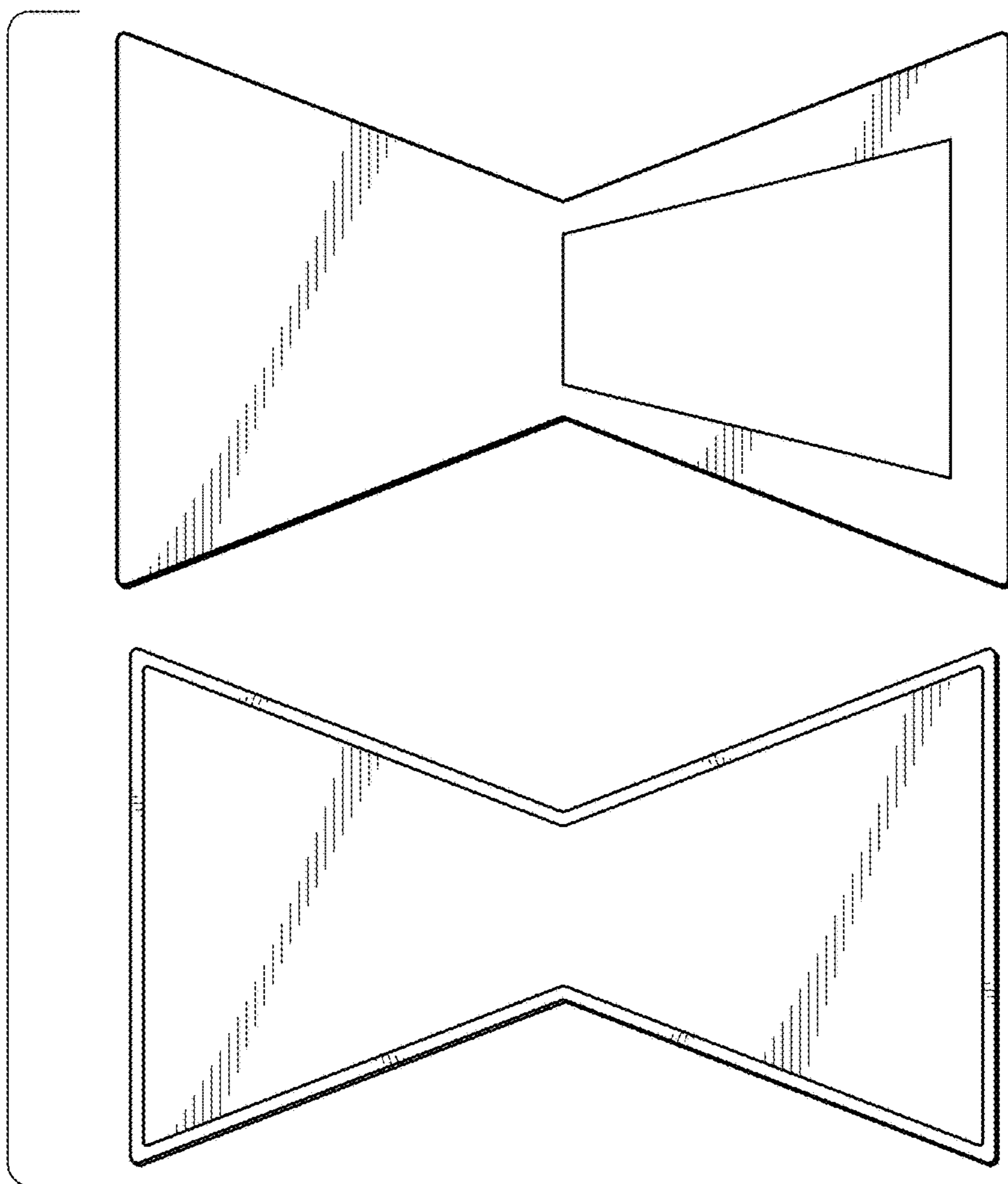


**FIG. 3**

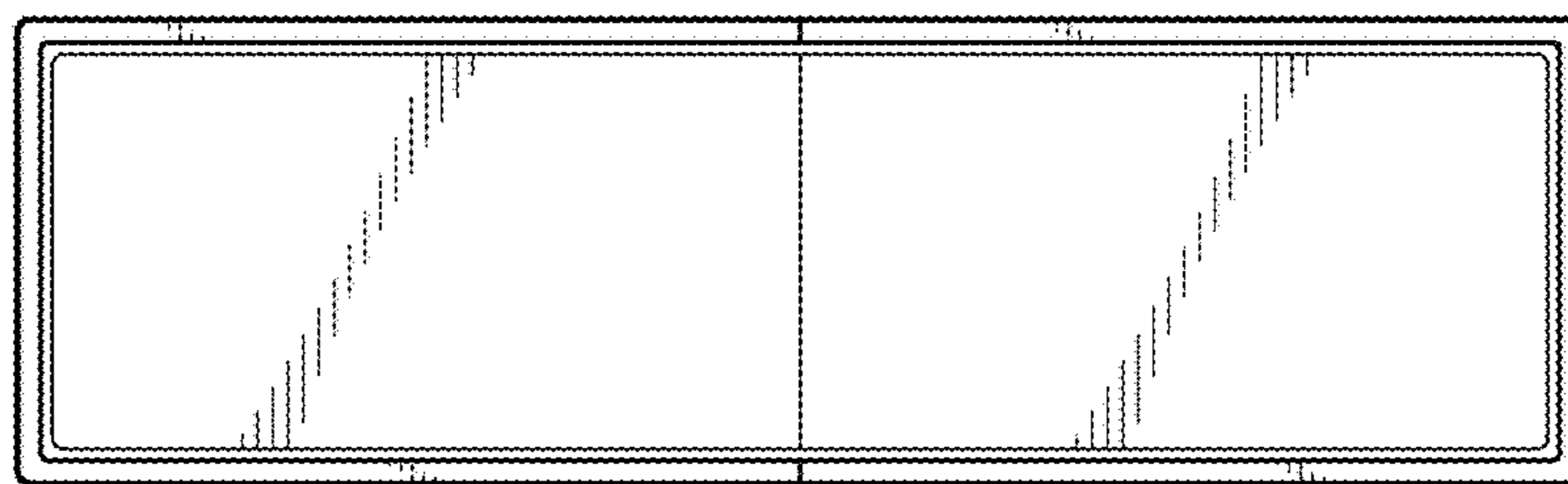


**FIG. 4**

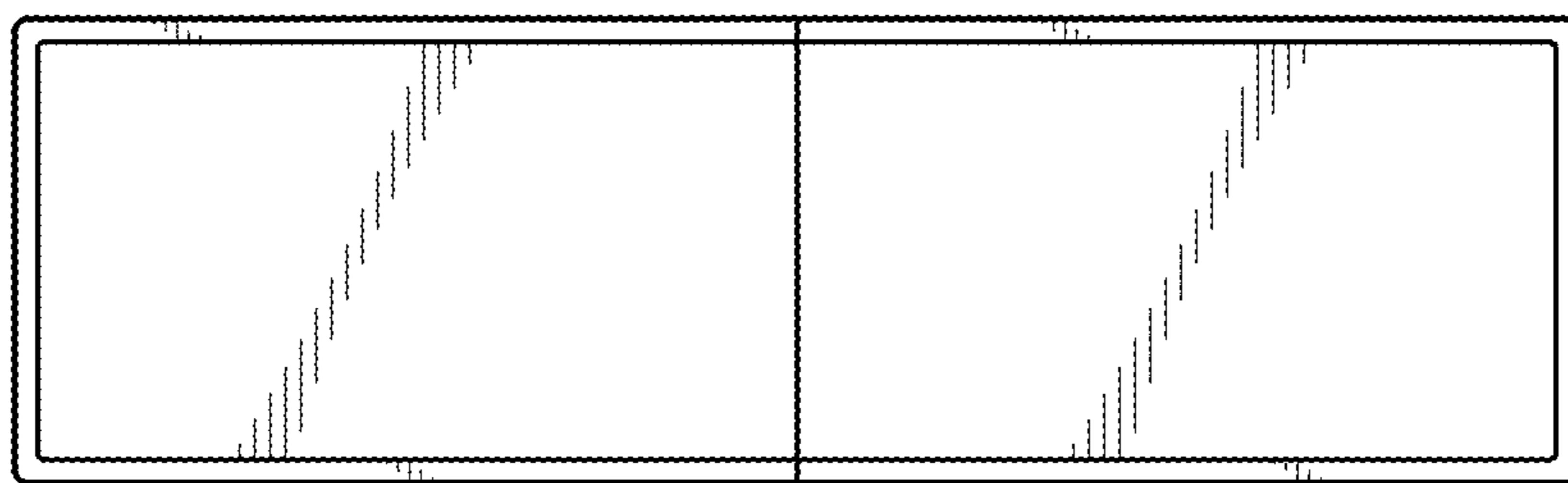
VIEW



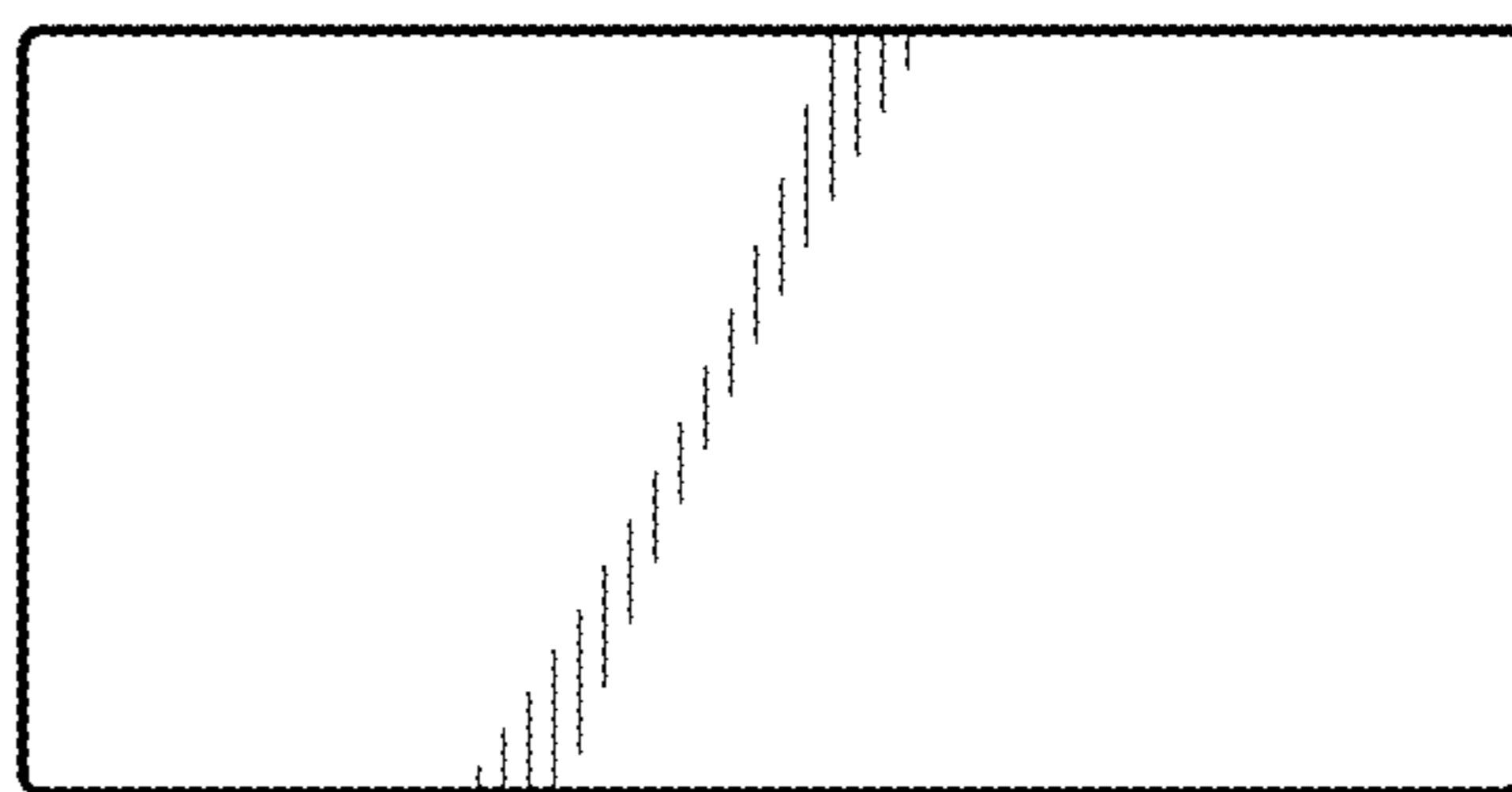
**FIG. 5**



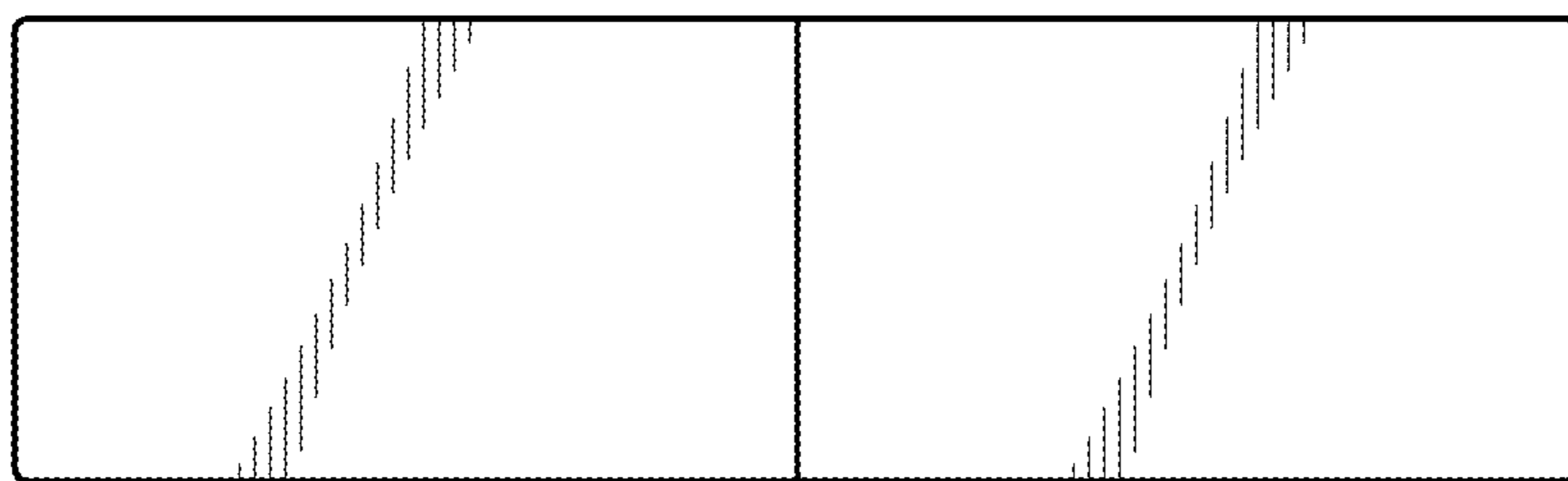
**FIG. 6**



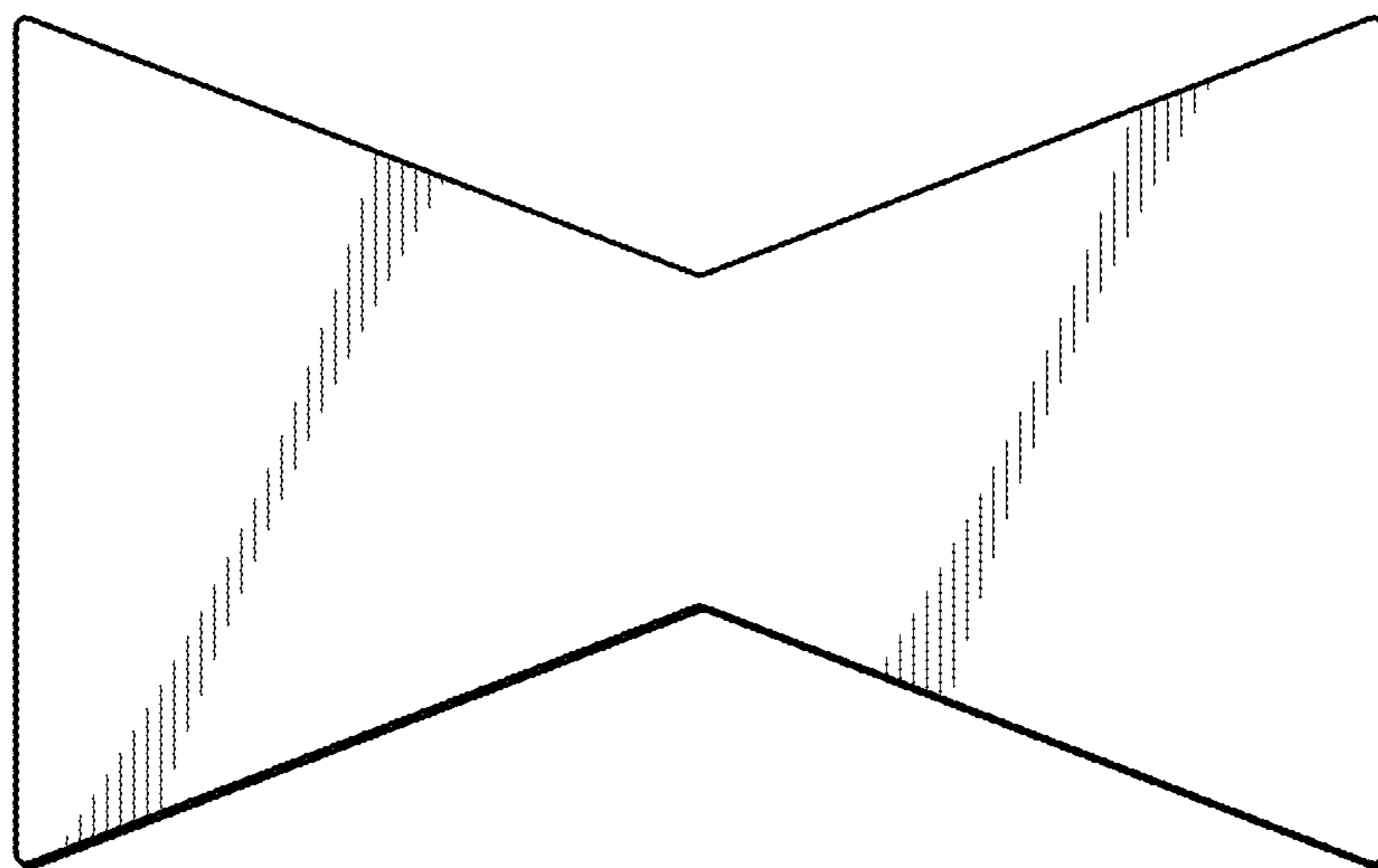
**FIG. 7**



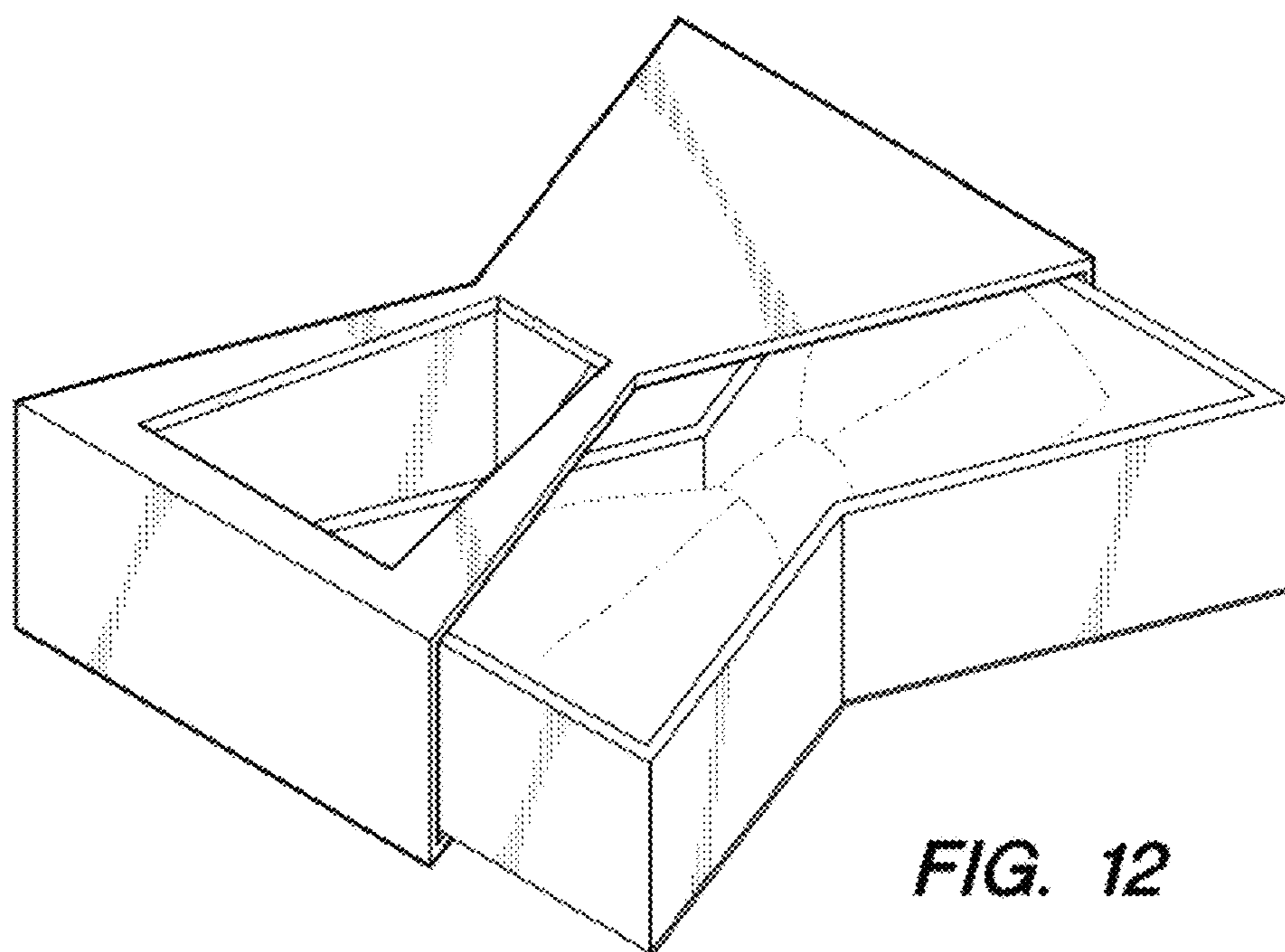
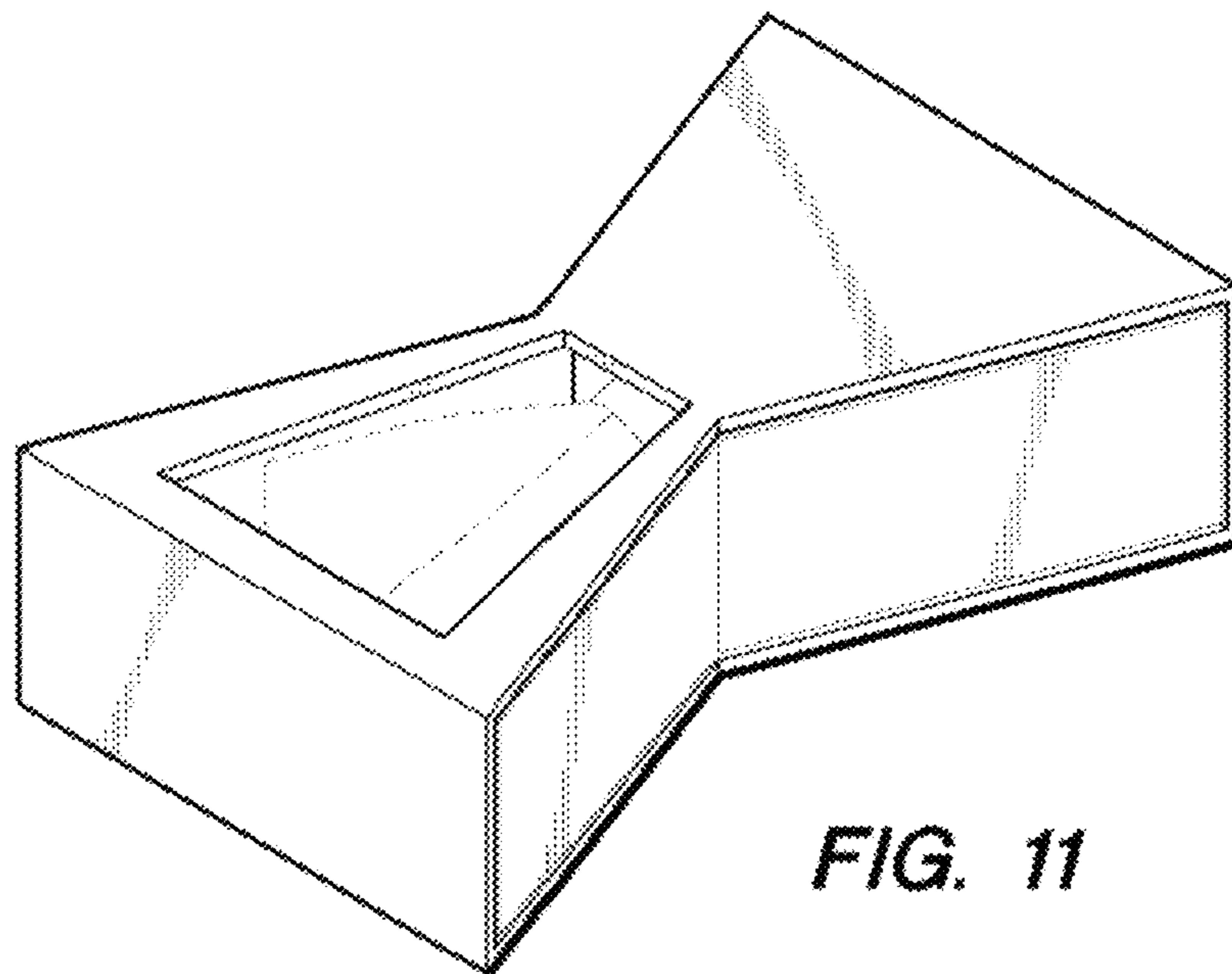
**FIG. 8**



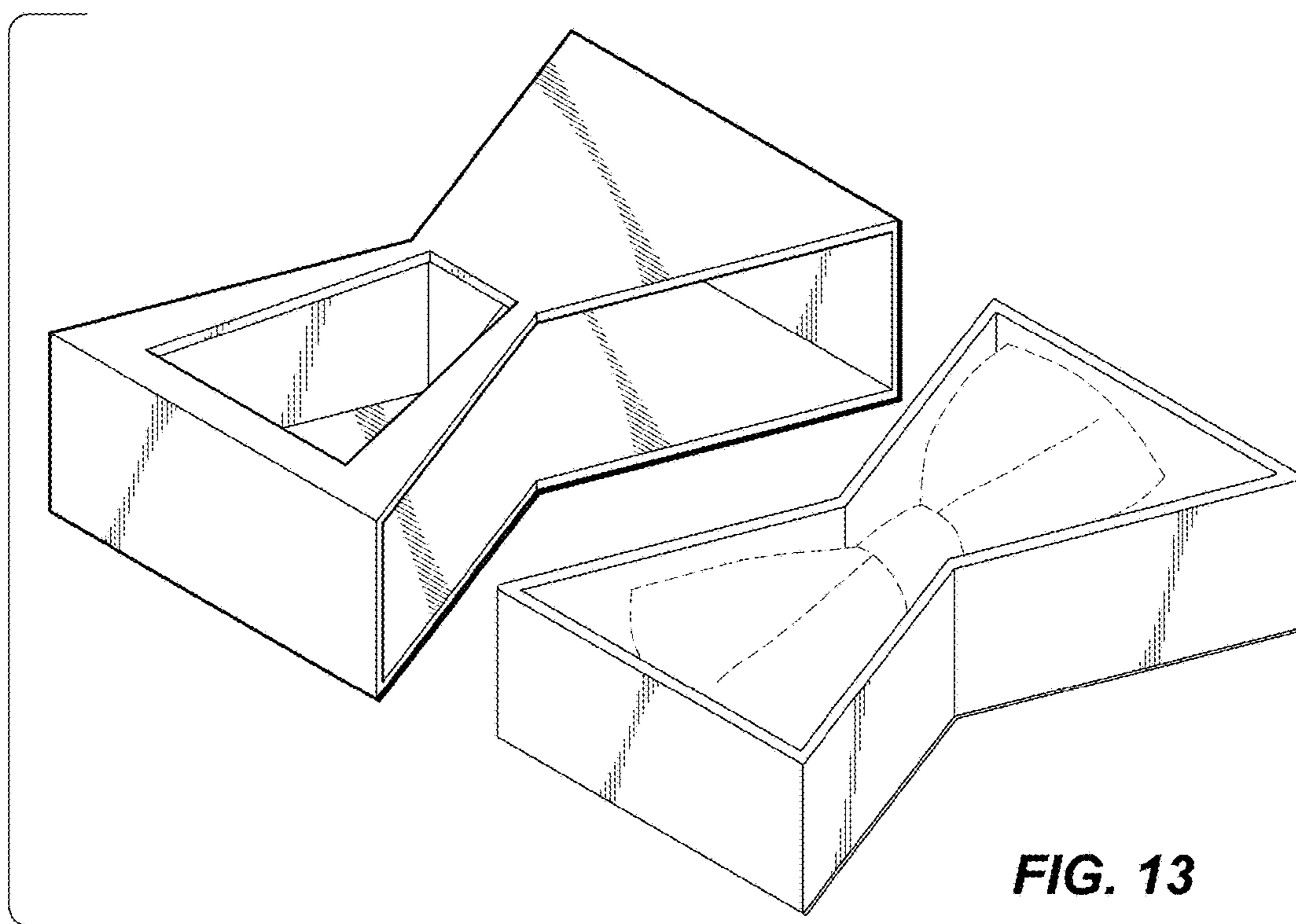
**FIG. 9**



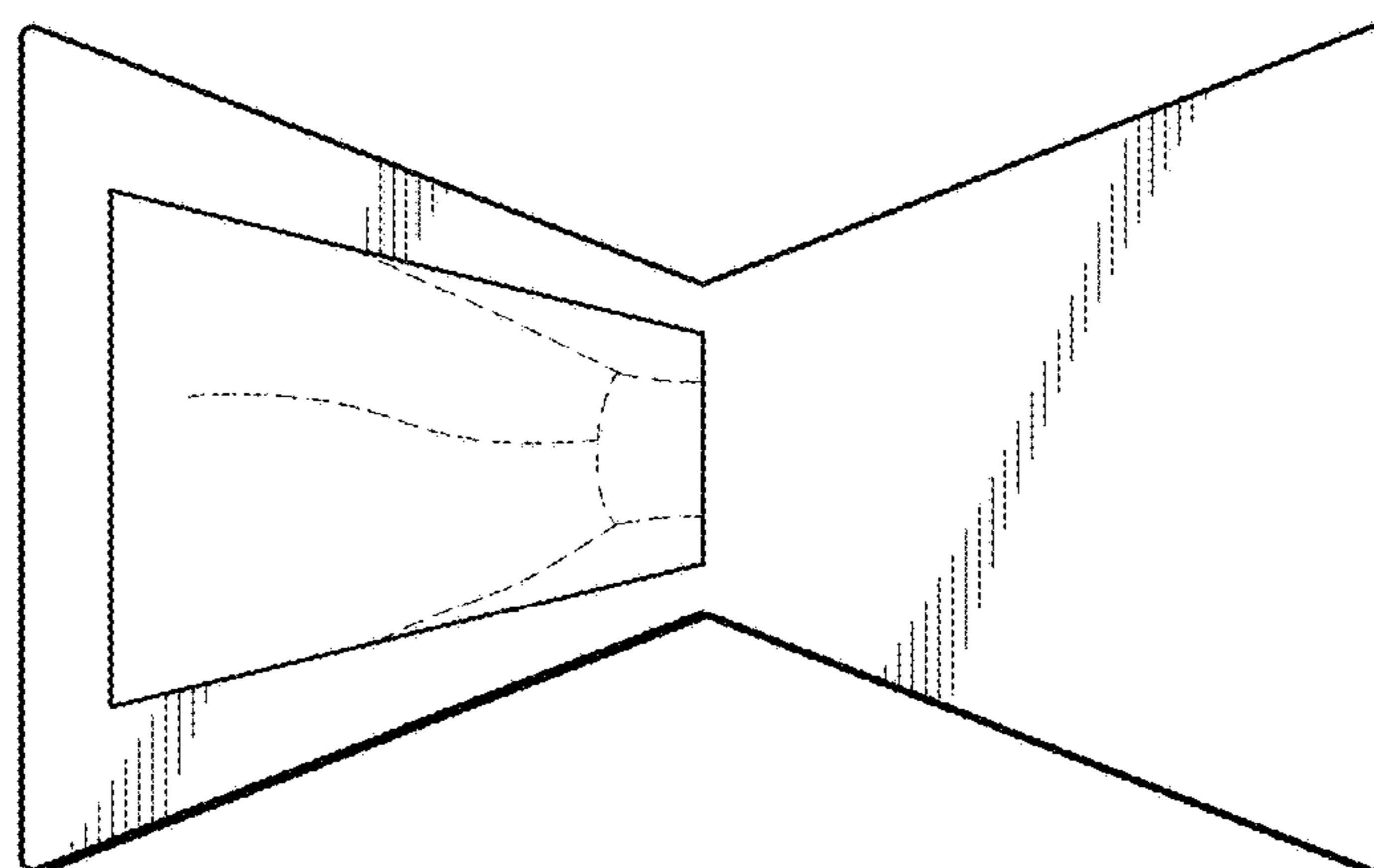
**FIG. 10**



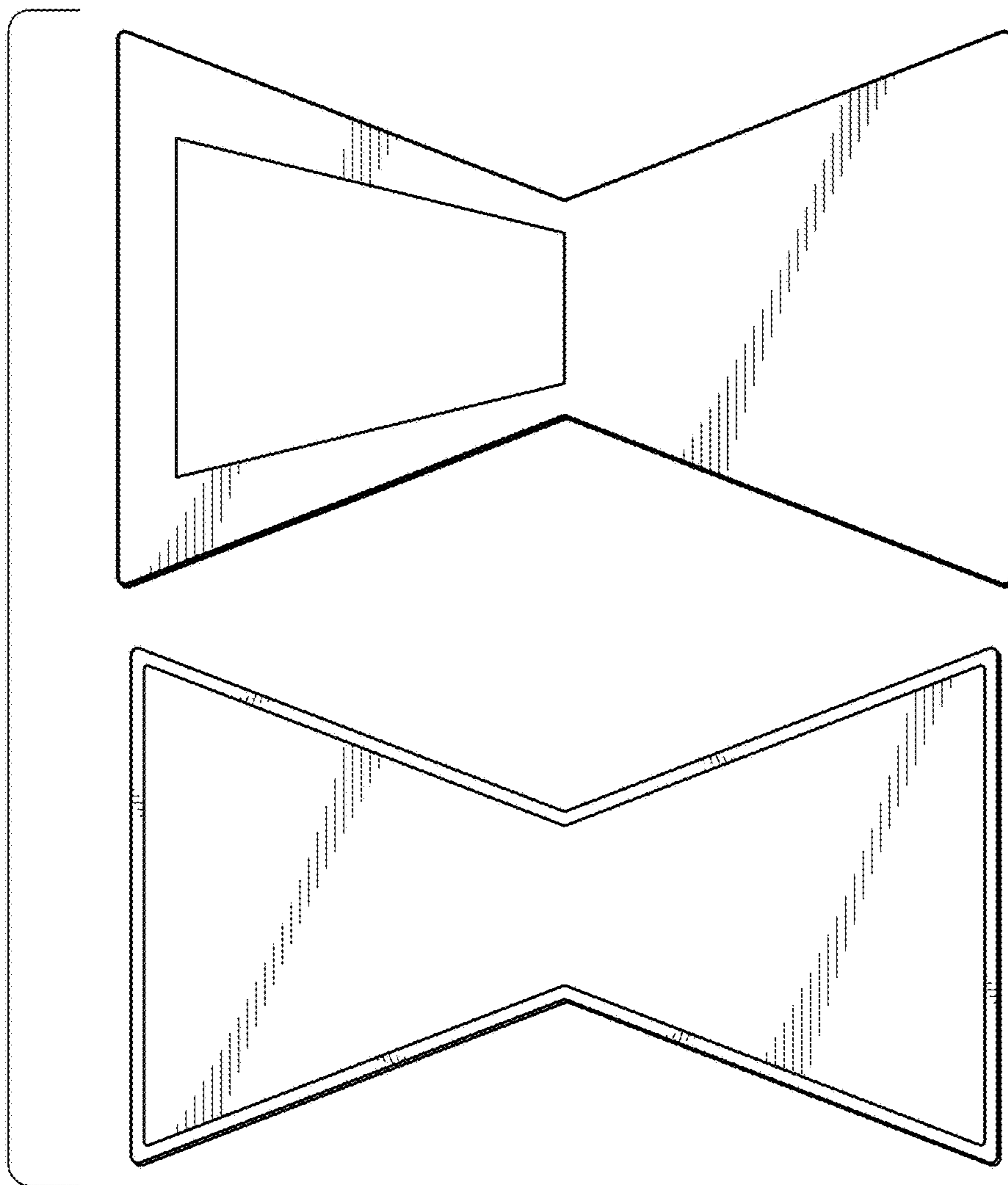




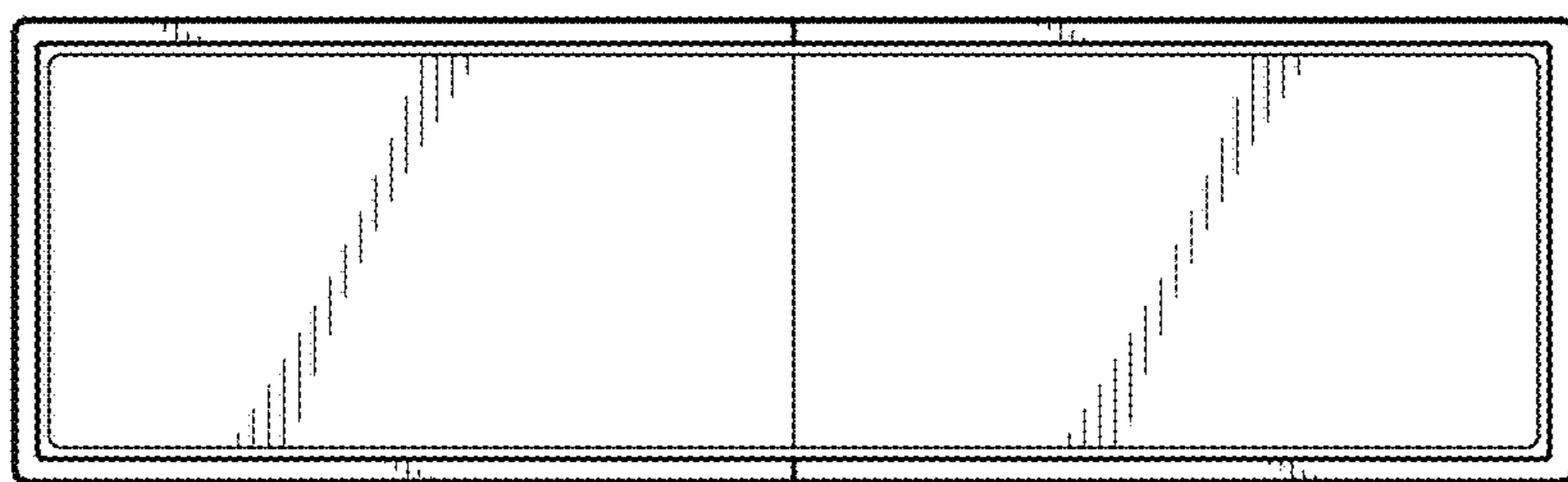
**FIG. 13**



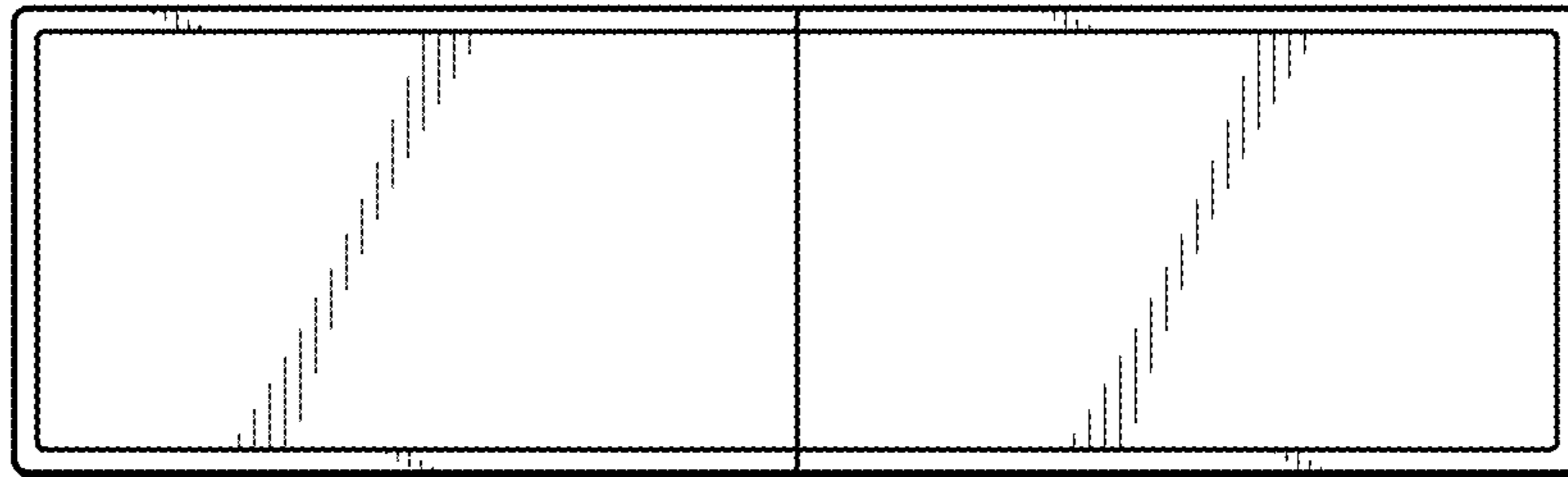
**FIG. 14**



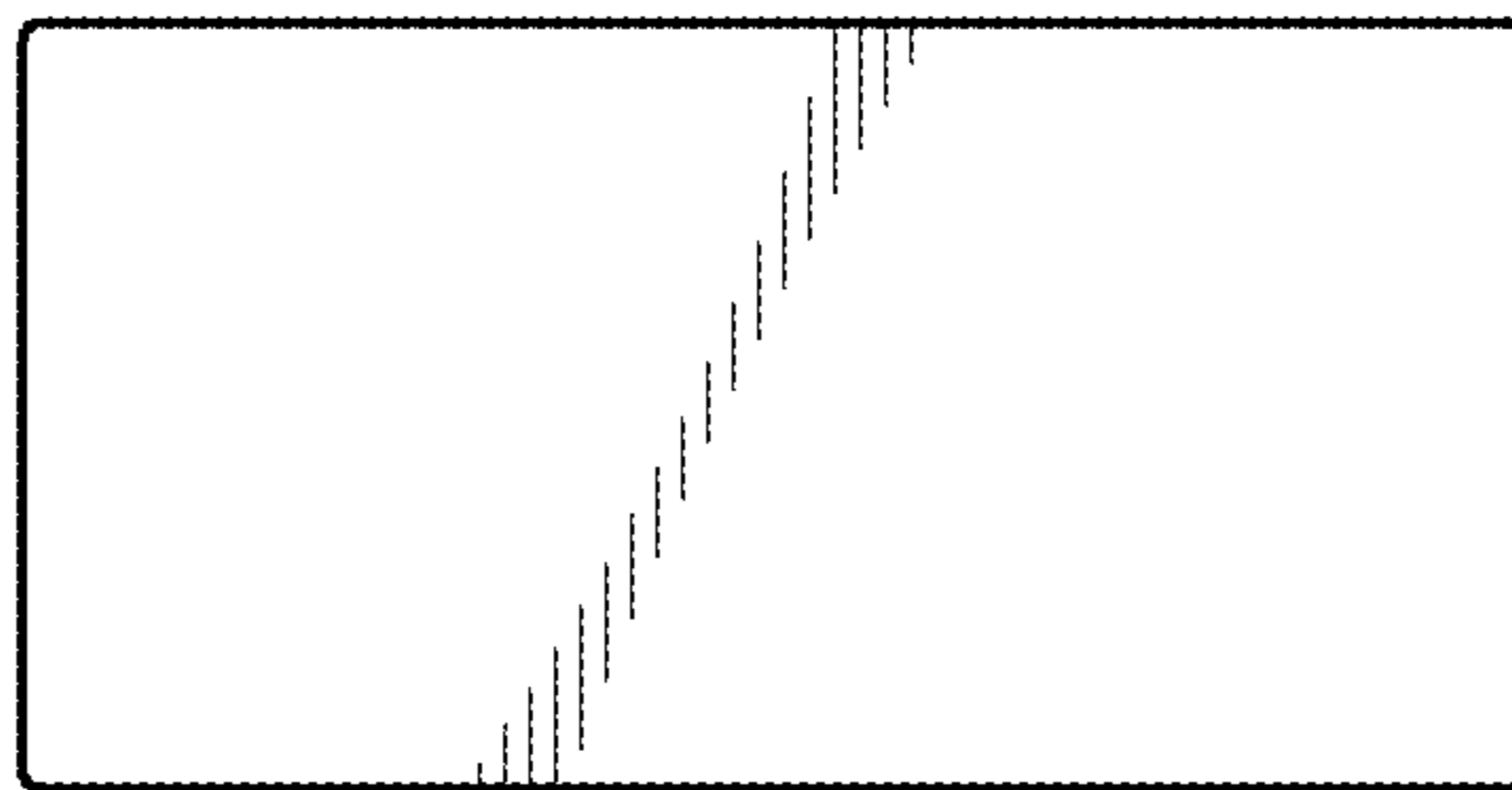
**FIG. 15**



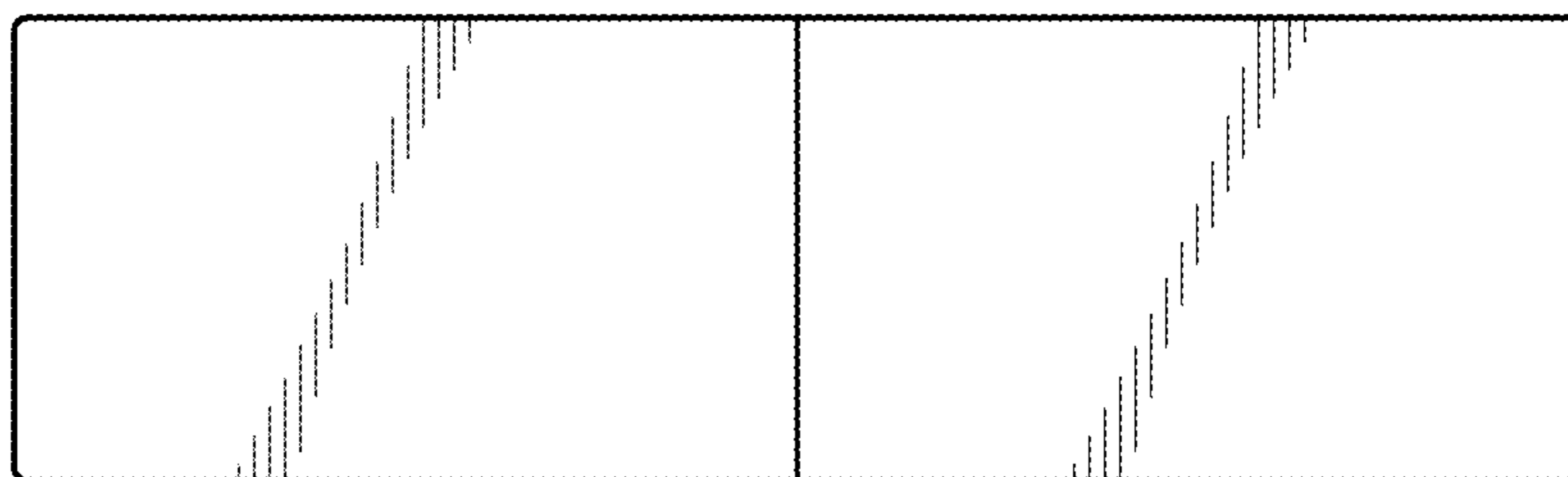
**FIG. 16**



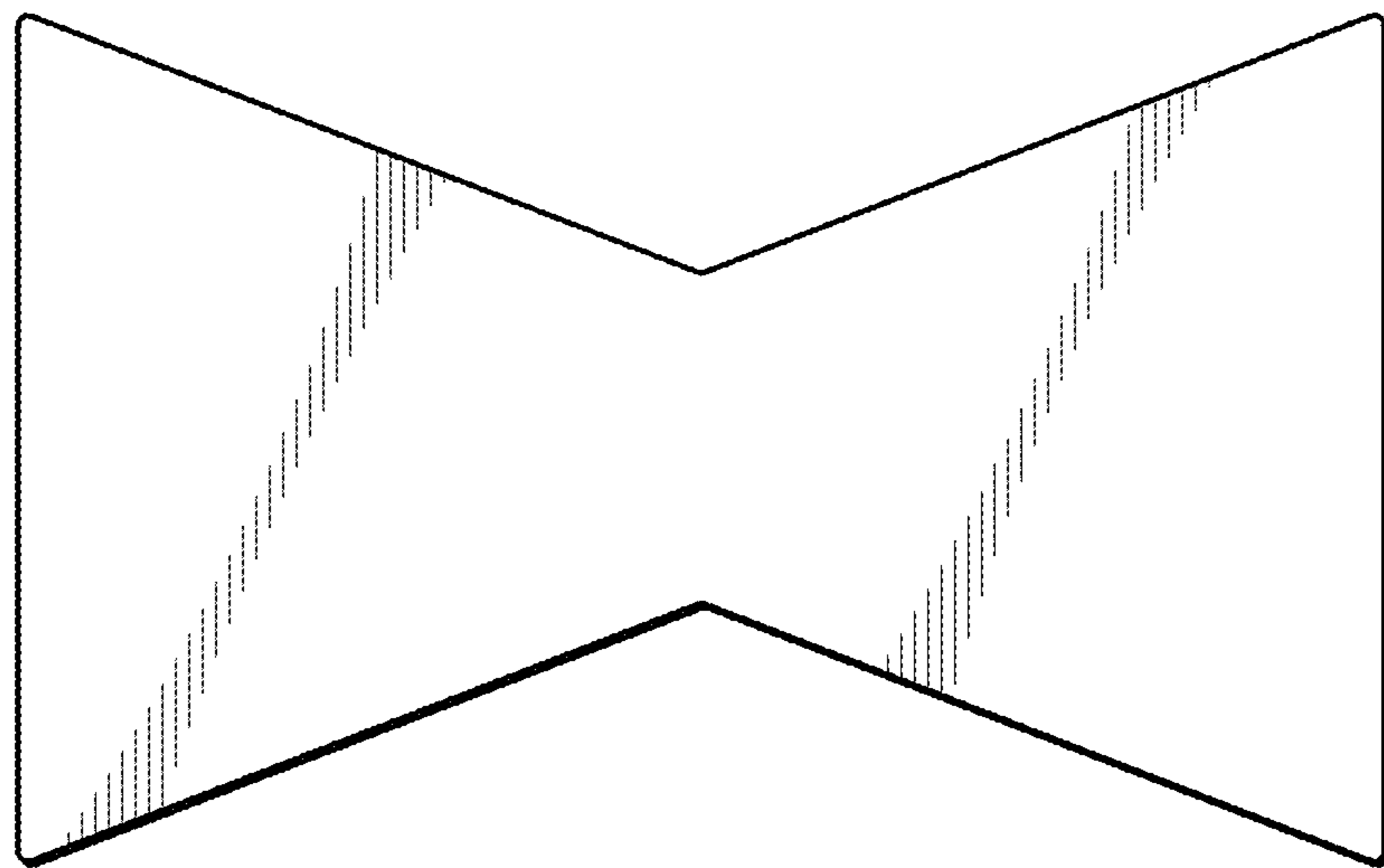
**FIG. 17**



**FIG. 18**

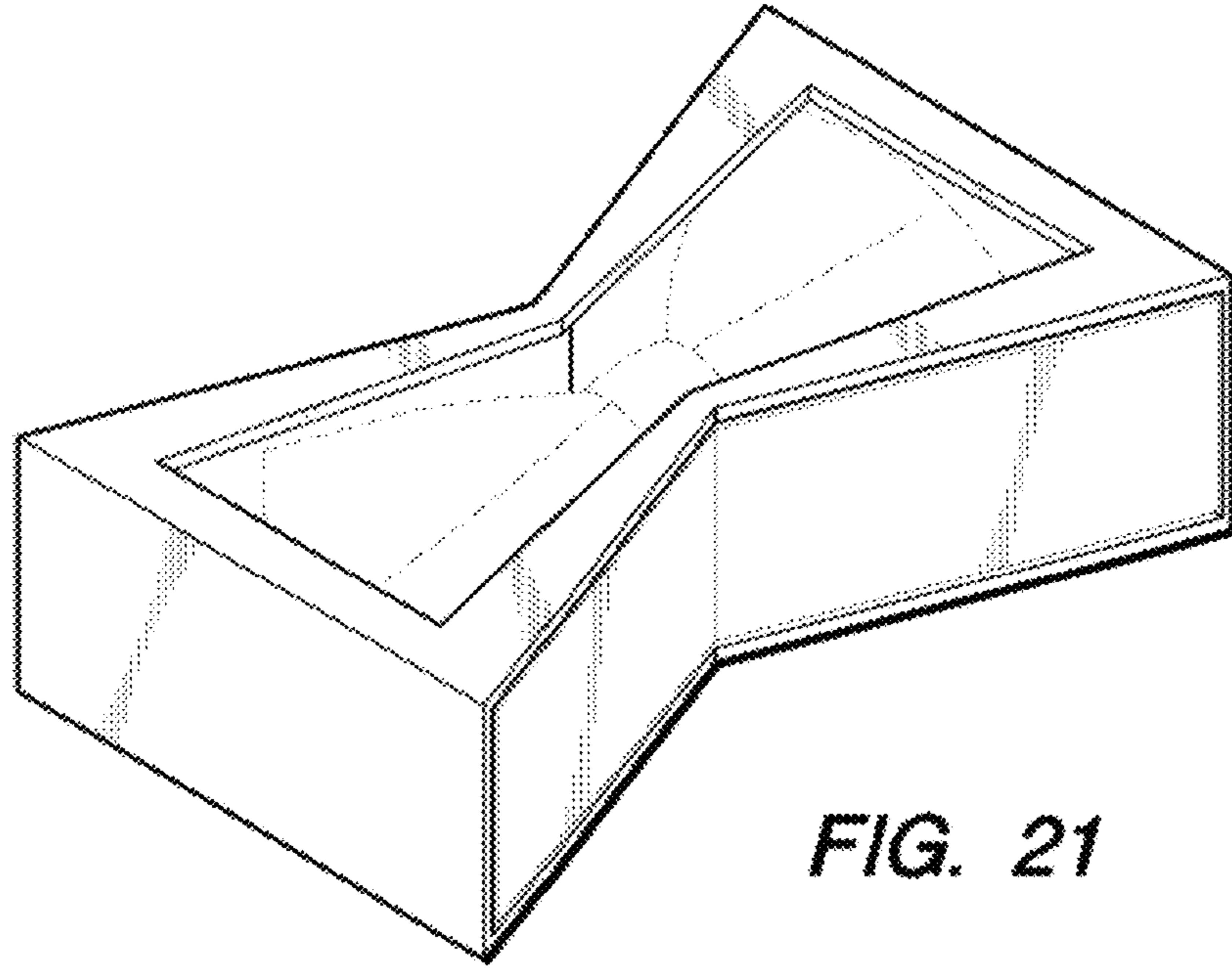


**FIG. 19**

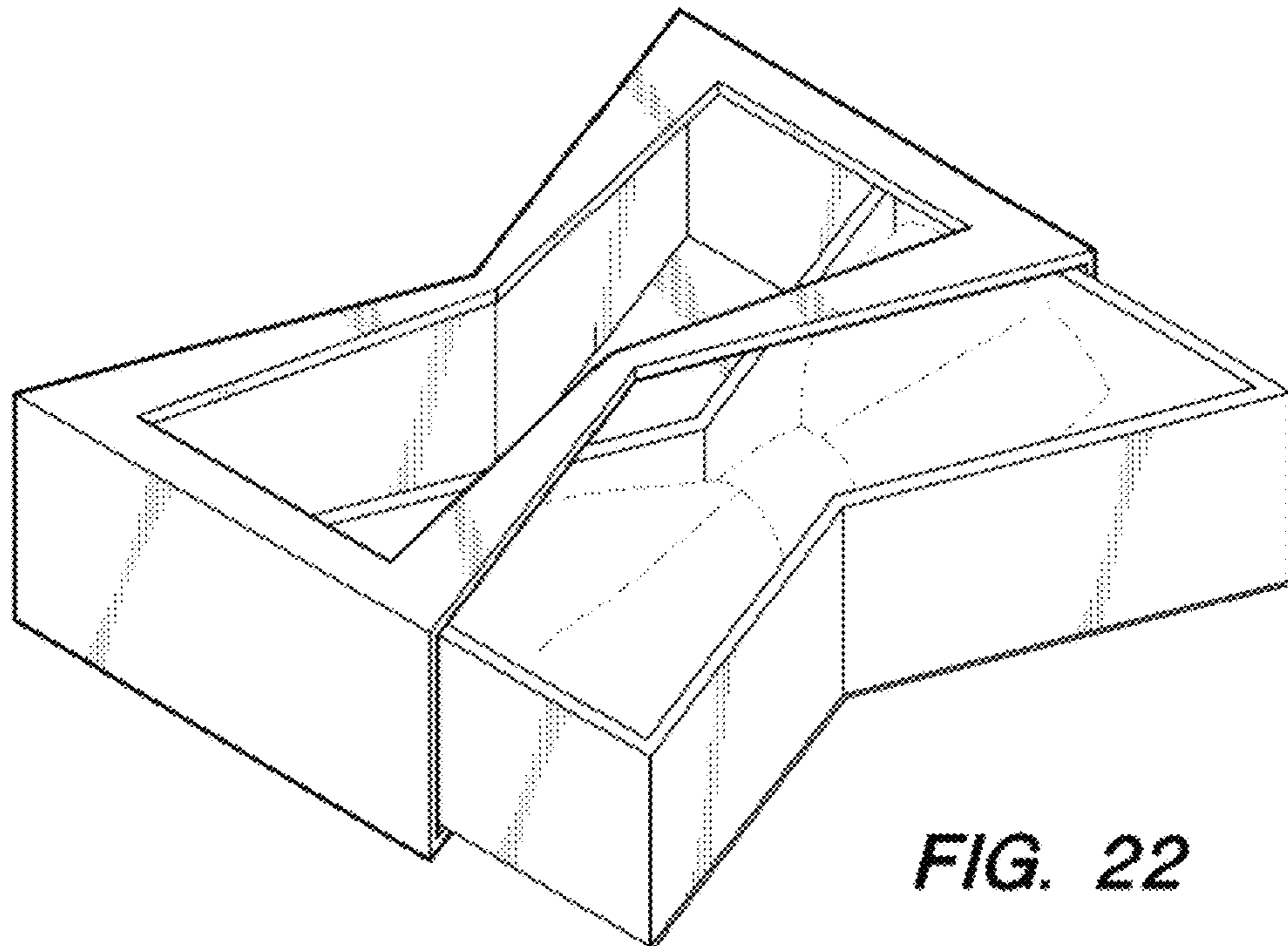


**FIG. 20**

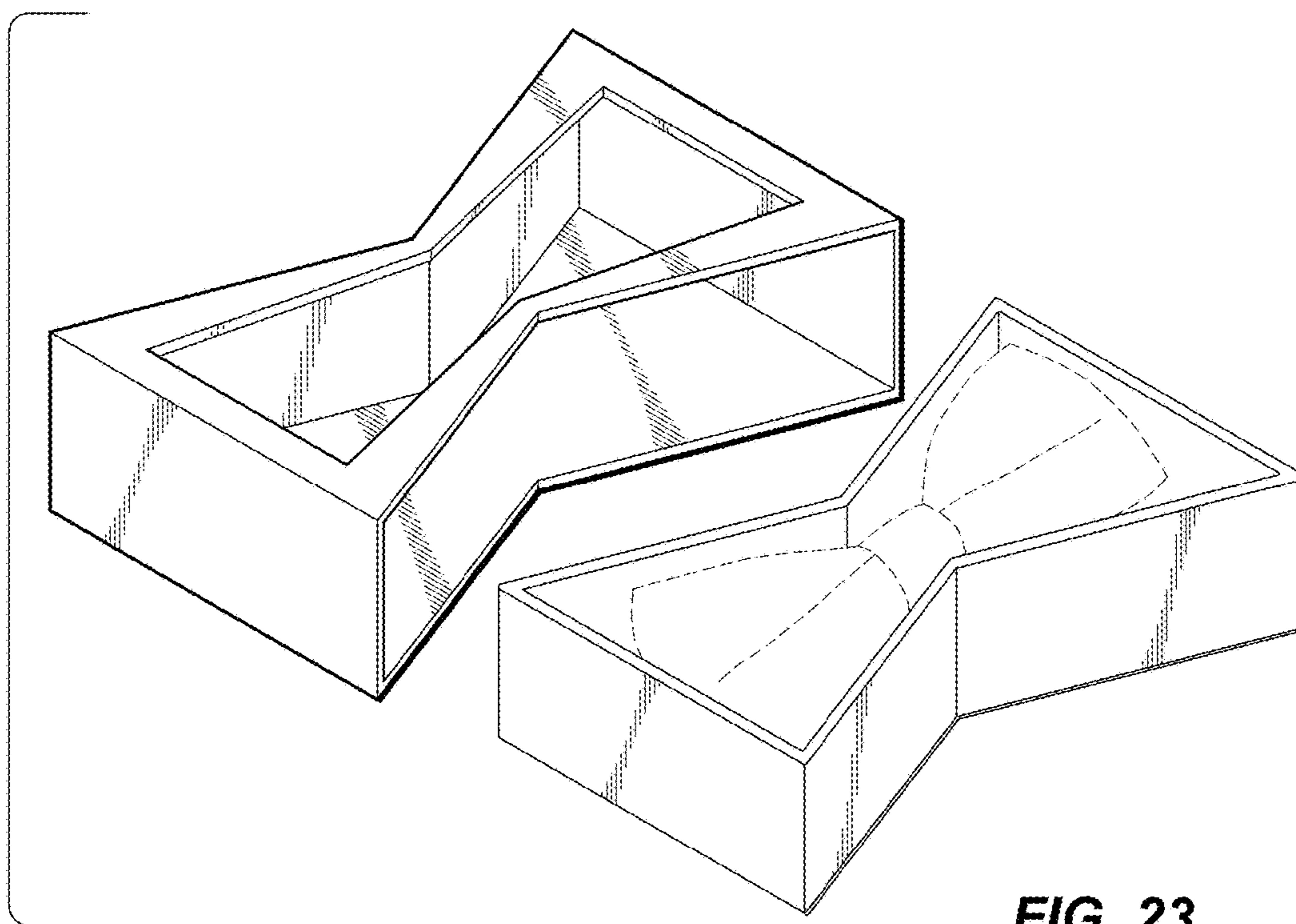




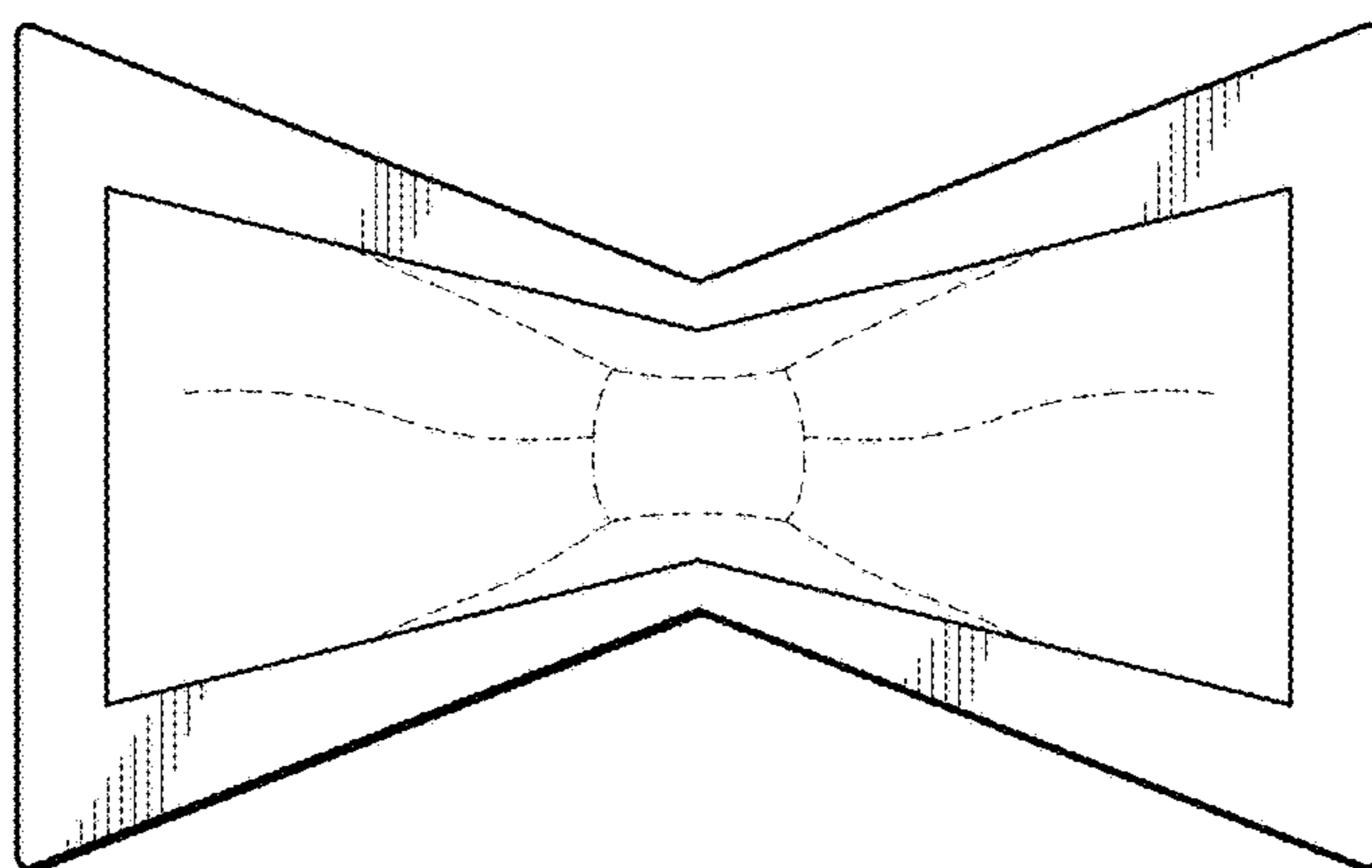
**FIG. 21**



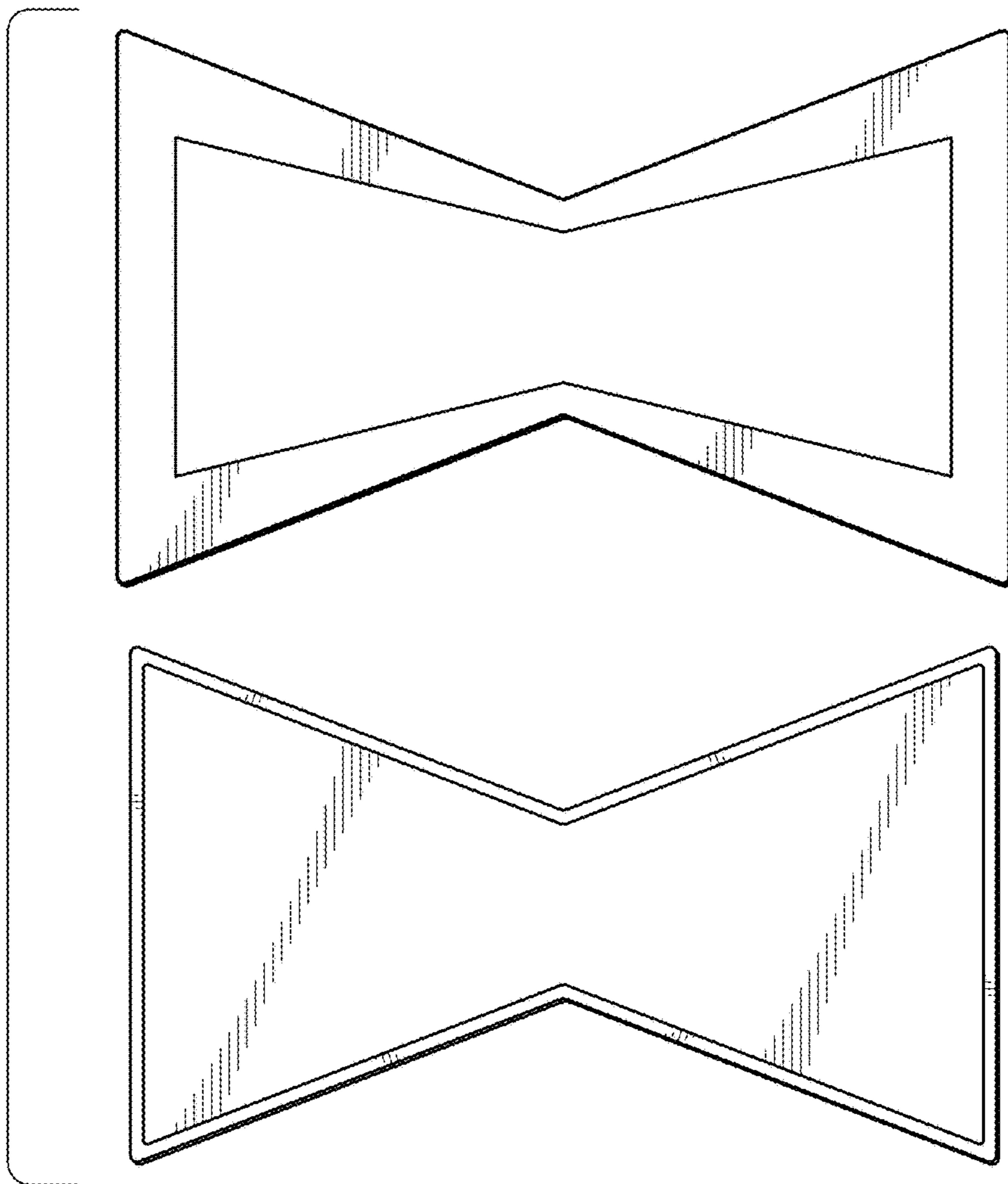
**FIG. 22**



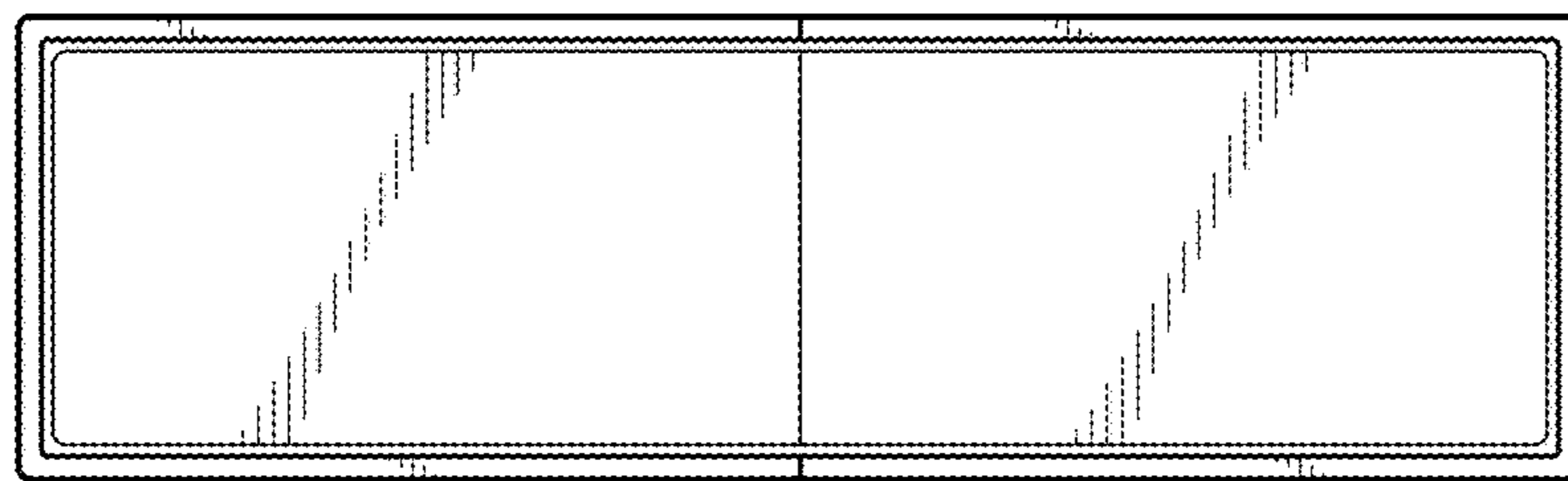
**FIG. 23**



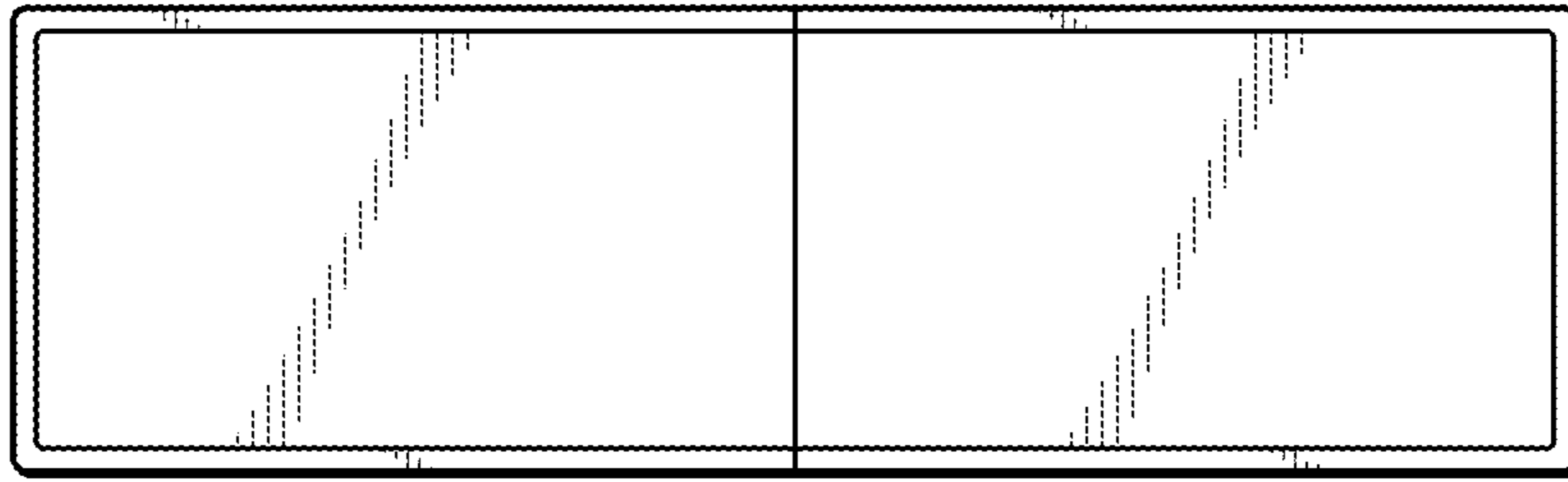
**FIG. 24**



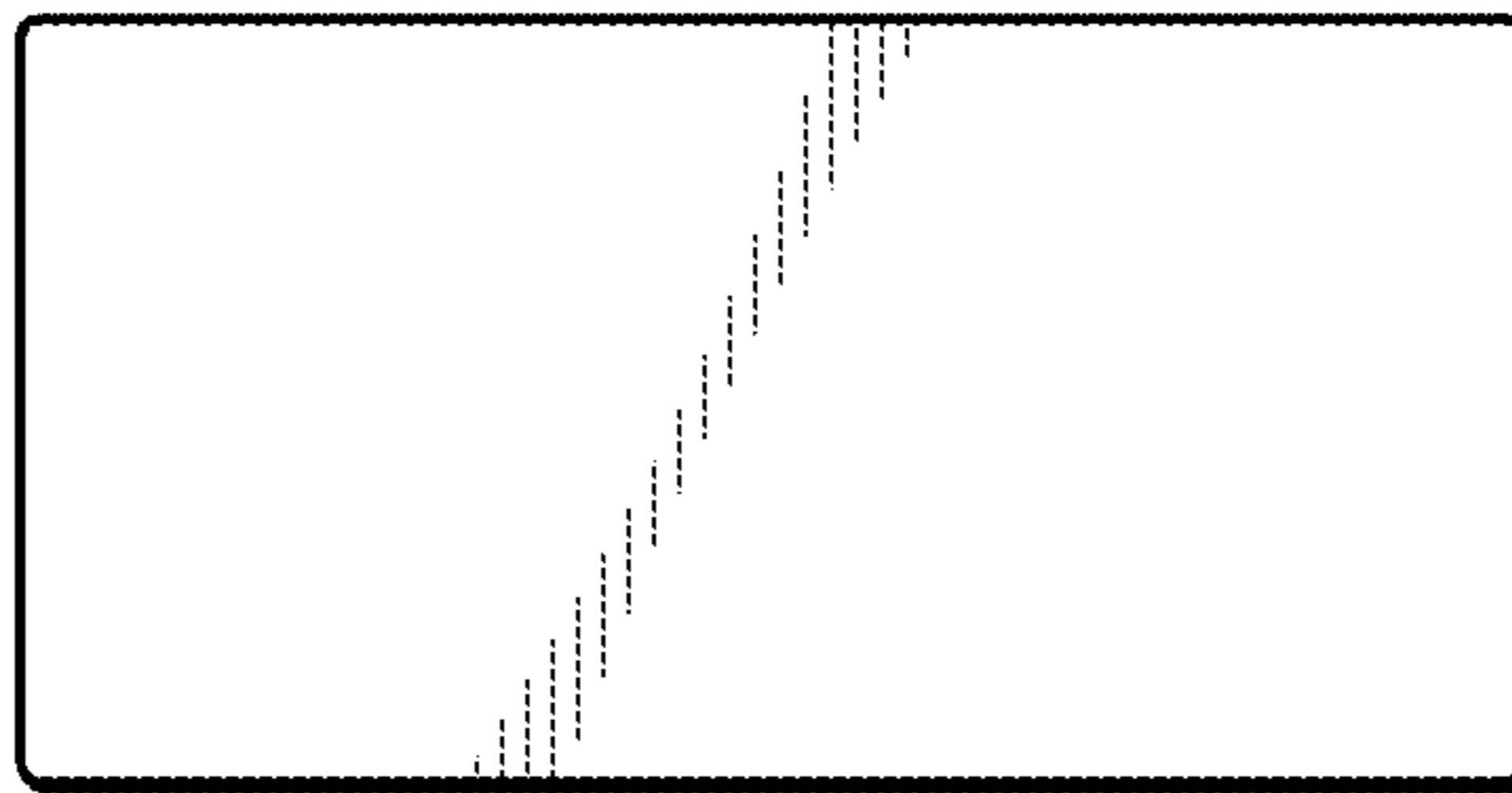
**FIG. 25**



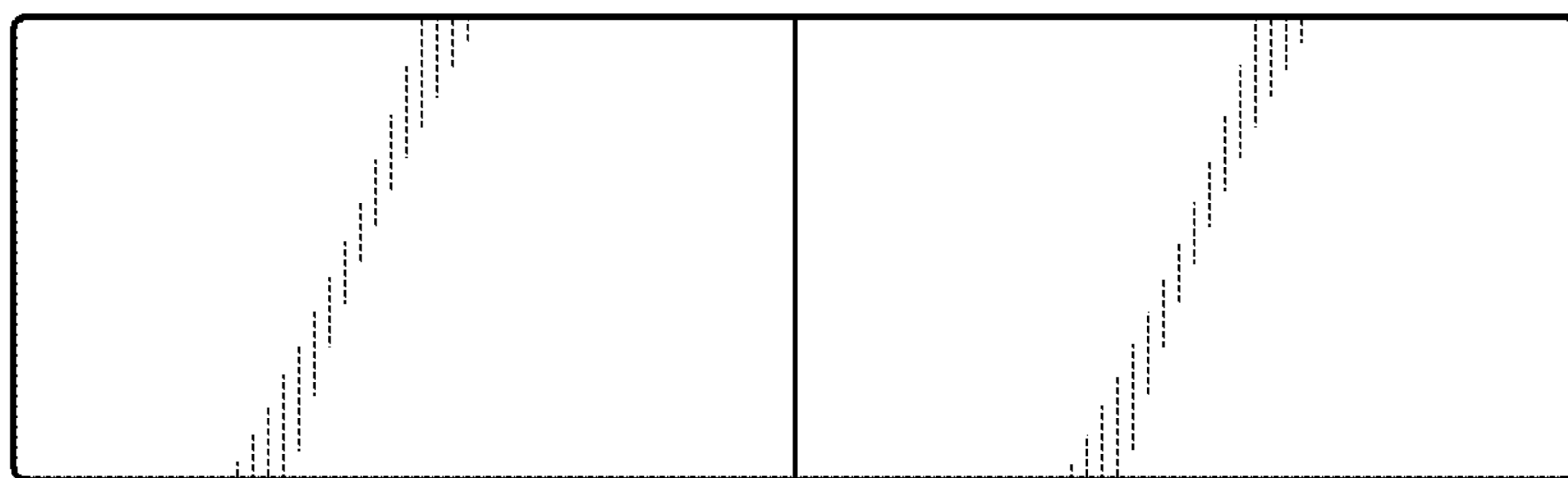
**FIG. 26**



**FIG. 27**

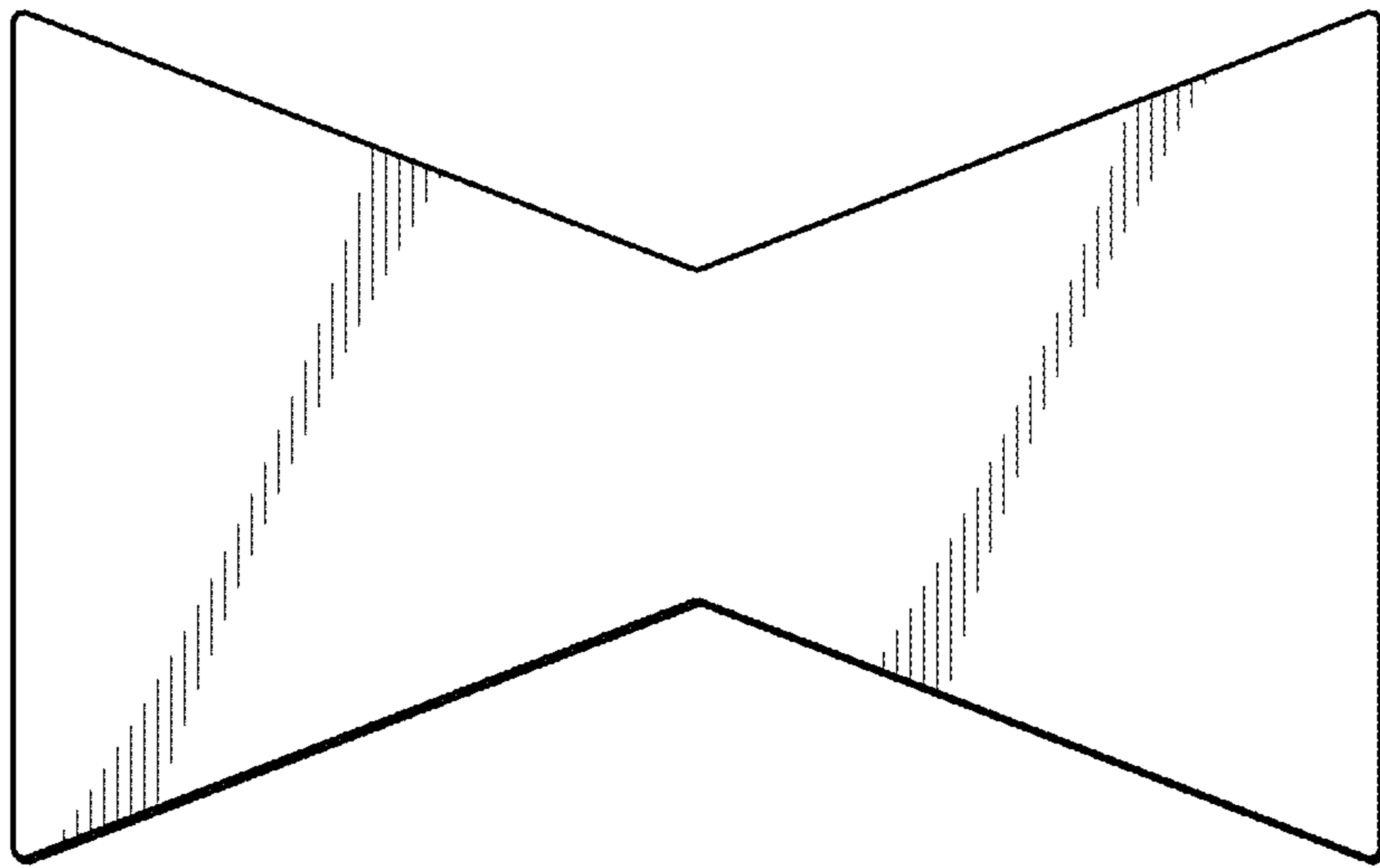


**FIG. 28**

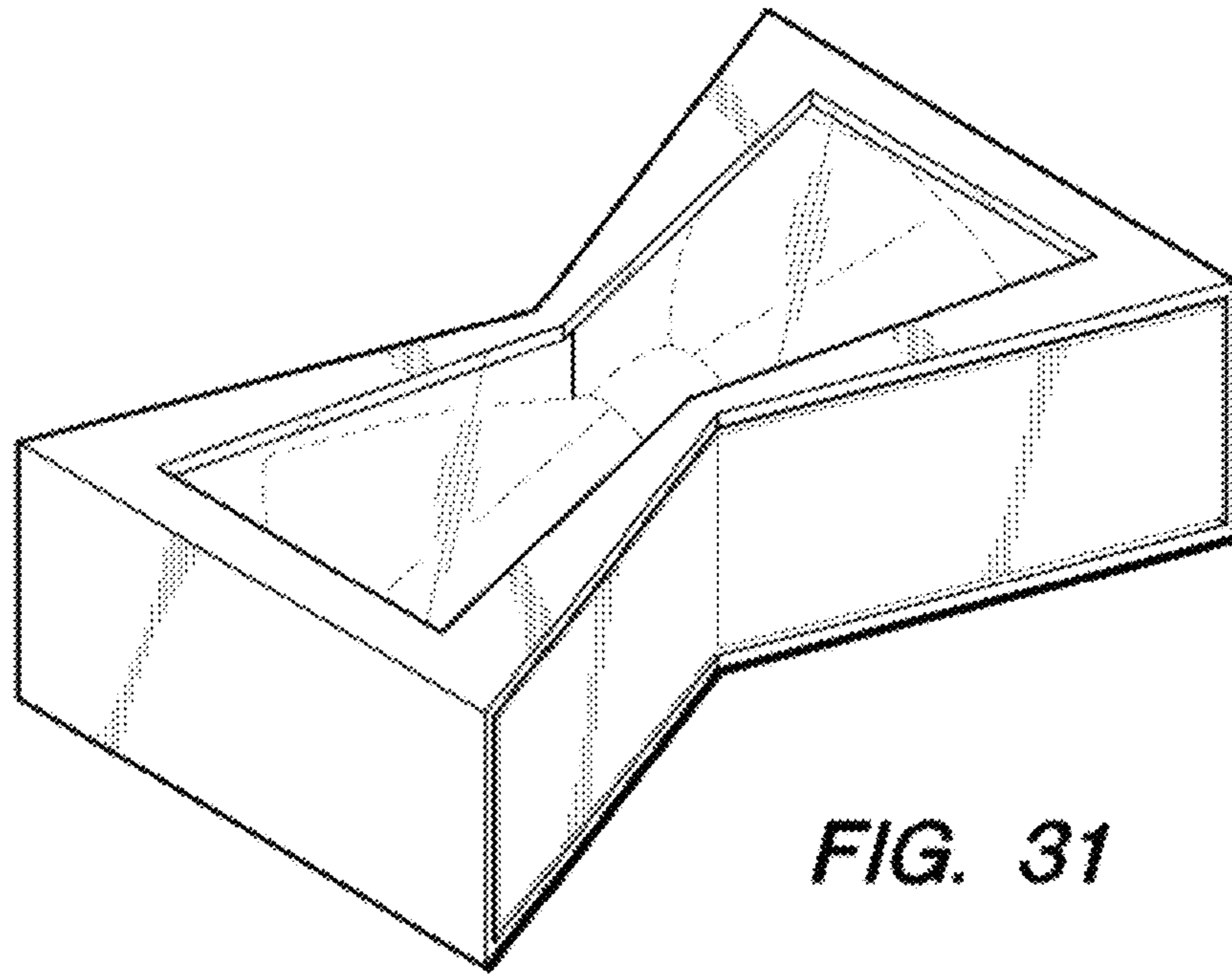


**FIG. 29**

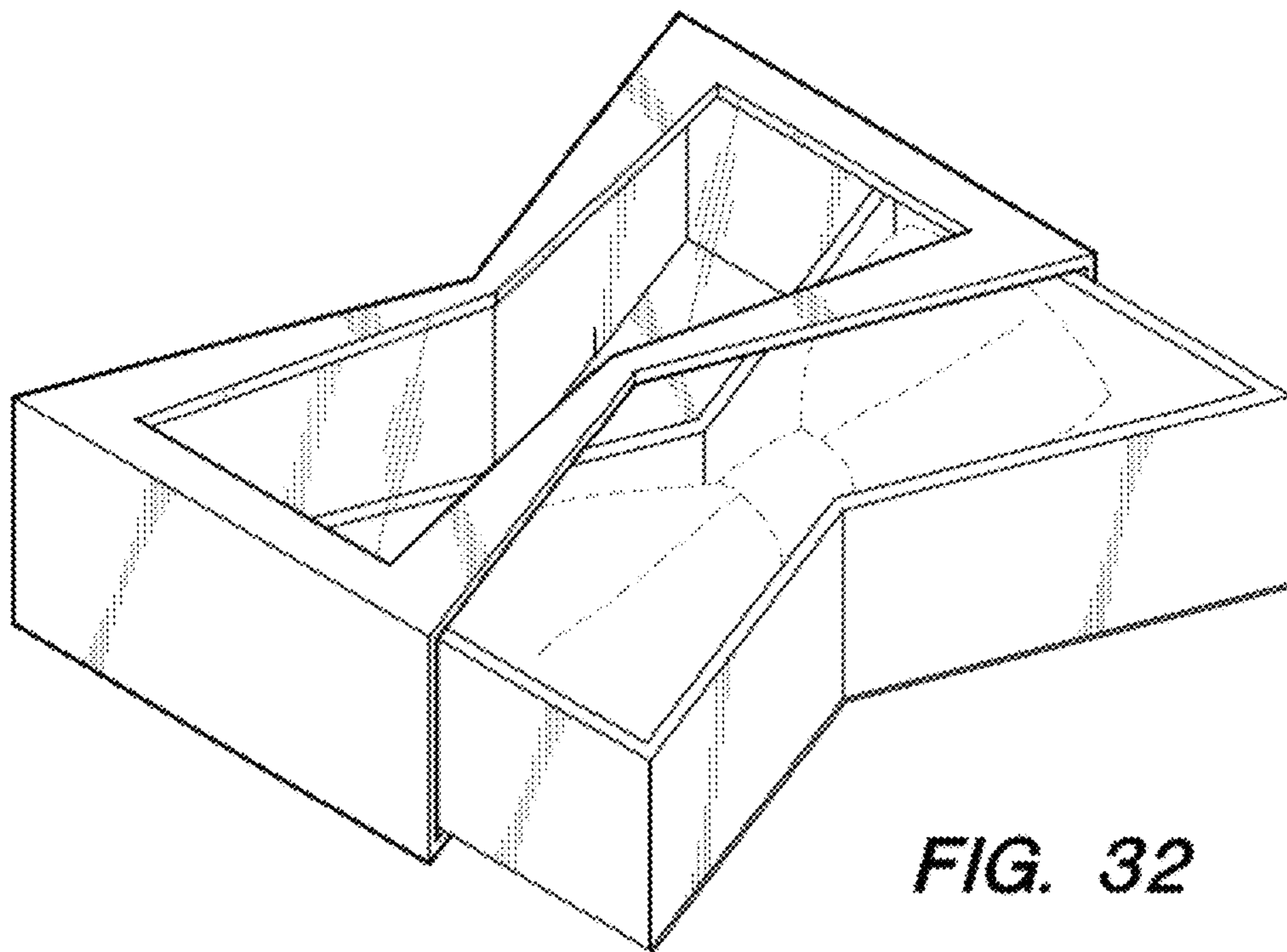




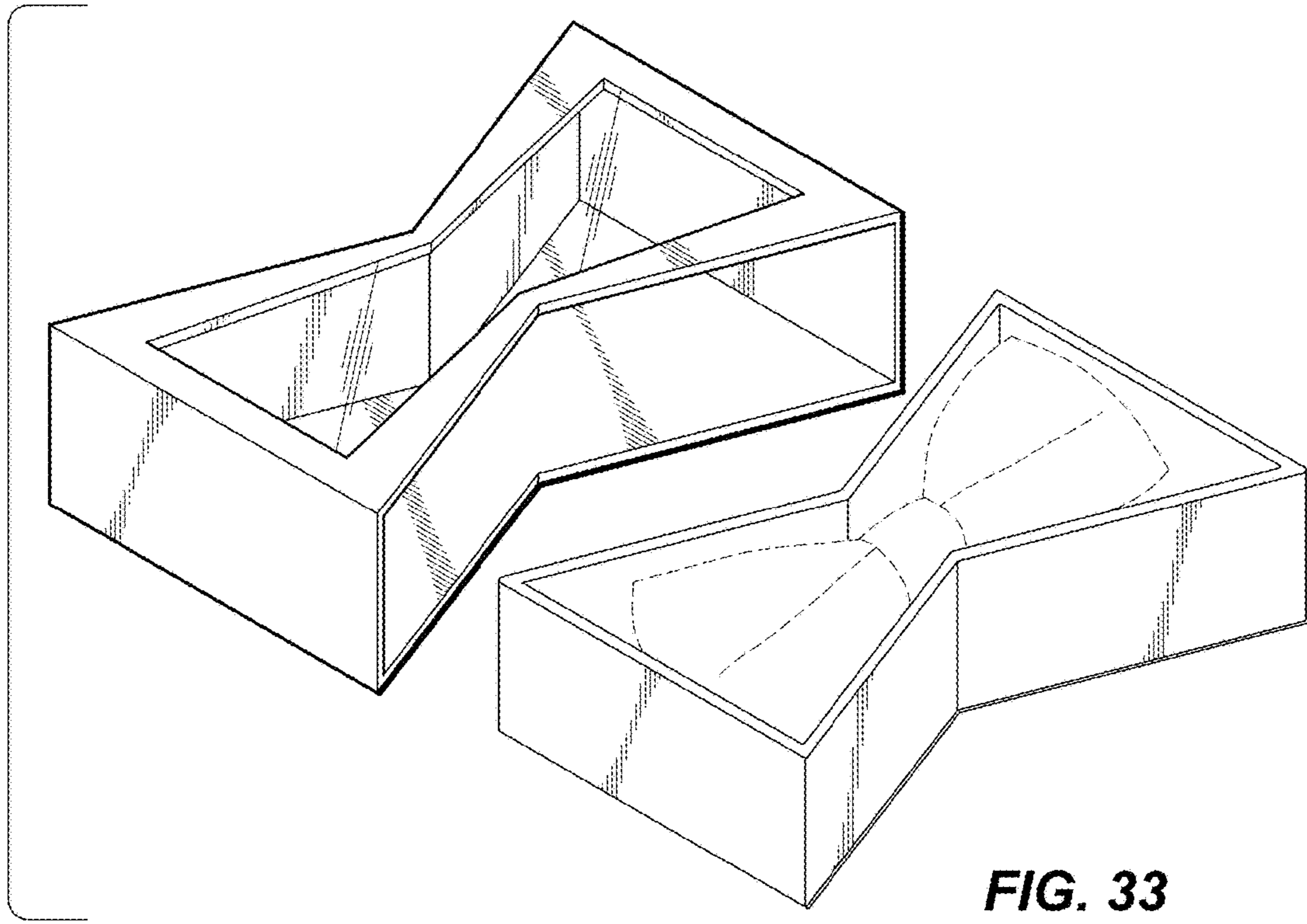
**FIG. 30**



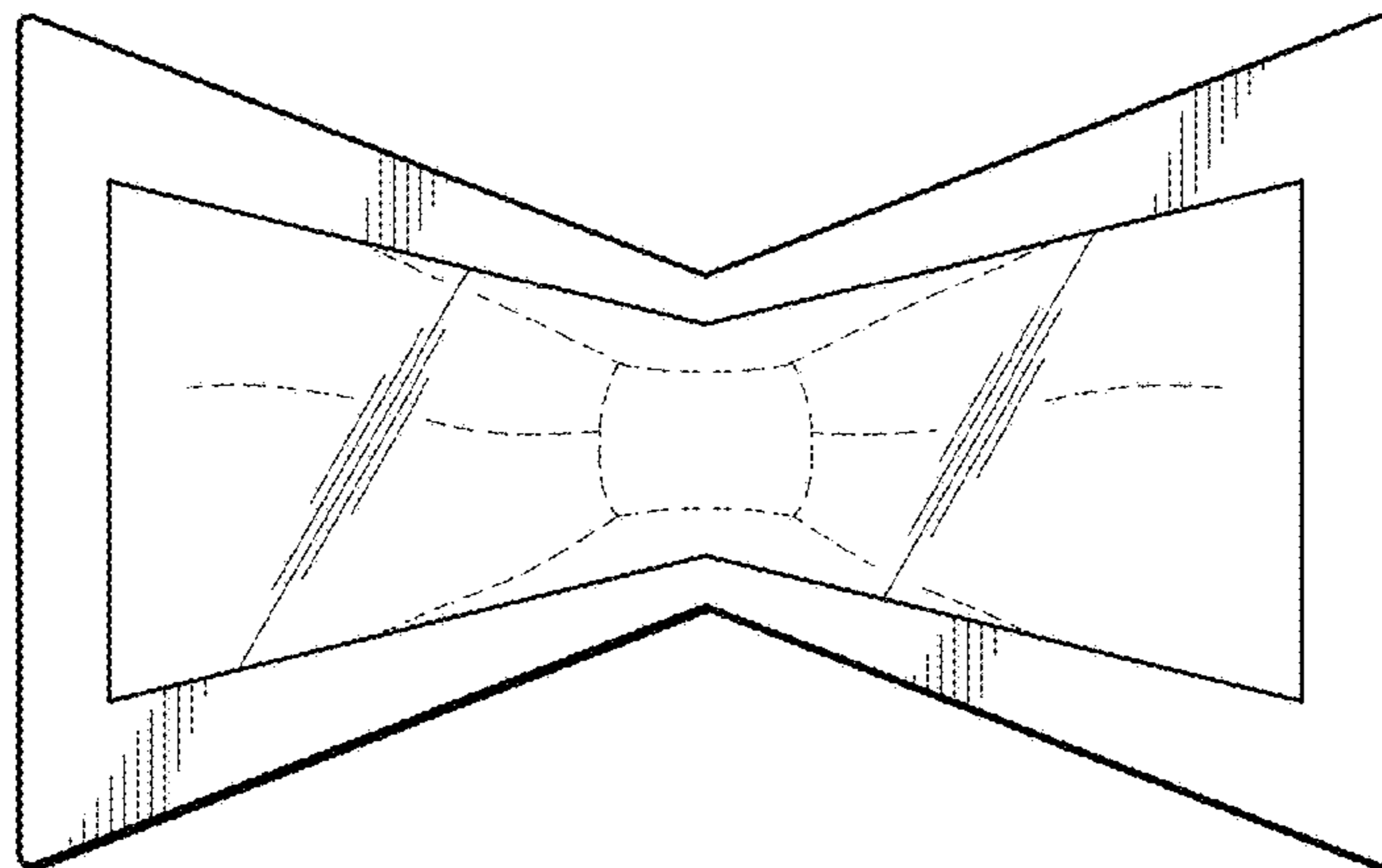
**FIG. 31**



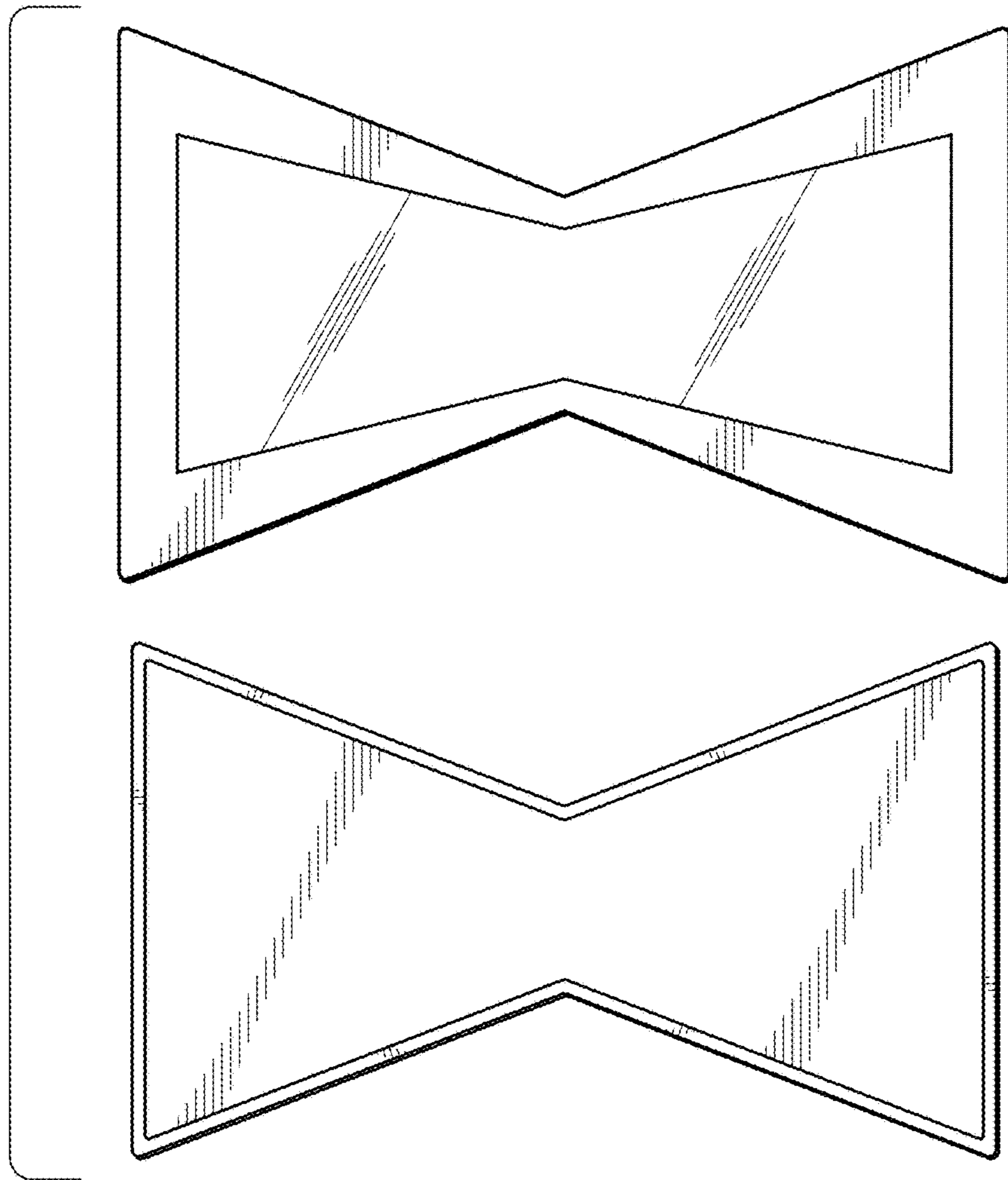
**FIG. 32**



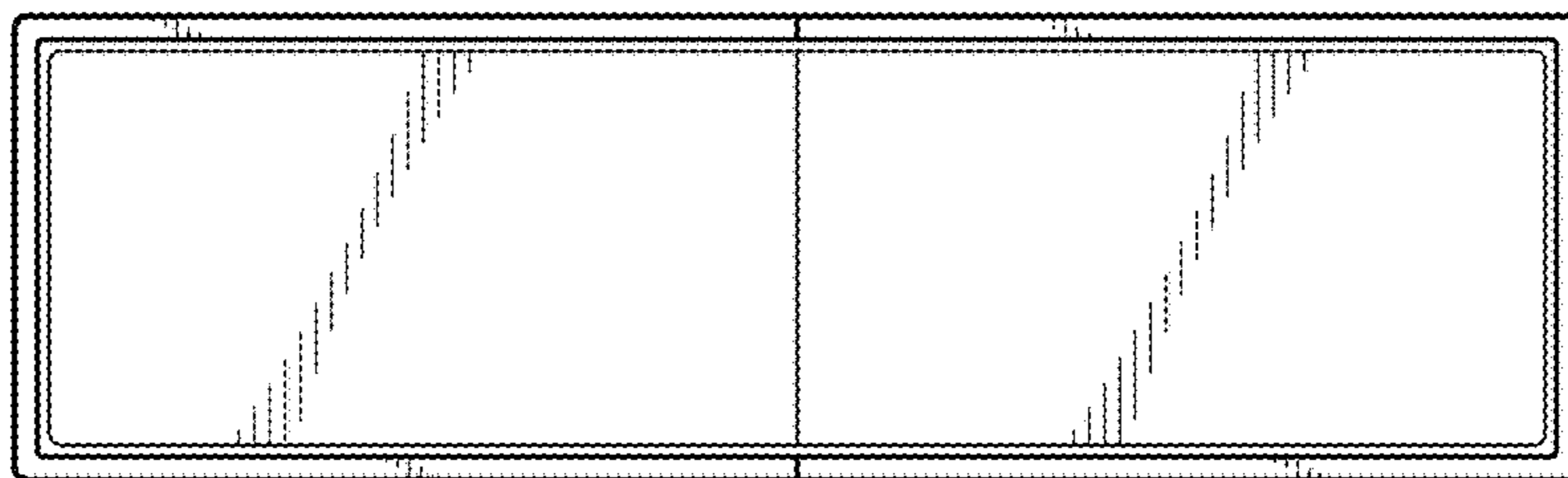
**FIG. 33**



**FIG. 34**

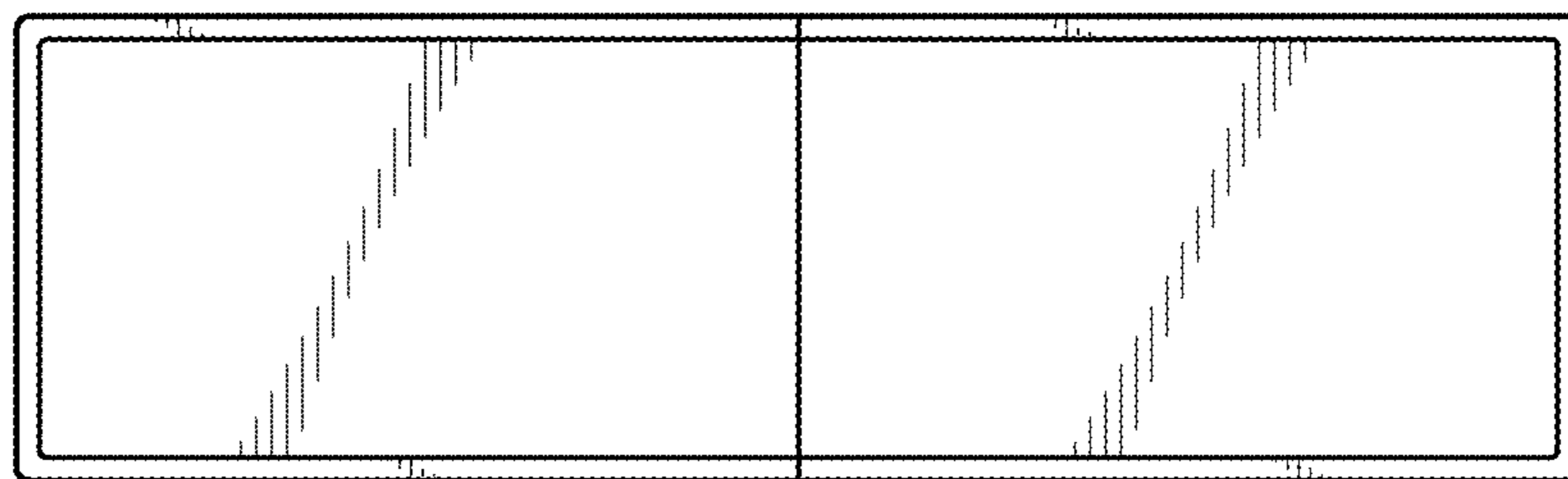


**FIG. 35**

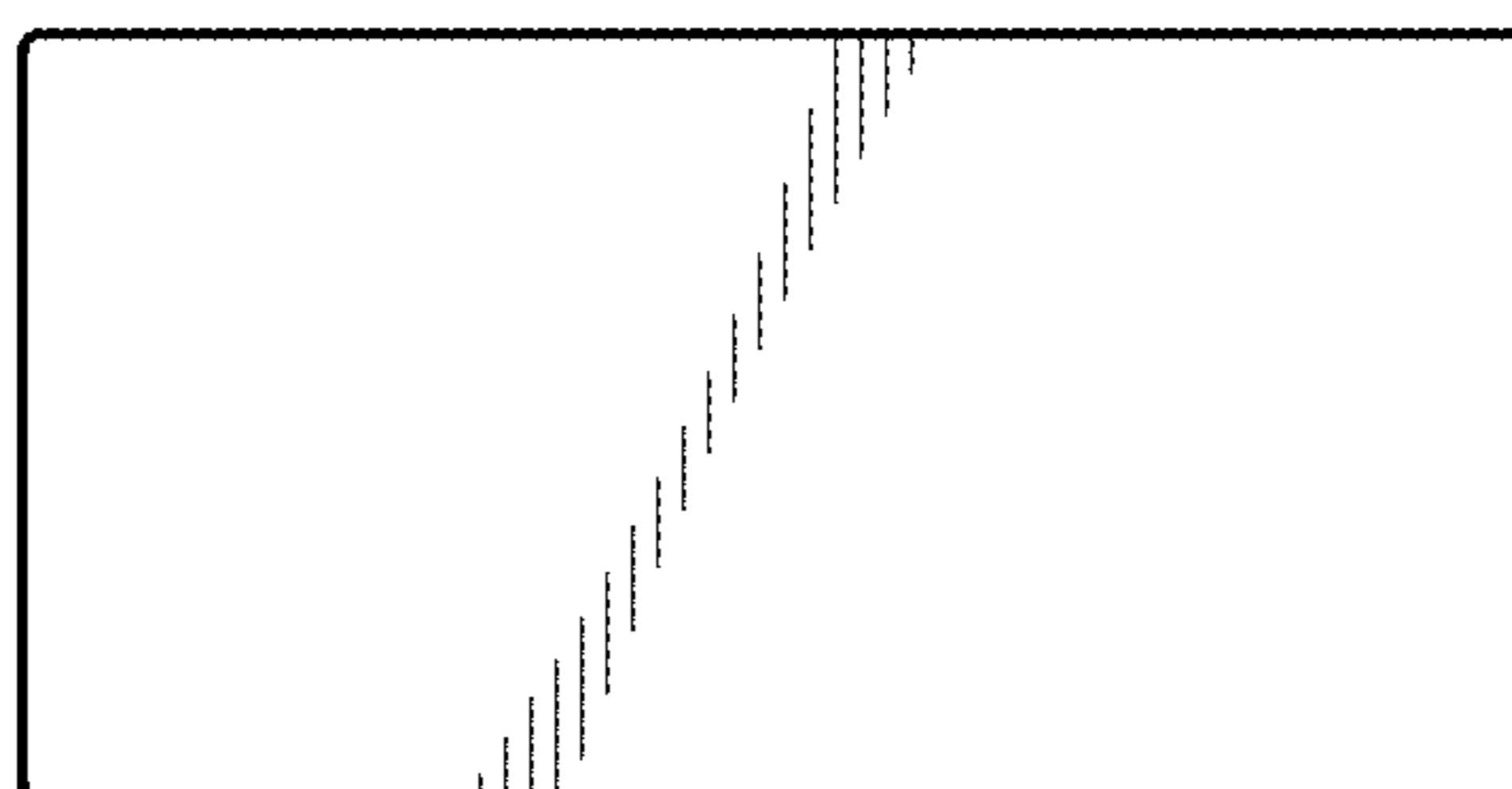


**FIG. 36**

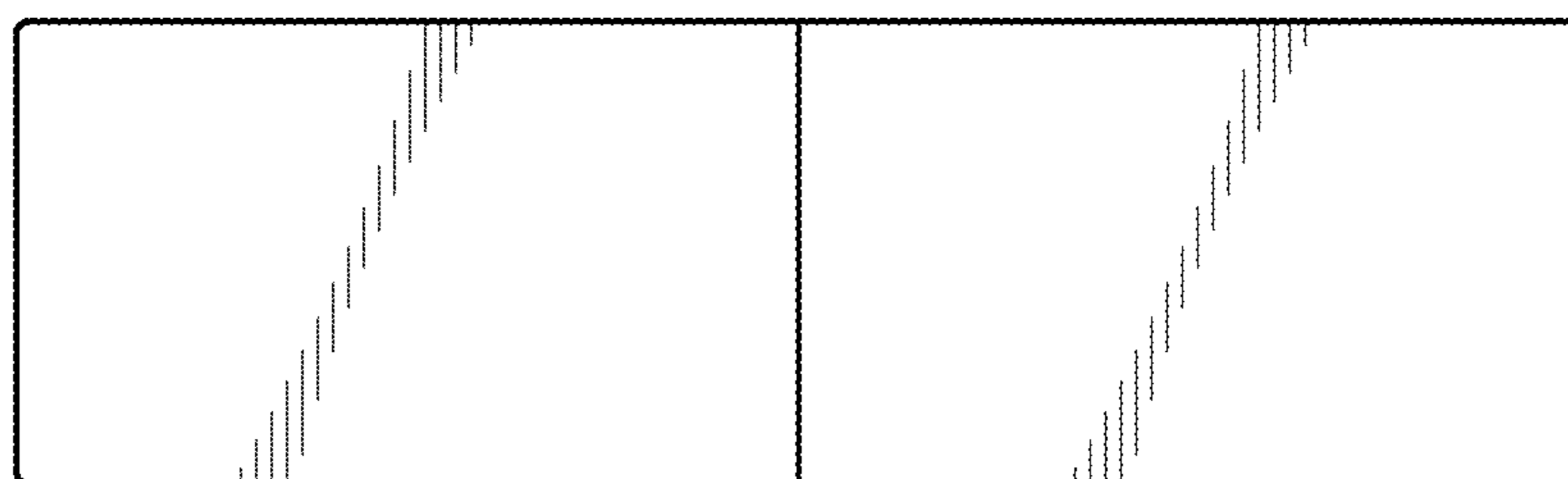




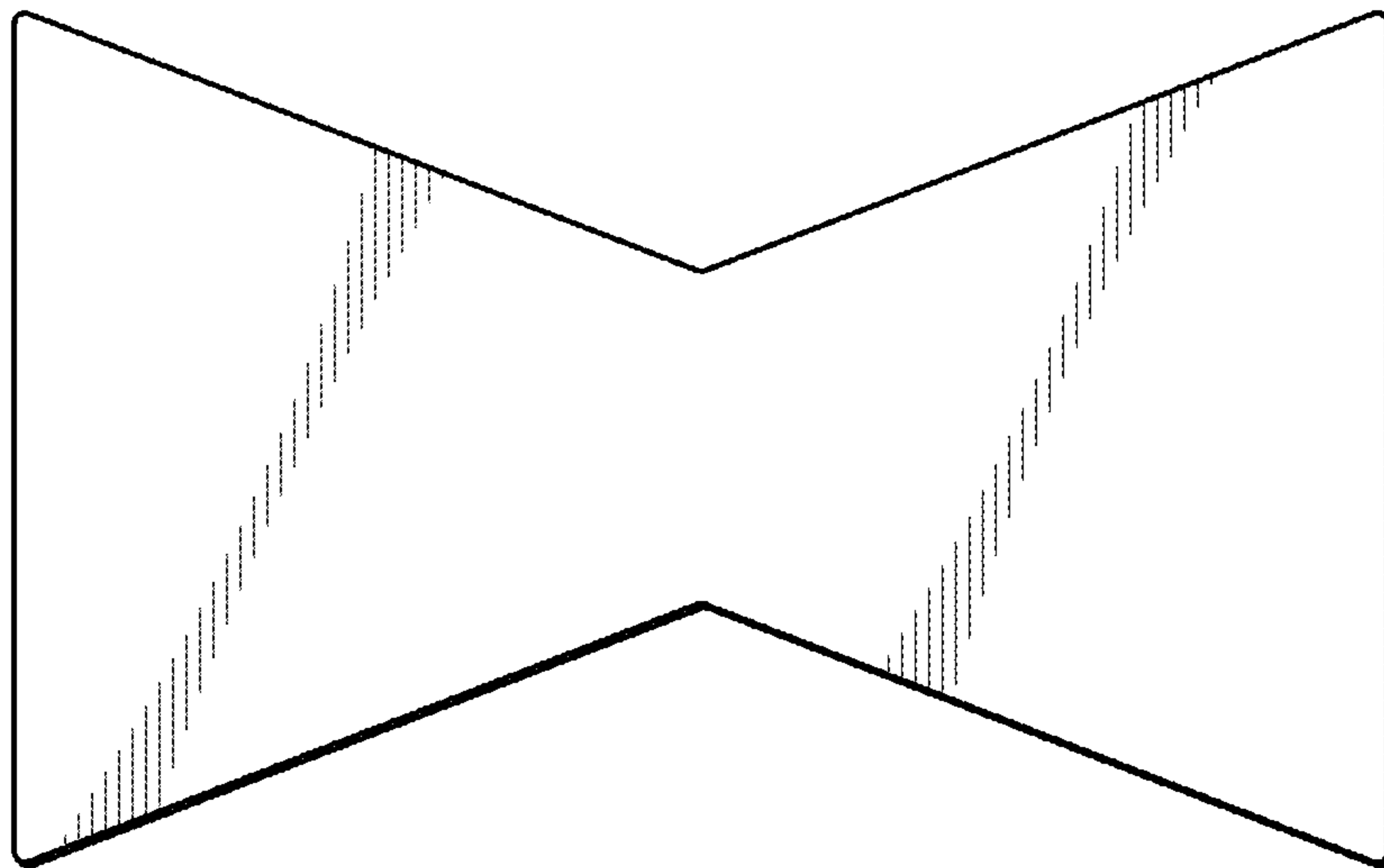
**FIG. 37**



**FIG. 38**



**FIG. 39**



**FIG. 40**