



US00D834406S

(12) **United States Design Patent** (10) **Patent No.:** **US D834,406 S**  
**Nuamu et al.** (45) **Date of Patent:** **\*\* Nov. 27, 2018**

(54) **PACKAGING CONTAINER**  
(71) Applicant: **Tetra Laval Holdings & Finance S.A.,**  
Pully (CH)  
(72) Inventors: **Mugeni Nuamu, Lund (SE); Jonas**  
**Eklund, Lund (SE)**  
(73) Assignee: **TETRA LAVAL HOLDINGS &**  
**FINANCE S.A., Pully (CH)**  
(\*\*) Term: **15 Years**  
(21) Appl. No.: **29/591,946**  
(22) Filed: **Jan. 25, 2017**

6,595,159 B1 \* 7/2003 Montalbano ..... A01K 1/0114  
119/167  
D490,113 S \* 5/2004 Nykoluk ..... D20/27  
D510,034 S \* 9/2005 Hong ..... D9/540  
D629,294 S \* 12/2010 Chinnis ..... D9/431  
D629,295 S \* 12/2010 Franic ..... D9/433  
D635,016 S \* 3/2011 Kalberer ..... D9/431  
D637,487 S \* 5/2011 Franic ..... D9/433  
D651,896 S \* 1/2012 Ren ..... D9/434  
D652,316 S \* 1/2012 Ren ..... D9/432  
D657,239 S \* 4/2012 Gavrilencov ..... D9/432  
D658,373 S \* 5/2012 Gros ..... D12/414.1  
D658,374 S \* 5/2012 Anderson ..... D3/273  
D670,163 S \* 11/2012 Lauritzen ..... D9/431  
D673,038 S \* 12/2012 Lauritzen ..... D9/431  
D697,789 S \* 1/2014 Gerdes ..... D9/417  
D711,734 S \* 8/2014 Kim ..... D9/415  
D714,638 S \* 10/2014 Mohn ..... D9/432  
D716,140 S \* 10/2014 Kim ..... D9/430

(30) **Foreign Application Priority Data**  
Jul. 25, 2016 (EM) ..... 003318260-0001  
Jul. 25, 2016 (EM) ..... 003318260-0002  
Jul. 25, 2016 (EM) ..... 003318260-0003  
(51) **LOC (11) Cl.** ..... **09-03**  
(52) **U.S. Cl.**  
USPC ..... **D9/414**  
(58) **Field of Classification Search**  
USPC ..... D9/414-419, 420-425, 430-434, 445,  
D9/447, 453, 457, 540, 544, 557, 575,  
D9/645, 670, 721, 737; D24/124, 126,  
D24/152; D3/304, 905; D7/531, 560,  
D7/561; 604/385.3; 229/123.3, 137,  
229/125.15; 206/267  
CPC ..... B65D 5/029; B65D 77/042; B65B 61/18  
See application file for complete search history.

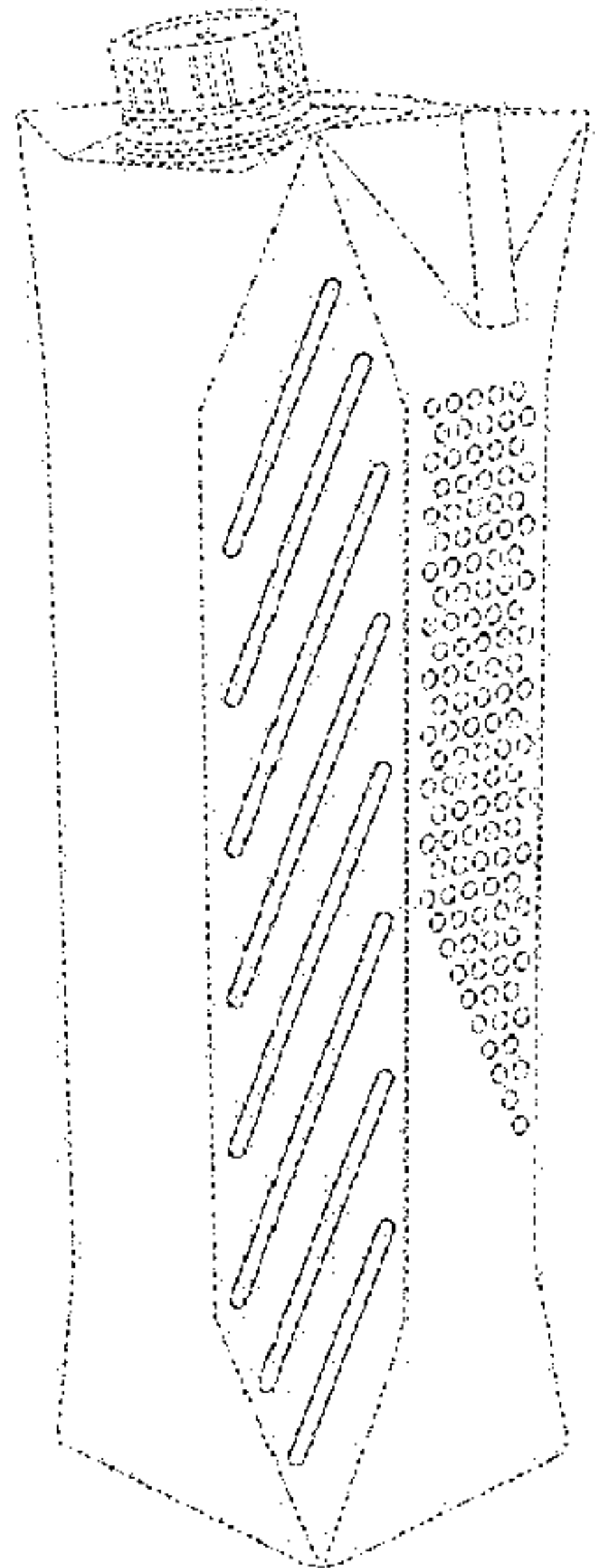
(Continued)  
*Primary Examiner* — Barbara Fox  
*Assistant Examiner* — Mehri F Bajoul  
(74) *Attorney, Agent, or Firm* — Buchanan Ingersoll &  
Rooney PC

(56) **References Cited**  
U.S. PATENT DOCUMENTS  
D250,402 S \* 11/1978 Connell ..... D11/156  
D468,638 S \* 1/2003 Nogami ..... D9/423  
D476,764 S \* 7/2003 Khovaylo ..... D10/104.1

(57) **CLAIM**  
The ornamental design for a packaging container, as shown  
and described.

**DESCRIPTION**  
FIG. 1 is front, right perspective view of a packaging  
container showing our new design.  
FIG. 2 is left side elevational view thereof.  
FIG. 3 is front elevational view thereof.  
FIG. 4 is a right side elevational view thereof.  
FIG. 5 is a rear elevational view thereof.  
FIG. 6 is a top plan view thereof; and,  
FIG. 7 is a bottom plan view thereof.  
The broken lines in the drawings depict portions of the  
packaging container that form no part of the claimed design.

**1 Claim, 6 Drawing Sheets**



(56)

**References Cited**

## U.S. PATENT DOCUMENTS

D721,576 S *	1/2015	De Pietri Tonelli .....	D9/431
D728,364 S *	5/2015	Baker .....	D9/432
D733,556 S *	7/2015	De Pietri Tonelli .....	D9/431
D734,144 S *	7/2015	Sanfilippo .....	D9/416
D748,470 S *	2/2016	Mohn .....	D9/432
D754,534 S *	4/2016	Sanfilippo .....	D9/432
D764,283 S *	8/2016	Mohn .....	D9/432
D764,797 S *	8/2016	Horovitz .....	D3/276
D765,398 S *	9/2016	Vaccarella .....	A45C 3/04 D3/304
D785,942 S *	5/2017	Utsugi .....	D3/304
D786,444 S *	5/2017	Amitai .....	D24/176
D794,180 S *	8/2017	Frisk .....	D24/124
D795,686 S *	8/2017	Mohn .....	D9/417
D801,049 S *	10/2017	Mutoh .....	D3/304
D803,044 S *	11/2017	Franic .....	D9/431
2017/0073102 A1 *	3/2017	Borasi .....	B65D 5/746

\* cited by examiner

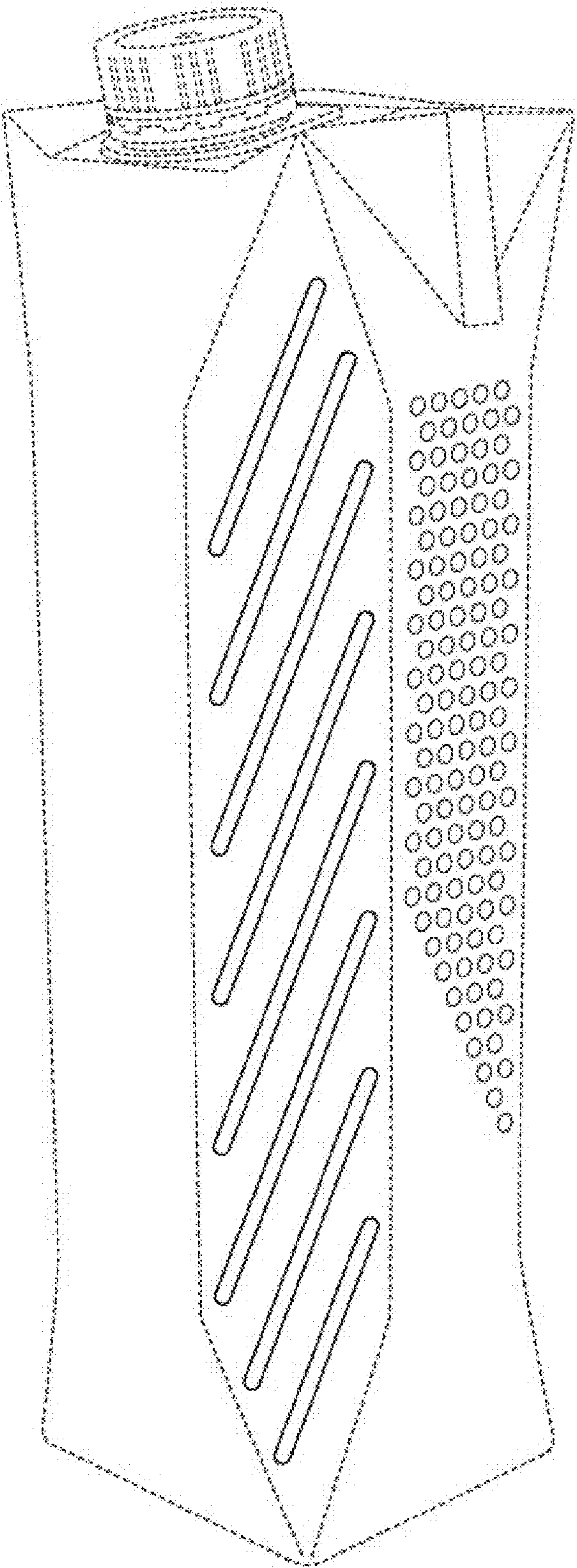


FIG. 1



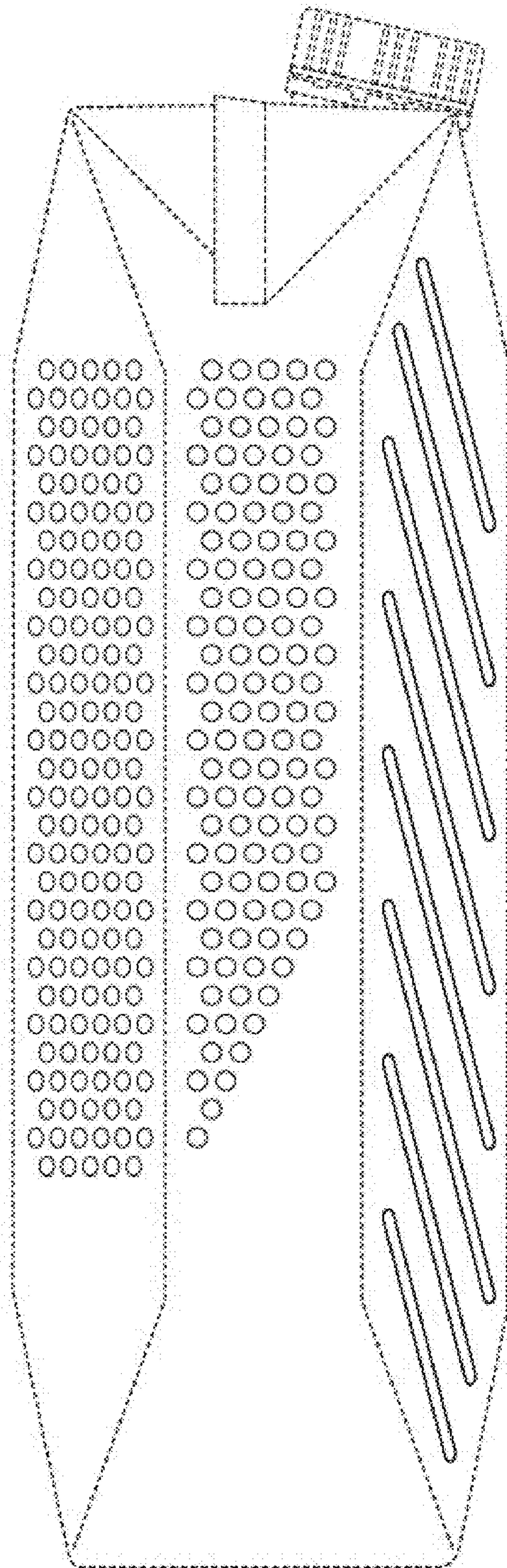


FIG. 2

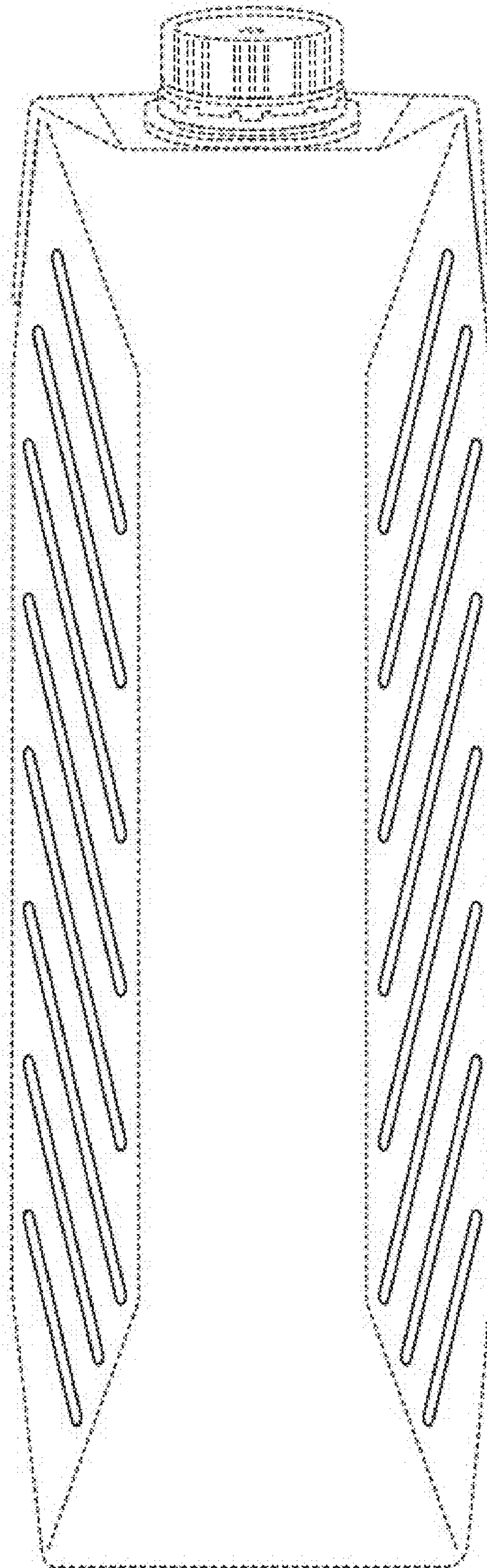


FIG. 3



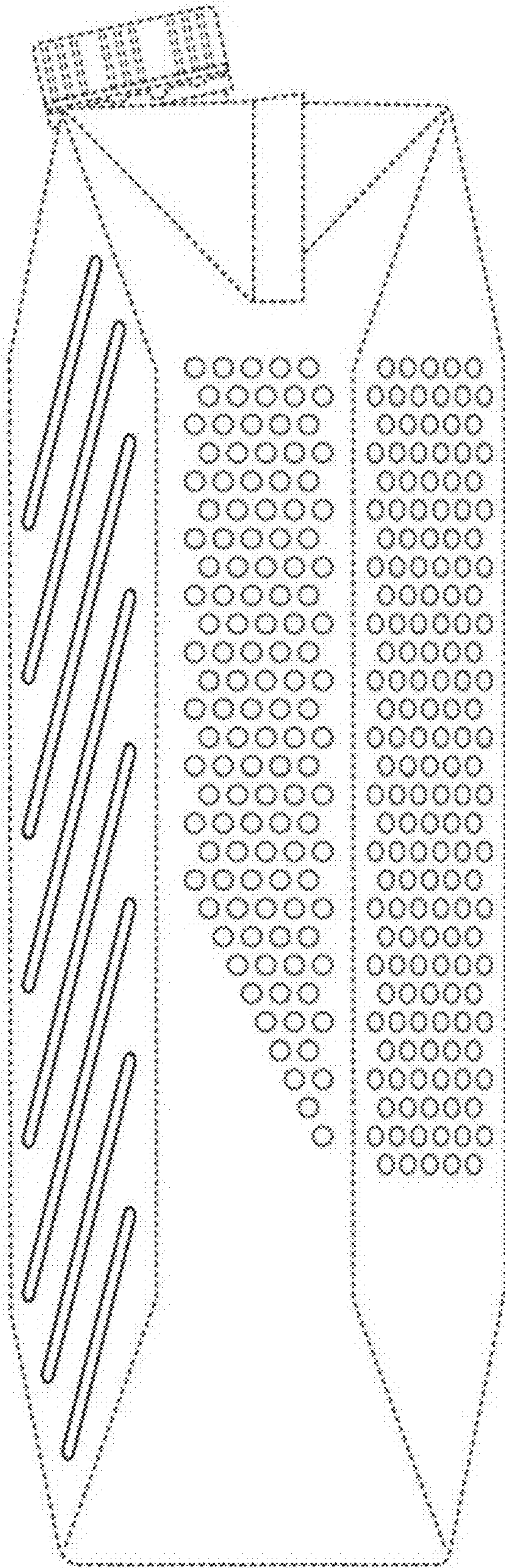


FIG. 4

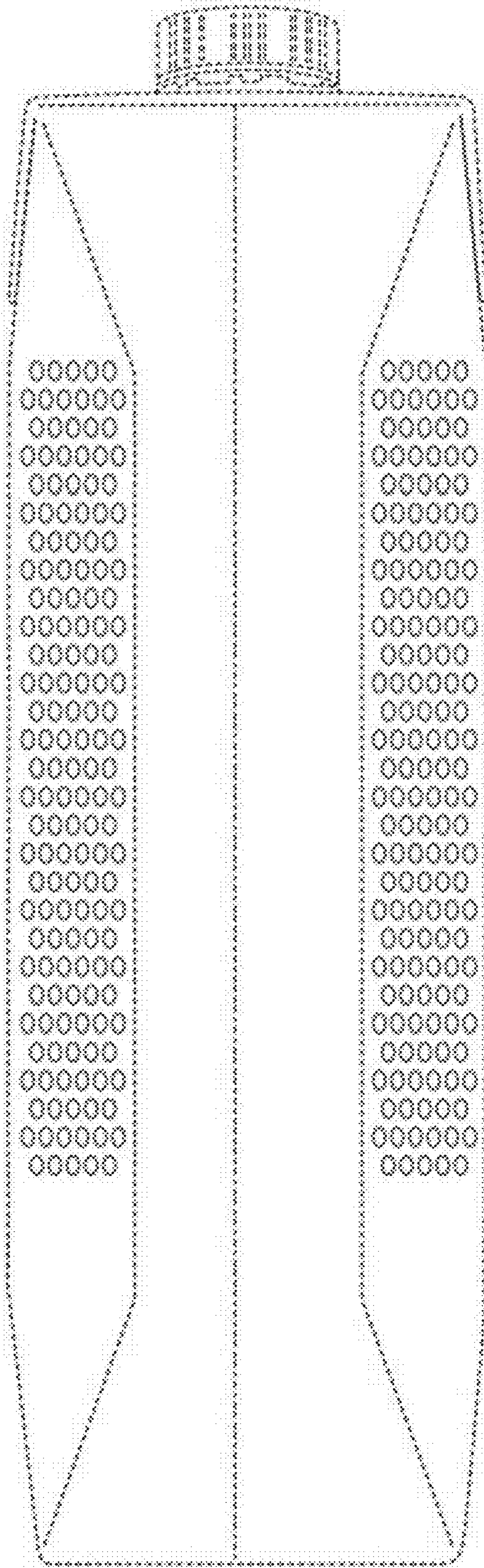


FIG. 5

FIG. 6

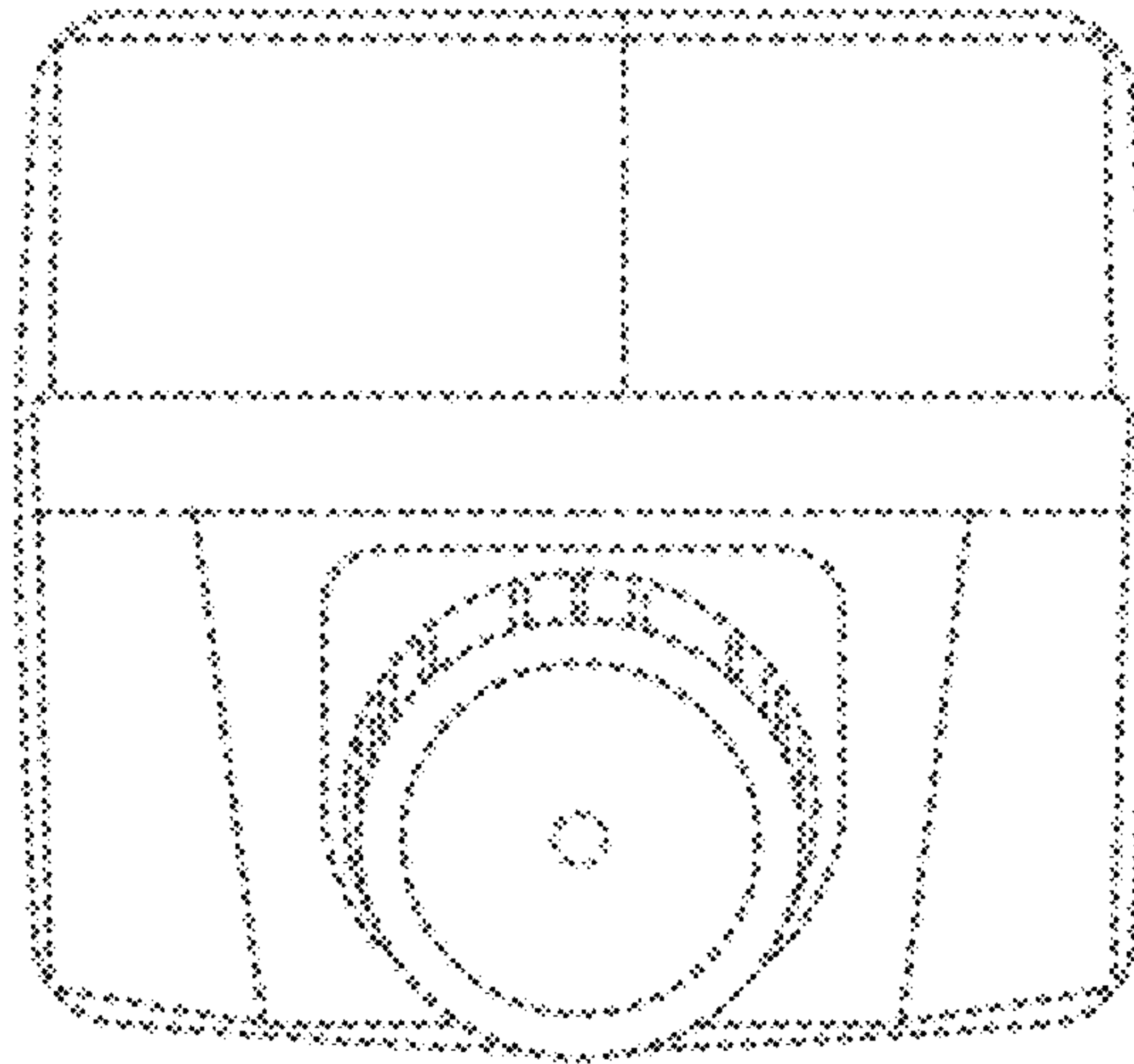


FIG. 7

