



US00D834405S

(12) **United States Design Patent**  
**Gorham, III**

(10) **Patent No.:** **US D834,405 S**

(45) **Date of Patent:** **\*\* Nov. 27, 2018**

(54) **DOOR KNOCKER**

(71) Applicant: **Alonzo Dumay Gorham, III,**  
Wilmington, NC (US)

(72) Inventor: **Alonzo Dumay Gorham, III,**  
Wilmington, NC (US)

(\*\*) Term: **15 Years**

(21) Appl. No.: **29/601,024**

(22) Filed: **Apr. 18, 2017**

(51) **LOC (11) Cl.** ..... **10-06**

(52) **U.S. Cl.**  
USPC ..... **D8/401**

(58) **Field of Classification Search**  
USPC ..... D8/401; D21/769  
CPC ..... B63B 35/79; G10K 3/00  
See application file for complete search history.

(56) **References Cited**

**U.S. PATENT DOCUMENTS**

D23,446 S *	7/1894	Kiefer .....	D19/65
D72,236 S *	3/1927	Pickard .....	D8/401
D142,372 S *	9/1945	Brown .....	D8/324
2,405,916 A *	8/1946	Neuhaus .....	G10K 3/00
			116/167
D211,566 S *	7/1968	Gragg .....	D8/401
5,489,228 A *	2/1996	Richardson .....	B63B 35/7909
			114/357
5,816,876 A *	10/1998	Hamilton .....	B63B 5/24
			441/74
6,007,394 A *	12/1999	Kagan .....	B63B 35/812
			441/70
D515,684 S *	2/2006	Latone .....	D23/366
D522,905 S *	6/2006	Lee .....	D11/81
9,045,201 B1 *	6/2015	Kuzmarskis .....	B32B 21/00
9,981,722 B2 *	5/2018	Carcamo .....	B63B 35/7946
2002/0031963 A1 *	3/2002	Mead .....	B29C 33/307
			441/74
2004/0132361 A1 *	7/2004	Dalton .....	B63B 1/34
			441/74

2008/0045097 A1 *	2/2008	Railey .....	B63B 35/7943
			441/74
2015/0024644 A1 *	1/2015	Hantz .....	B63B 35/7906
			441/74
2018/0127068 A1 *	5/2018	Rohrer .....	B63B 35/7933

**OTHER PUBLICATIONS**

Surfboard Wall Art Greg Noll Surfboards, posted Jan. 7, 2018, [retrieved Jun. 22, 2018]. Retrieved from Internet, <URL: http://kholina.info/wall-surfboards/wall-decor-surfboard-wall-art-home-decorations-surfboard-decor-surfboard-wall-art-home-decorations-ideas-greg-noll-surfboards/>.\*

(Continued)

*Primary Examiner* — Barbara Fox

*Assistant Examiner* — Kristin E Reed

(74) *Attorney, Agent, or Firm* — Russell D. Nugent; The Humphries Law Firm, P.C.

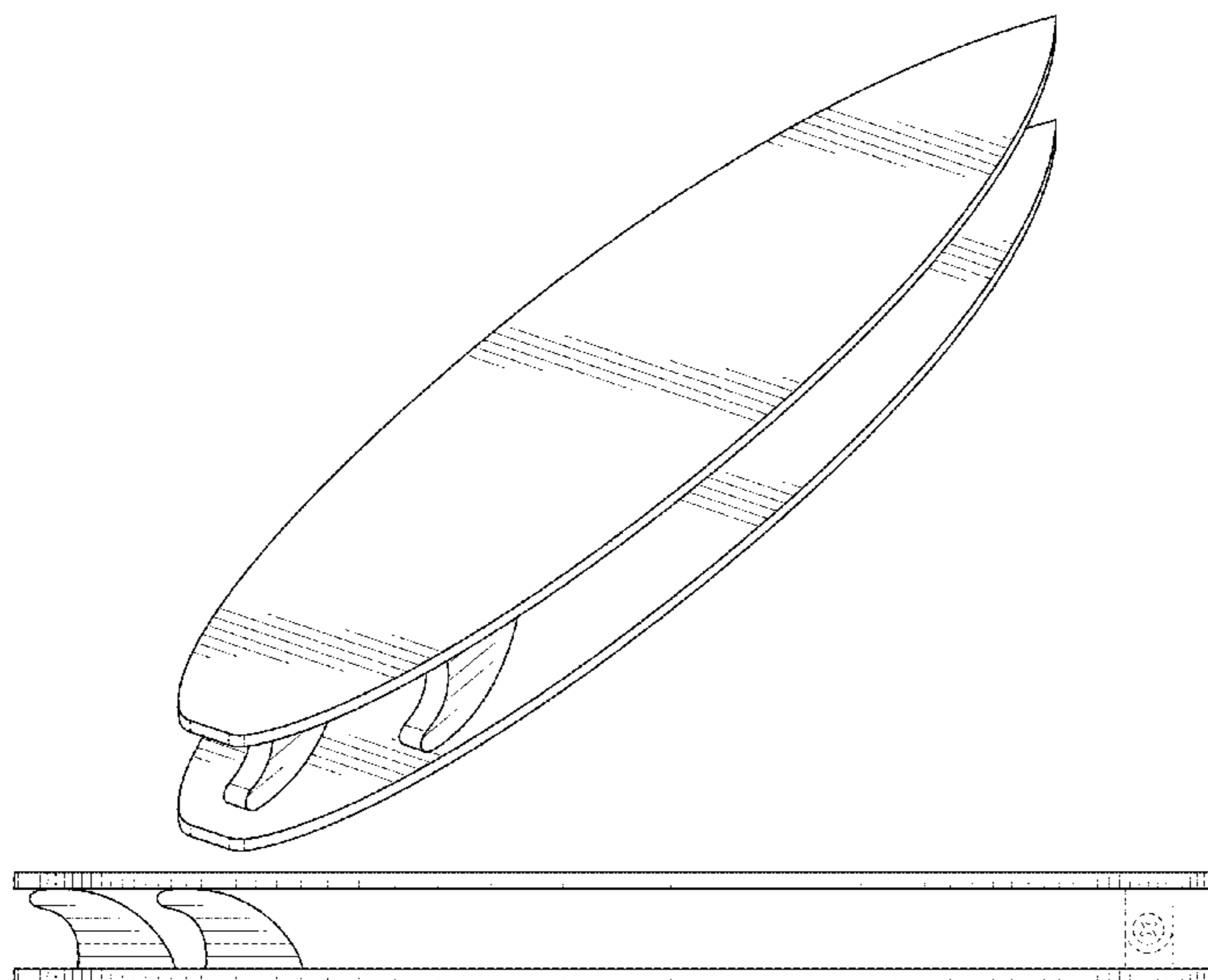
(57) **CLAIM**

The ornamental design for a door knocker, as shown and described.

**DESCRIPTION**

FIG. 1 is a top perspective view of a door knocker showing my new design;  
FIG. 2 is a rear elevational view thereof;  
FIG. 3 is a front elevational view thereof;  
FIG. 4 is a left elevational view thereof;  
FIG. 5 is a right elevational view thereof;  
FIG. 6 is a top plan view thereof;  
FIG. 7 is a bottom plan view thereof;  
FIG. 8 is a bottom perspective view thereof; and,  
FIG. 9 is a left, perspective view thereof.  
FIGS. 1 through 9 illustrate a door knocker. The broken lines shown in the figures depict portions of the door knocker that form no part of the claimed design.

**1 Claim, 6 Drawing Sheets**



(56)

**References Cited**

OTHER PUBLICATIONS

Surfboard Wall Decor, posted Apr. 30, 2018, [retrieved Jun. 22, 2018]. Retrieved from Internet, <URL: <http://thaiteacherstv.net/surfboard-wall-decor-2/> >.\*

Brass Accents Oval Traditional Push or Pull Plate—3×11 Inch, posted unknown, [retrieved Jun. 22, 2018]. Retrieved from Internet, <URL: [http://www.directdoorhardware.com/BA\\_Oval\\_Push\\_Plate.htm](http://www.directdoorhardware.com/BA_Oval_Push_Plate.htm) >.\*

Brass surfboard door knocker surk sport sea shell ocean—WorthPoint, posted Mar. 26, 2017, [retrieved Jul. 23, 2018]. Retrieved from Internet, <URL: <https://www.worthpoint.com/worthopedia/brass-surfboard-door-knocker-surf-503648638>.>

\* cited by examiner

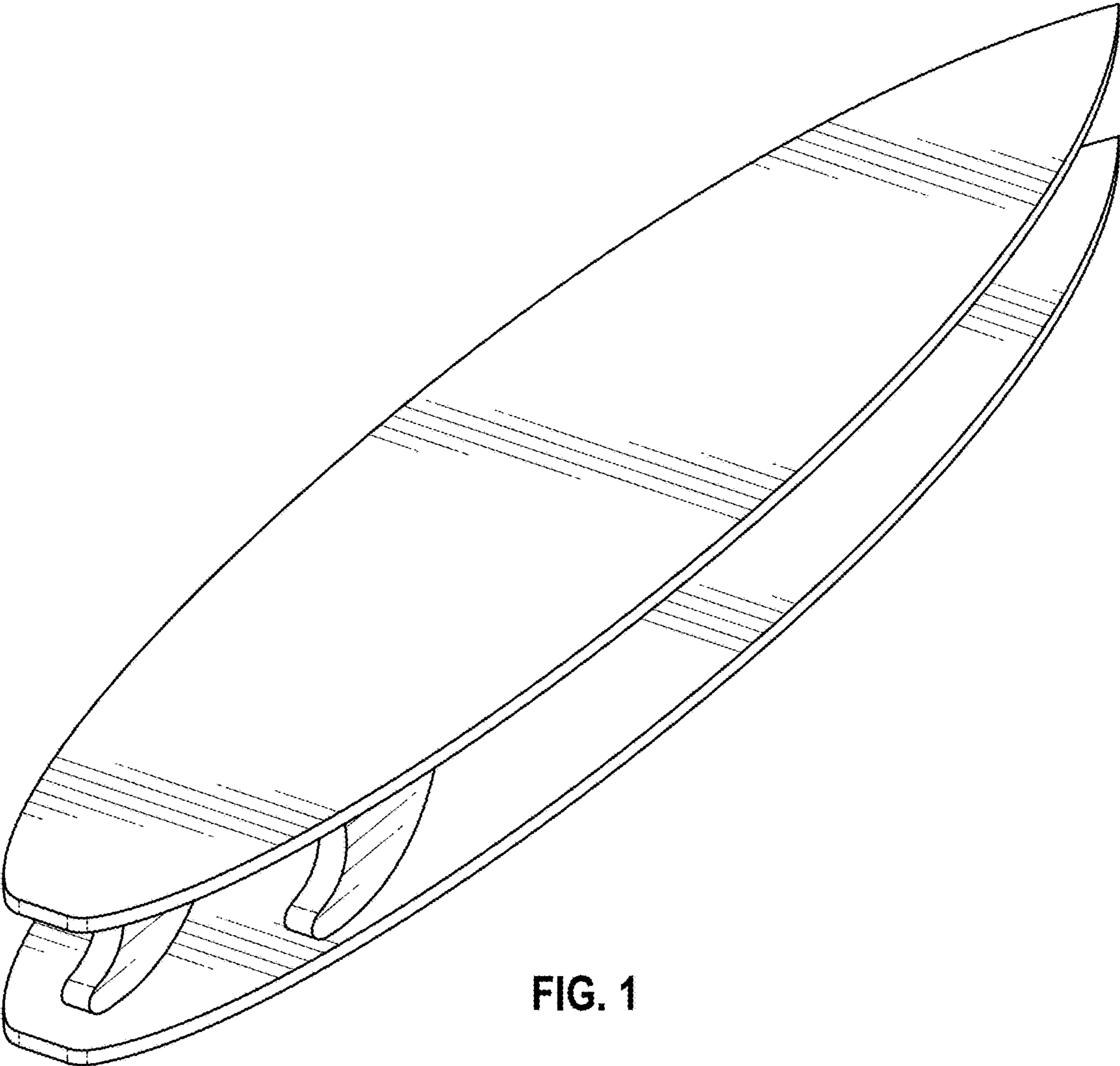


FIG. 1

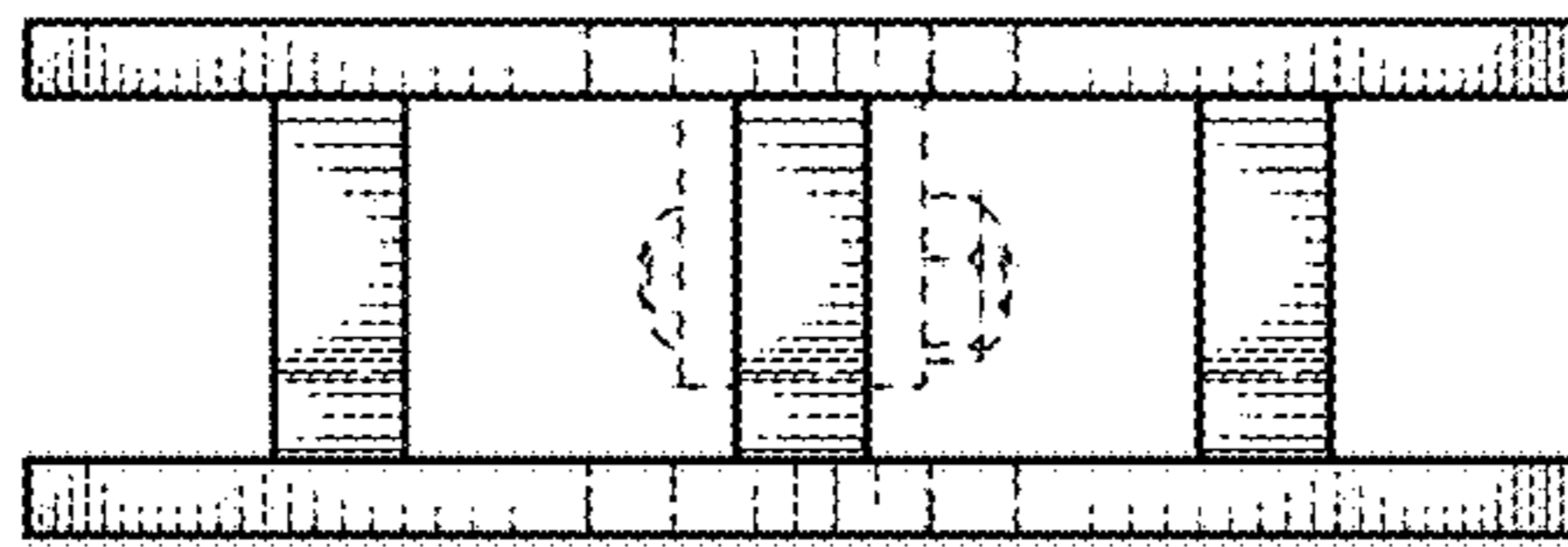


FIG. 2

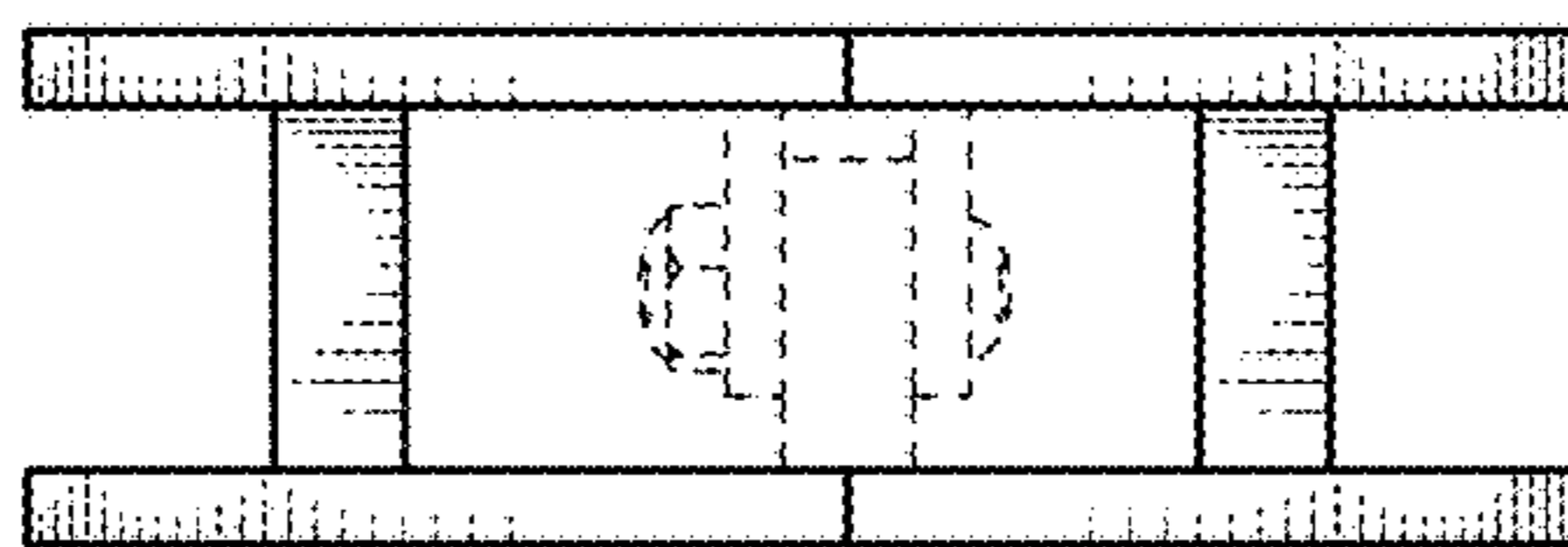


FIG. 3

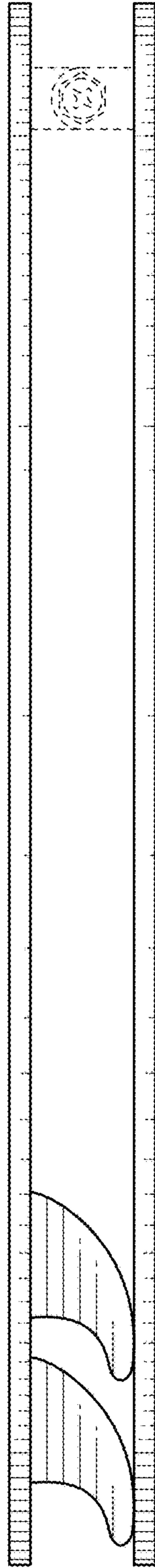


FIG. 4

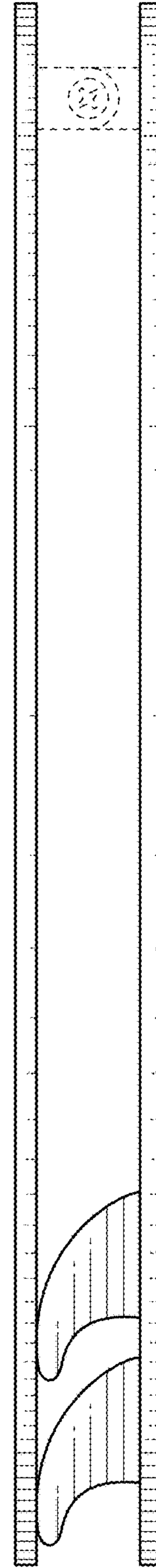


FIG. 5

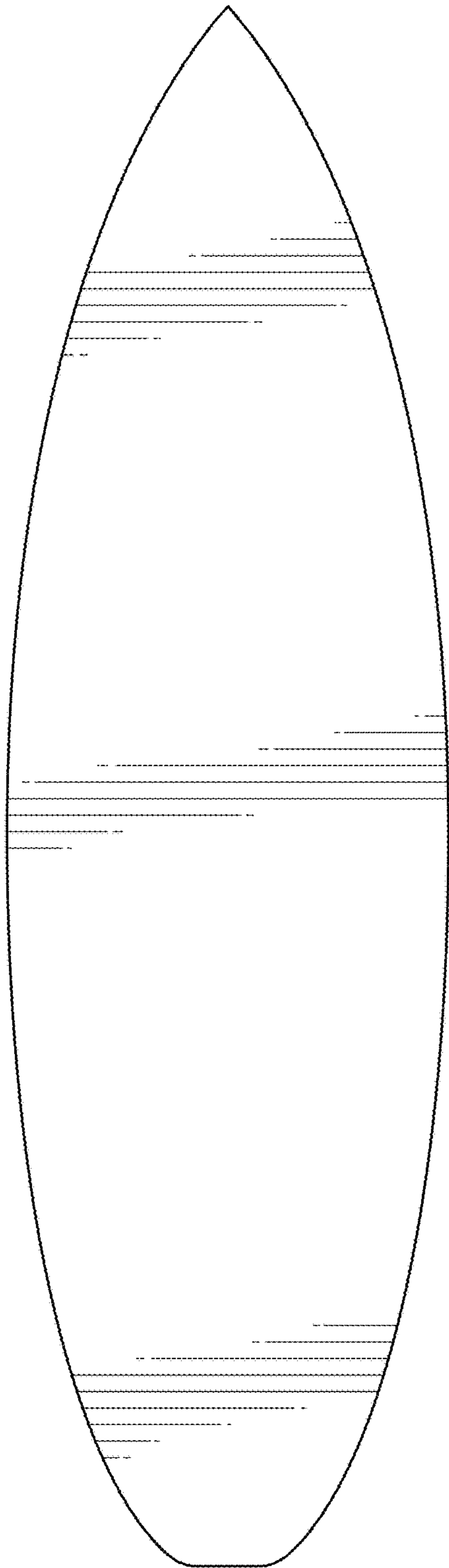


FIG. 6

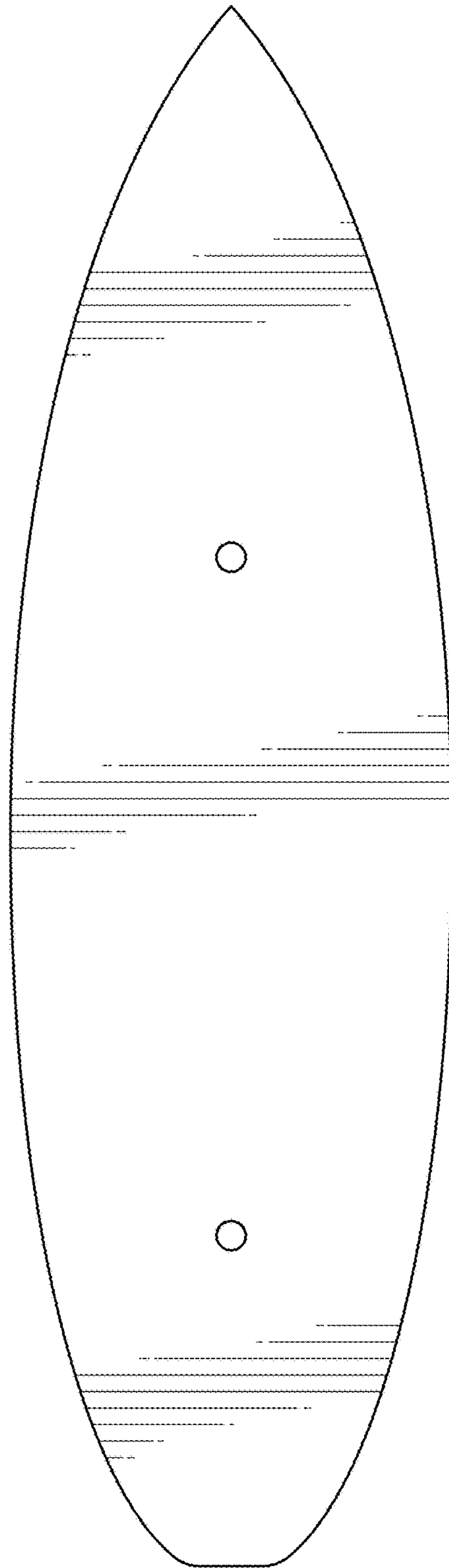


FIG. 7



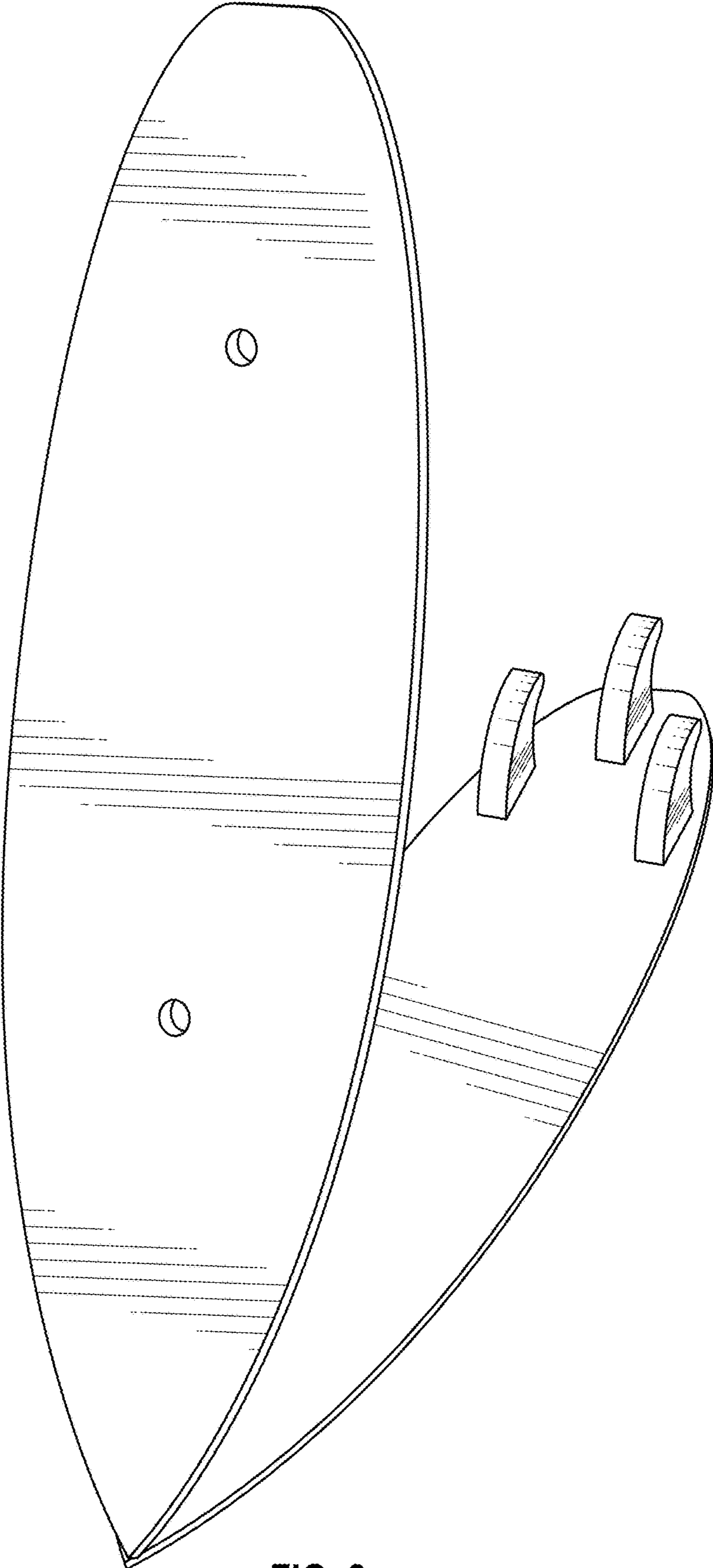


FIG. 8

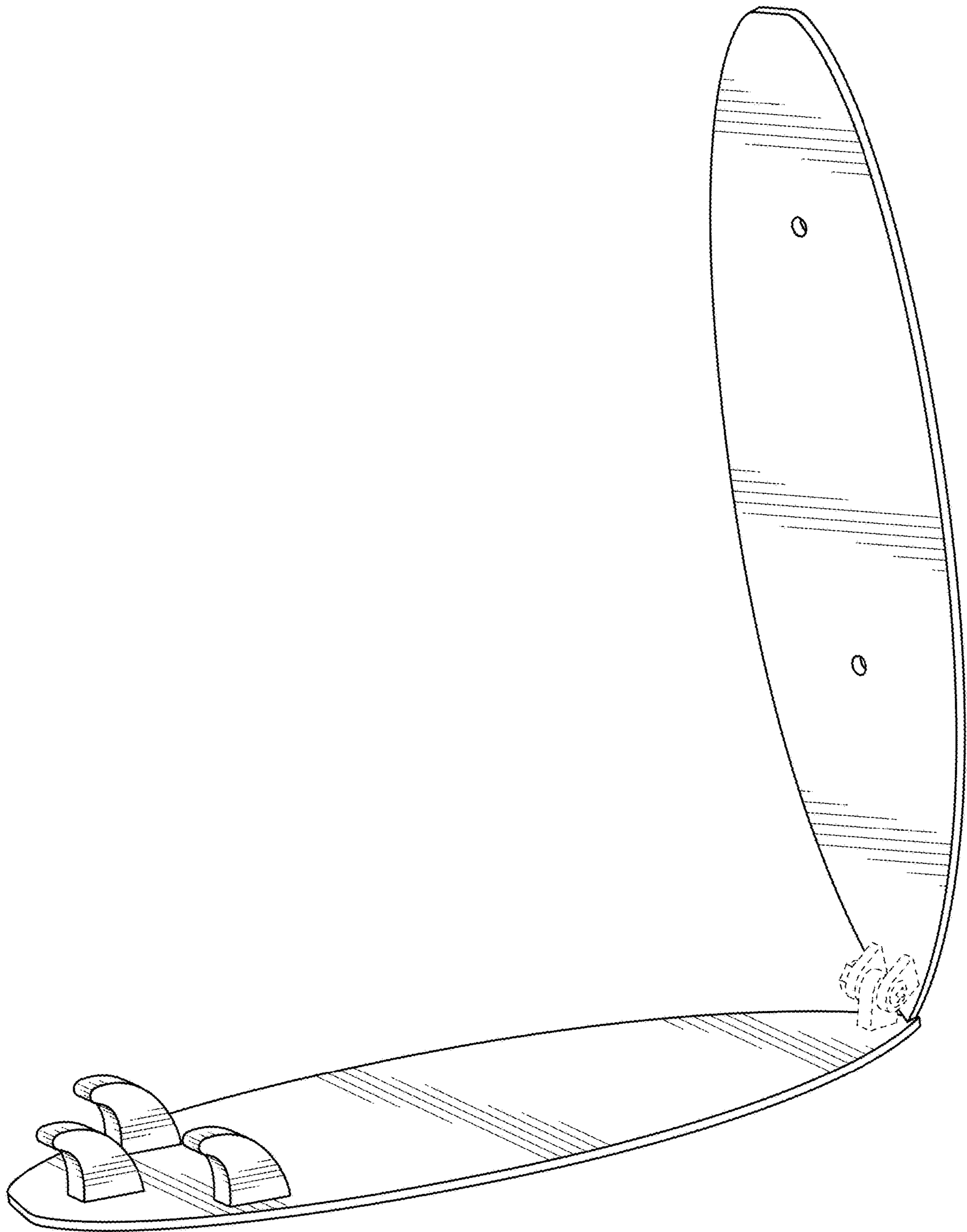


FIG. 9