



US00D834404S

(12) **United States Design Patent**
Pista et al.

(10) **Patent No.:** **US D834,404 S**

(45) **Date of Patent:** **** Nov. 27, 2018**

(54) **SCREW**

(71) Applicant: **Cisco Technology, Inc.**, San Jose, CA (US)

(72) Inventors: **Alex Pista**, San Jose, CA (US);
Michael Lenz, Lake Oswego, OR (US);
Paolo Sandro Trevisan, Miami, FL (US);
Francisco Barboza, Miami, FL (US)

(73) Assignee: **CISCO TECHNOLOGY, INC.**, San Jose, CA (US)

(**) Term: **15 Years**

(21) Appl. No.: **29/547,024**

(22) Filed: **Nov. 30, 2015**

(51) **LOC (11) Cl.** **08-08**

(52) **U.S. Cl.**
USPC **D8/387**; D8/312

(58) **Field of Classification Search**
USPC D8/387, 349, 382, 395, 499, 300, 307,
D8/321, 322, 311, 312; D9/434, 435,
D9/452, 453, 499
CPC F16B 41/002; F16B 5/0208; F16B 39/28;
Y10S 411/97; Y10S 411/999; B65D
41/02; B65D 41/04; B65D 59/00; B65D
59/06; A61J 1/00; A61J 1/03; B25B
23/00; B25B 23/005; B25B 23/0028;
B25F 5/001; B25G 1/046; B25G 3/38
See application file for complete search history.

(56) **References Cited**

U.S. PATENT DOCUMENTS

D268,650 S *	4/1983	Kirstine	D9/450
D268,905 S *	5/1983	Douglas	D9/453
D299,699 S *	2/1989	Ask	D9/453
D388,316 S *	12/1997	McDonough	D8/310
D551,958 S *	10/2007	Chen	D8/387

D736,358 S *	8/2015	Melo	D23/262
D757,546 S *	5/2016	Seifer	D9/453
D779,837 S *	2/2017	Lin	D6/312
D796,326 S *	9/2017	Ichikawa	D9/434
2005/0236425 A1 *	10/2005	Casale	B65D 5/748 222/83.5
2009/0317208 A1 *	12/2009	Wang	F16B 5/0208 411/353
2010/0088886 A1 *	4/2010	Wang	H05K 3/3447 29/840

(Continued)

Primary Examiner — Sandra S Snapp

Assistant Examiner — Ieisha N Price

(74) *Attorney, Agent, or Firm* — Polsinelli PC

(57) **CLAIM**

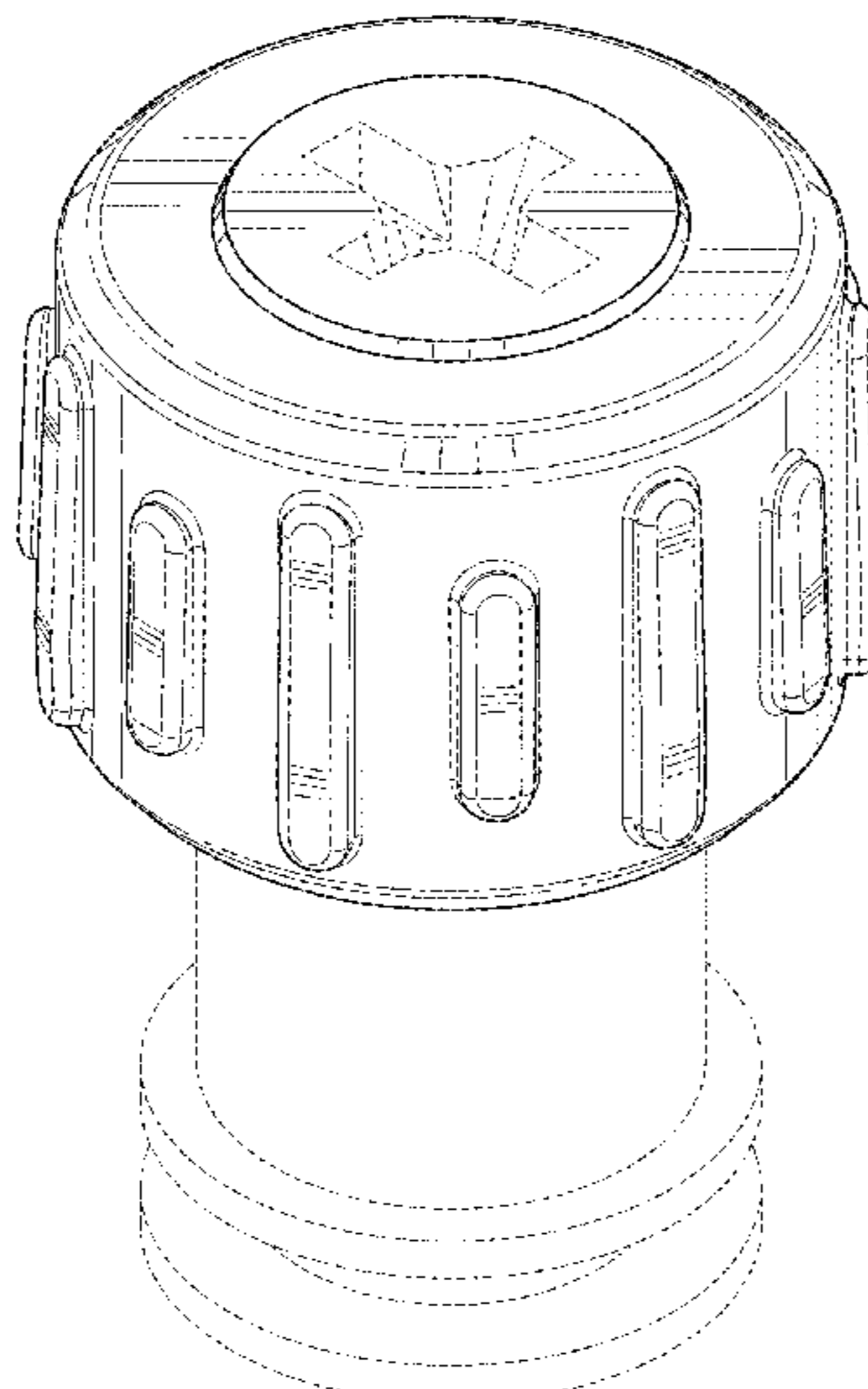
We claim the ornamental design for a screw, as shown and described.

DESCRIPTION

FIG. 1 is a perspective view of a first embodiment of a screw, showing our new design;
FIG. 2 is a top plan view thereof;
FIG. 3 is a bottom plan view thereof;
FIG. 4 is a front side elevational view thereof;
FIG. 5 is a rear side elevational view thereof;
FIG. 6 is a left elevational view thereof; and
FIG. 7 is a right elevational view thereof.
FIG. 8 is a perspective view of a second embodiment of the screw of FIG. 1, shown in an alternative environmental structure;
FIG. 9 is a top plan view thereof;
FIG. 10 is a bottom plan view thereof;
FIG. 11 is a front side elevational view thereof;
FIG. 12 is a rear side elevational view thereof;
FIG. 13 is a left elevational view thereof; and,
FIG. 14 is a right elevational view thereof.

Broken lines are for illustrating unclaimed portions of the screw; the broken lines form no part of the claimed design.

1 Claim, 14 Drawing Sheets



(56)

References Cited

U.S. PATENT DOCUMENTS

2011/0072630 A1* 3/2011 Bentrim F16B 5/0208
29/428
2014/0119850 A1* 5/2014 Bentrim F16B 29/00
411/22
2015/0260216 A1* 9/2015 Tseng F16B 39/02
411/103
2015/0292538 A1* 10/2015 He F16B 5/0208
411/166
2017/0074303 A1* 3/2017 Bowers F16B 5/0642

* cited by examiner

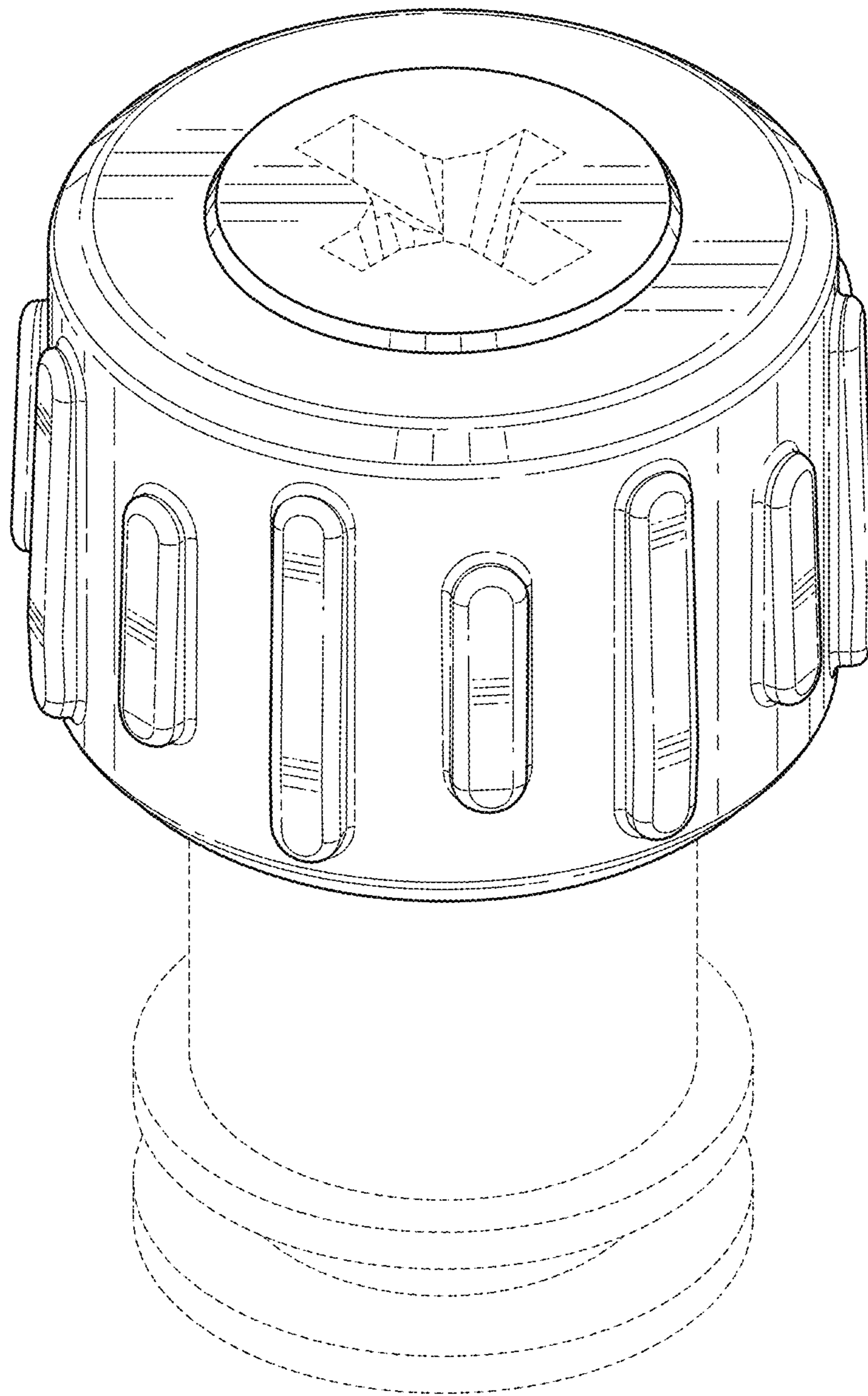


FIG. 1

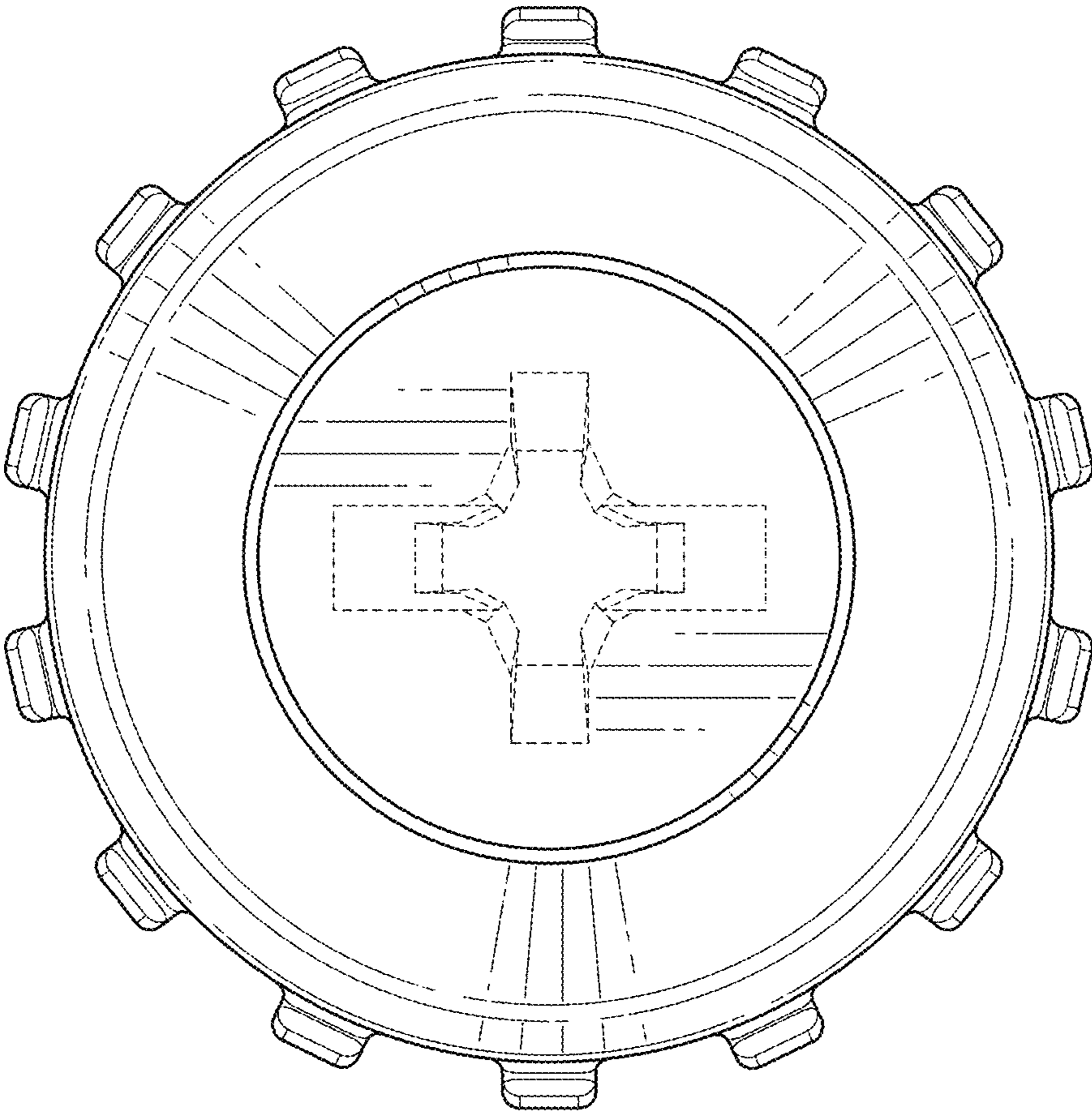


FIG. 2

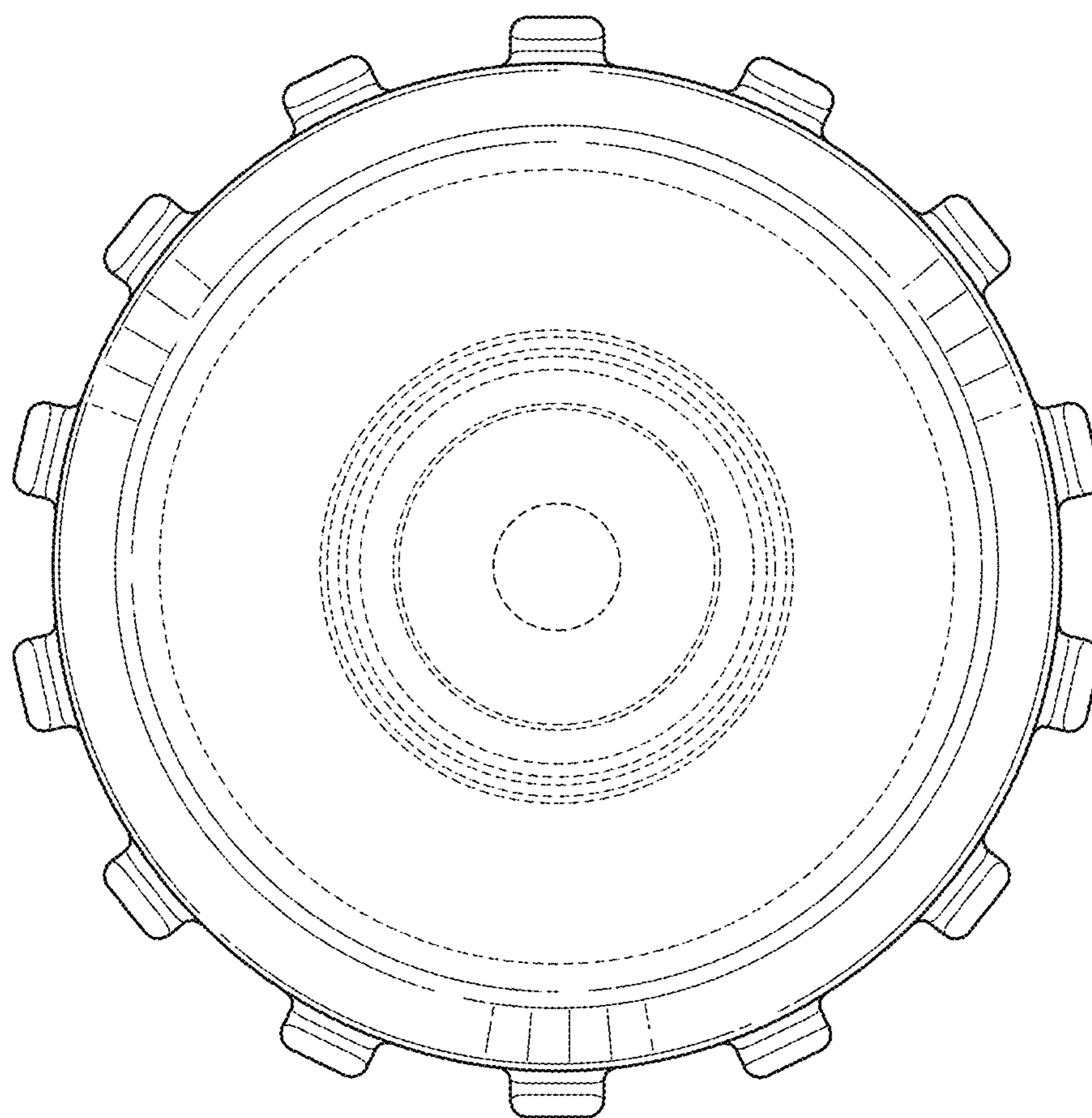


FIG. 3

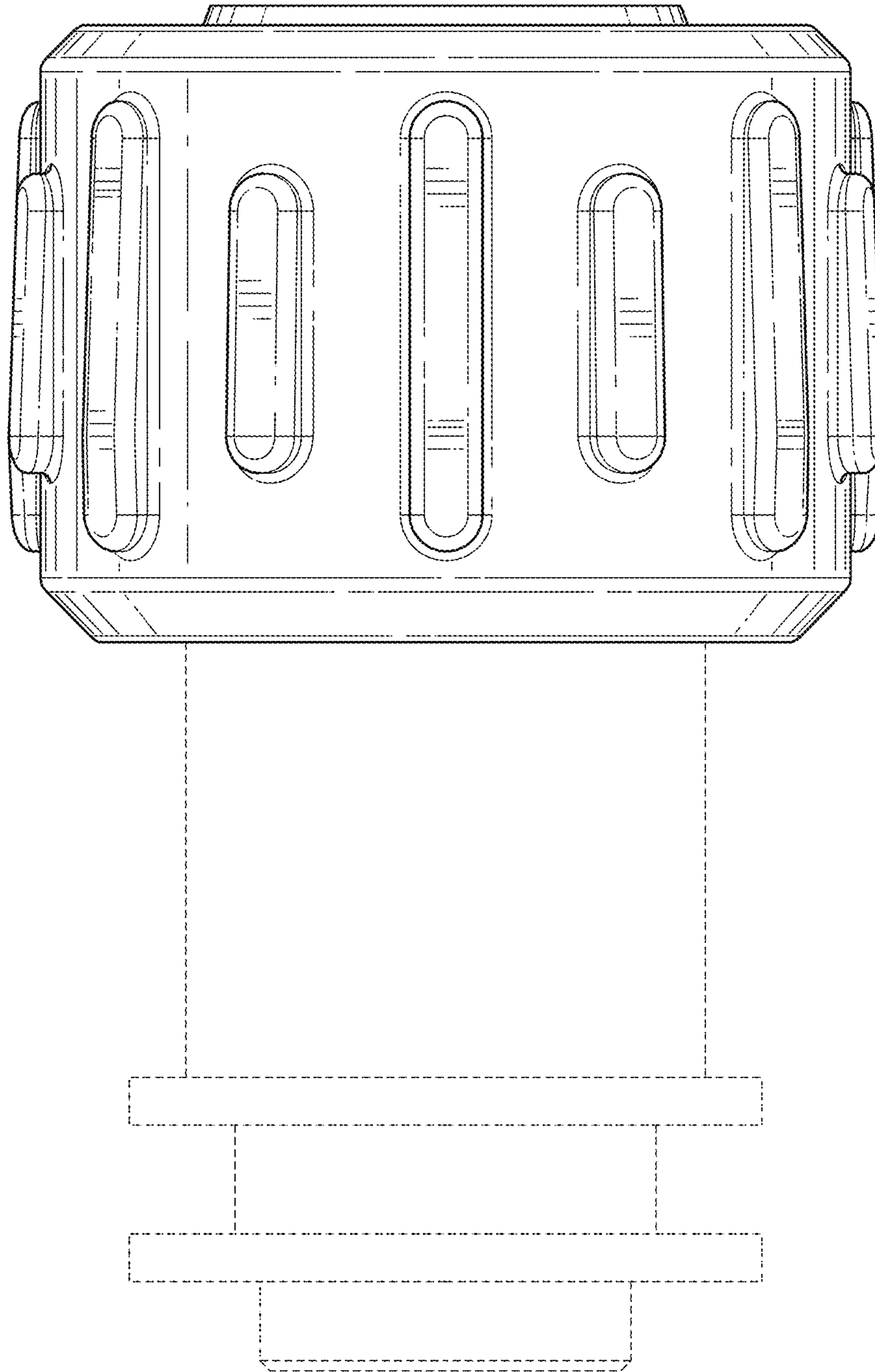


FIG. 4

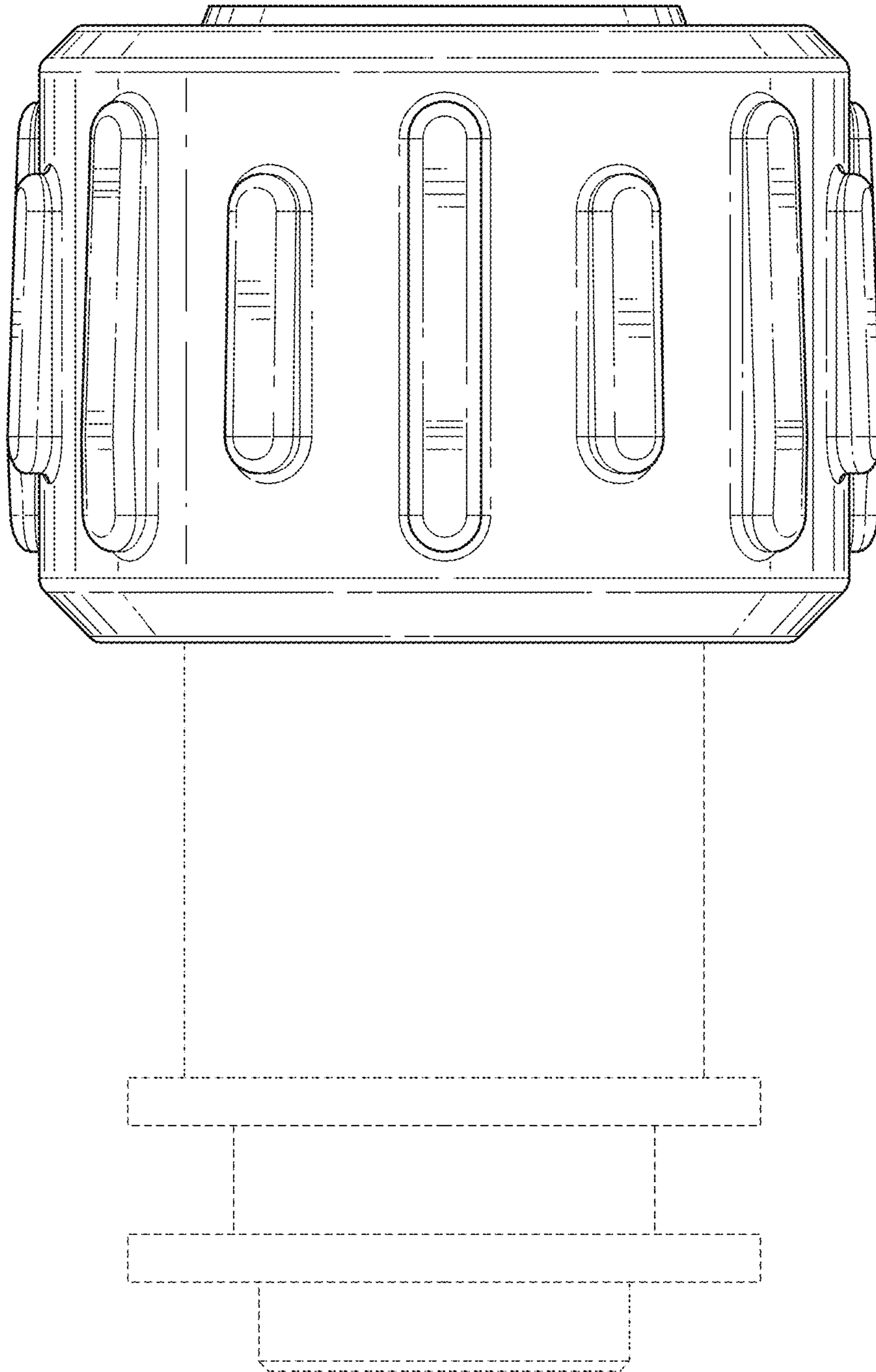


FIG. 5

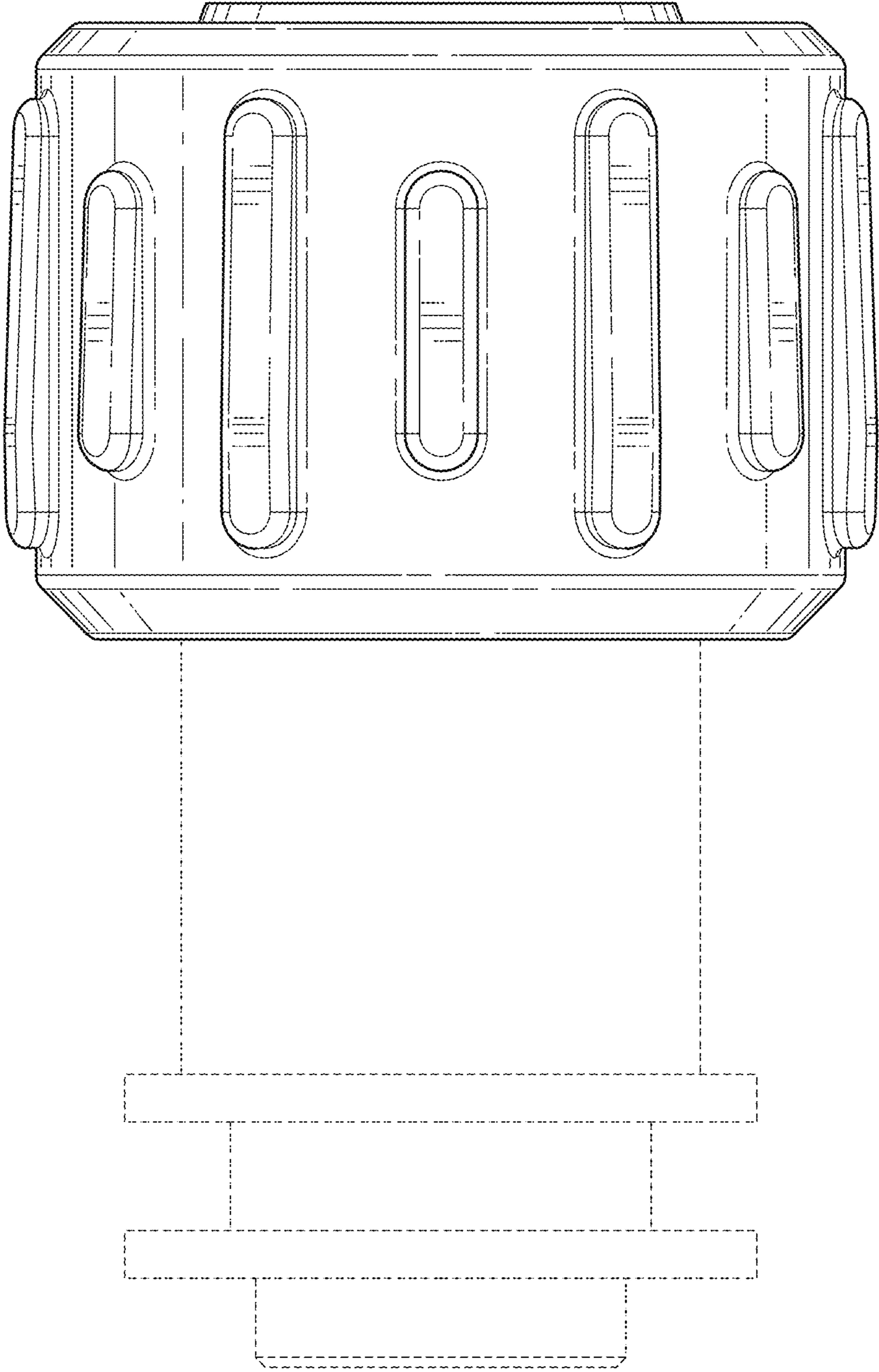


FIG. 6

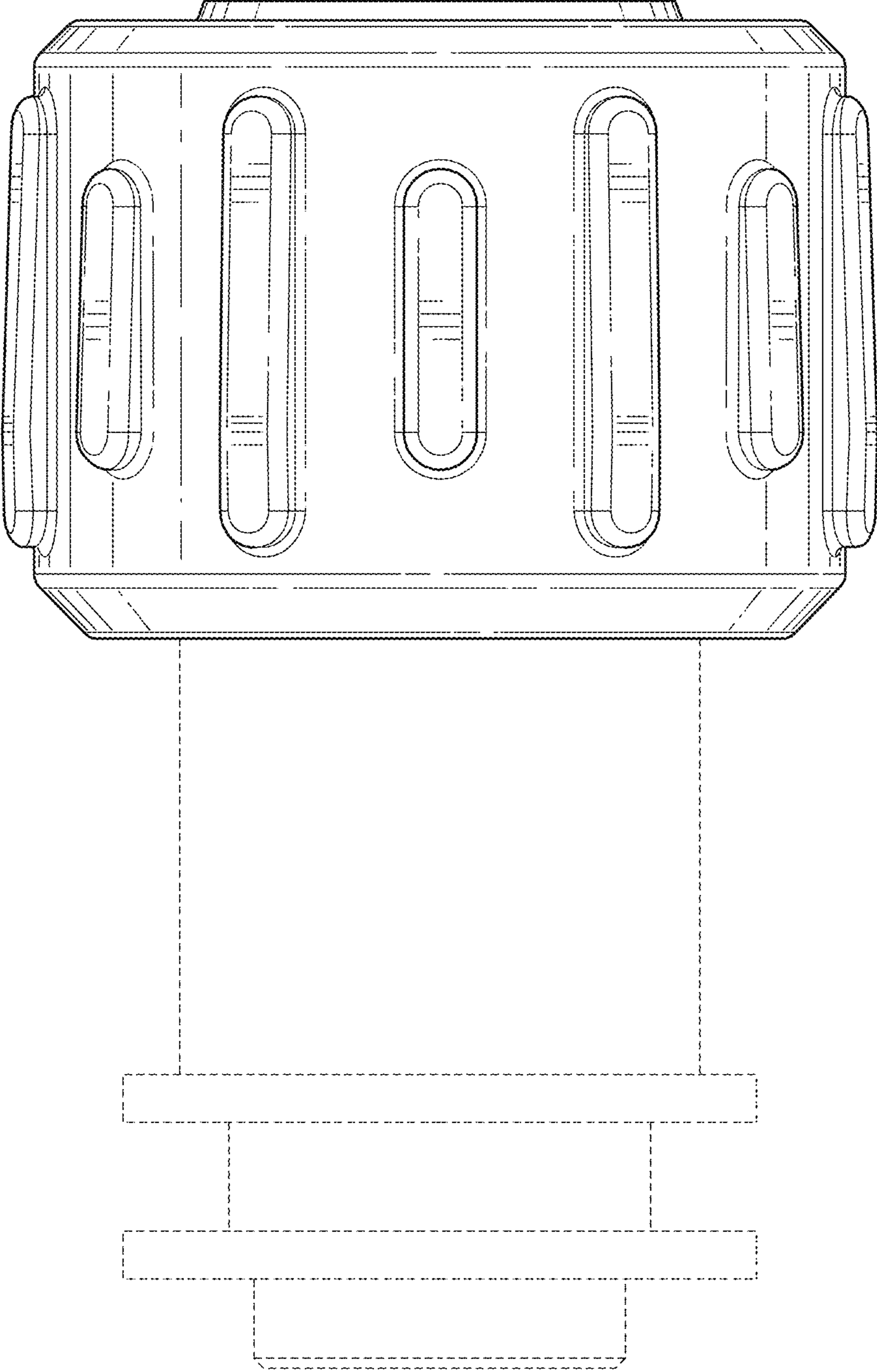


FIG. 7

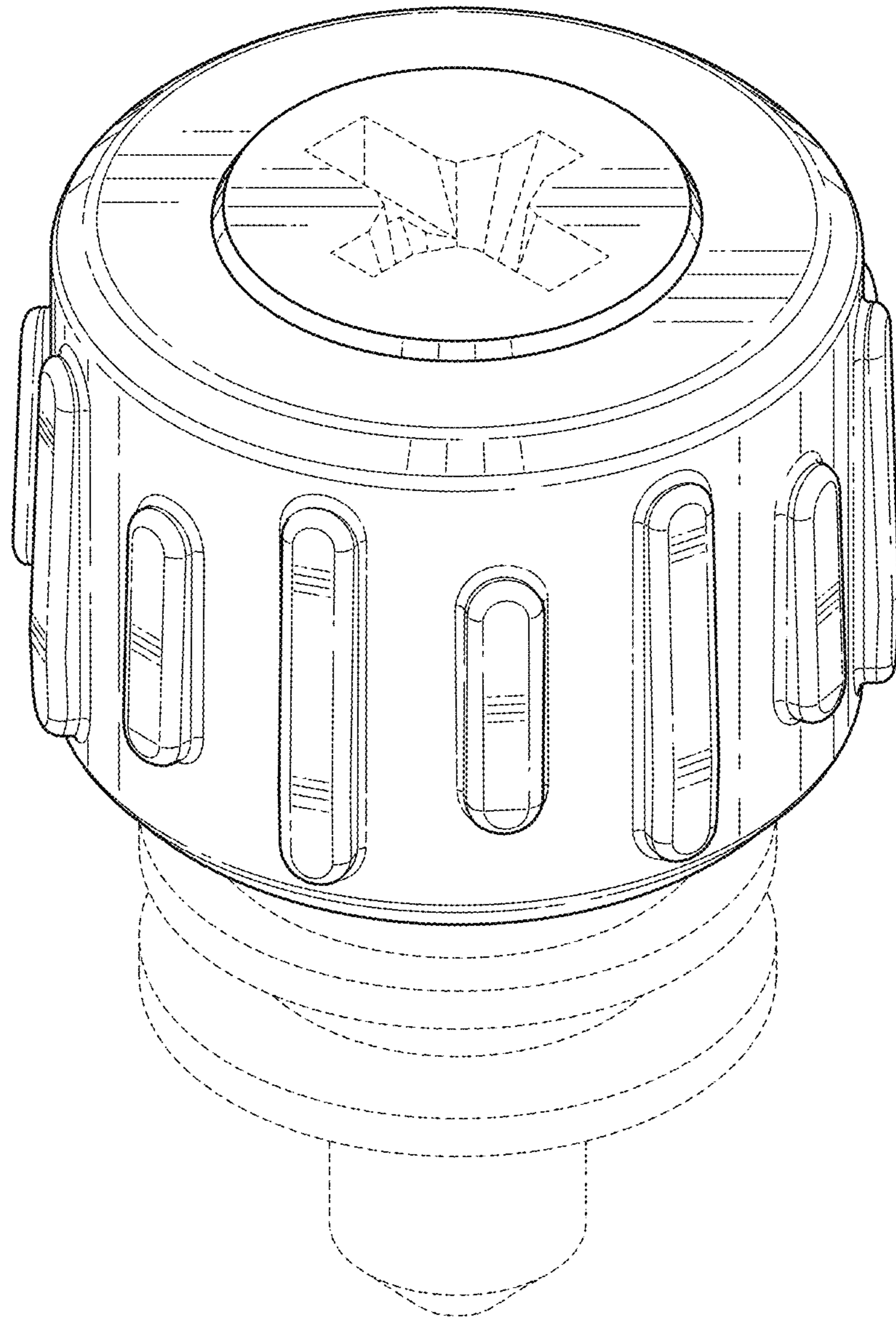


FIG. 8

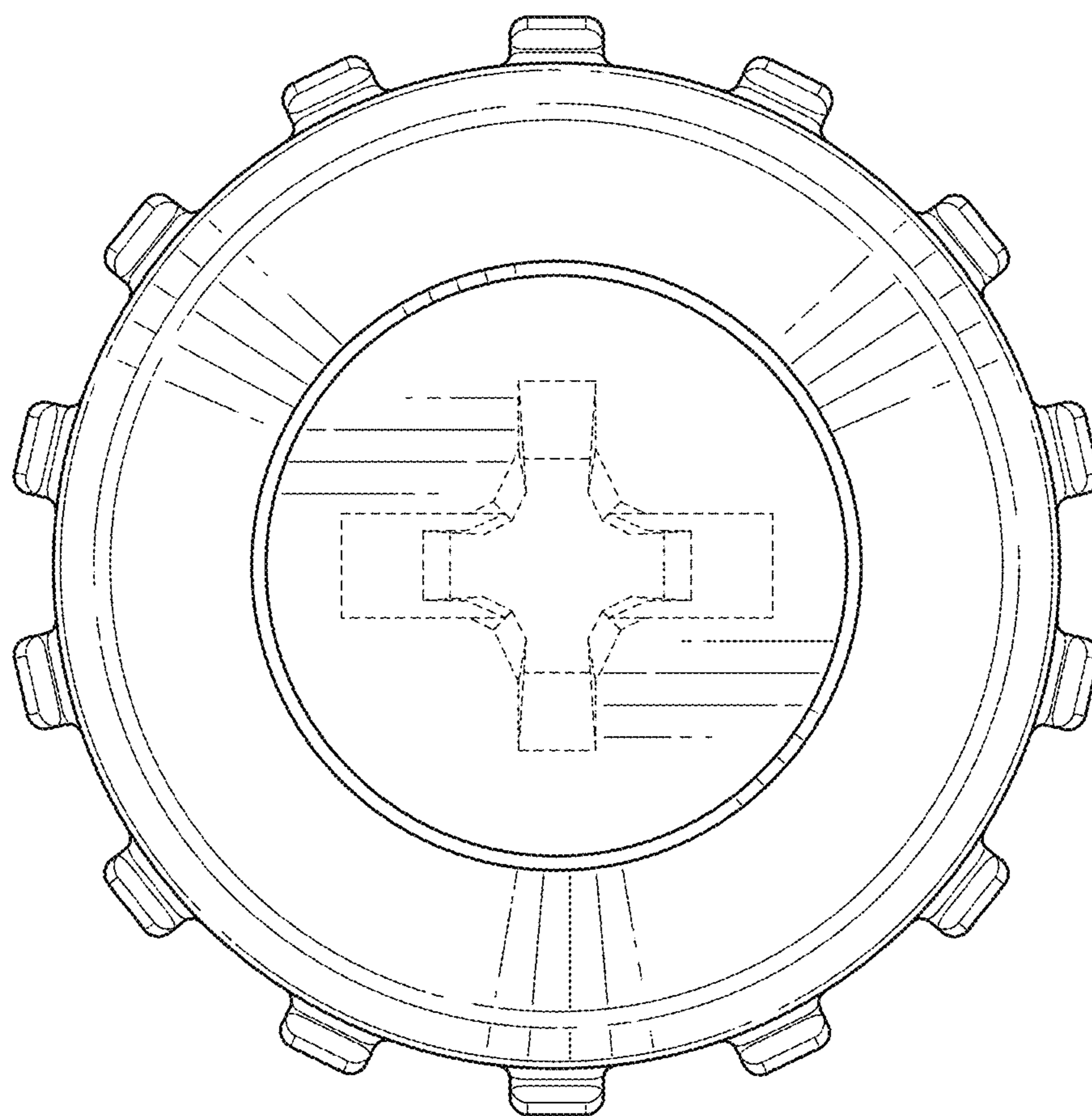


FIG. 9

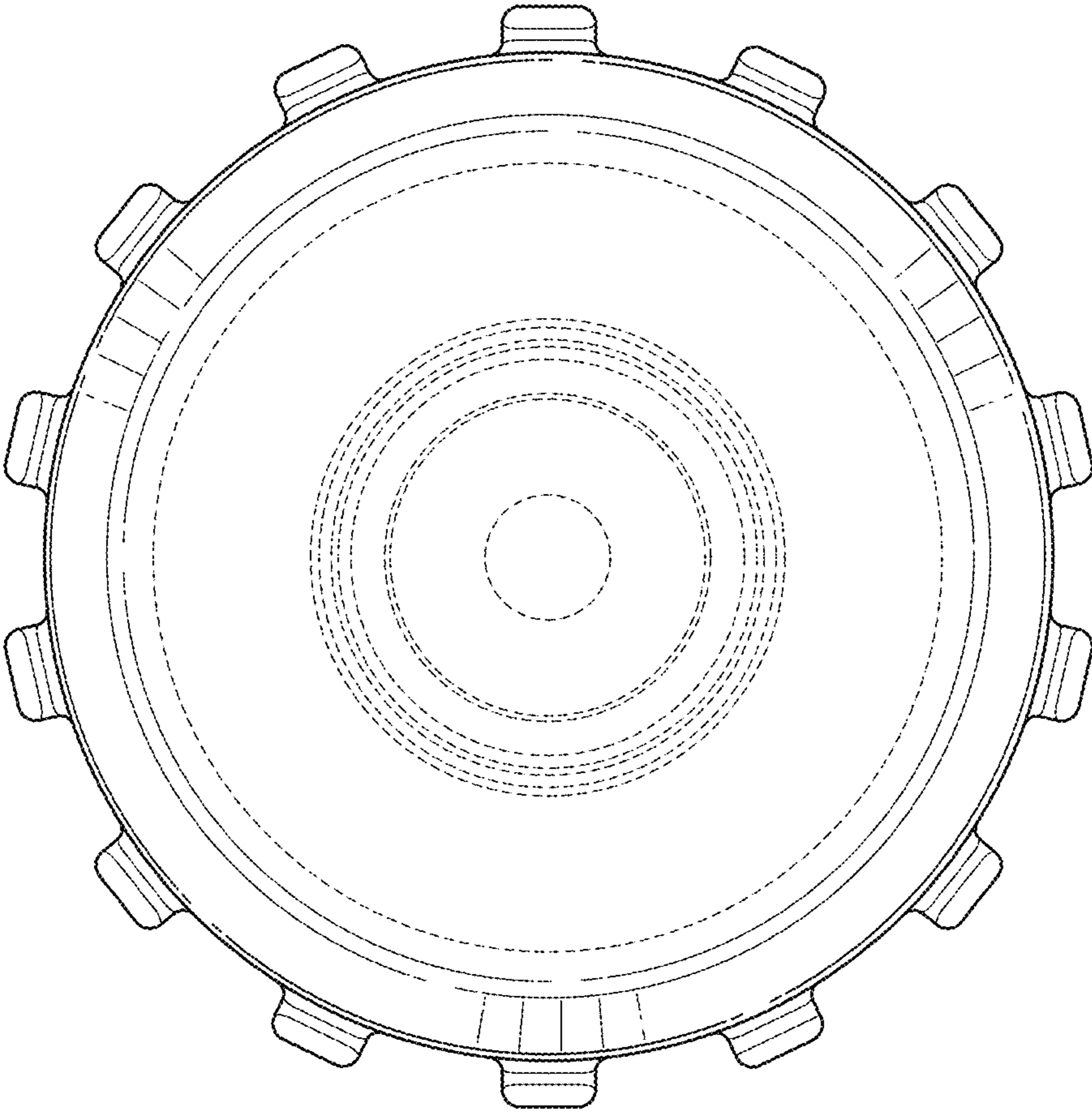


FIG. 10

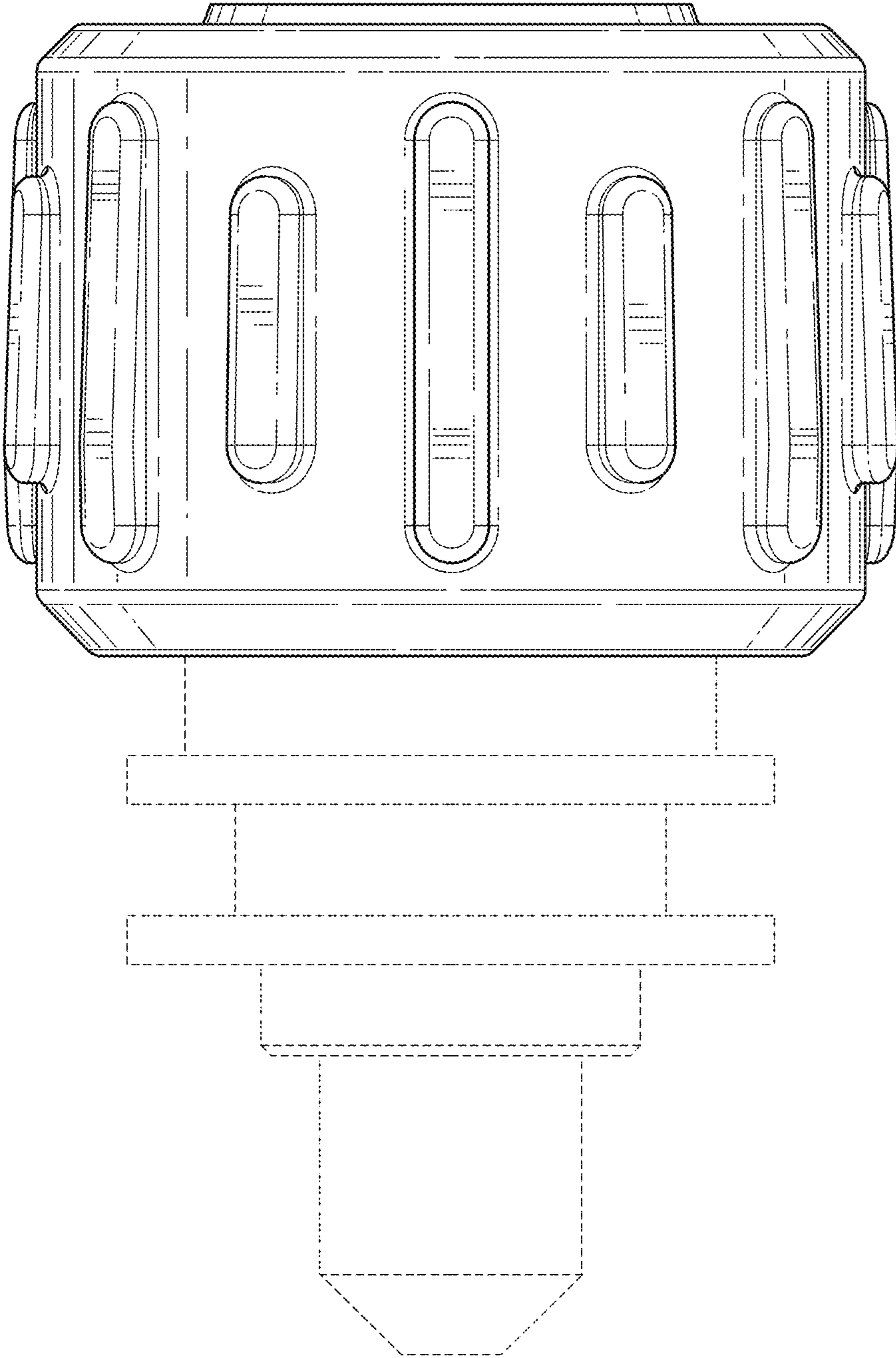


FIG. 11

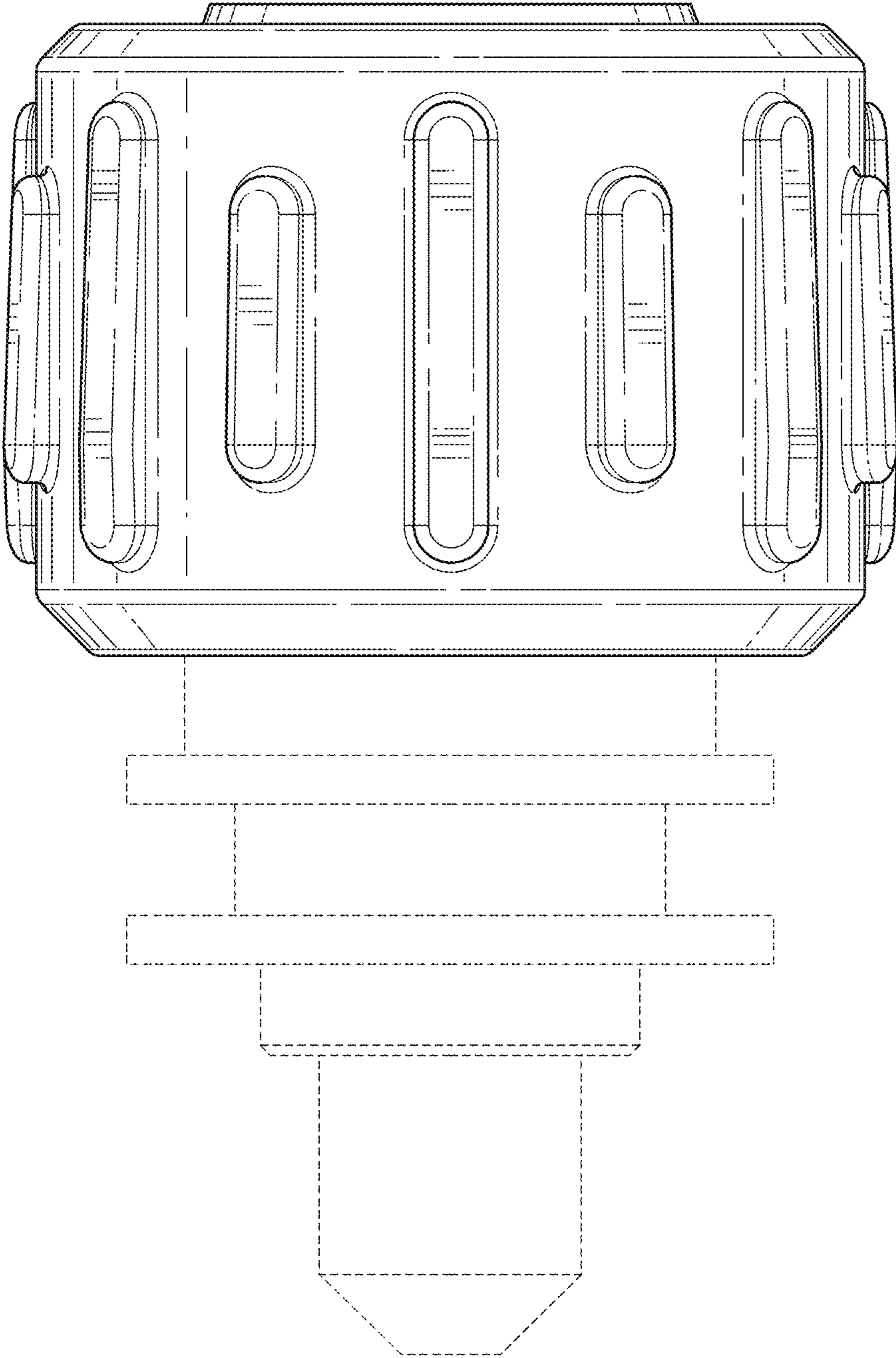


FIG. 12

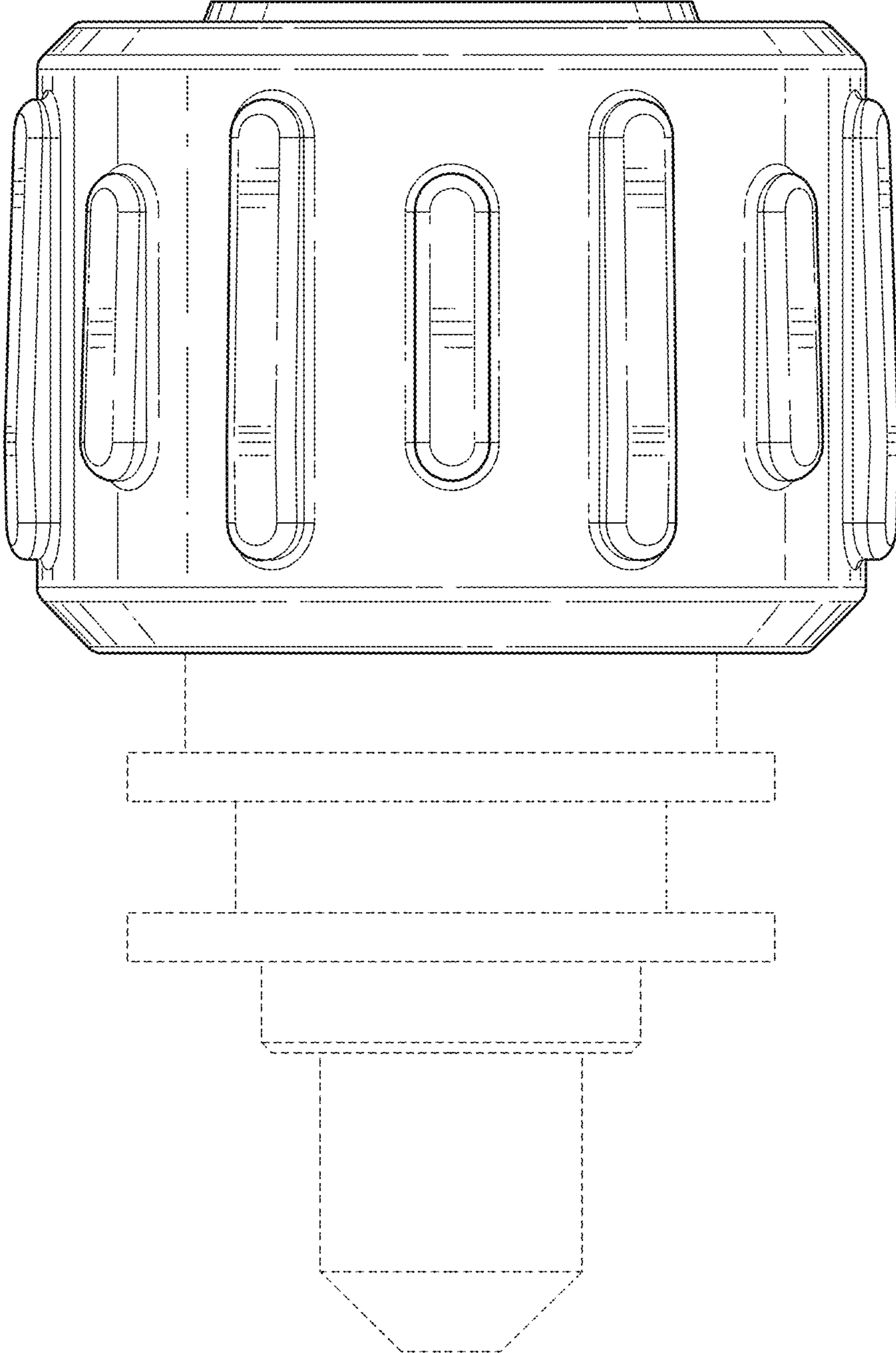


FIG. 13

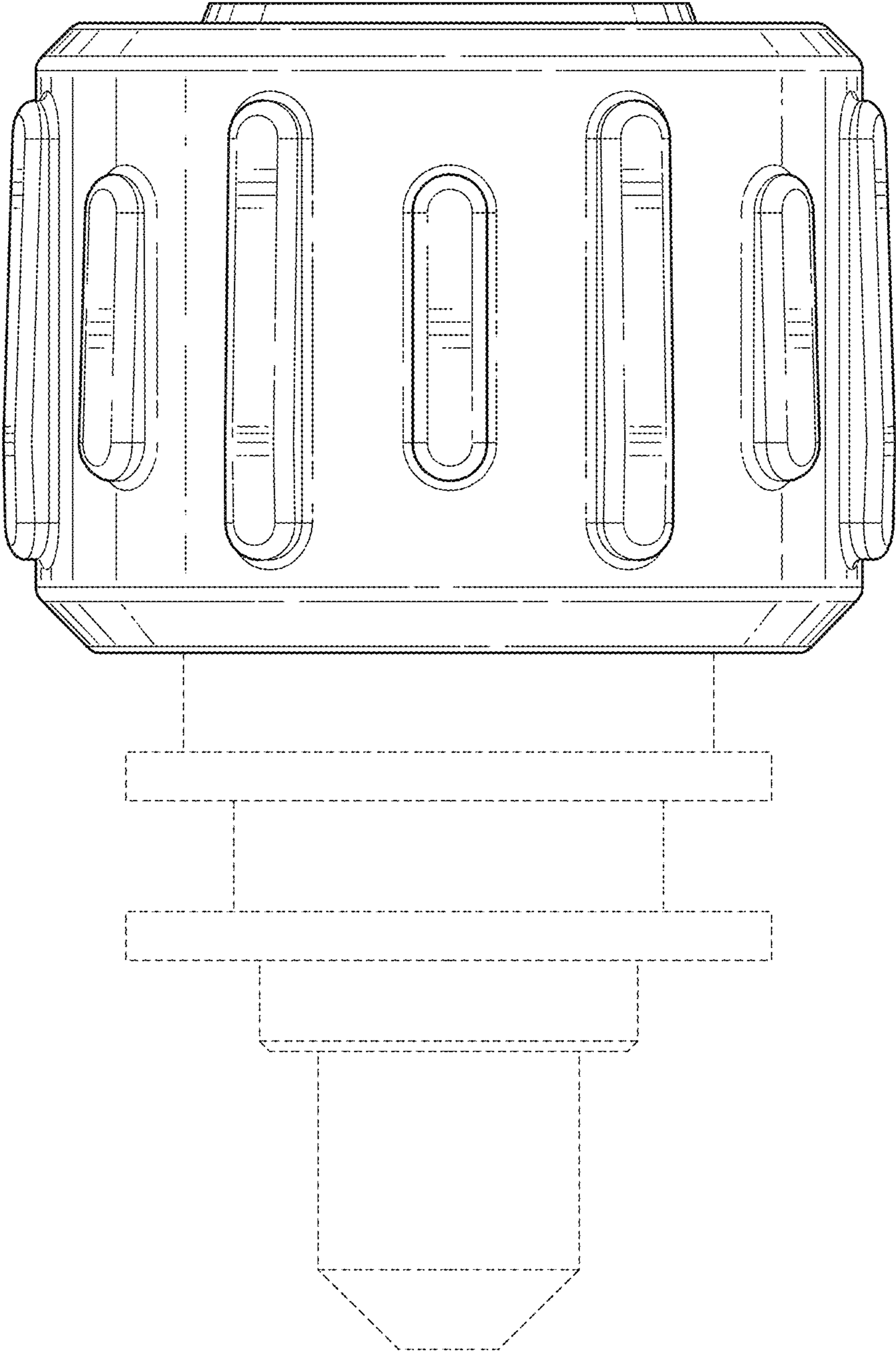


FIG. 14