



US00D834403S

(12) **United States Design Patent** (10) **Patent No.:** **US D834,403 S**  
**Mercieca** (45) **Date of Patent:** **\*\* Nov. 27, 2018**

(54) **CONNECTOR**  
(71) Applicant: **Oztent Australia Pty. Limited**,  
Wetherill Park, New South Wales (AU)  
(72) Inventor: **Chris Mercieca**, Wetherill Park (AU)  
(73) Assignee: **Oztent Australia Pty. Limited**, New  
South Wales (AU)  
(\*\*) Term: **15 Years**

D475,677 S \* 6/2003 Zucker ..... D12/223  
D492,577 S \* 7/2004 Shindo ..... D8/354  
6,811,132 B1 \* 11/2004 Ferdinand ..... F16C 11/10  
116/173  
D499,954 S \* 12/2004 Brushaber ..... D8/355  
D578,057 S \* 10/2008 Frenock ..... D11/182  
D629,285 S \* 12/2010 Gharst ..... D8/355  
7,861,982 B1 \* 1/2011 McClure ..... F16L 3/1075  
248/229.14  
D712,732 S \* 9/2014 Andrews ..... D8/396  
D747,182 S \* 1/2016 Brickzin ..... D8/363  
9,284,968 B2 \* 3/2016 Clouser ..... F16M 13/022

(Continued)

(21) Appl. No.: **29/586,680**  
(22) Filed: **Dec. 6, 2016**

*Primary Examiner* — Sandra S Snapp  
*Assistant Examiner* — Ieisha N Price  
(74) *Attorney, Agent, or Firm* — Dority & Manning, P.A.

(30) **Foreign Application Priority Data**

Jun. 9, 2016 (AU) ..... 201613144

(51) **LOC (11) Cl.** ..... **08-08**

(52) **U.S. Cl.**  
USPC ..... **D8/382**

(58) **Field of Classification Search**  
USPC ..... D8/14, 71, 72, 73, 106, 349, 354, 355,  
D8/382, 394, 396, 499; D3/10; D23/262  
CPC ..... F16M 13/02; F16M 13/022; F16L 3/1033;  
F16L 3/1016; F16L 3/105; F16L 3/1075;  
F16L 3/10  
See application file for complete search history.

(56) **References Cited**

**U.S. PATENT DOCUMENTS**

D306,396 S \* 3/1990 Brushaber ..... 114/230.11  
5,478,041 A \* 12/1995 Mayne ..... A45B 11/00  
248/231.51  
D396,185 S \* 7/1998 Fraser ..... D3/10  
D422,885 S \* 4/2000 Marino ..... D8/354  
D436,842 S \* 1/2001 Anderson ..... D8/382  
D470,400 S \* 2/2003 Fraser ..... D8/396  
D473,129 S \* 4/2003 Warner ..... D8/396

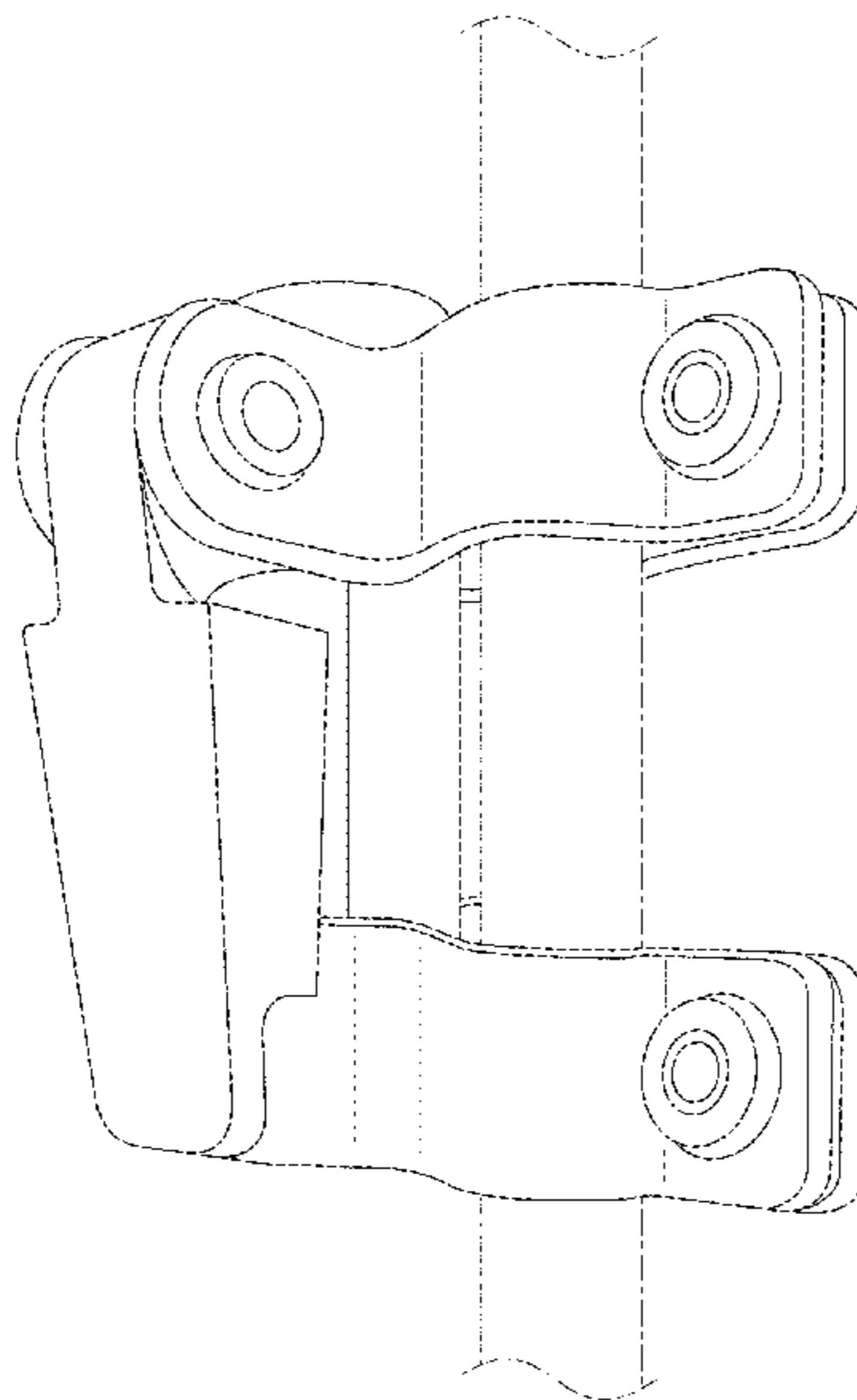
(57) **CLAIM**

The ornamental design for a connector, as shown and described.

**DESCRIPTION**

FIG. 1 is a top view of a connector according to the present design.  
FIG. 2 is a side view of a connector of the design of FIG. 1.  
FIG. 3 is a front view of a connector of the design of FIG. 1.  
FIG. 4 is a bottom view of a connector of the design of FIG. 1.  
FIG. 5 is a side view of a connector of the design of FIG. 1.  
FIG. 6 is a rear view of a connector of the design of FIG. 1.  
FIG. 7 is a first perspective view of a connector of the design of FIG. 1 in a closed configuration; and,  
FIG. 8 is a second perspective view of a connector of the design of FIG. 1 in an open configuration.  
The broken line showing in FIG. 7 and FIG. 8 illustrates the environment of the claimed design and forms no part thereof.

**1 Claim, 4 Drawing Sheets**



(56)

**References Cited**

U.S. PATENT DOCUMENTS

D754,522 S \* 4/2016 Wicken ..... D8/349  
9,476,541 B1 \* 10/2016 Kastner ..... F16M 13/02  
2016/0290532 A1 \* 10/2016 Defrance ..... F16L 3/1075

\* cited by examiner

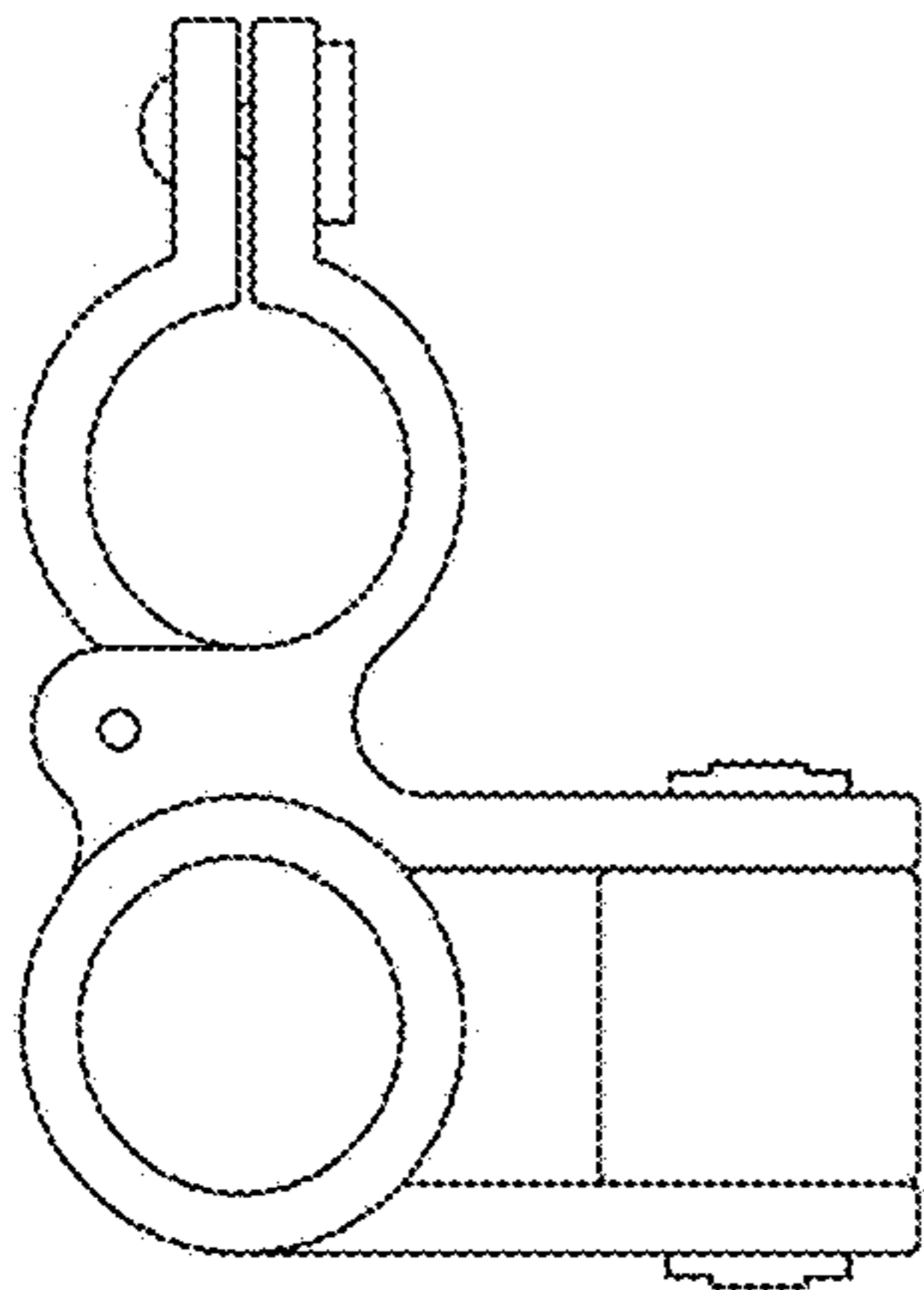


FIG. 1

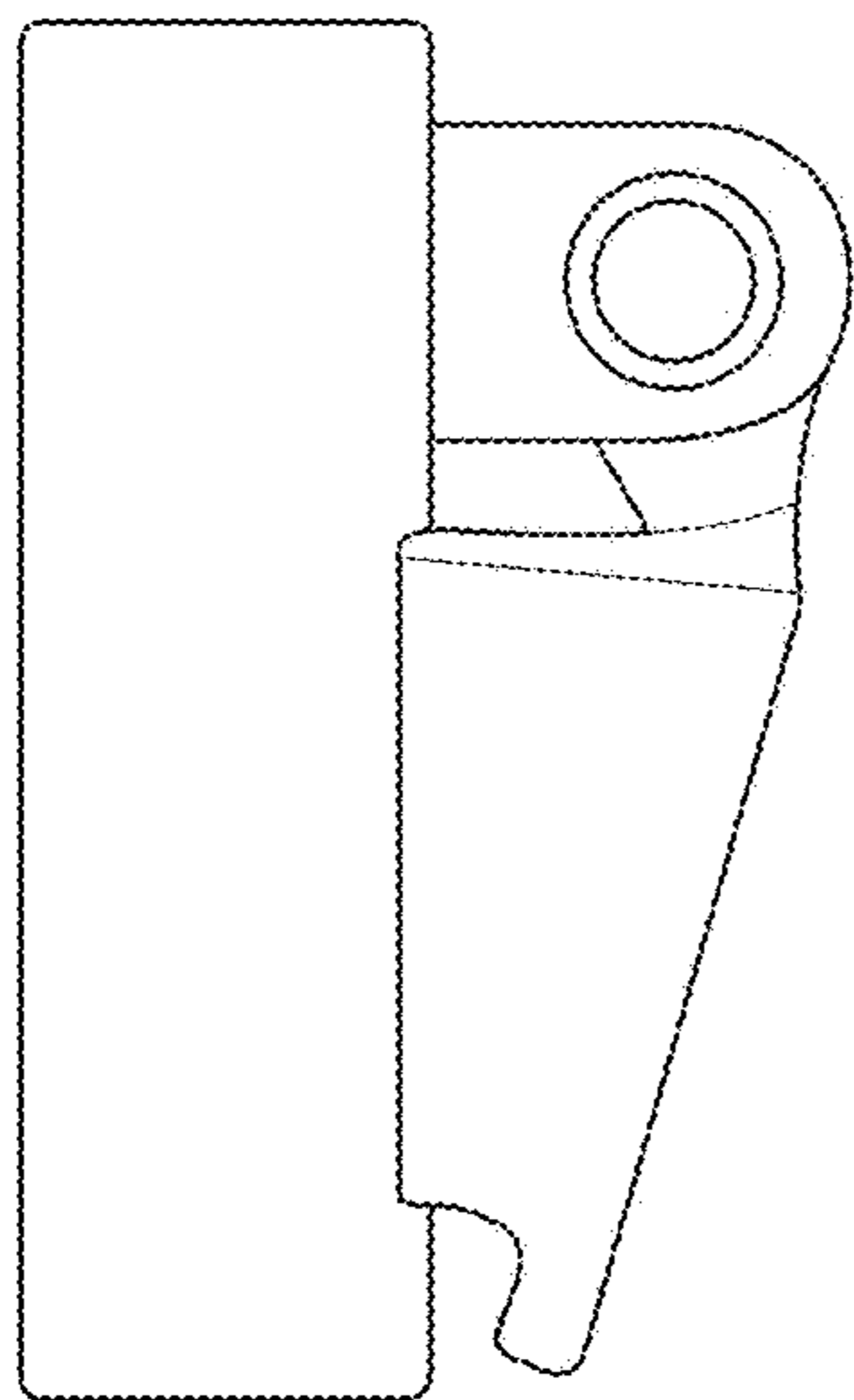


FIG. 2

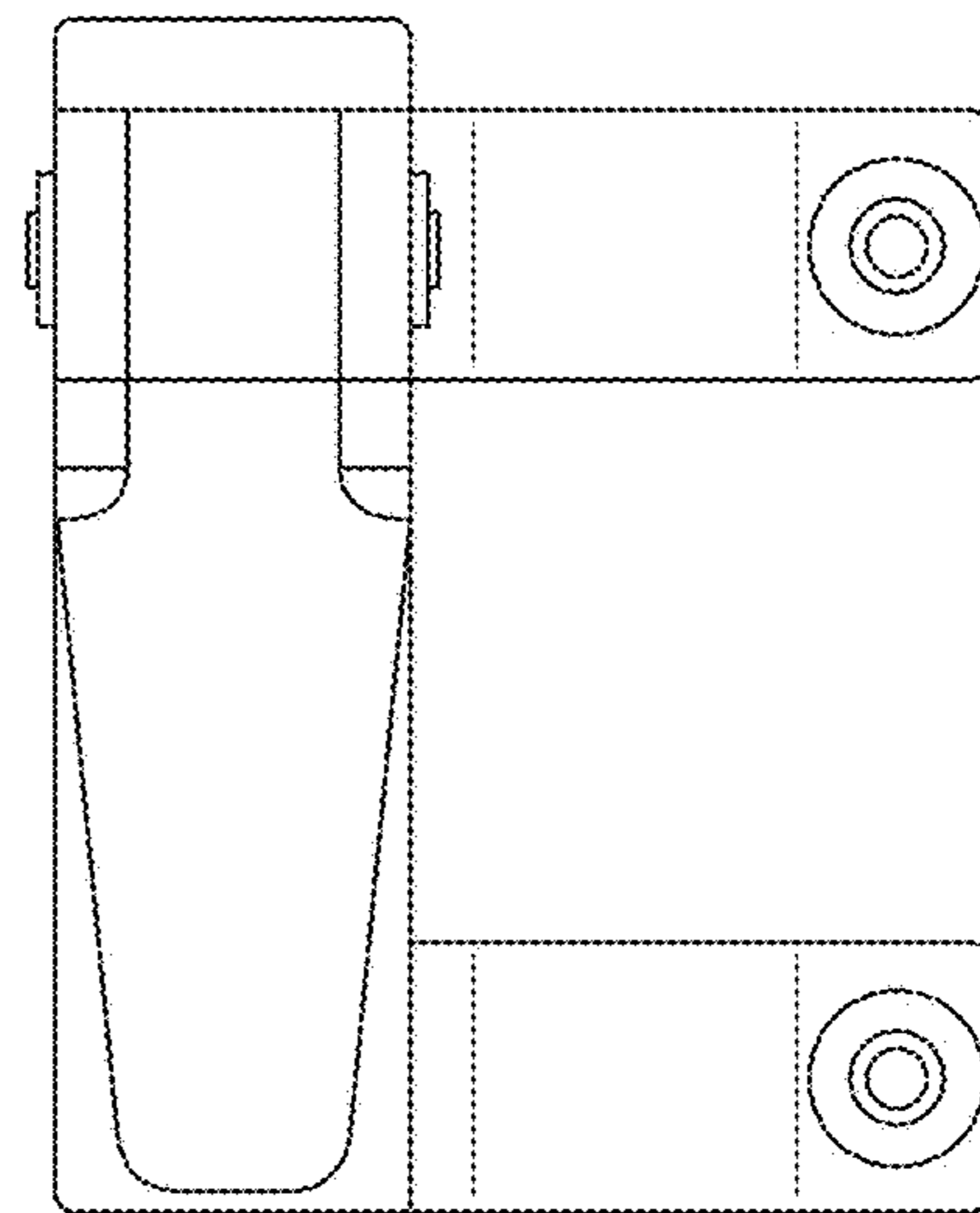


FIG. 3

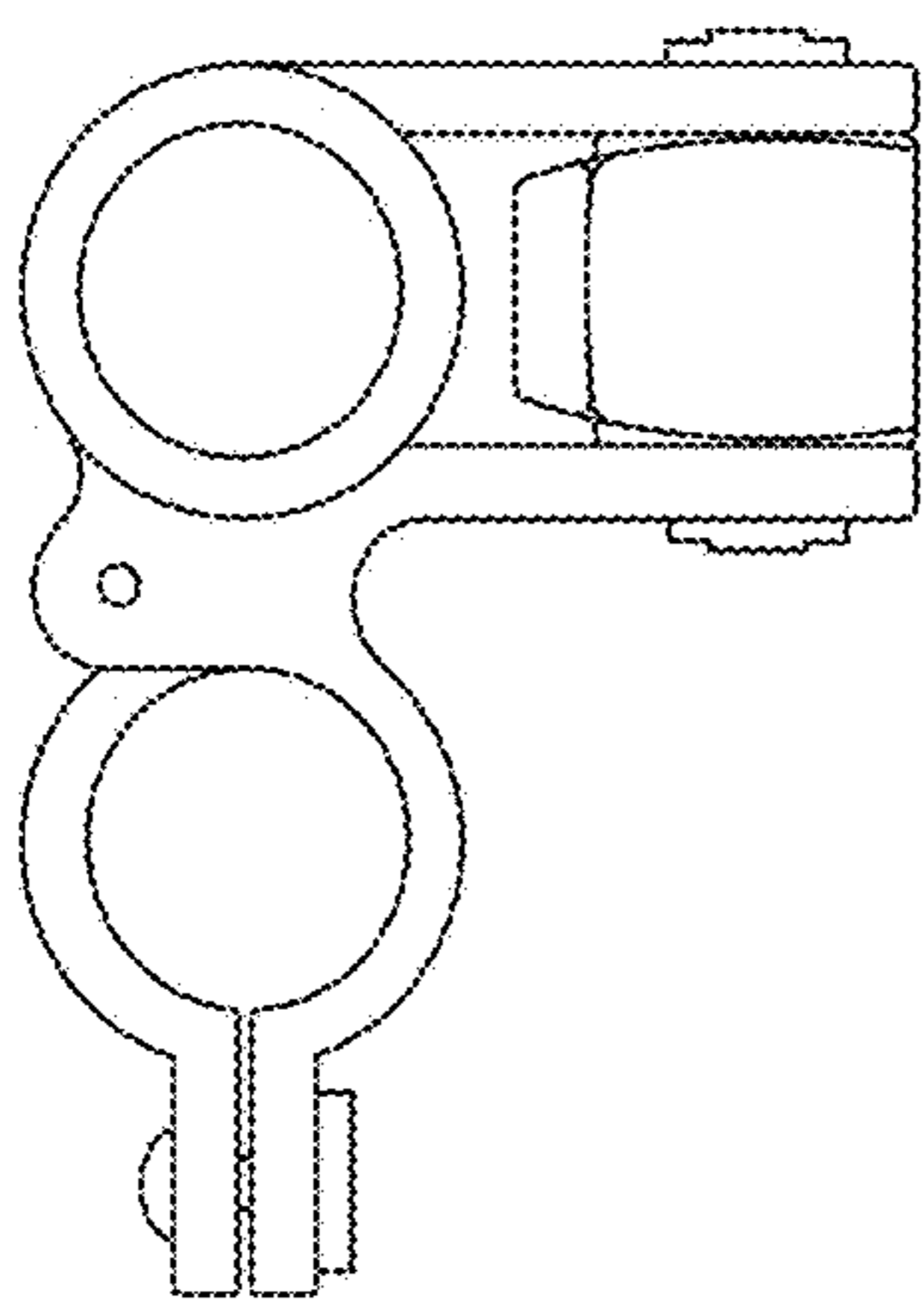


FIG. 4

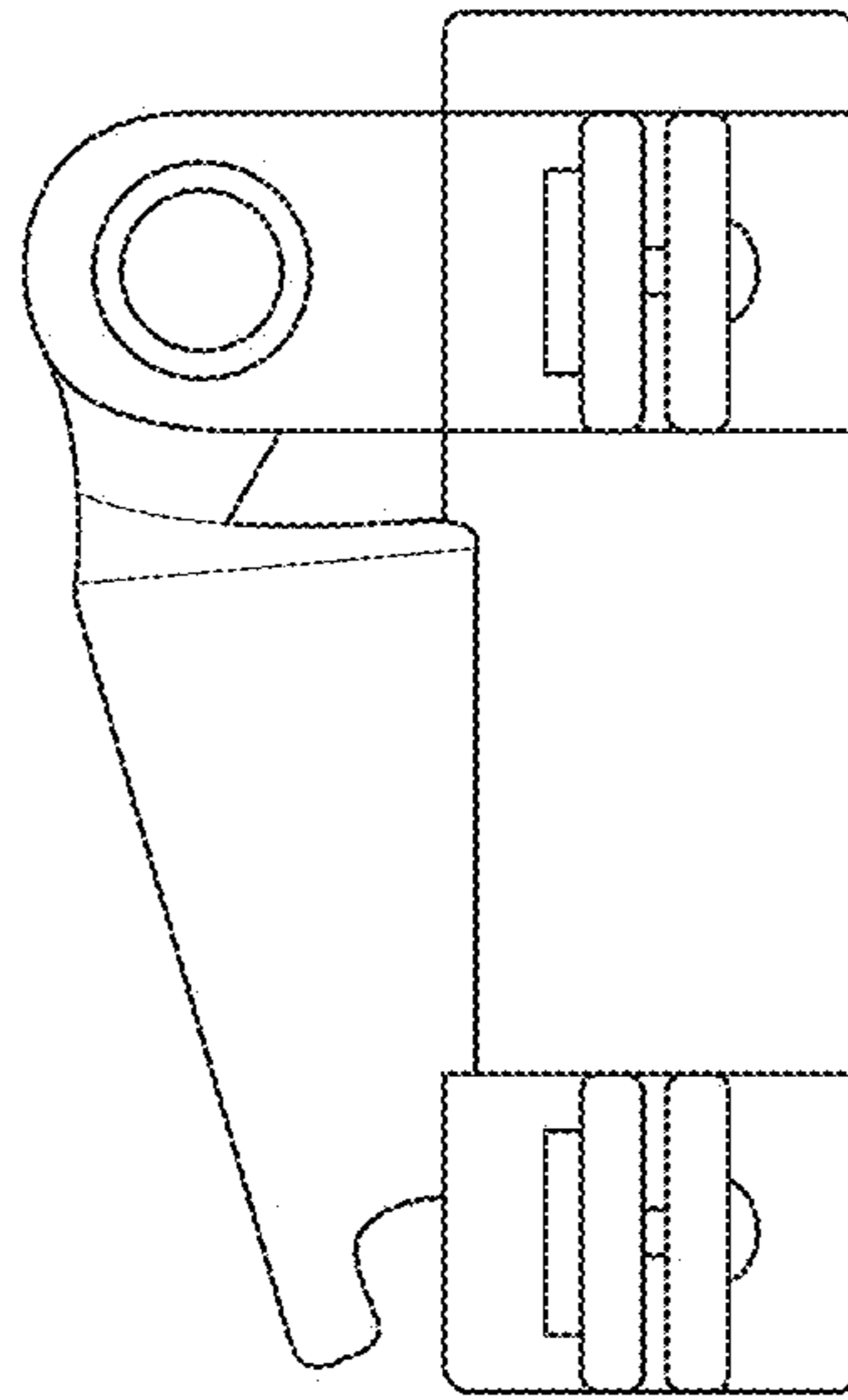


FIG. 5

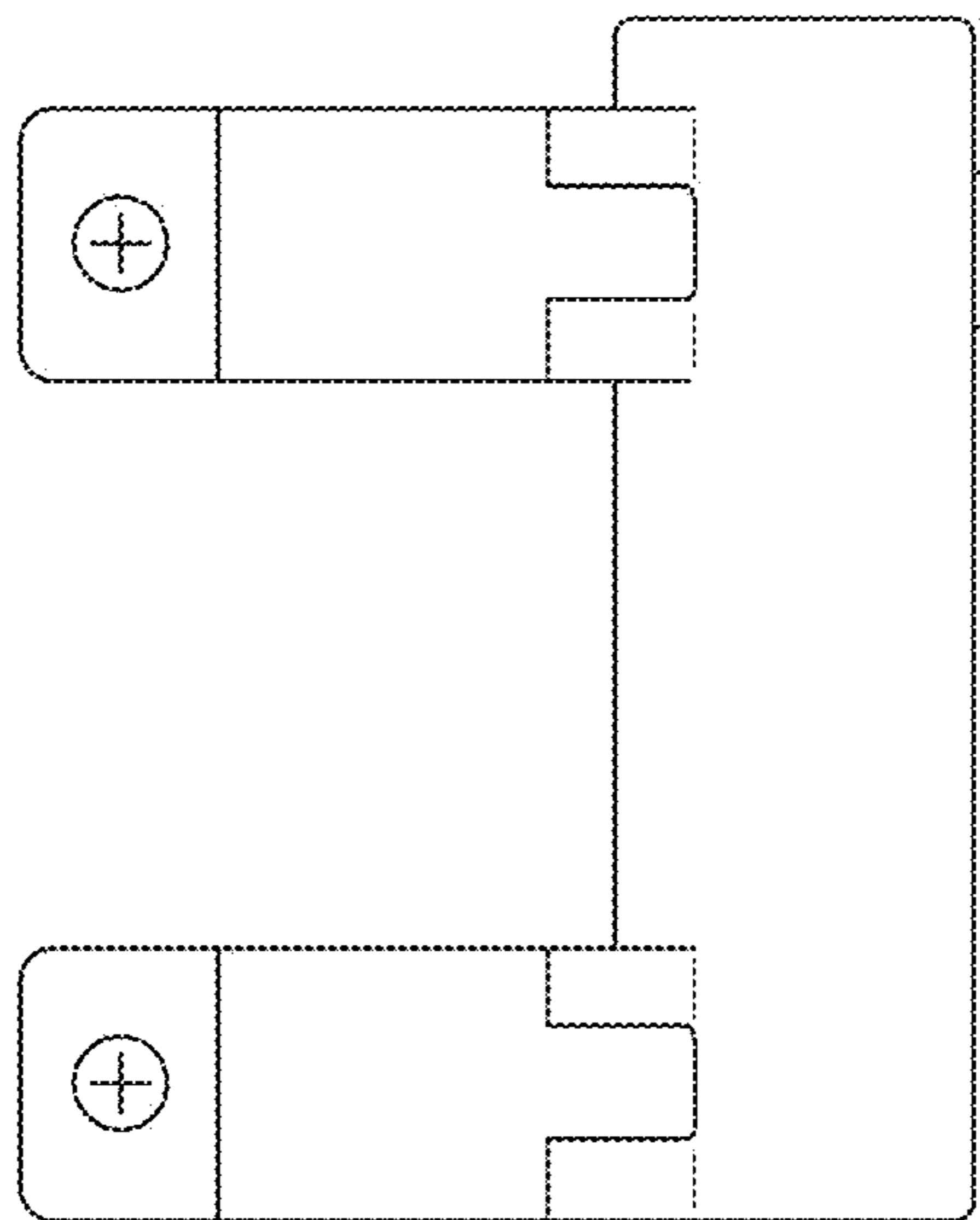
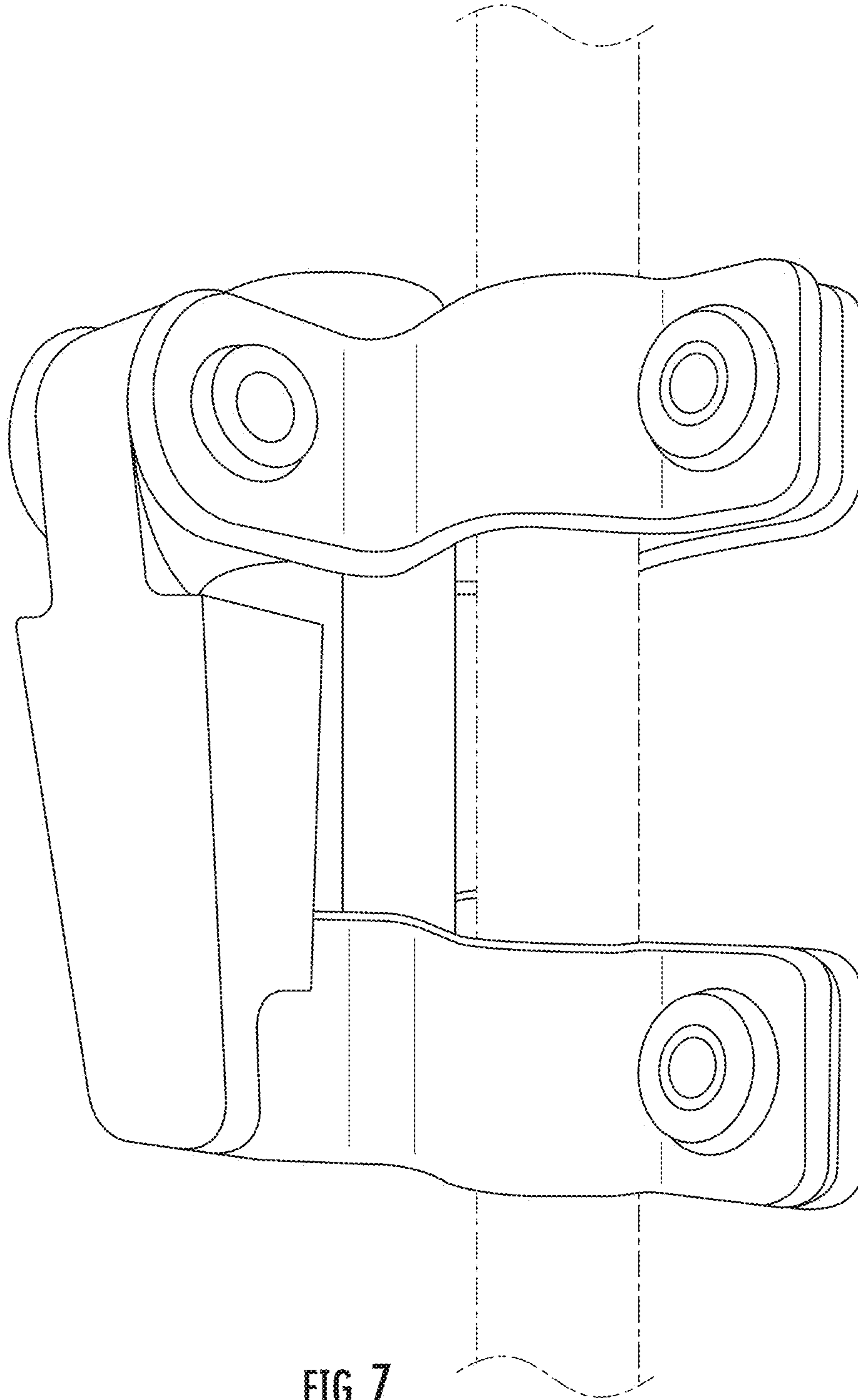


FIG. 6



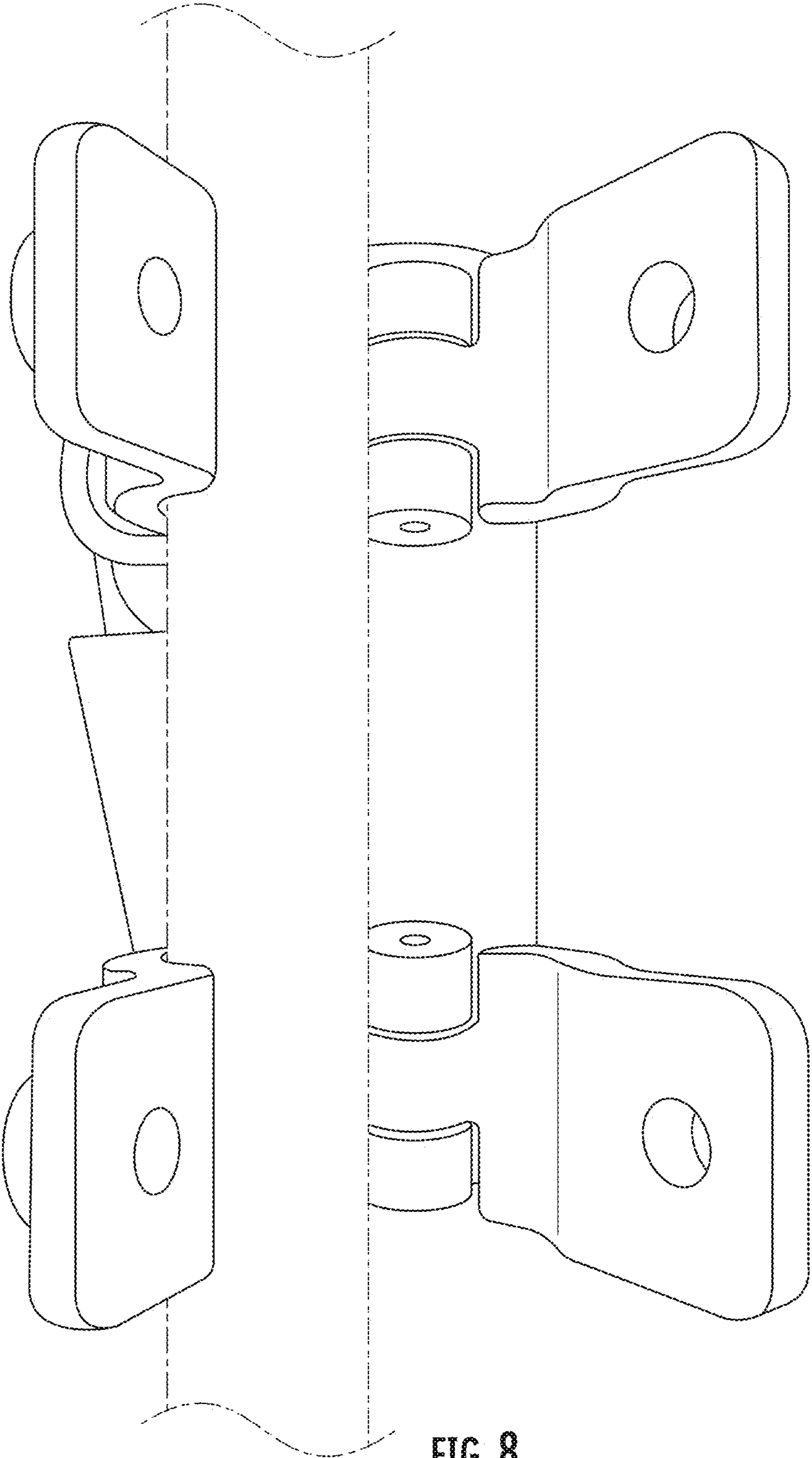


FIG. 8