



US00D834402S

(12) **United States Design Patent** (10) **Patent No.:** **US D834,402 S**  
**Bailey et al.** (45) **Date of Patent:** **\*\* Nov. 27, 2018**

- (54) **ZIPLINE TROLLEY**
- (71) Applicant: **TruBlue LLC**, Boulder, CO (US)
- (72) Inventors: **Carl Andrew Bailey**, Boulder, CO (US); **Ryan Daniel Walker**, Boulder, CO (US)
- (73) Assignee: **TruBlue LLC**, Boulder, CO (US)
- (\*\*) Term: **15 Years**
- (21) Appl. No.: **29/622,586**
- (22) Filed: **Oct. 18, 2017**
- (51) **LOC (11) Cl.** ..... **09-06**
- (52) **U.S. Cl.**  
 USPC ..... **D8/356**
- (58) **Field of Classification Search**  
 USPC ..... D8/356, 354  
 CPC ..... B65H 57/16; B63B 21/045  
 See application file for complete search history.

- 3,040,678 A 6/1962 McEwen  
 3,070,035 A 12/1962 Russo et al.  
 3,192,872 A 7/1965 Parent  
 3,480,272 A 11/1969 Ziebart  
 3,759,190 A 9/1973 Harvey  
 4,062,293 A 12/1977 Davis  
 4,159,113 A 6/1979 Callecod  
 4,621,851 A 11/1986 Bailey, Jr.  
 4,892,508 A 1/1990 Ryan
- (Continued)

FOREIGN PATENT DOCUMENTS

- DE 4237263 7/1994  
 EP 0131384 1/1985
- (Continued)

OTHER PUBLICATIONS

PCT International Search Report and Written Opinion in International Application PCT/US2018/016475, dated Apr. 16, 2018, 16 pages.

*Primary Examiner* — Cynthia R Underwood

(56) **References Cited**

U.S. PATENT DOCUMENTS

- 245,893 A 8/1881 Tunnington  
 479,524 A 7/1892 Nicholson  
 547,528 A 10/1895 Weaver et al.  
 654,687 A 7/1900 Suter  
 926,156 A 6/1909 Waterhouse et al.  
 1,087,062 A 2/1914 Izett  
 1,087,063 A 2/1914 Izett  
 1,228,694 A 6/1917 Netcott  
 1,371,619 A \* 3/1921 Greenstreet ..... A63H 33/06  
 446/124  
 1,490,619 A 4/1924 Manikowske et al.  
 1,873,196 A 8/1932 Harris et al.  
 1,935,711 A 11/1933 Hecox  
 1,958,877 A 5/1934 Yake  
 2,229,935 A \* 1/1941 Powers ..... E04H 15/322  
 24/129 B  
 2,812,010 A 11/1957 Abdallah

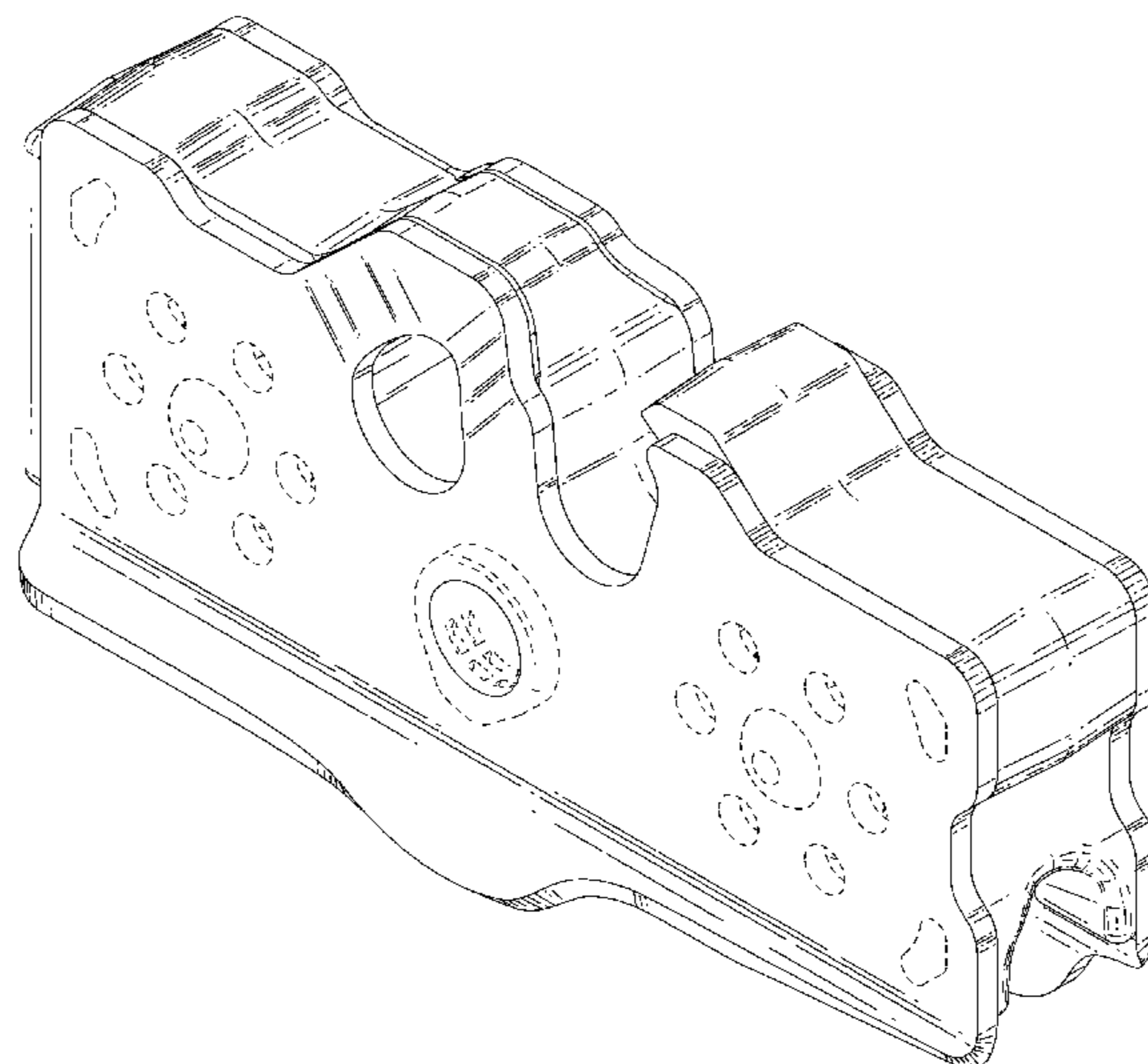
(57) **CLAIM**

The ornamental design for a zipline trolley, as shown and described.

**DESCRIPTION**

FIG. 1 is a perspective view of an exemplary zipline trolley according to the present disclosure;  
 FIG. 2 is a front view of the zipline trolley of FIG. 1;  
 FIG. 3 is a rear view of the zipline trolley of FIG. 1;  
 FIG. 4 is a right side view of the zipline trolley of FIG. 1;  
 FIG. 5 is a left side view of the zipline trolley of FIG. 1;  
 FIG. 6 is a top view of the zipline trolley of FIG. 1; and,  
 FIG. 7 is a bottom view of the zipline trolley of FIG. 1.  
 The broken lines represent environment that form no part of the claim.

**1 Claim, 7 Drawing Sheets**



(56)

References Cited

U.S. PATENT DOCUMENTS

4,948,118 A 8/1990 Miraglia  
 5,113,768 A 5/1992 Brown  
 5,224,425 A 7/1993 Remington  
 5,316,246 A \* 5/1994 Scott ..... A61M 5/1418  
 248/68.1  
 D372,188 S \* 7/1996 Van Dyke ..... D8/358  
 5,701,824 A 12/1997 Johnson et al.  
 5,904,099 A 5/1999 Danneker  
 5,931,100 A 8/1999 Sutton et al.  
 5,954,301 A \* 9/1999 Joseph ..... H01R 9/2416  
 248/68.1  
 6,206,330 B1 \* 3/2001 Oi ..... F16B 37/0842  
 248/635  
 6,363,858 B1 4/2002 Voirin  
 6,640,727 B2 11/2003 Ostrobrod  
 6,666,773 B1 12/2003 Richardson  
 D488,054 S \* 4/2004 Myers ..... D8/356  
 6,810,818 B2 11/2004 Petzl et al.  
 D568,254 S \* 5/2008 Patchett ..... D13/155  
 D569,234 S \* 5/2008 Young, IV ..... D13/154  
 D569,236 S \* 5/2008 Young, IV ..... D13/154  
 D569,712 S \* 5/2008 Young, IV ..... D13/154  
 7,381,137 B2 6/2008 Steele et al.  
 D572,573 S 7/2008 Abels  
 D589,899 S \* 4/2009 Huang ..... D13/147  
 D596,128 S \* 7/2009 Hung ..... D13/147  
 7,610,706 B2 11/2009 Pitcher et al.  
 7,624,684 B2 12/2009 Morris  
 D617,741 S \* 6/2010 Fennell ..... D13/154  
 7,819,066 B2 10/2010 Smith  
 7,825,337 B2 \* 11/2010 Young, IV ..... H02G 3/30  
 174/135  
 D640,527 S \* 6/2011 Hoek ..... D8/356  
 D644,501 S \* 9/2011 Chen ..... D8/356  
 D657,869 S \* 4/2012 Mammen ..... D24/128  
 D668,620 S \* 10/2012 Convert ..... D13/147  
 8,336,463 B2 12/2012 Smith  
 D680,851 S \* 4/2013 Lo ..... D8/356  
 8,424,460 B2 4/2013 Lerner et al.

8,601,951 B2 12/2013 Lerner  
 8,998,151 B2 \* 4/2015 Hoek ..... F16L 3/223  
 248/68.1  
 9,033,115 B2 5/2015 Lerner  
 D735,018 S 7/2015 McEvelly  
 D742,212 S \* 11/2015 Hsu ..... D8/396  
 9,242,659 B2 1/2016 Bernier  
 9,381,926 B2 7/2016 Brannan  
 D767,500 S \* 9/2016 Byrne ..... D13/154  
 D768,089 S \* 10/2016 Liu ..... D13/154  
 D773,414 S \* 12/2016 Hoffman ..... D13/183  
 D774,002 S \* 12/2016 Hsieh ..... D13/155  
 D790,127 S \* 6/2017 Verleur ..... D27/183  
 D799,941 S \* 10/2017 Rothenberg ..... D8/356  
 D802,168 S \* 11/2017 Lee ..... D25/119  
 D805,879 S \* 12/2017 Garcia ..... D8/356  
 D822,122 S \* 7/2018 Bilezikian ..... D21/484  
 D822,463 S \* 7/2018 Han ..... D8/360  
 2002/0050032 A1 5/2002 Carnall  
 2002/0162477 A1 11/2002 Palumbo  
 2004/0118982 A1 \* 6/2004 Shillings ..... F16L 3/223  
 248/68.1  
 2005/0189453 A1 \* 9/2005 DeGuevara ..... H02G 3/305  
 248/68.1  
 2007/0235597 A1 \* 10/2007 Winchester ..... F16L 3/223  
 248/68.1  
 2008/0178760 A1 7/2008 Frangos et al.  
 2008/0202375 A1 8/2008 Quattlebaum  
 2009/0223406 A1 9/2009 Smith  
 2011/0083577 A1 4/2011 Tilley  
 2012/0031296 A1 2/2012 Smith  
 2015/0266454 A1 9/2015 McGowan  
 2015/0375758 A1 12/2015 Strasser  
 2018/0216656 A1 8/2018 Bailey

FOREIGN PATENT DOCUMENTS

EP 1386814 2/2004  
 GB 920392 3/1963  
 GB 1527238 10/1978  
 WO WO 2009143529 A2 11/2009

\* cited by examiner

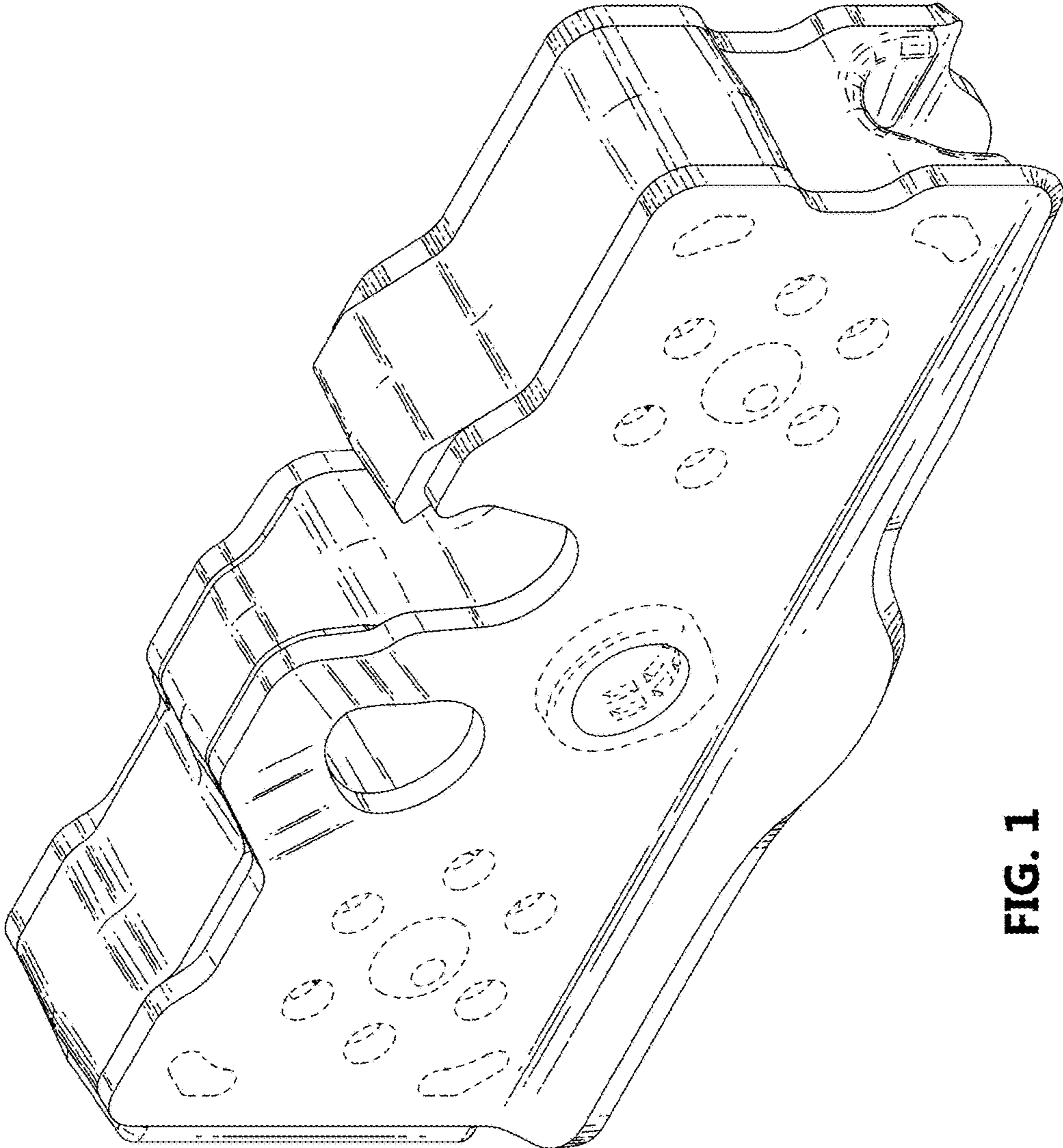


FIG. 1



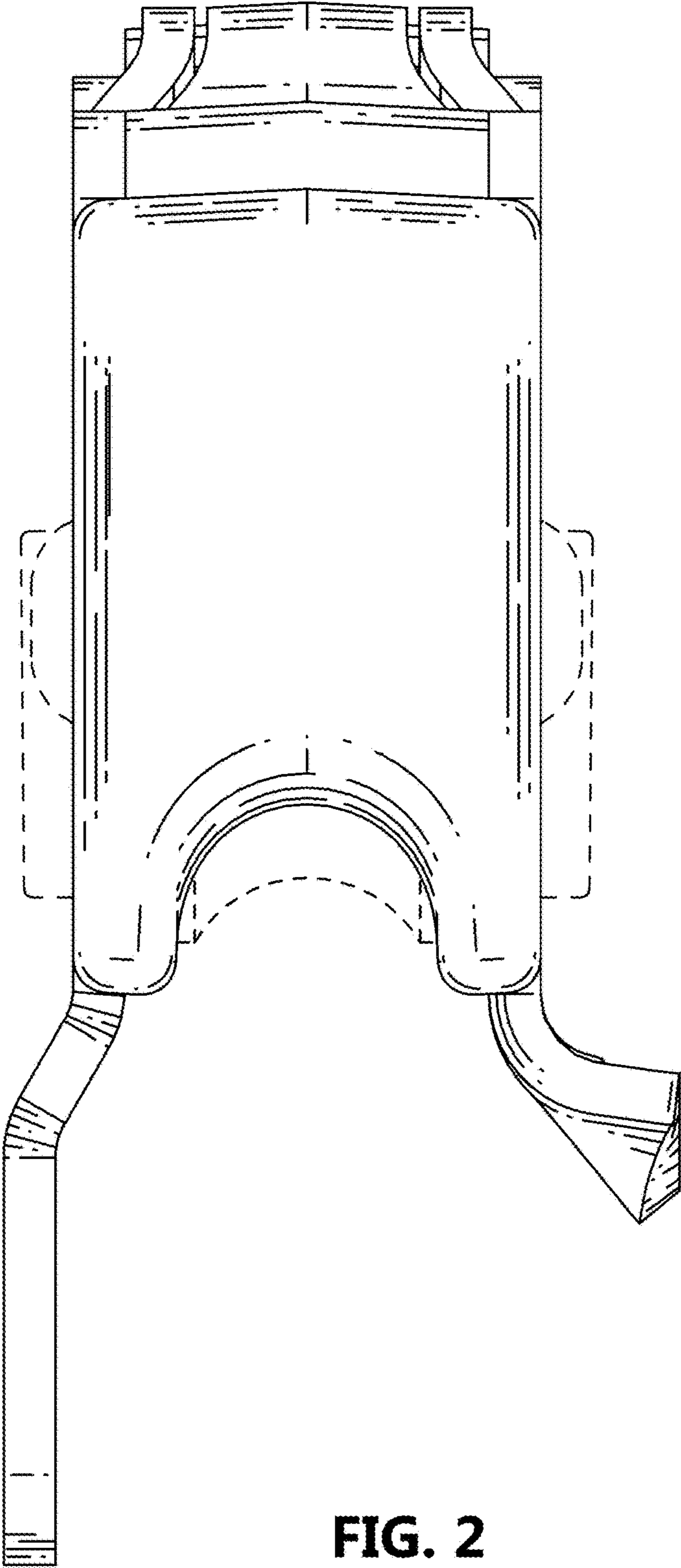
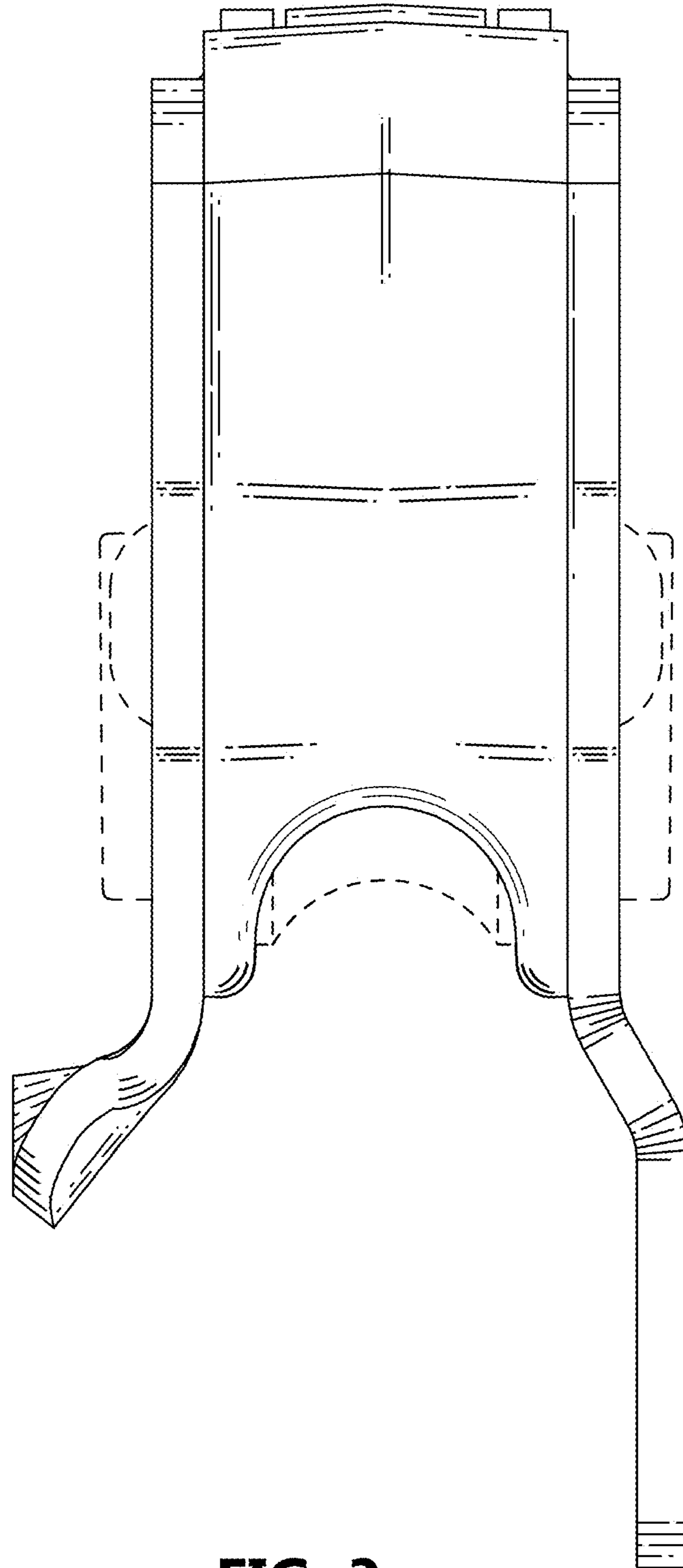


FIG. 2



**FIG. 3**

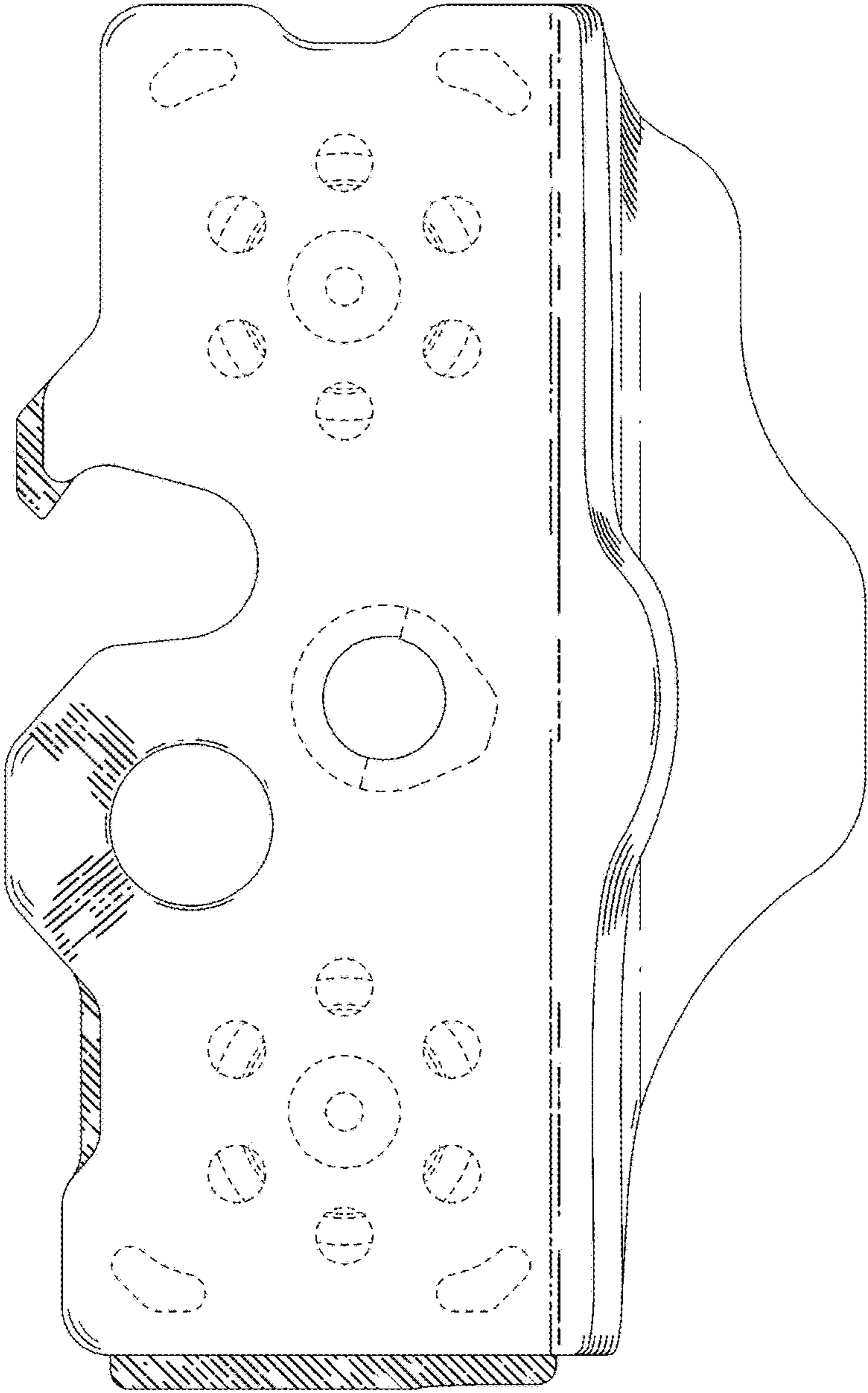


FIG. 4

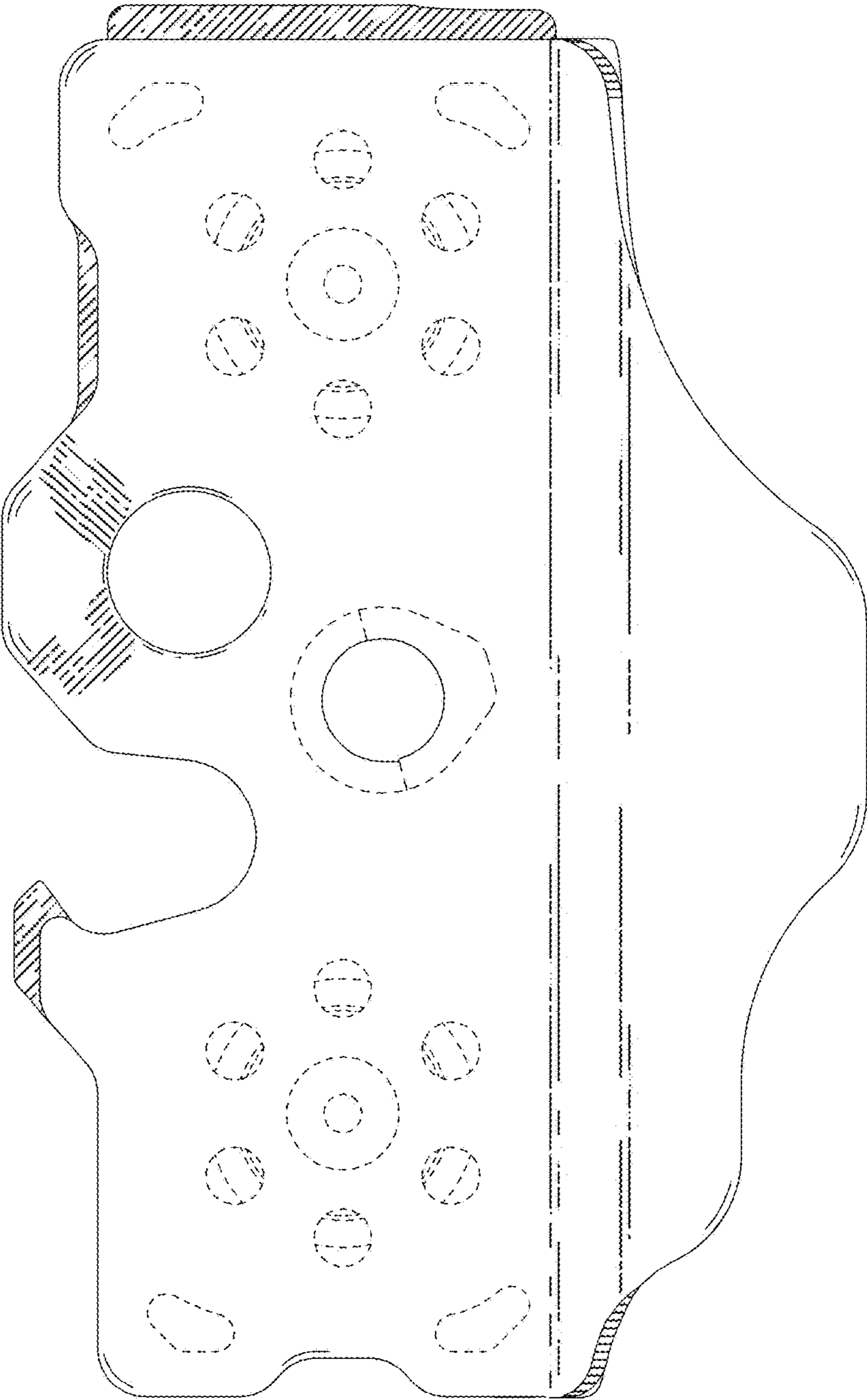


FIG. 5

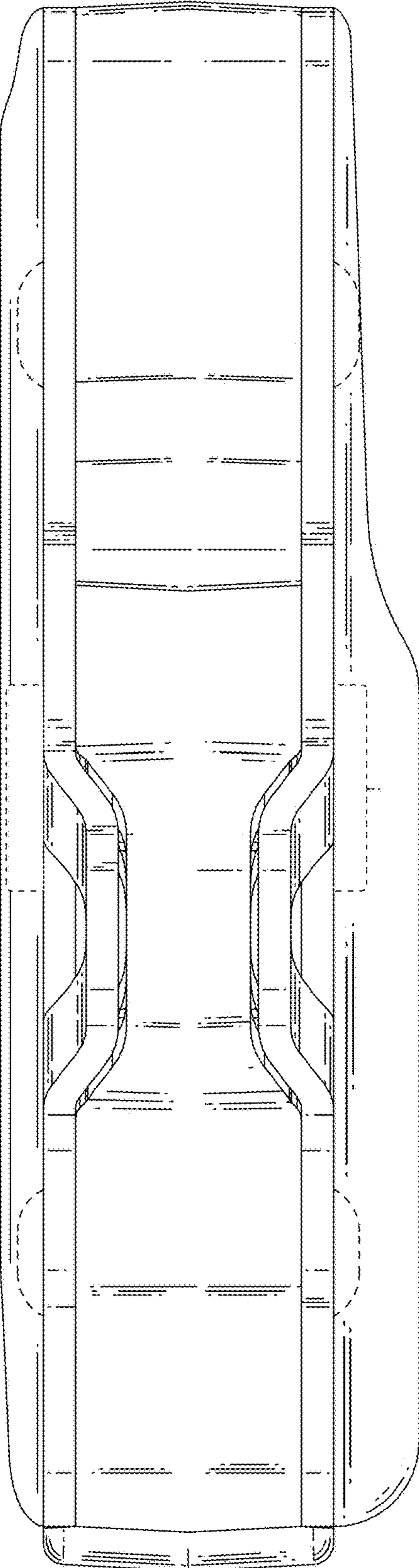


FIG. 6



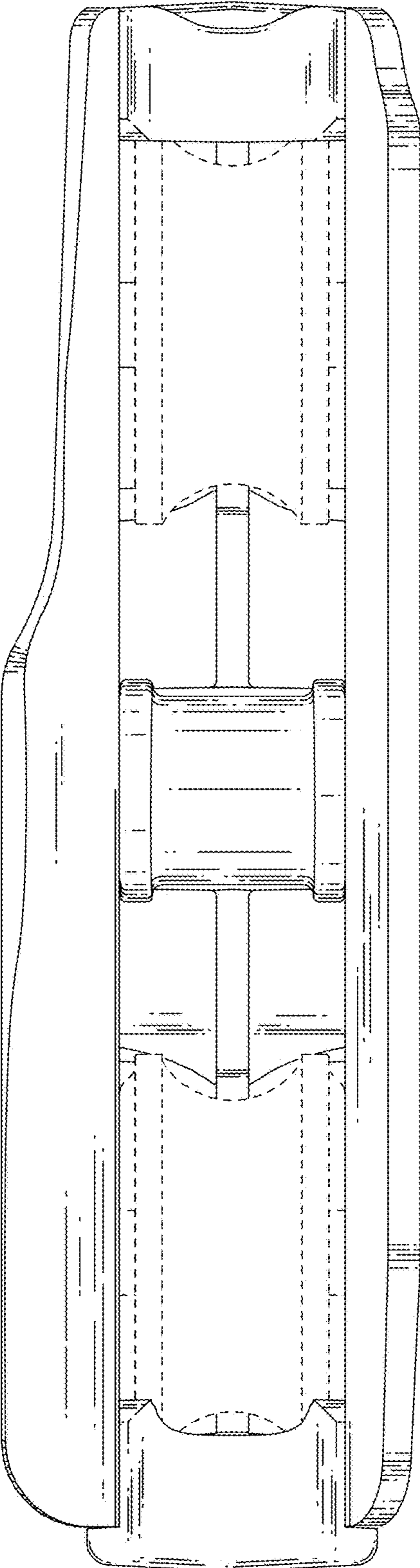


FIG. 7