



US00D834401S

(12) **United States Design Patent**
Penn et al.

(10) **Patent No.:** **US D834,401 S**

(45) **Date of Patent:** **** Nov. 27, 2018**

(54) **CARABINER**

(71) Applicant: **Denovo Brands, LLC**, Bentonville, AR (US)

(72) Inventors: **Richard Justin Penn**, Centerton, AR (US); **Daniel Banter**, Hot Springs, AR (US)

(73) Assignee: **Denovo Brands, LLC**, Bentonville, AR (US)

(**) Term: **15 Years**

(21) Appl. No.: **29/611,362**

(22) Filed: **Jul. 20, 2017**

(51) **LOC (11) Cl.** **09-06**

(52) **U.S. Cl.**
USPC **D8/356**

(58) **Field of Classification Search**
USPC D8/367, 356, 354, 349
CPC B65H 57/16; B63B 21/045
See application file for complete search history.

(56) **References Cited**

U.S. PATENT DOCUMENTS

D375,252 S * 11/1996 Serra Fabregas D8/356
D468,997 S * 1/2003 Chang D8/356

D702,110 S * 4/2014 Gobbi D8/356
D730,722 S * 6/2015 Grimm D8/356
D735,559 S * 8/2015 Liang D8/356
D785,317 S * 5/2017 Grossman D3/208
D809,370 S * 2/2018 Tang D8/356

* cited by examiner

Primary Examiner — Cynthia R Underwood

(74) *Attorney, Agent, or Firm* — Michael L. Leetzow, P.A.

(57) **CLAIM**

The ornamental design for a carabiner, as shown and described.

DESCRIPTION

FIG. 1 is a left perspective view of a carabiner showing our new design;

FIG. 2 is a front view of the carabiner shown in FIG. 1;

FIG. 3 is a back view of the carabiner shown in FIG. 1;

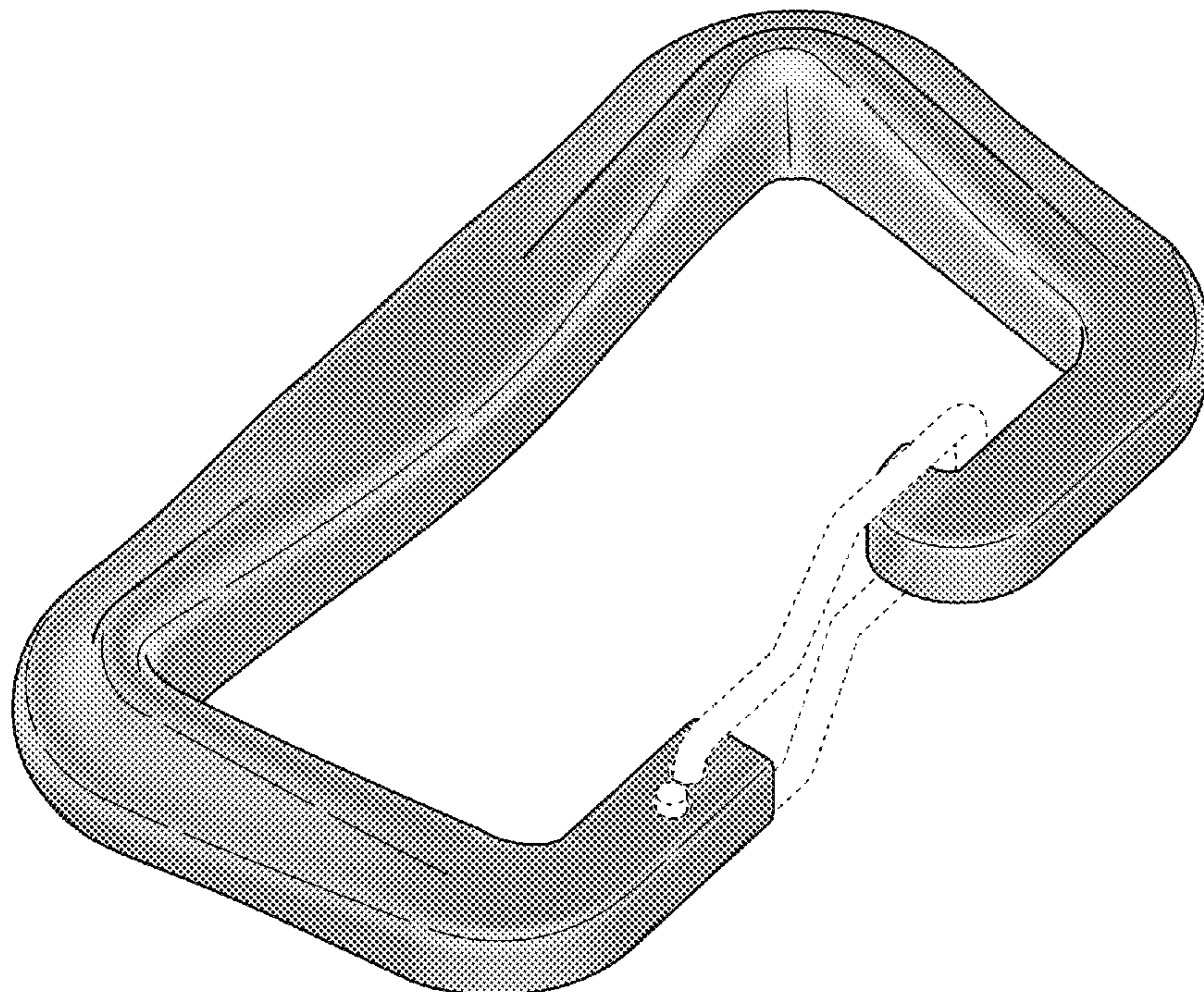
FIG. 4 is a right view of the carabiner shown in FIG. 1;

FIG. 5 is a left view of the carabiner shown in FIG. 1; and,

FIG. 6 is a top view of the carabiner shown in FIG. 1, the bottom view being a mirror image thereof.

The ornamental design claimed is shown in solid lines in the drawings. The broken line illustrations in the drawing figures of the pin and holes are for illustrative purposes only and form no part of the claimed design.

1 Claim, 5 Drawing Sheets



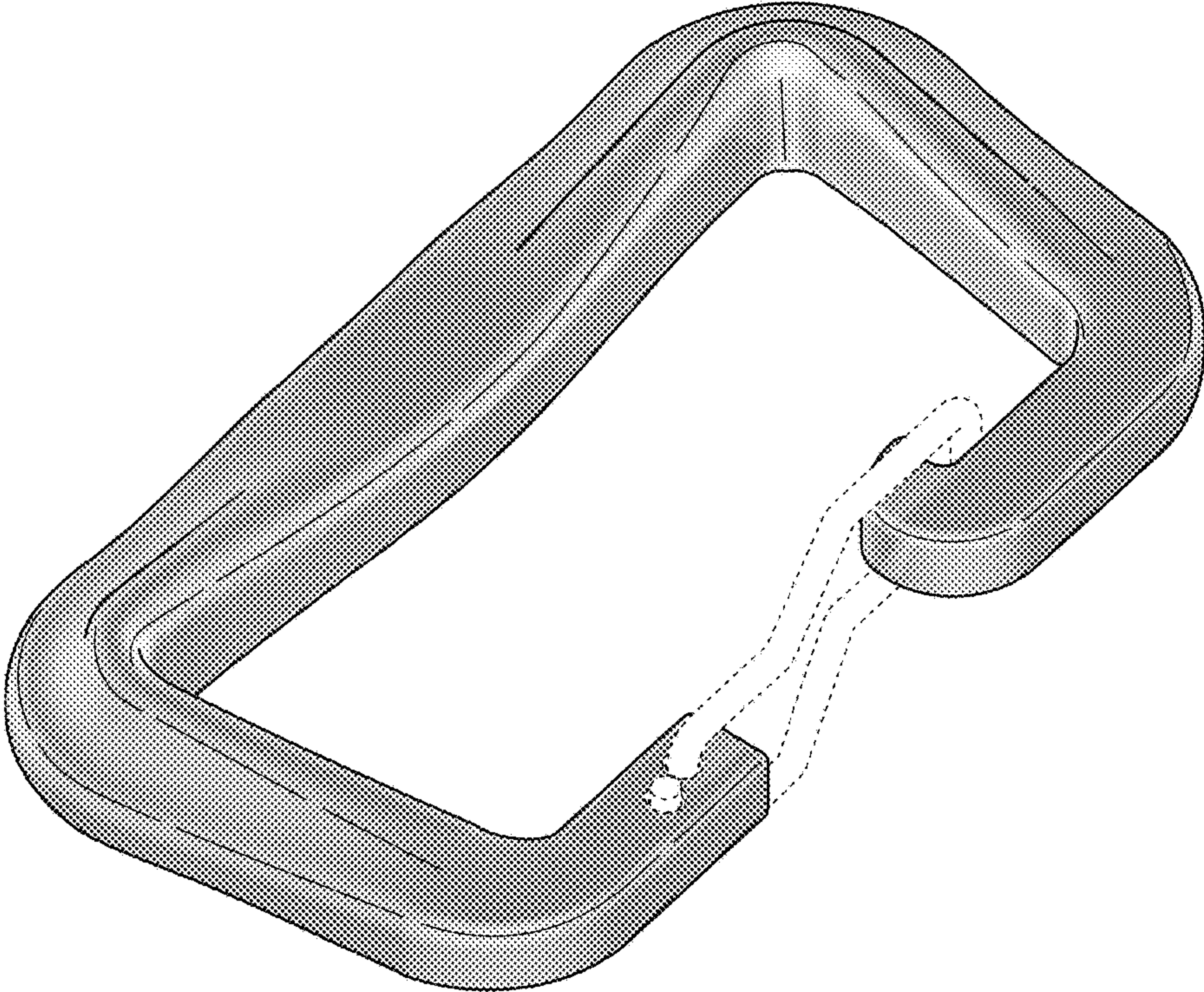


Fig. 1

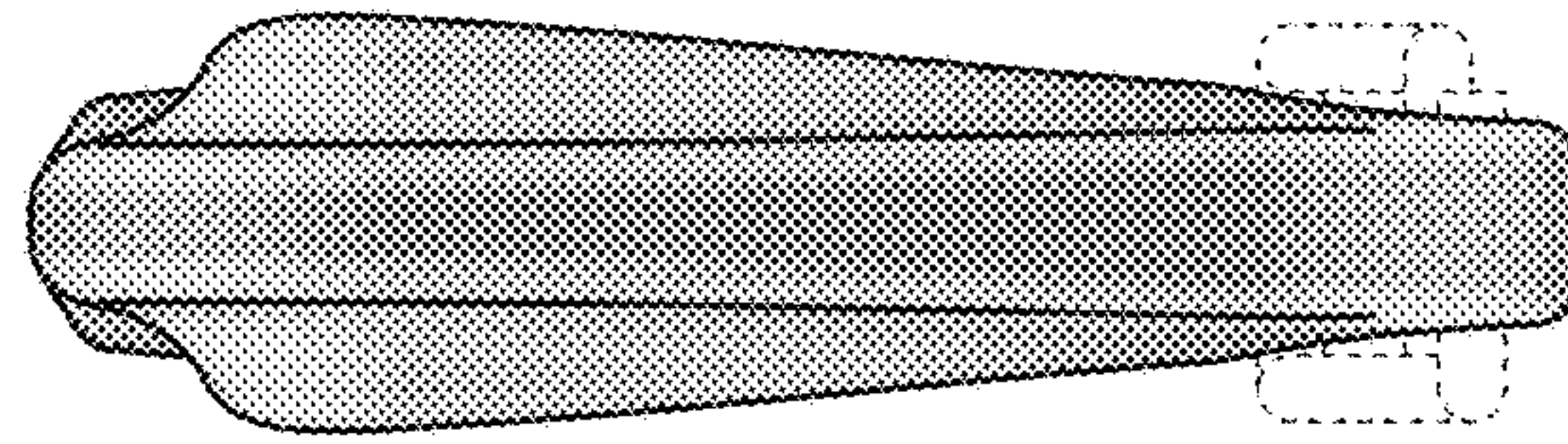


Fig. 2

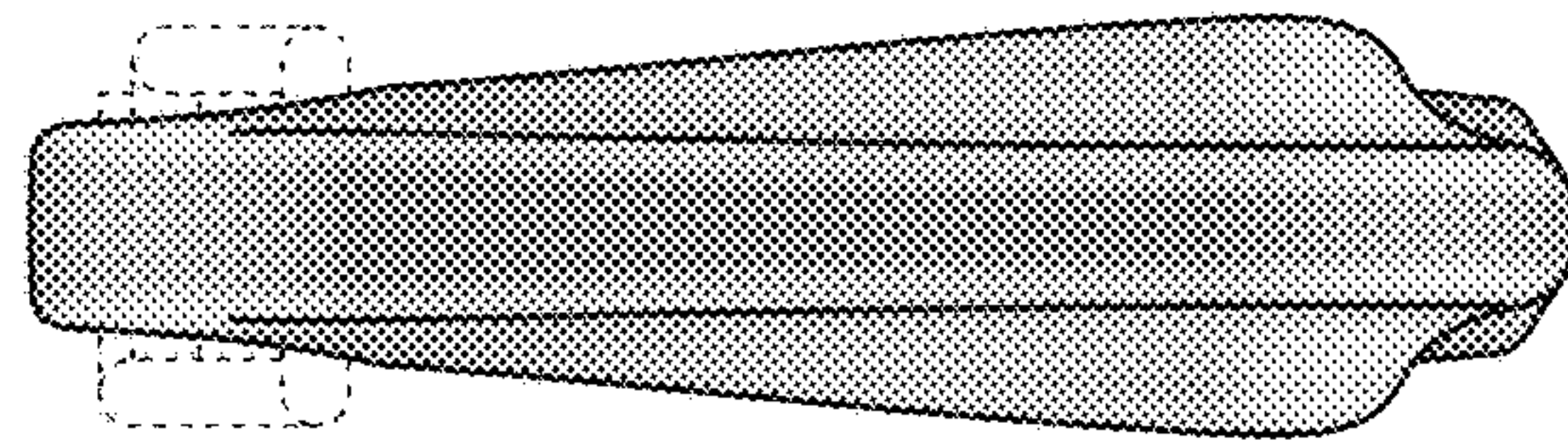


Fig. 3

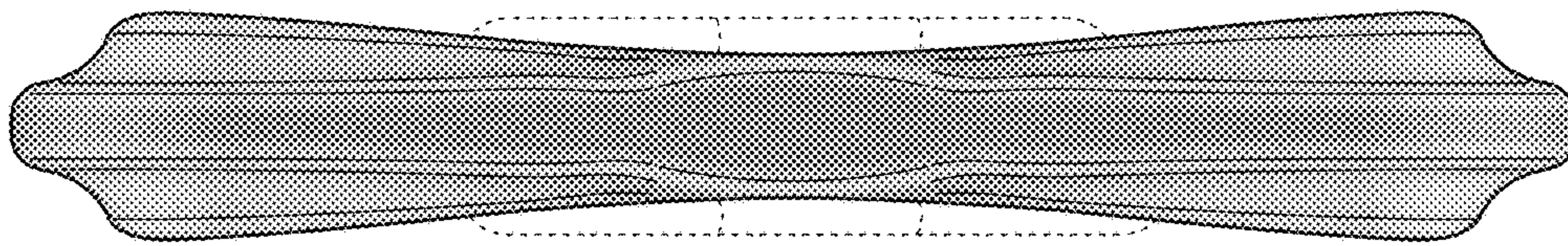


Fig. 4

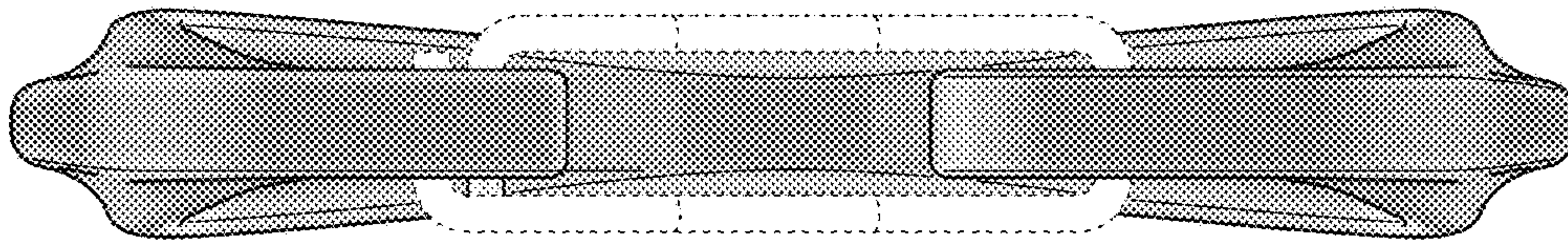


Fig. 5

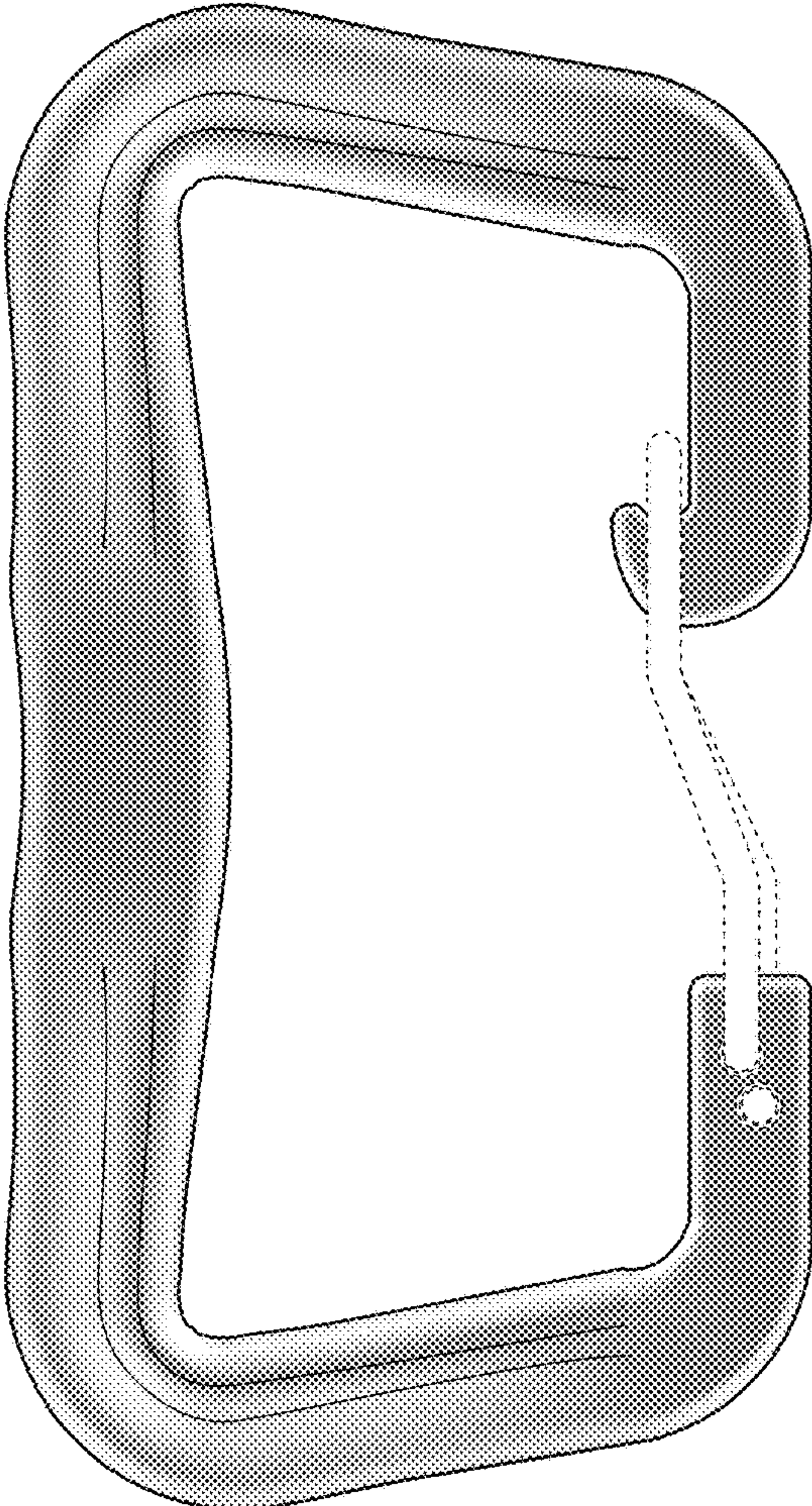


Fig. 6

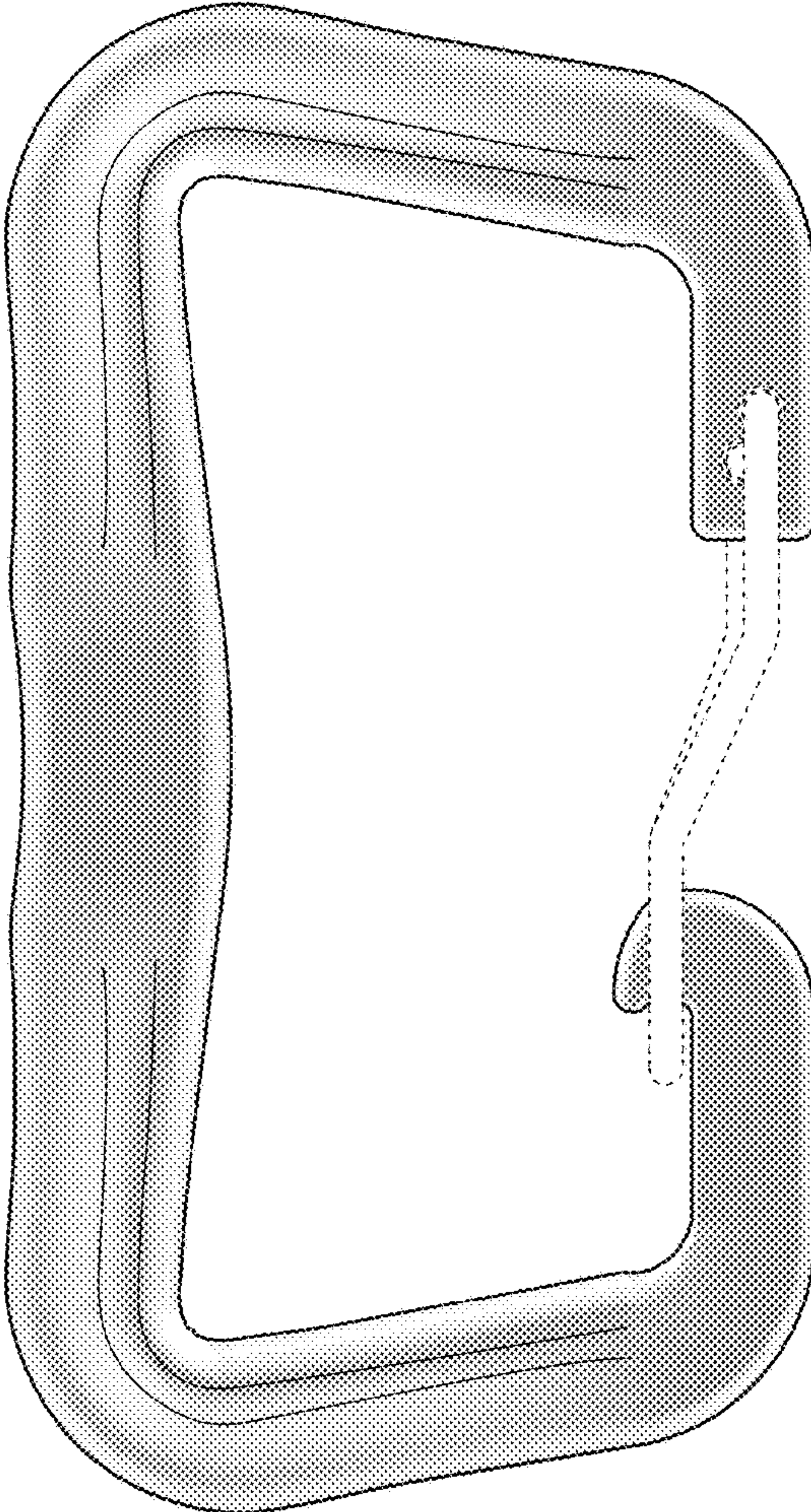


Fig. 7