



US00D834400S

(12) **United States Design Patent** (10) **Patent No.:** **US D834,400 S**  
**Macdonald et al.** (45) **Date of Patent:** **\*\* Nov. 27, 2018**

(54) **PERIMETER STRIP FOR WALL PANEL SYSTEM**

(56) **References Cited**

U.S. PATENT DOCUMENTS

- (71) Applicant: **Exterior Wall Systems Limited,**  
London OT (CA)
- (72) Inventors: **Robert B. Macdonald,** London (CA);  
**Philip A. Macdonald,** London (CA);  
**Alexander K. Williams,** London (CA);  
**Jonathan W. Hoy,** London (CA)
- (73) Assignee: **Exterior Wall Systems Limited,**  
London, Ontario (CA)
- (\*\*) Term: **15 Years**
- (21) Appl. No.: **29/653,351**
- (22) Filed: **Jun. 14, 2018**

D317,513 S *	6/1991	Miller .....	D13/155
5,094,051 A *	3/1992	Miller .....	E04F 13/0812 52/235
D397,452 S *	8/1998	Franson .....	D25/124
D432,675 S *	10/2000	Grosfillex .....	D25/124
D437,945 S *	2/2001	Mast .....	D25/199
D457,052 S *	5/2002	Snyder .....	D8/349
D541,955 S *	5/2007	Simko .....	D25/125
D561,353 S *	2/2008	Antonic .....	D25/122
D666,328 S *	8/2012	Morton .....	D25/122
D666,329 S *	8/2012	Morton .....	D25/122
D732,207 S *	6/2015	Campbell .....	D25/124
D775,373 S *	12/2016	Veerawmy .....	D25/124
D777,948 S *	1/2017	Veerawmy .....	D25/119
D809,704 S *	2/2018	Klus .....	D26/142
D815,308 S *	4/2018	Schuit .....	D25/124
2015/0300027 A1 *	10/2015	Day .....	E04F 13/0862 52/489.1

\* cited by examiner

*Primary Examiner* — Jennifer Rivard

*Assistant Examiner* — Alison M Ofstun

(74) *Attorney, Agent, or Firm* — Peter L. Brewer; Thrive IP

**Related U.S. Application Data**

- (62) Division of application No. 29/592,493, filed on Jan. 31, 2017, now Pat. No. Des. 828,142.
- (51) **LOC (11) Cl.** ..... **08-08**
- (52) **U.S. Cl.**  
USPC ..... **D8/349; D25/124**
- (58) **Field of Classification Search**  
USPC ..... D8/349, 354, 382, 383, 384, 403;  
D25/113, 114, 119, 120–125, 131, 136,  
D25/199; D21/484, 486, 500, 501, 839,  
D21/468, 470, 471, 478, 479; D3/10  
CPC ... E04F 13/0826; E04F 13/12; E04F 13/0889;  
E04F 13/08; E04H 1/00; E04H 15/34;  
E04H 15/646; E04B 1/34326; E04B  
2001/5856; E04B 2001/5875; Y10S  
135/909; Y10T 403/349; Y10T 403/341;  
Y10T 403/347

See application file for complete search history.

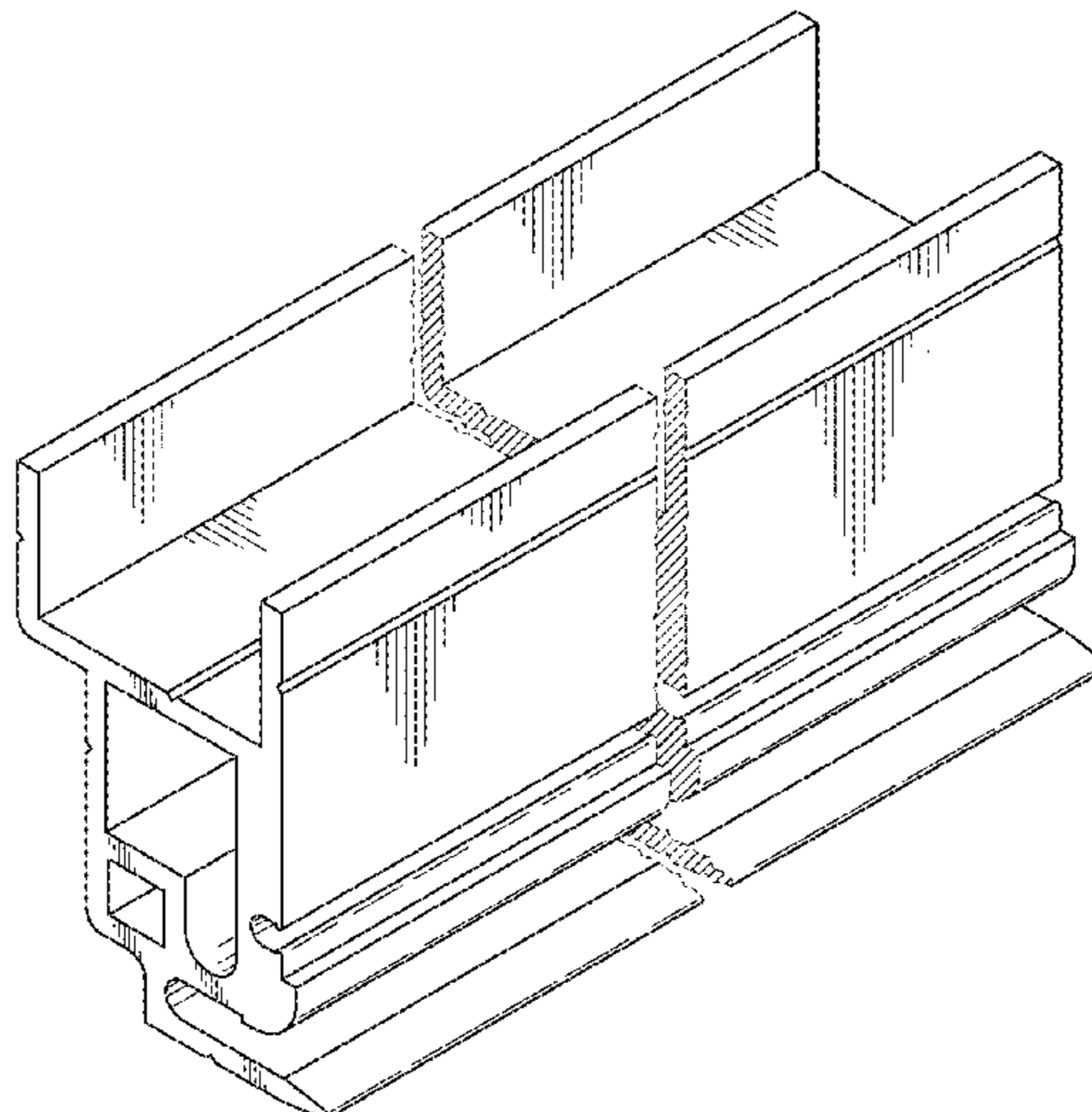
(57) **CLAIM**

The ornamental design for a perimeter strip for wall panel system, as shown and described.

**DESCRIPTION**

FIG. 1 is a first perspective view of a perimeter strip for wall panel system showing our new design;  
 FIG. 2 is a front plan view thereof.  
 FIG. 3 is a rear plan view thereof.  
 FIG. 4 is a left side elevation view thereof.  
 FIG. 5 is a right side elevation view thereof.  
 FIG. 6 is a top plan view thereof; and,  
 FIG. 7 is a bottom plan view thereof.  
 The article is shown with a symbolic break in its length. The appearance of any portion of the article between the break lines forms no part of the claimed design.

**1 Claim, 4 Drawing Sheets**



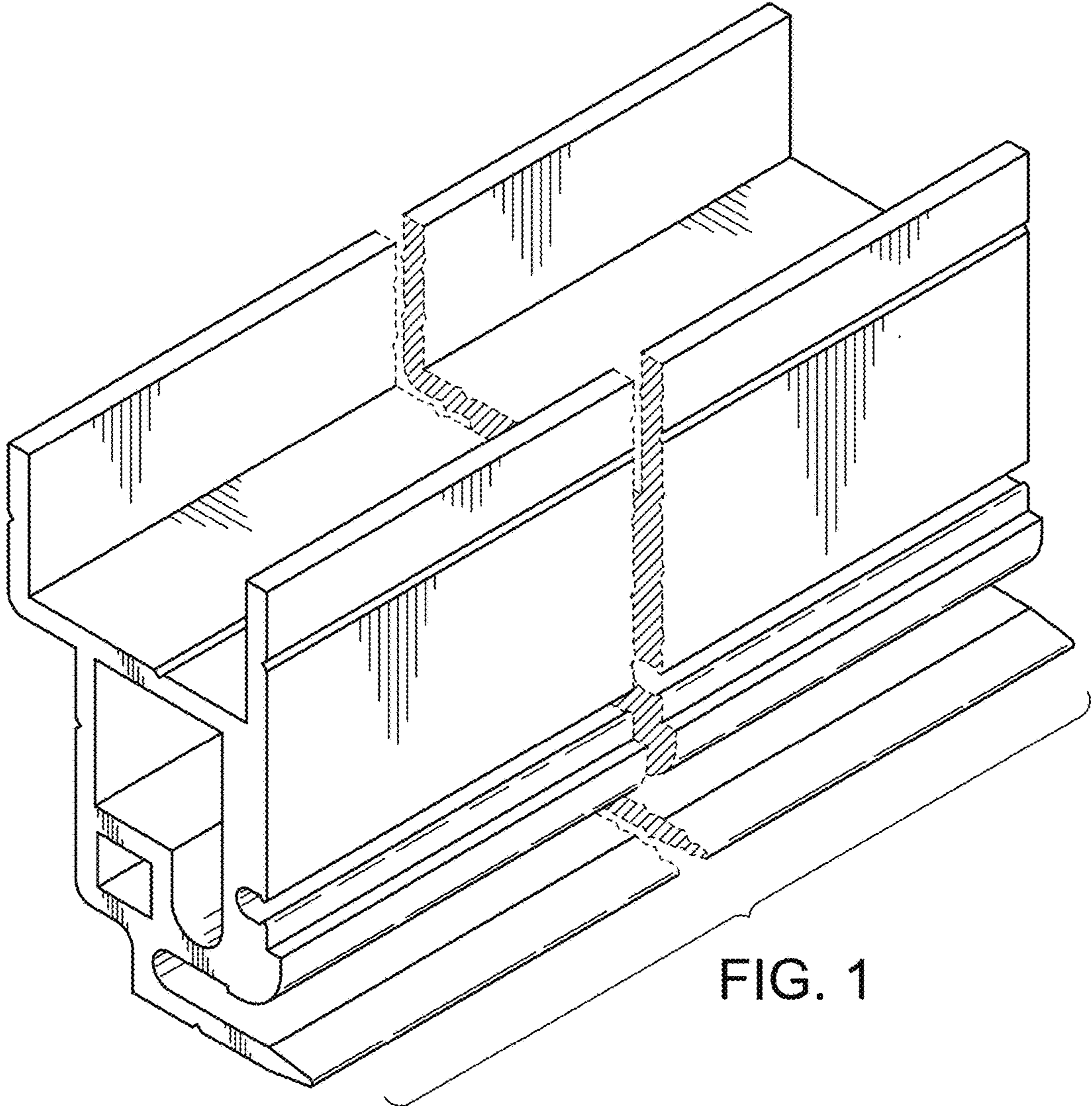


FIG. 1

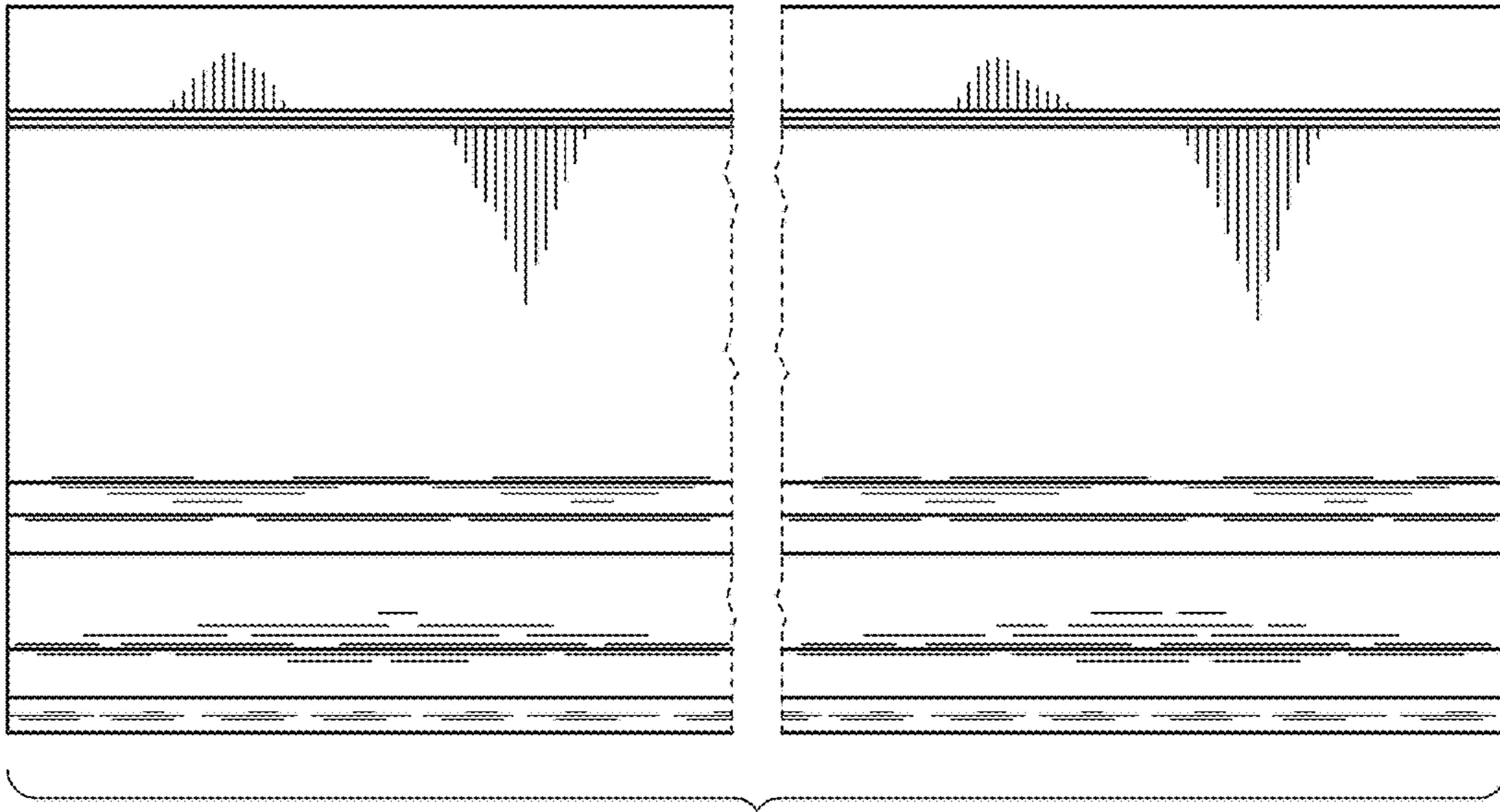


FIG. 2

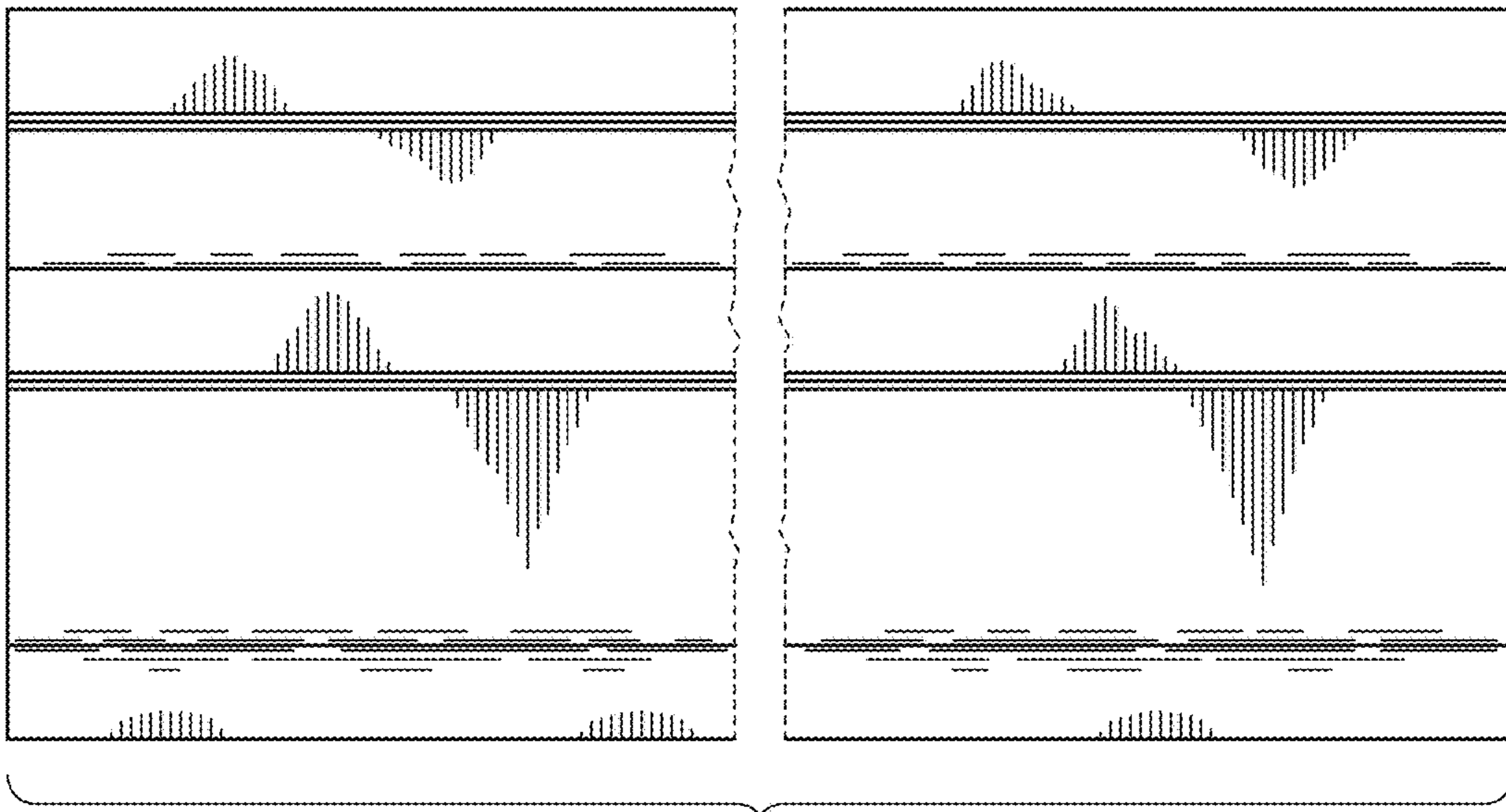


FIG. 3

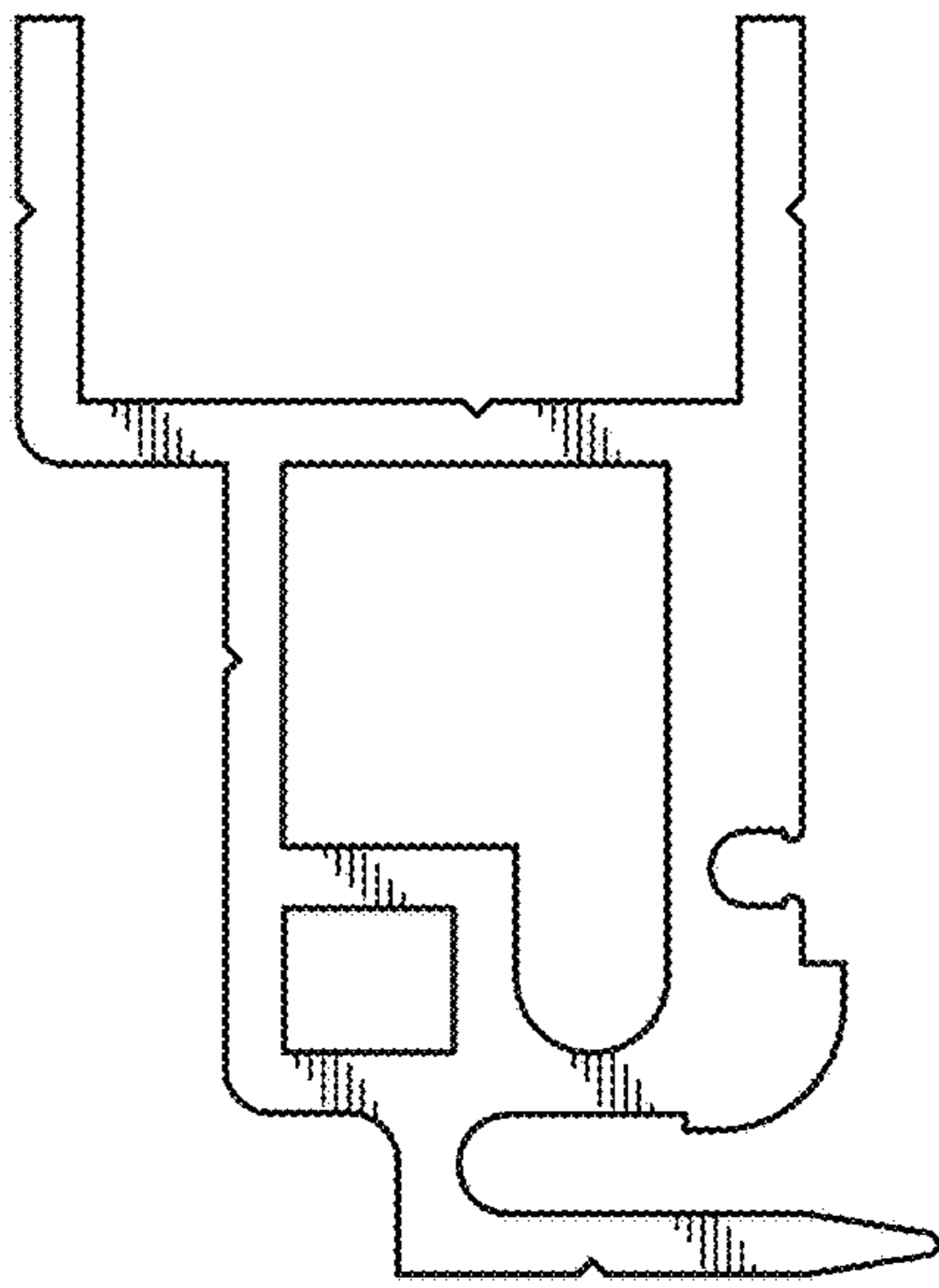


FIG. 4

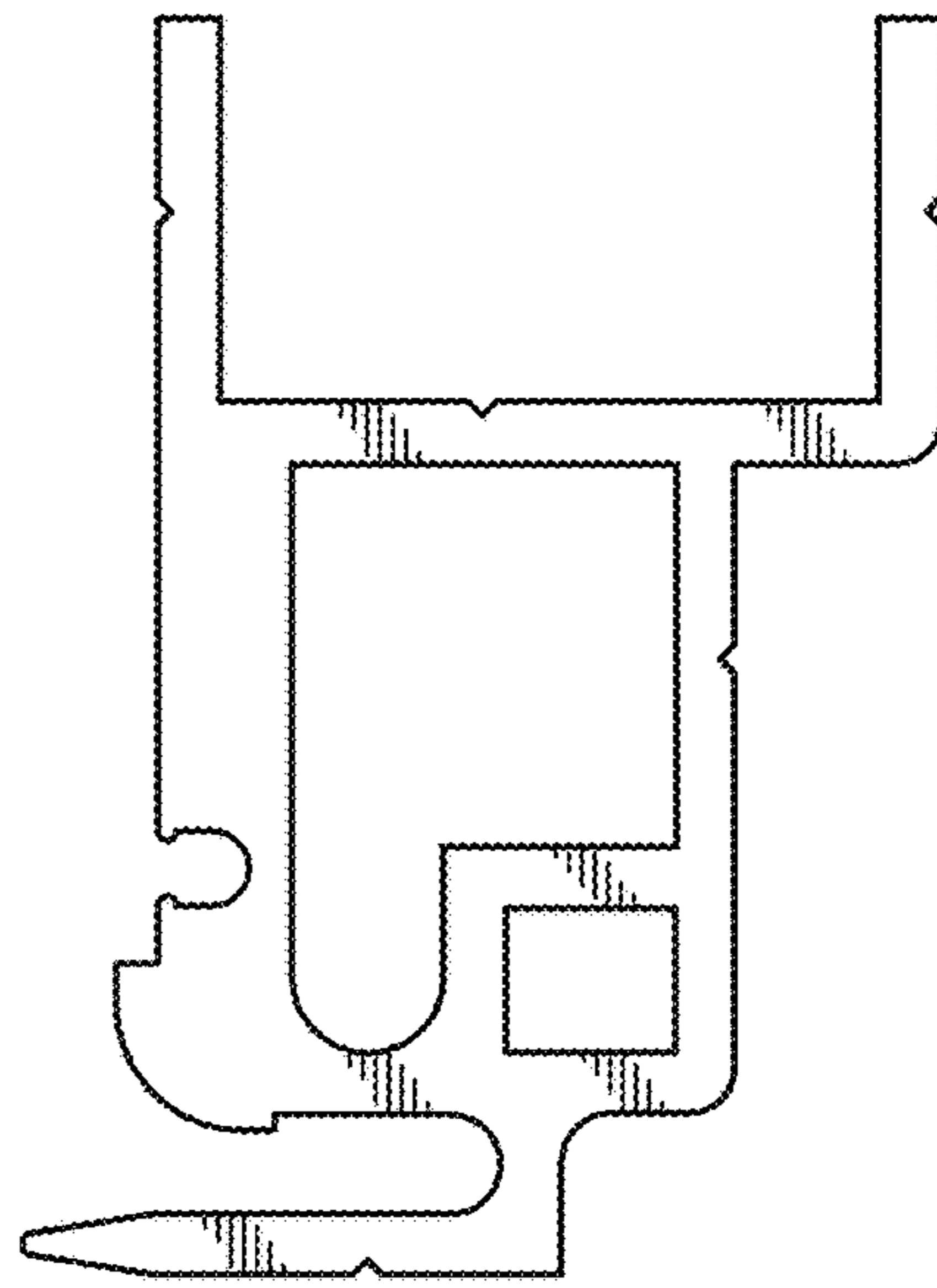


FIG. 5

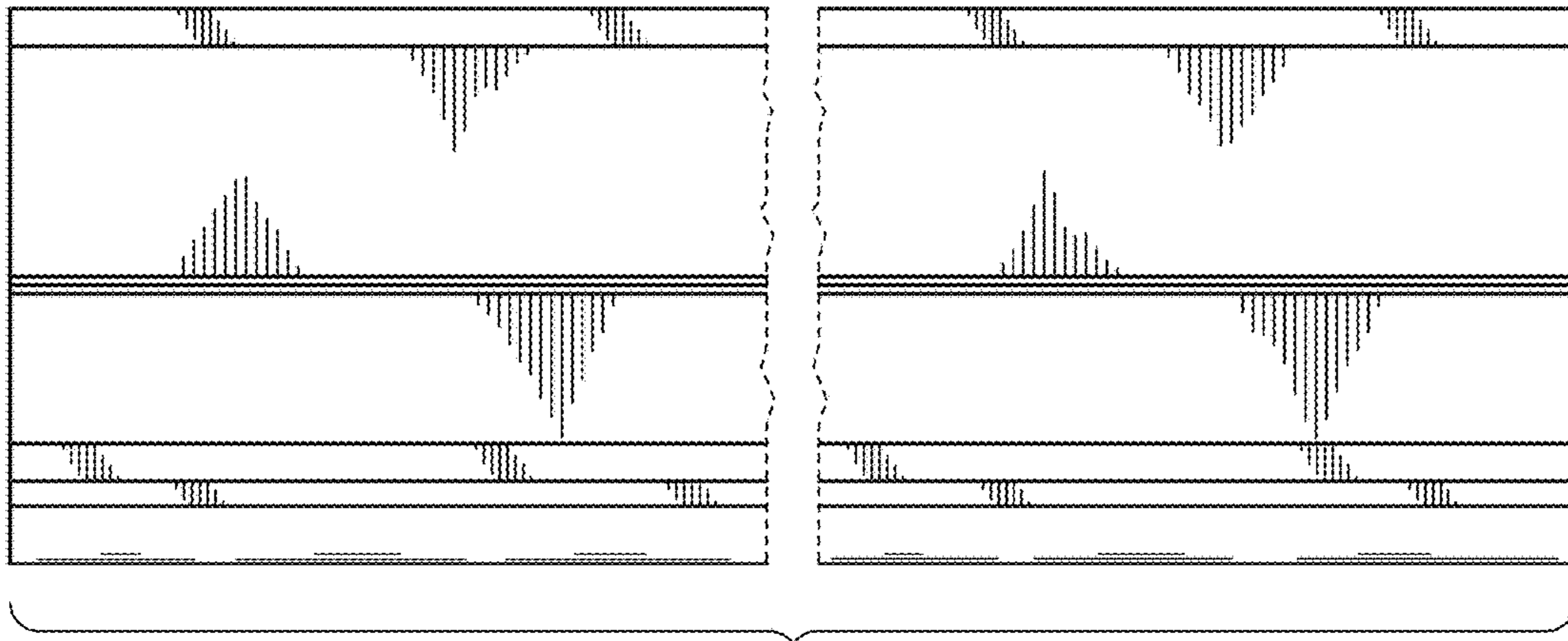


FIG. 6

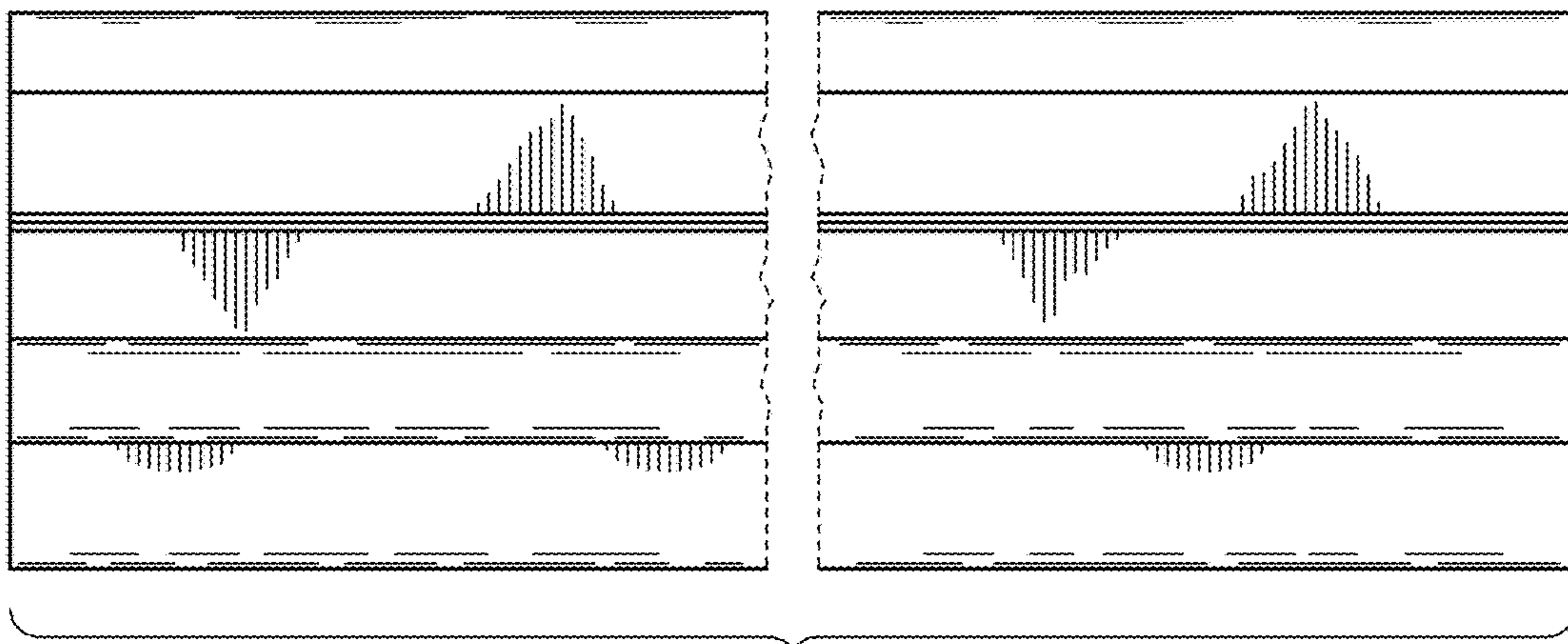


FIG. 7