



US00D834399S

(12) **United States Design Patent** (10) **Patent No.:** **US D834,399 S**
Macdonald et al. (45) **Date of Patent:** **** Nov. 27, 2018**

(54) **PERIMETER STRIP FOR WALL PANEL SYSTEM**
(71) Applicant: **Exterior Wall Systems Limited**,
London, Ontario (CA)
(72) Inventors: **Robert B. Macdonald**, London (CA);
Philip A. Macdonald, London (CA);
Alexander K. Williams, London (CA);
Jonathan W. Hoy, London (CA)
(73) Assignee: **Exterior Wall Systems Limited**,
London, Ontario (CA)

D397,452 S * 8/1998 Franson D25/124
D432,675 S * 10/2000 Grosfillex D25/124
D437,945 S * 2/2001 Mast D25/199
D457,052 S * 5/2002 Snyder D8/349
D541,955 S * 5/2007 Simko D25/125
D561,353 S * 2/2008 Antonic D25/122
D666,328 S * 8/2012 Morton D25/122
D666,329 S * 8/2012 Morton D25/122
D732,207 S * 6/2015 Campbell D25/124
D775,373 S * 12/2016 Veerasawmy D25/124
D777,948 S * 1/2017 Veerasawmy D25/119
D809,704 S * 2/2018 Klus D26/142
D815,308 S * 4/2018 Schuit D25/124
2015/0300027 A1 * 10/2015 Day E04F 13/0862
52/489.1

(**) Term: **15 Years**

* cited by examiner

(21) Appl. No.: **29/653,343**

Primary Examiner — Jennifer Rivard

(22) Filed: **Jun. 14, 2018**

Assistant Examiner — Alison M Ofstun

(51) **LOC (11) Cl.** **08-08**

(74) *Attorney, Agent, or Firm* — Peter L. Brewer; Thrive IP

(52) **U.S. Cl.**

USPC **D8/349**; D25/124

(58) **Field of Classification Search**

USPC D8/349, 354, 382, 383, 384, 403;
D25/113, 114, 119, 120–125, 131, 136,
D25/199; D21/484, 486, 500, 501, 839,
D21/468, 470, 471, 478, 479; D3/10
CPC ... E04F 13/0826; E04F 13/12; E04F 13/0889;
E04F 13/08; E04H 1/00; E04H 15/34;
E04H 15/646; E04B 1/34326; E04B
2001/5856; E04B 2001/5875; Y10S
135/909; Y10T 403/349; Y10T 403/341;
Y10T 403/347

See application file for complete search history.

(56) **References Cited**

U.S. PATENT DOCUMENTS

D317,513 S * 6/1991 Miller D13/155
5,094,051 A * 3/1992 Miller E04F 13/0812
52/235

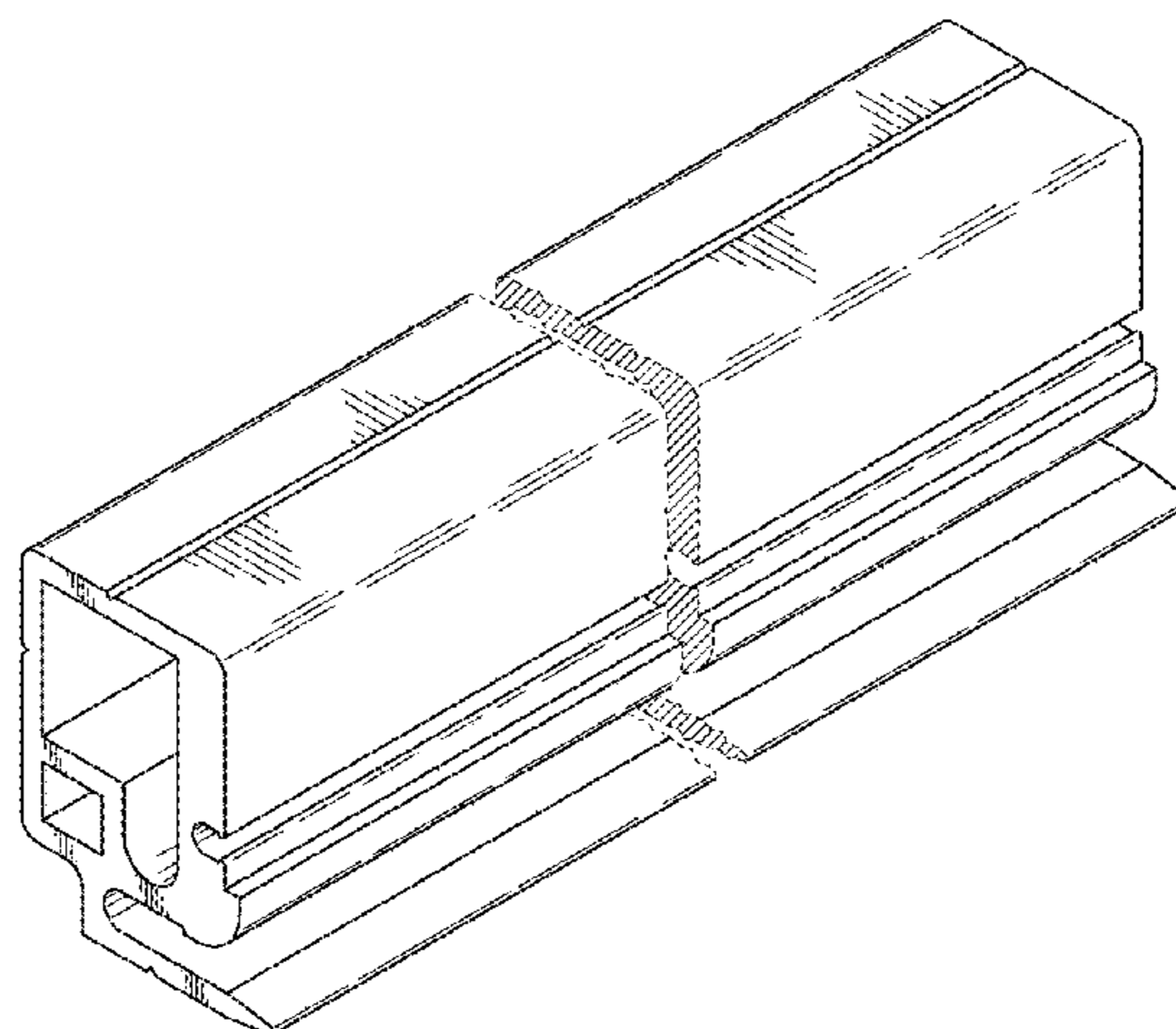
(57) **CLAIM**

The ornamental design for a perimeter strip for wall panel system, as shown and described.

DESCRIPTION

FIG. 1 is a first perspective view of a perimeter strip for wall panel system showing our new design;
FIG. 2 is a front plan view thereof.
FIG. 3 is a rear plan view thereof.
FIG. 4 is a left side elevation view thereof.
FIG. 5 is a right side elevation view thereof.
FIG. 6 is a top plan view thereof; and,
FIG. 7 is a bottom plan view thereof.
The article is shown with a symbolic break in its length. The appearance of any portion of the article between the break lines forms no part of the claimed design.

1 Claim, 3 Drawing Sheets



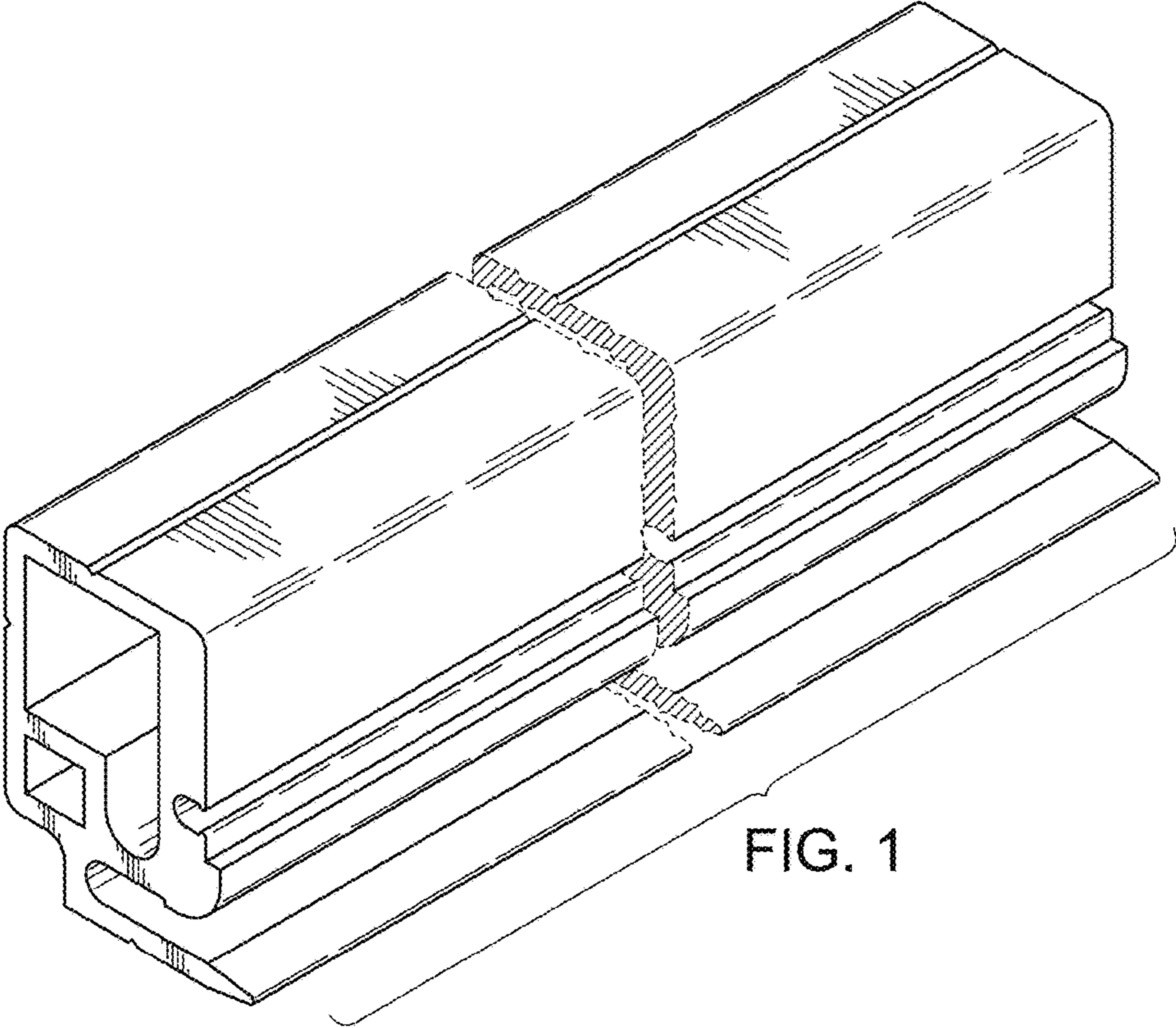


FIG. 1

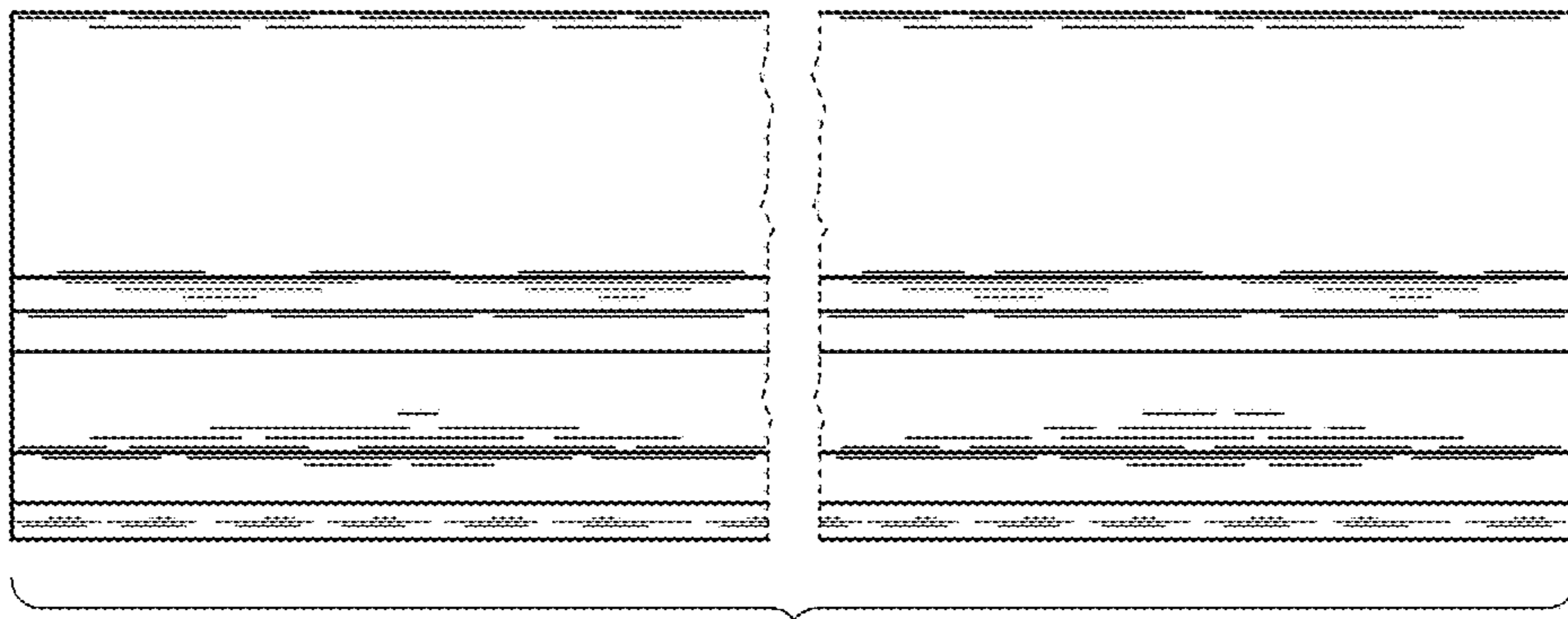


FIG. 2

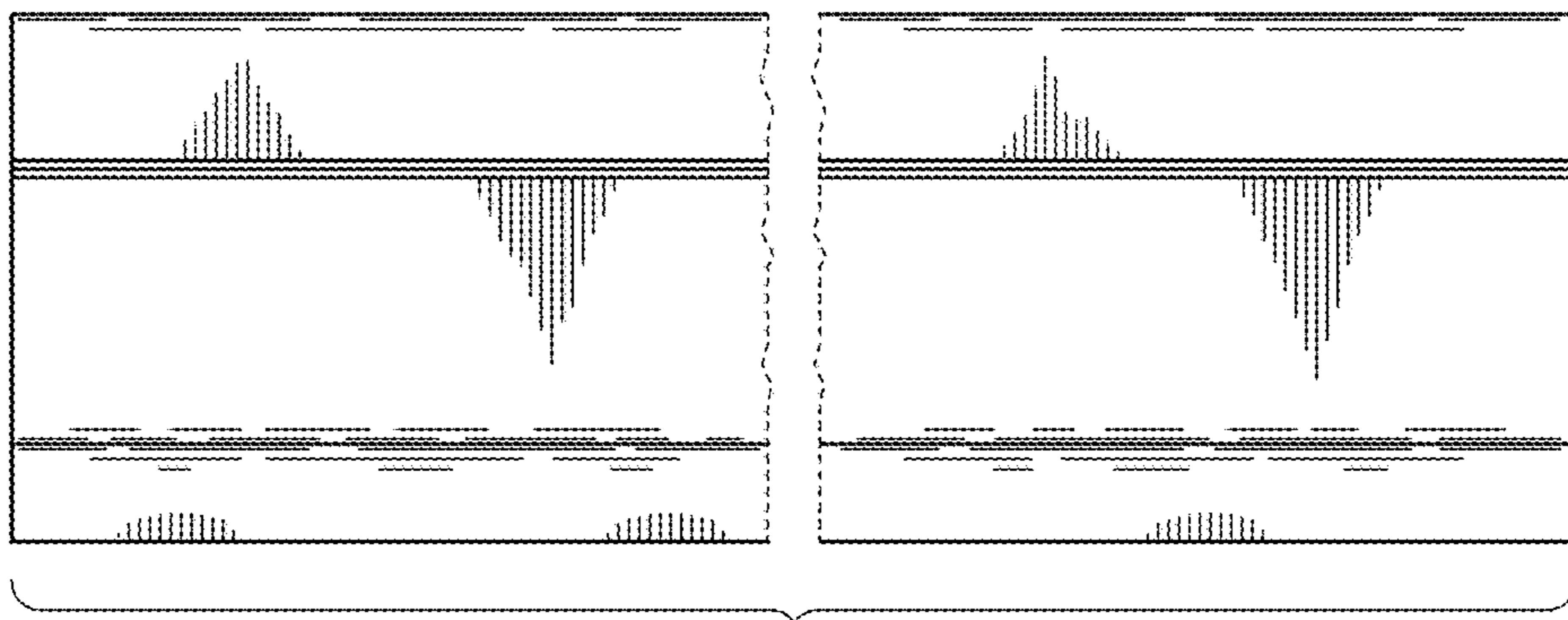


FIG. 3

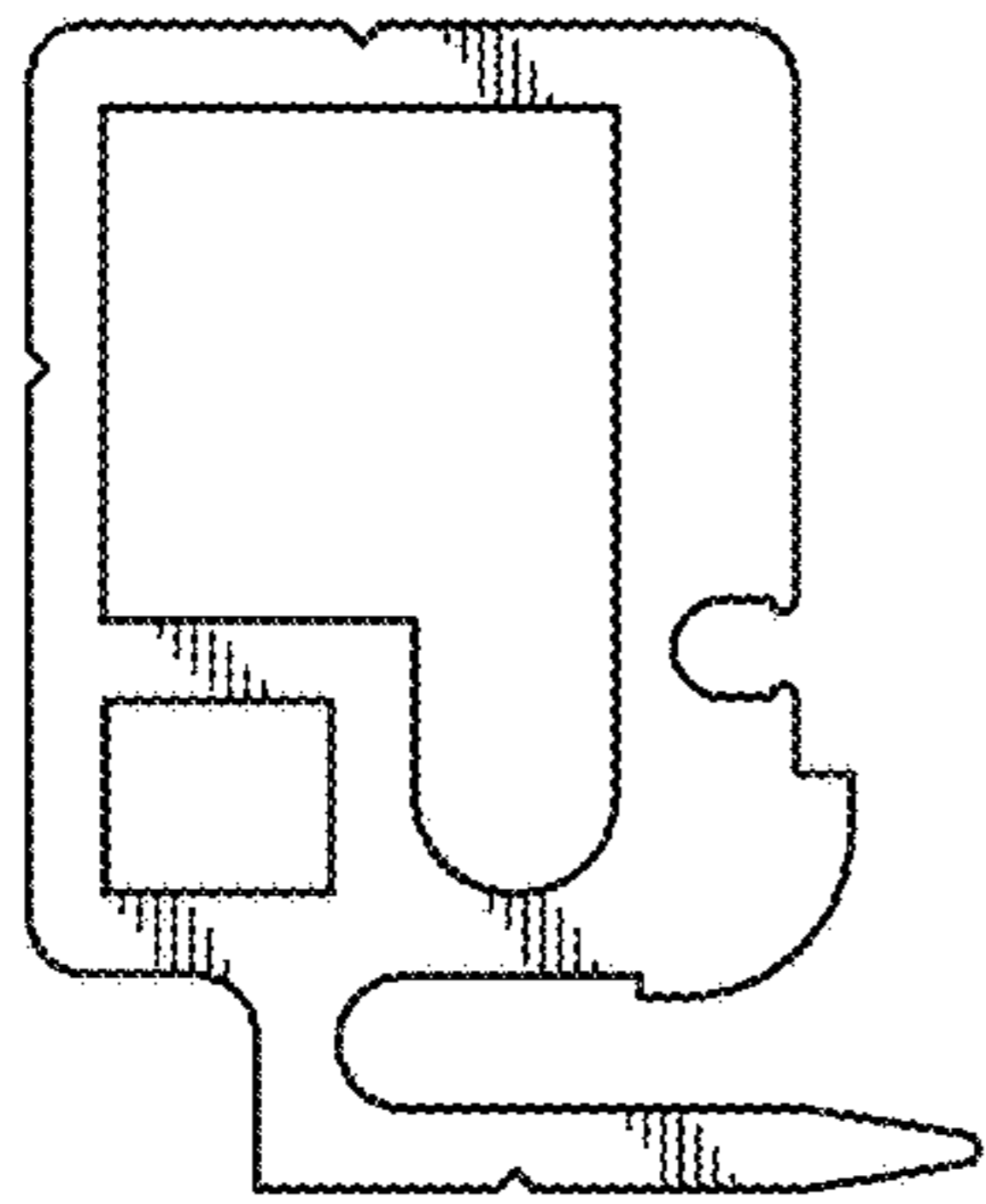


FIG. 4

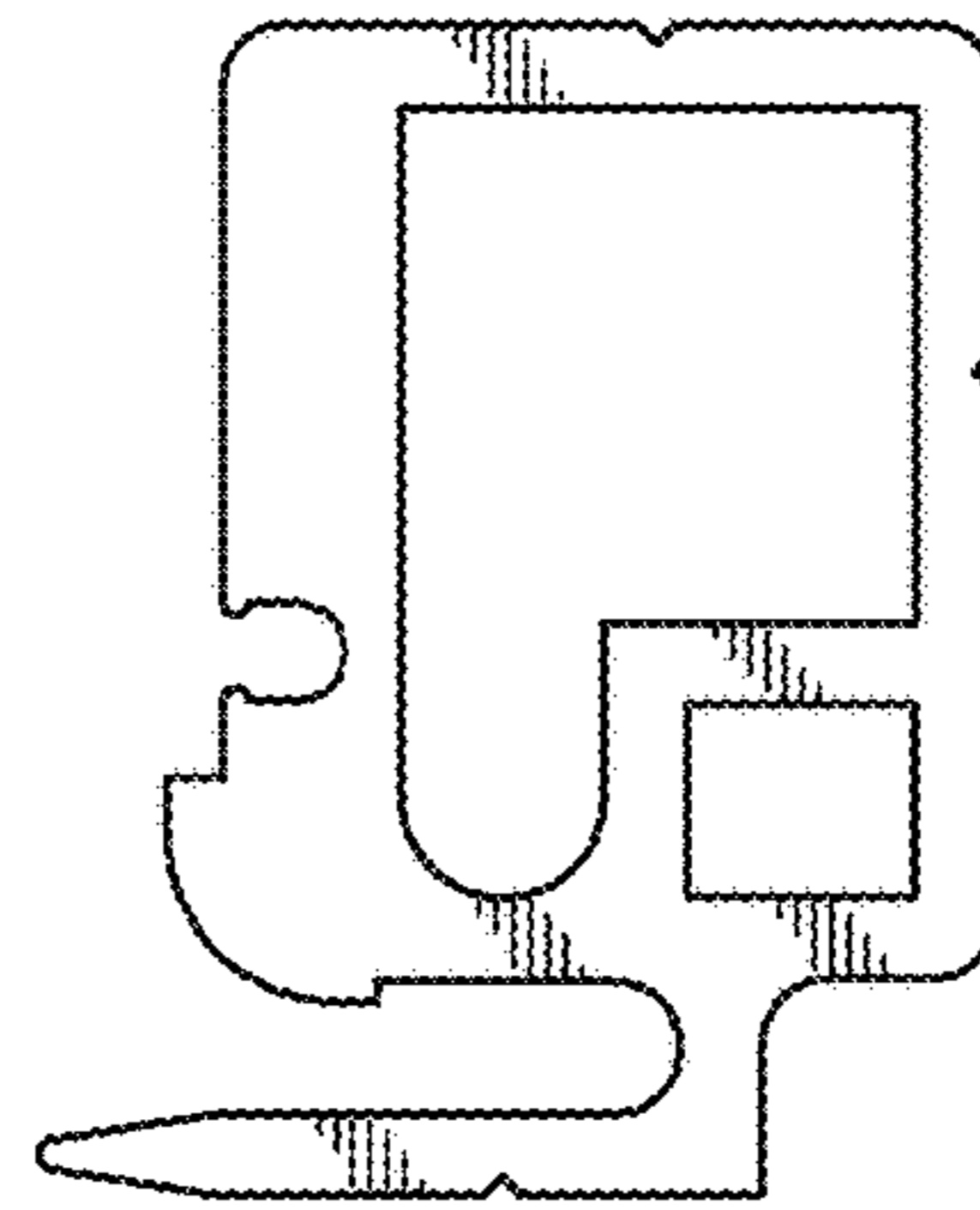


FIG. 5

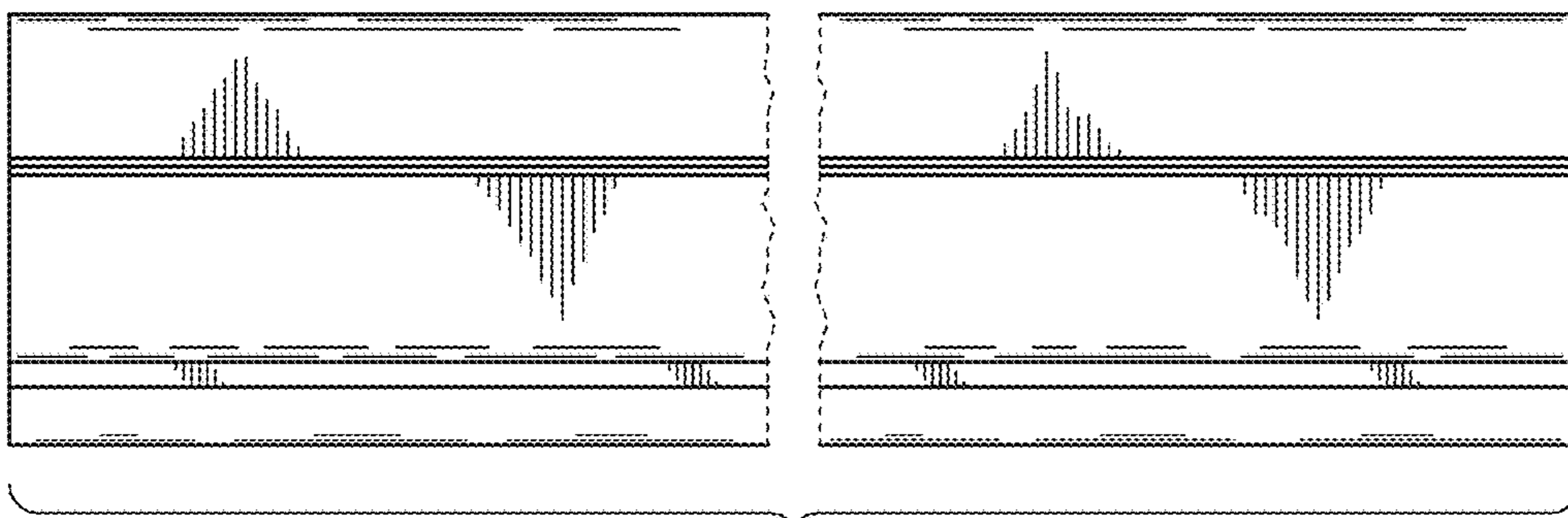


FIG. 6

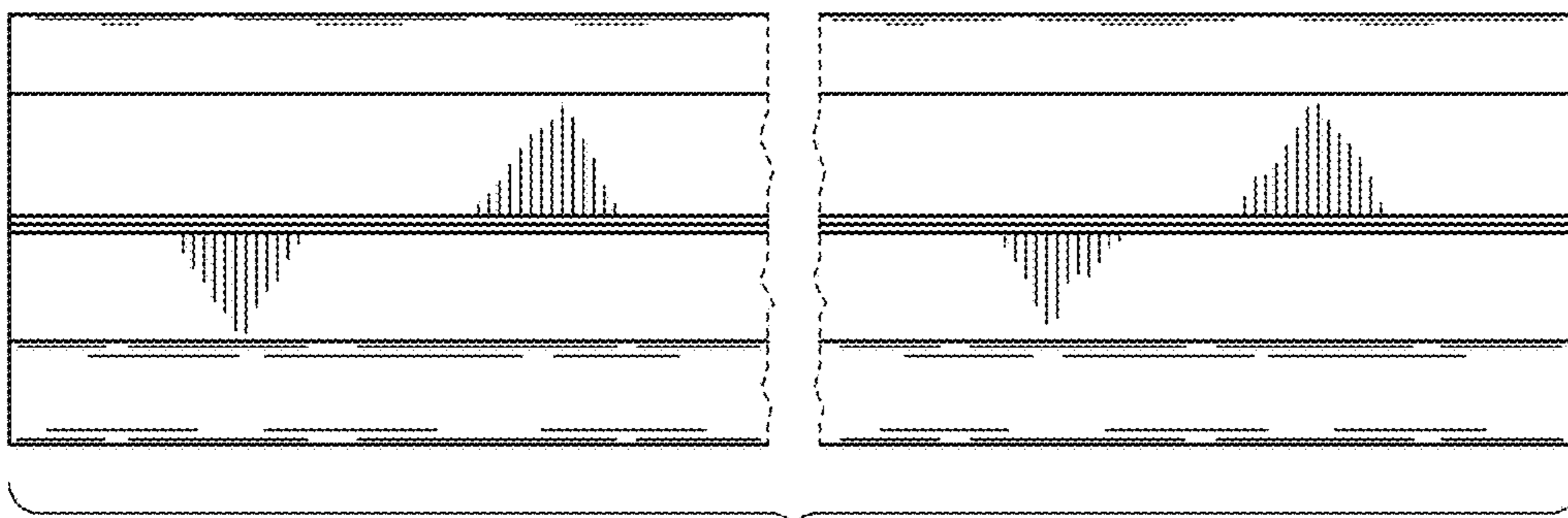


FIG. 7