

US00D834396S

(12) **United States Design Patent** (10) **Patent No.:** **US D834,396 S**
Macdonald et al. (45) **Date of Patent:** **** Nov. 27, 2018**

(54) **TEE CUBE CONNECTOR FOR WALL PANEL SYSTEM**

(56) **References Cited**

U.S. PATENT DOCUMENTS

- (71) Applicant: **Exterior Wall Systems Limited**,
London, Ontario (CA)
- (72) Inventors: **Robert B. Macdonald**, London (CA);
Philip A. Macdonald, London (CA);
Alexander K. Williams, London (CA);
Jonathan W. Hoy, London (CA)
- (73) Assignee: **Exterior Wall Systems Limited**,
London, Ontario (CA)
- (**) Term: **15 Years**
- (21) Appl. No.: **29/650,803**
- (22) Filed: **Jun. 10, 2018**

- 117,370 A * 7/1871 Bates E04H 15/44
135/121
- D174,951 S * 6/1955 Frishburg 446/111
- 2,869,692 A * 1/1959 Hassett B01D 46/10
52/578
- 2,926,941 A * 3/1960 Thompson A47B 47/0008
403/173
- 3,252,287 A * 5/1966 Suzuki E02B 3/129
273/160
- 3,424,178 A * 1/1969 Yazaki A01G 9/16
135/157
- 3,645,569 A * 2/1972 Reilly A47B 47/0008
403/4
- D264,049 S * 4/1982 Magner D8/382
- D272,766 S * 2/1984 Guerriero D25/68
- D306,690 S * 3/1990 Bison D8/373
- D342,328 S * 12/1993 Granstrom D25/126
- D355,589 S * 2/1995 Kuwata D8/382

(Continued)

Primary Examiner — Jennifer Rivard
Assistant Examiner — Alison M Ofstun
 (74) *Attorney, Agent, or Firm* — Peter L. Brewer; Thrive IP

Related U.S. Application Data

(62) Division of application No. 29/592,480, filed on Jan. 31, 2017.

(51) **LOC (11) Cl.** **08-08**

(52) **U.S. Cl.**
USPC **D8/349**; D25/124

(58) **Field of Classification Search**
 USPC D8/349, 354, 382, 383, 384, 403;
 D25/113, 114, 119, 120–125, 131, 136,
 D25/199; D21/484, 486, 500, 501, 839,
 D21/468, 470, 471, 478, 479; D3/10
 CPC ... E04F 13/0826; E04F 13/12; E04F 13/0889;
 E04F 13/08; E04H 1/00; E04H 15/34;
 E04H 15/646; E04B 1/34326; E04B
 2001/5856; E04B 2001/5875; Y10S
 135/909; Y10T 403/349; Y10T 403/341;
 Y10T 403/347

See application file for complete search history.

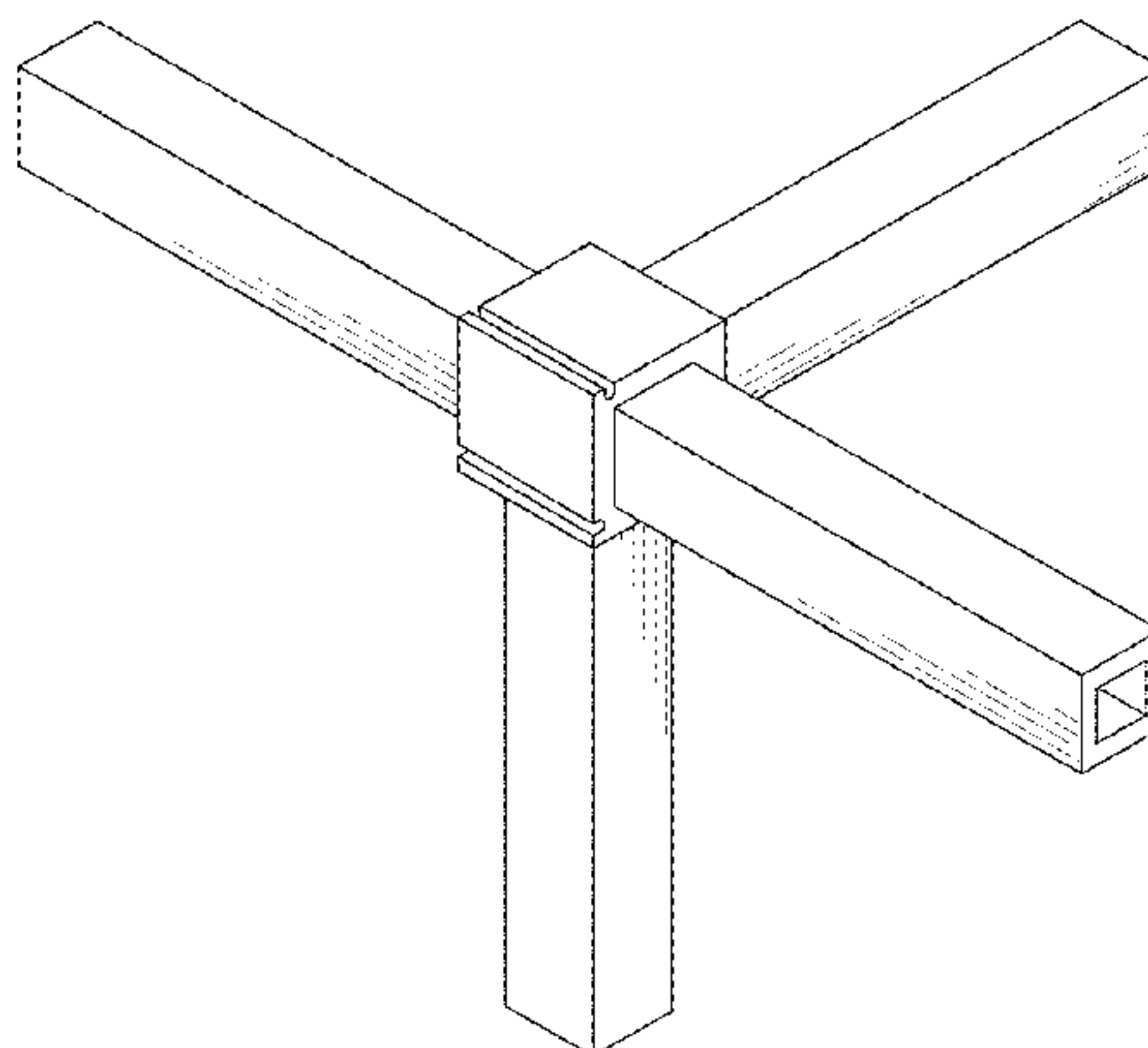
(57) **CLAIM**

The ornamental design for a tee cube connector for wall panel system, as shown and described.

DESCRIPTION

FIG. 1 is a first perspective view of a tee cube connector for wall panel system showing our new design;
 FIG. 2 is a second perspective view thereof;
 FIG. 3 is a front plan view thereof.
 FIG. 4 is a rear plan view thereof.
 FIG. 5 is a top plan view thereof.
 FIG. 6 is a bottom plan view thereof.
 FIG. 7 is a right side elevation view thereof; and,
 FIG. 8 is a left side elevation view thereof.

1 Claim, 4 Drawing Sheets



(56)

References Cited

U.S. PATENT DOCUMENTS

5,556,218 A * 9/1996 Homer E04B 1/5831
403/170
5,590,974 A * 1/1997 Yang A47B 47/005
403/171
D431,373 S * 10/2000 Zappitelli D21/479
D491,450 S * 6/2004 Braun D8/382
D583,219 S * 12/2008 Dagg D8/349
D592,492 S * 5/2009 Werschmidt D8/382
D622,864 S * 8/2010 Bajrami D25/35
9,163,394 B1 * 10/2015 Barker E04H 6/025
D783,390 S * 4/2017 Nelson D8/349
D815,300 S * 4/2018 Lin F16B 7/10
D25/38.1
2006/0029462 A1 * 2/2006 Patberg B62D 23/005
403/171

* cited by examiner

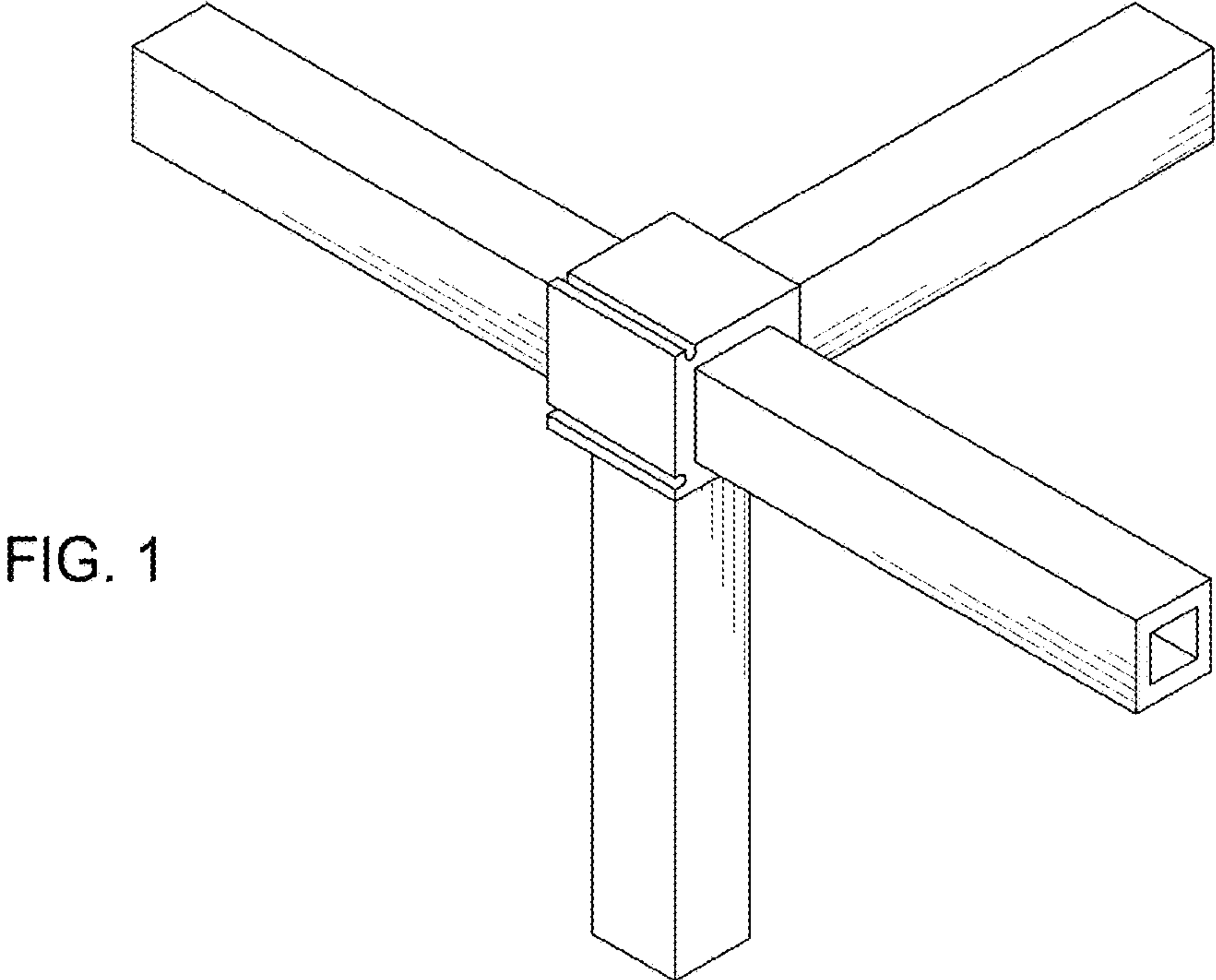


FIG. 1

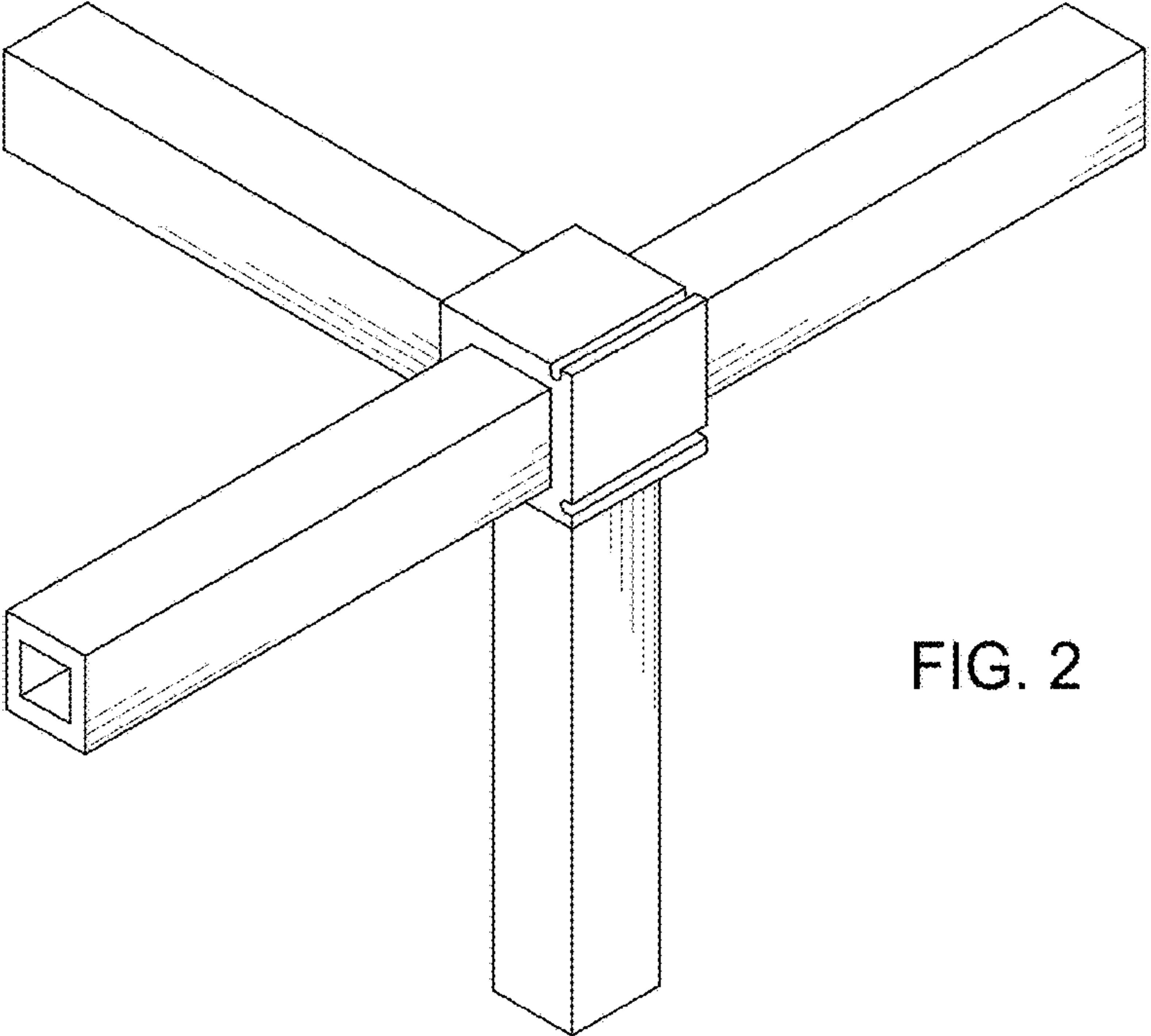


FIG. 2

FIG. 3

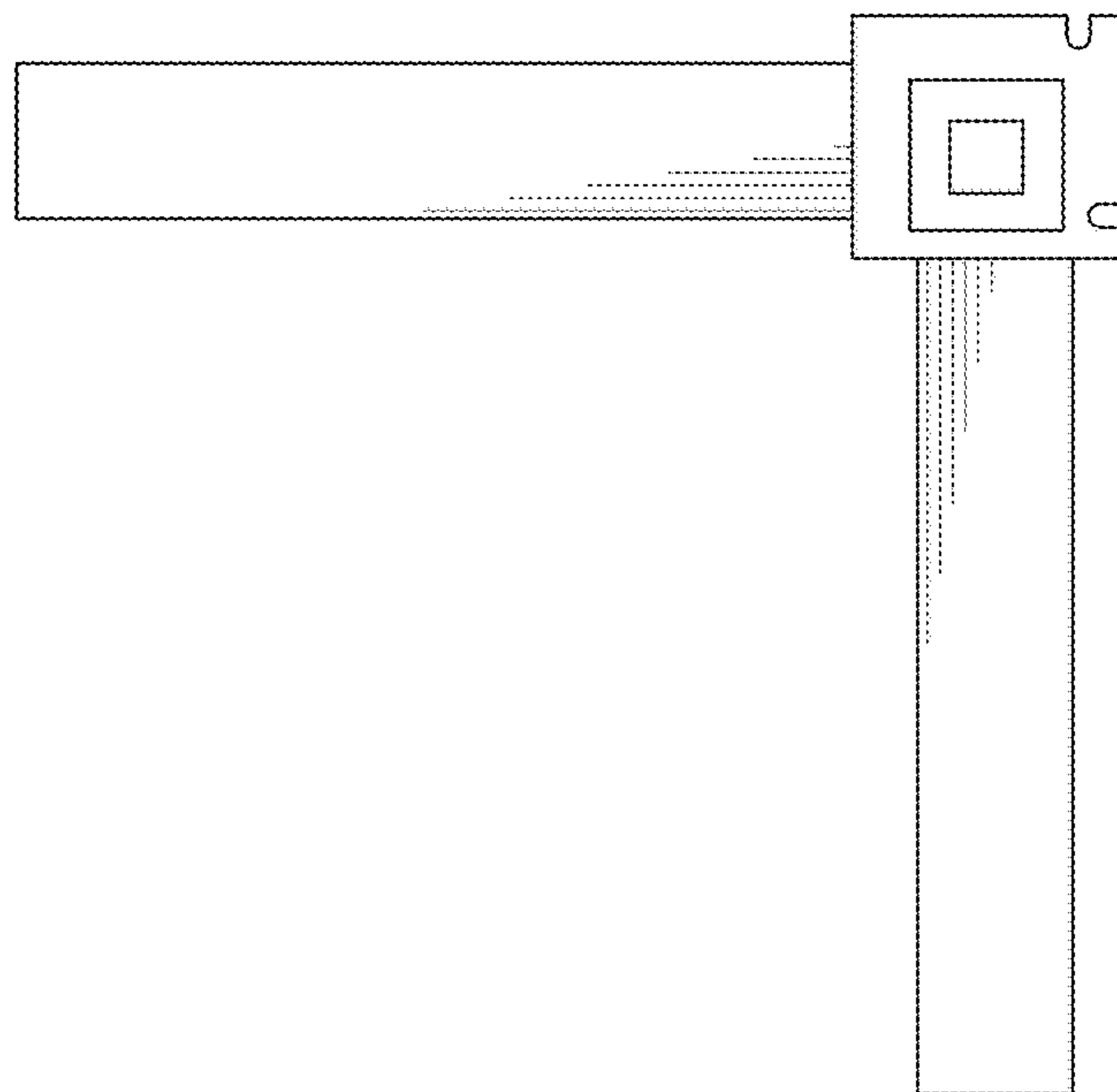
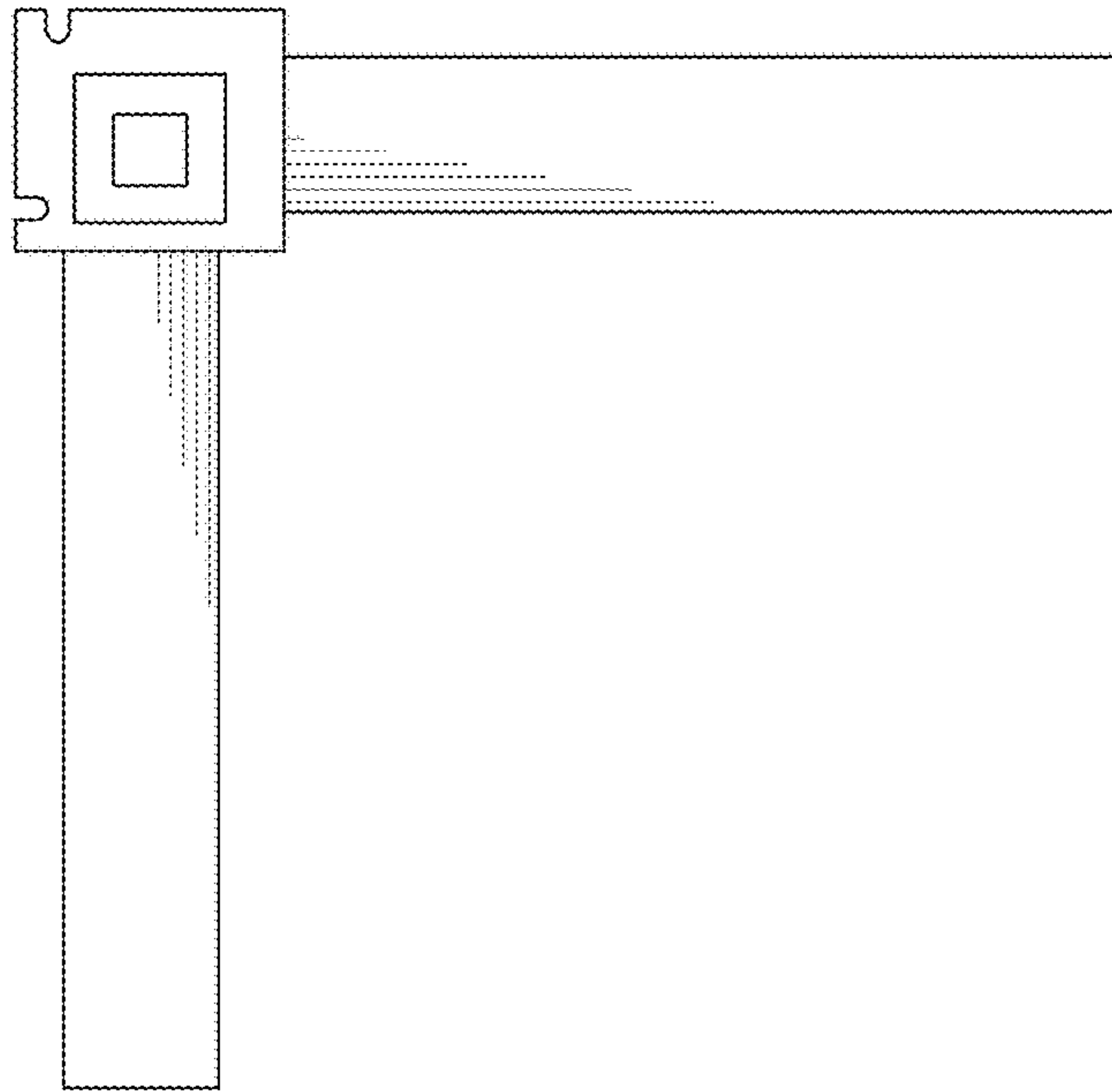


FIG. 4

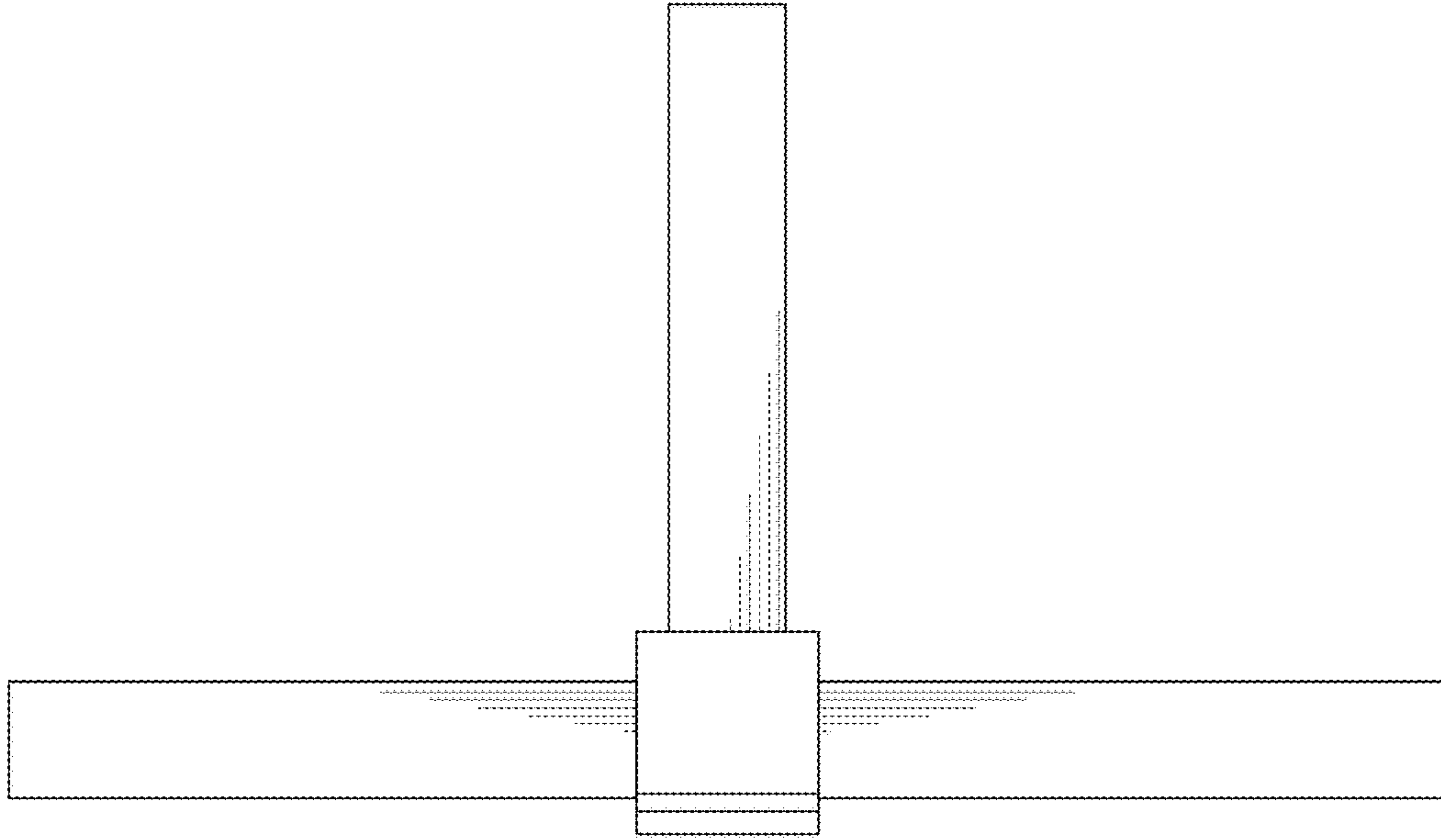


FIG. 5

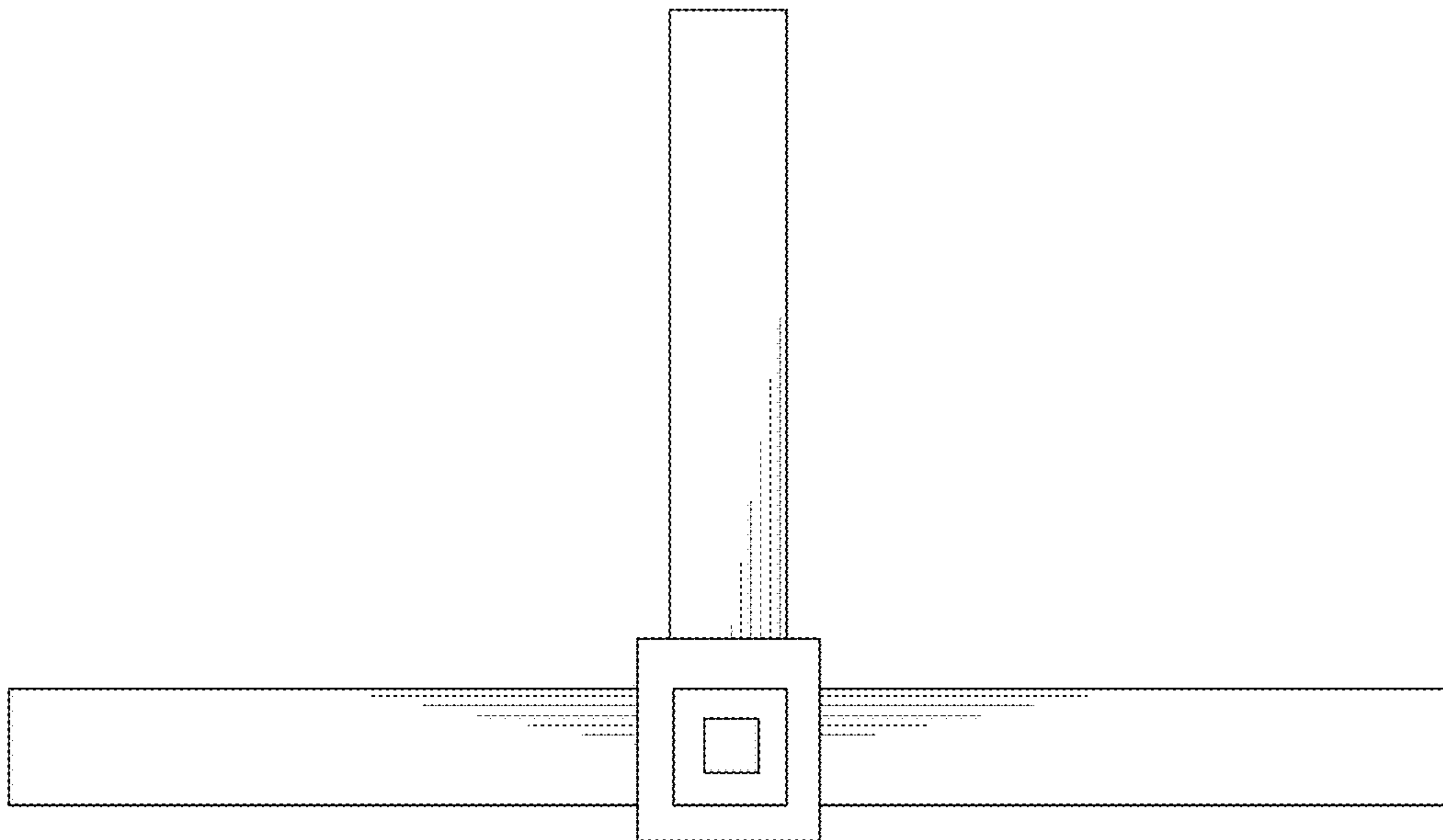


FIG. 6

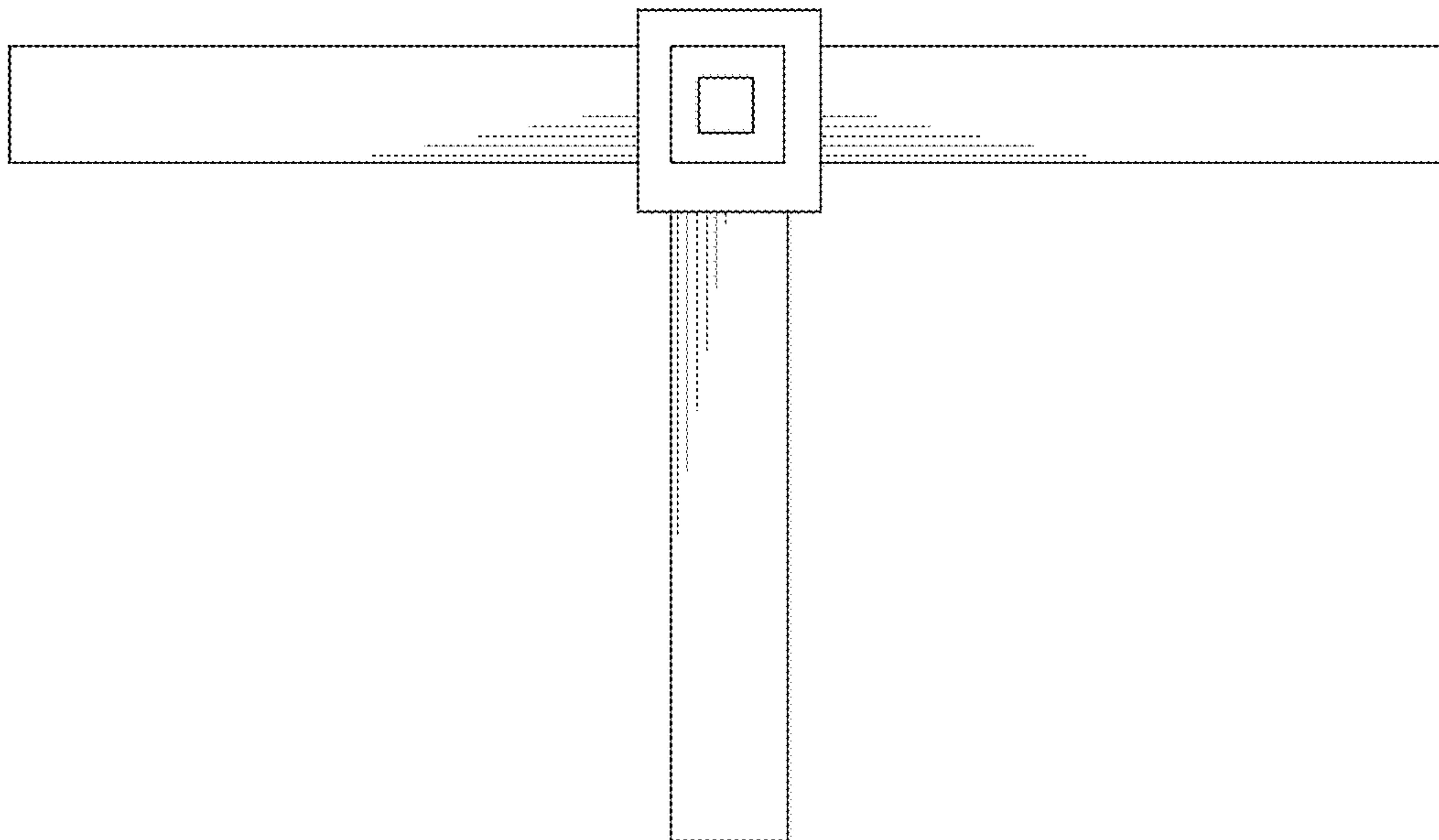


FIG. 7

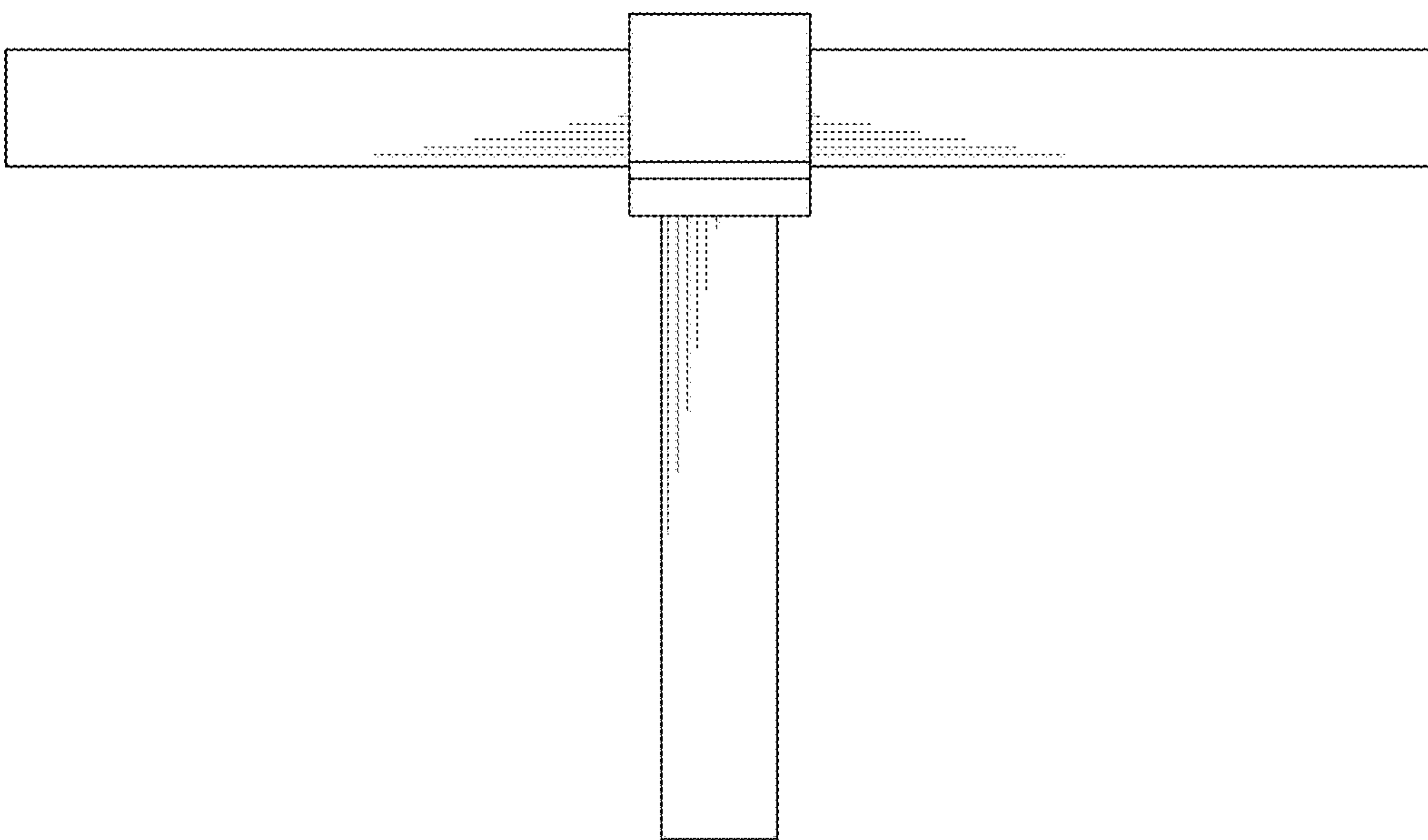


FIG. 8