



US00D834395S

(12) **United States Design Patent**
Sawatski

(10) **Patent No.:** **US D834,395 S**

(45) **Date of Patent:** **** Nov. 27, 2018**

(54) **FURNITURE FITTING**

(71) Applicant: **Häfele Berlin GmbH & Co KG**,
Berlin (DE)

(72) Inventor: **Gerd Sawatski**, Rauen (DE)

(73) Assignee: **HÄFELE BERLIN GMBH & CO**
KG, Berlin (DE)

(**) Term: **15 Years**

(21) Appl. No.: **29/630,635**

(22) Filed: **Dec. 21, 2017**

(51) **LOC (11) Cl.** **08-06**

(52) **U.S. Cl.**
USPC **D8/323**

(58) **Field of Classification Search**
USPC D8/323, 327, 328, 382; 16/269, 227, 258
CPC E05D 5/12; E05D 11/082; E05D 1/02; B64G
1/222

See application file for complete search history.

(56) **References Cited**

U.S. PATENT DOCUMENTS

D396,402 S *	7/1998	Rastovski	D8/354
D460,734 S *	7/2002	Carlson	D12/223
D615,847 S *	5/2010	Tezak	D8/349
D632,625 S *	2/2011	Tezak	D12/195
D649,791 S *	12/2011	Holzapfel	D6/323
D658,038 S *	4/2012	Ghatikar	D8/354
D659,521 S *	5/2012	Nagahori	D8/382
D678,044 S *	3/2013	Sauer	D8/382
D697,392 S *	1/2014	Sauer	D8/382
D711,727 S *	8/2014	Sauer	D8/382

D775,270 S *	12/2016	Moffat	D17/20
D797,987 S *	9/2017	Fujisawa	D26/138
D819,119 S *	5/2018	Moffat	D17/20

* cited by examiner

Primary Examiner — Cynthia R Underwood
(74) *Attorney, Agent, or Firm* — Hackler Daghighian
Martino & Novak

(57) **CLAIM**

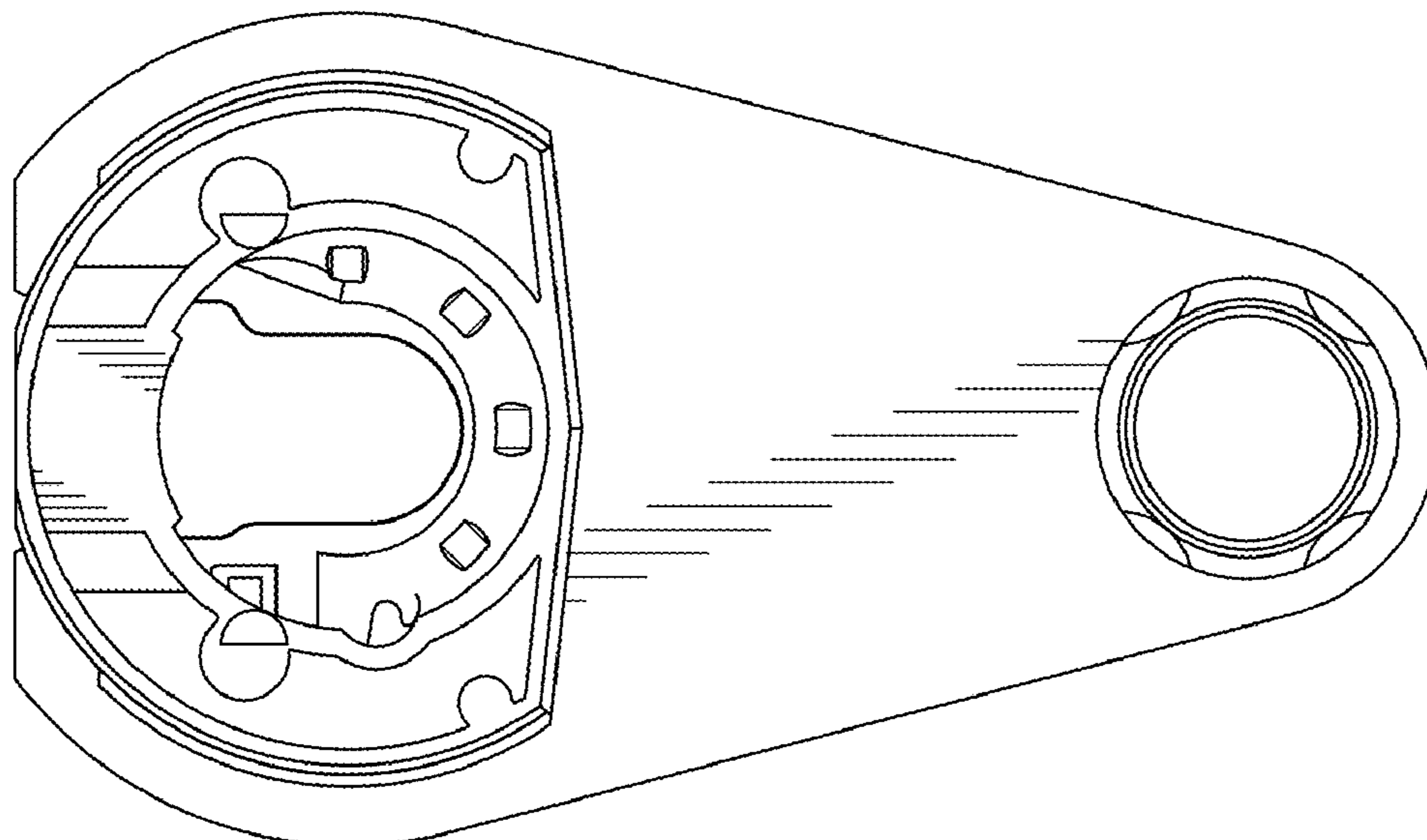
The ornamental design for a furniture fitting, as shown and described.

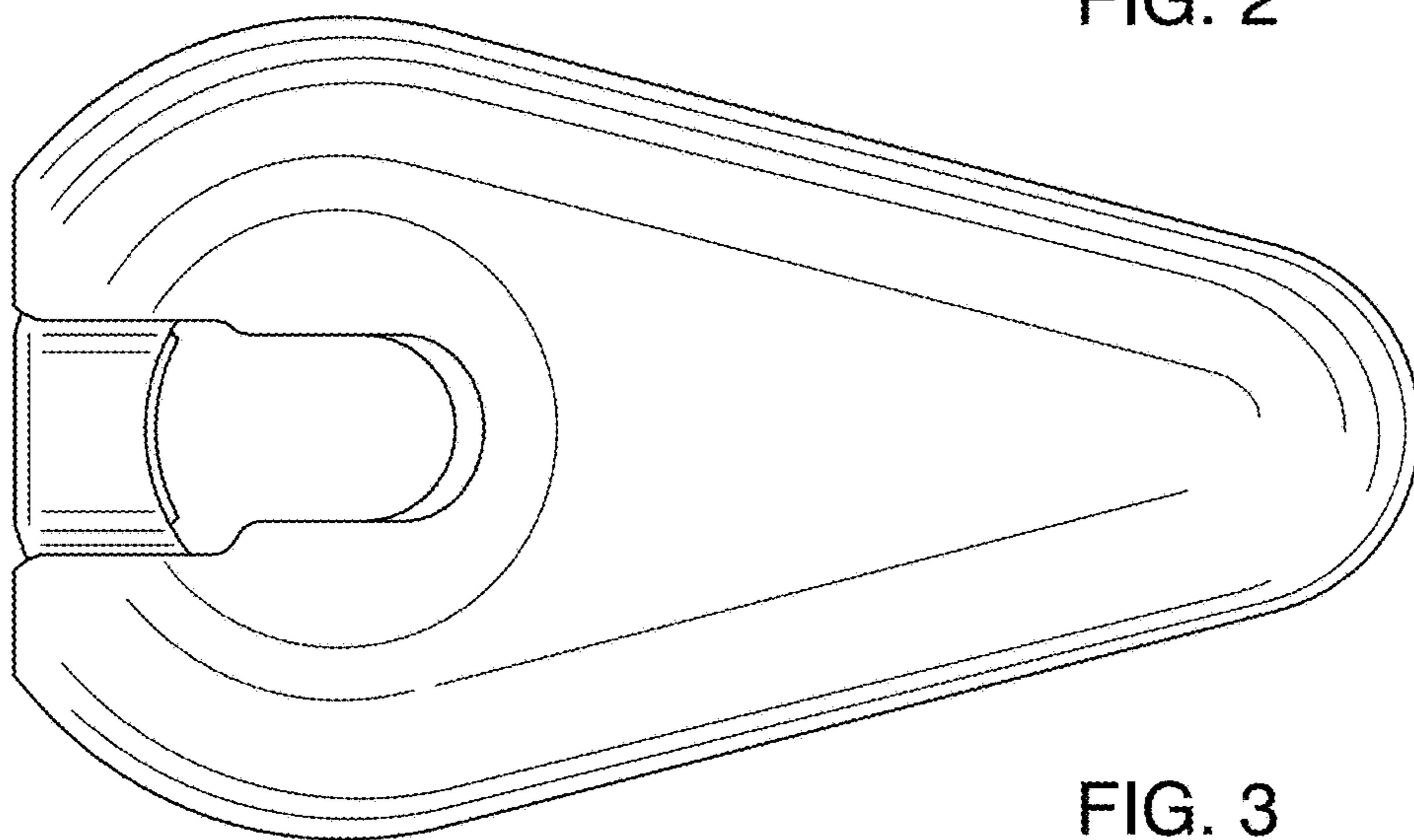
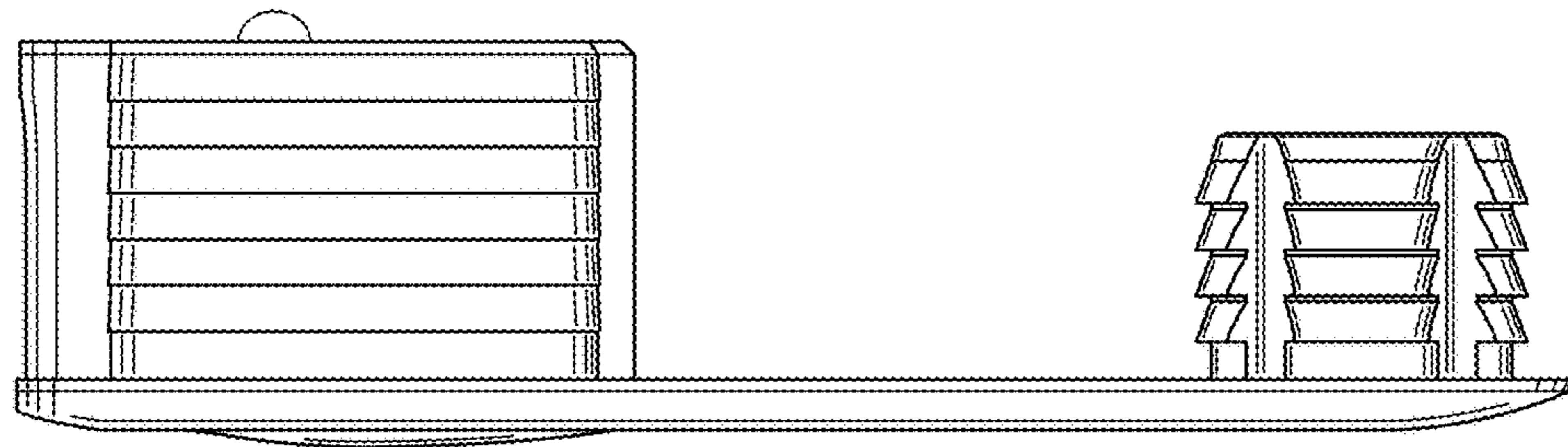
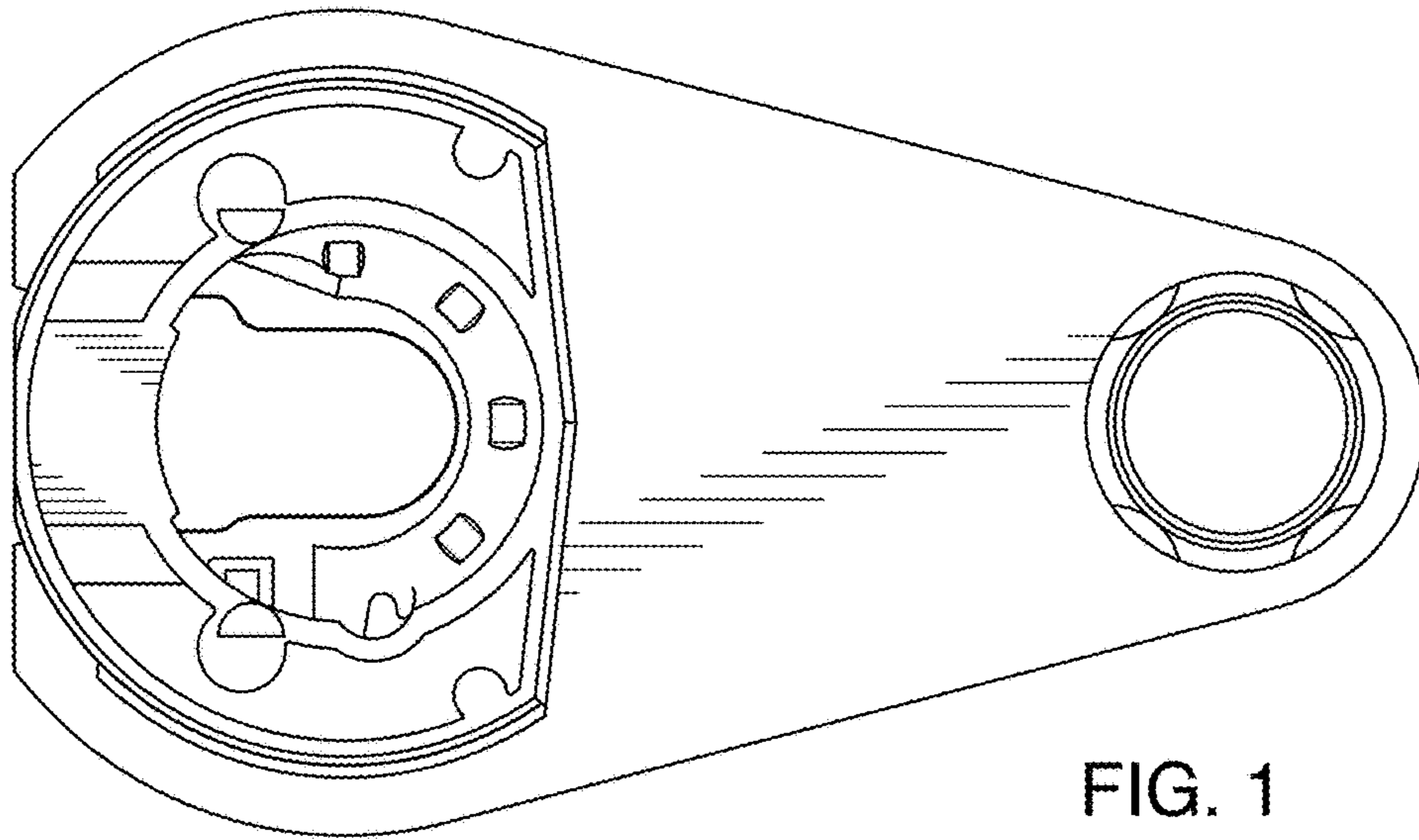
DESCRIPTION

FIG. 1 is a top plan view of a furniture fitting embodying my new design;
FIG. 2 is a front elevation view thereof;
FIG. 3 is a bottom plan view thereof;
FIG. 4 is a rear elevation view thereof;
FIG. 5 is a right side elevation view thereof;
FIG. 6 is a left side elevation view thereof;
FIG. 7 is a bottom perspective view thereof;
FIG. 8 is a top perspective view thereof;
FIG. 9 is a top plan view of a second embodiment of a furniture fitting embodying my new design;
FIG. 10 is a front elevation view thereof;
FIG. 11 is a bottom plan view thereof;
FIG. 12 is a rear elevation view thereof;
FIG. 13 is a right side elevation view thereof;
FIG. 14 is a left side elevation view thereof;
FIG. 15 is a bottom perspective view thereof; and,
FIG. 16 is a top perspective view thereof.

The broken lines depict environmental subject matter, are for illustration only and form no part of the claimed design.

1 Claim, 6 Drawing Sheets





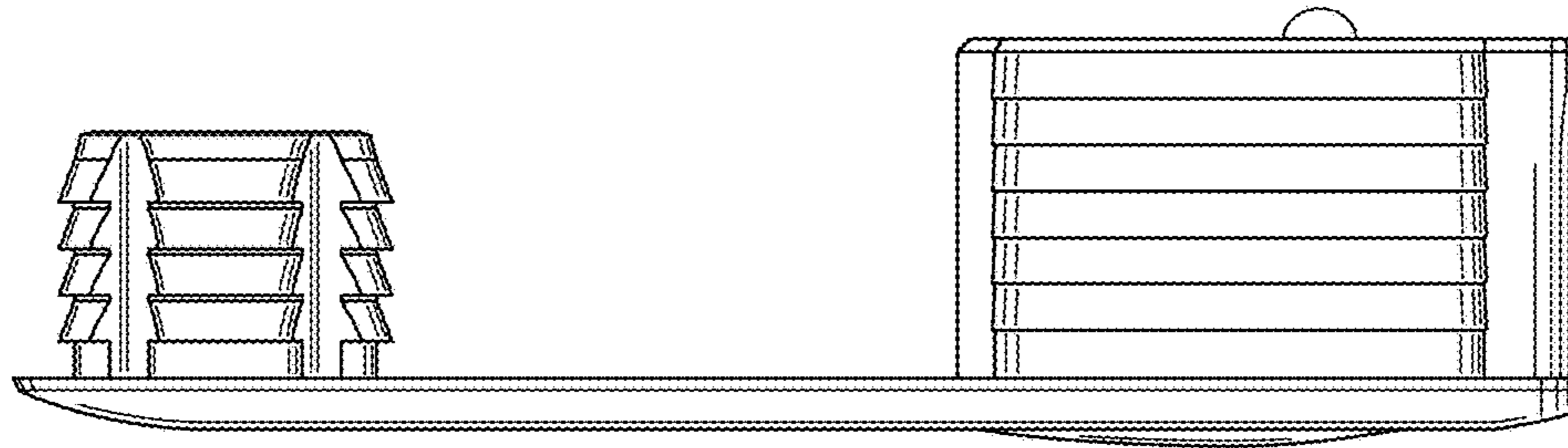


FIG. 4

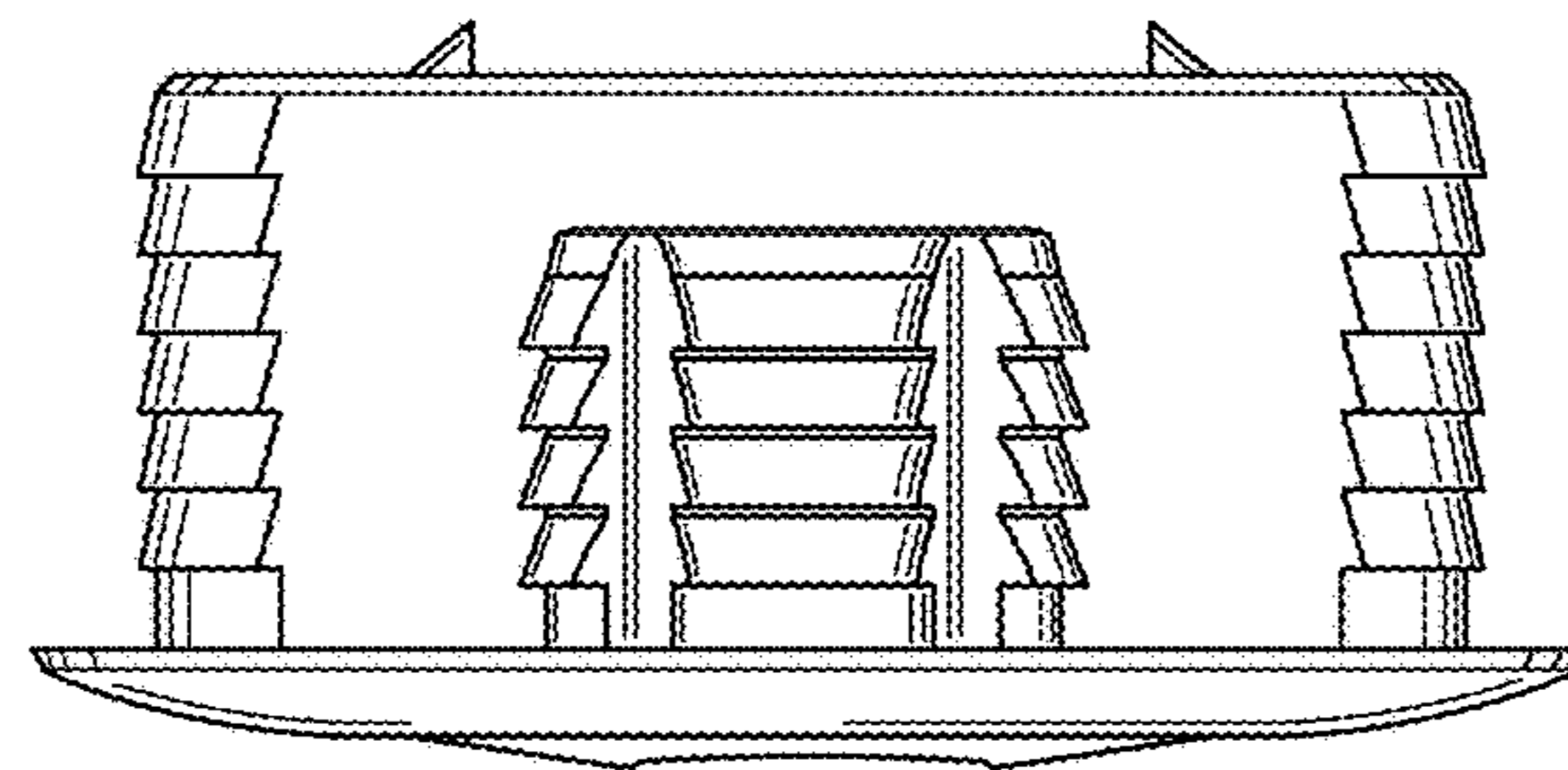


FIG. 5

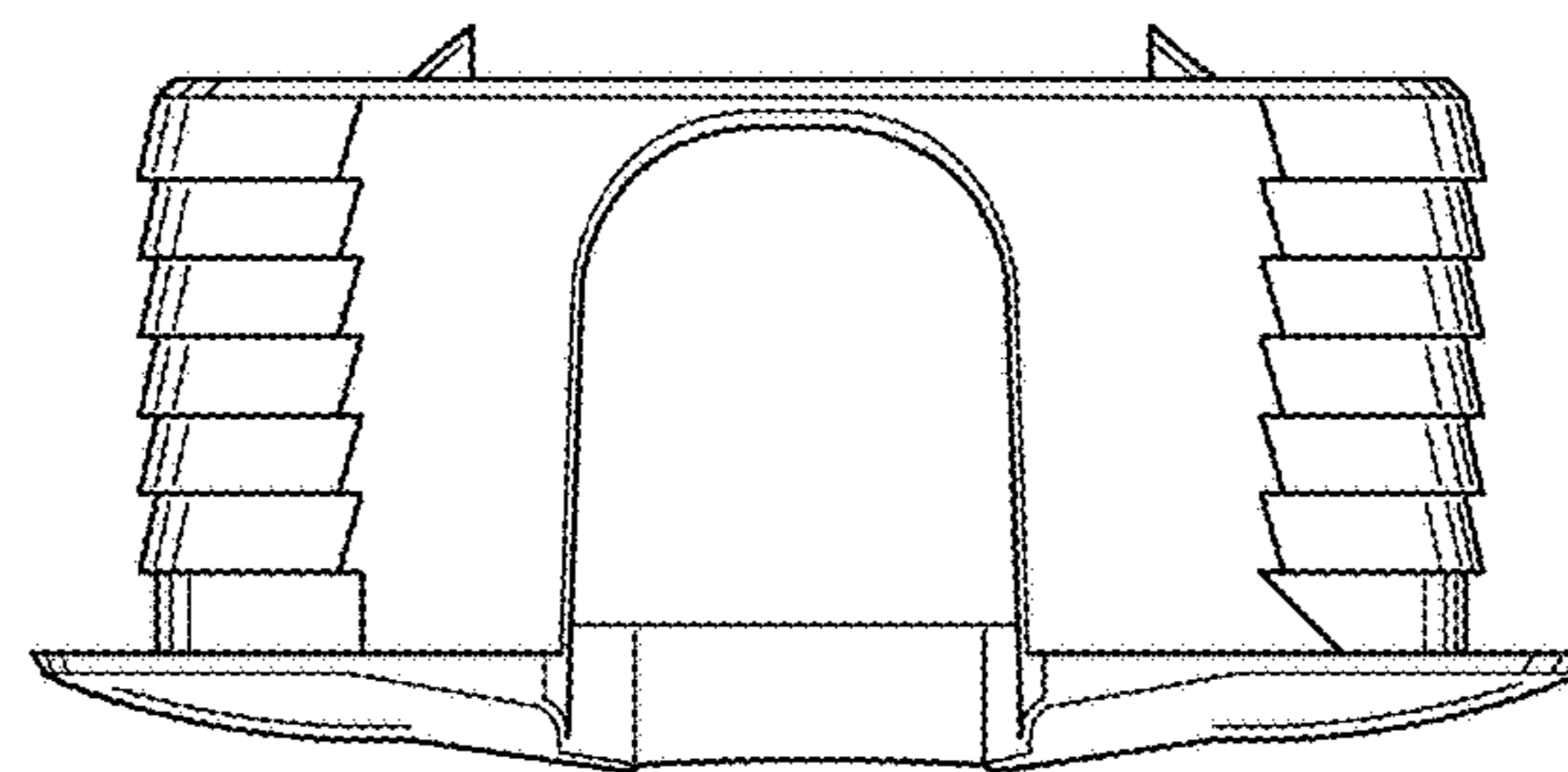


FIG. 6

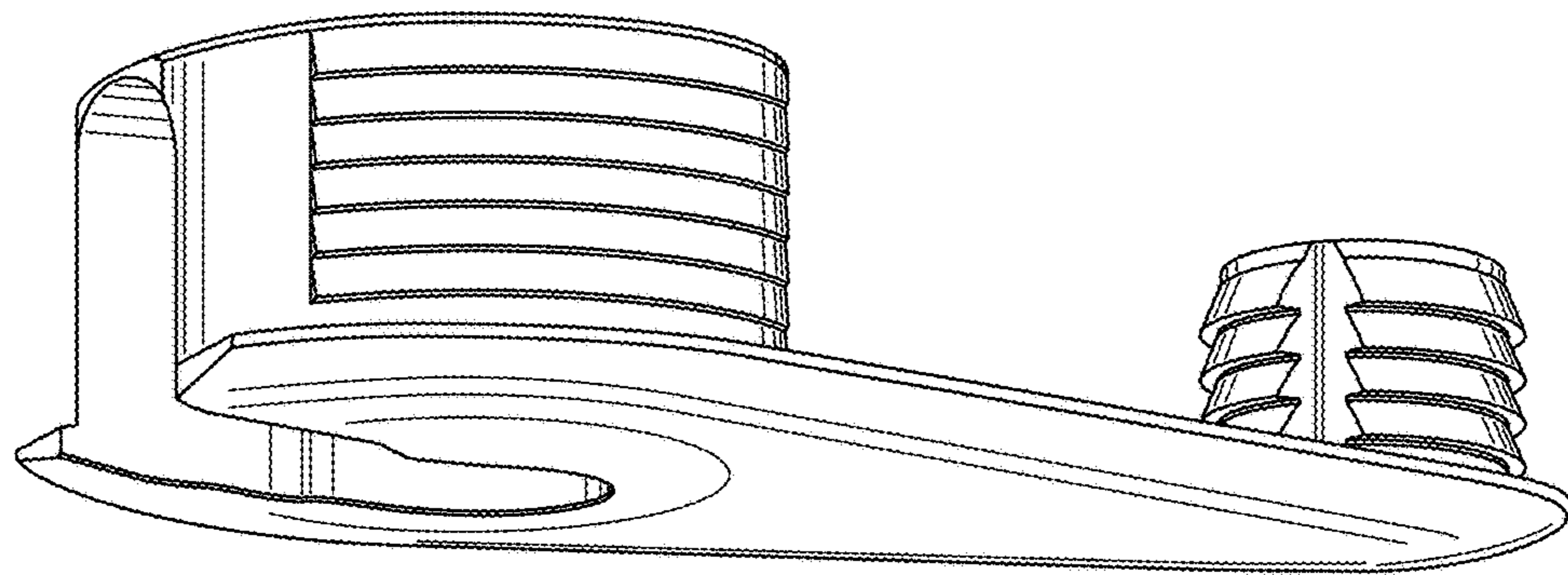


FIG. 7

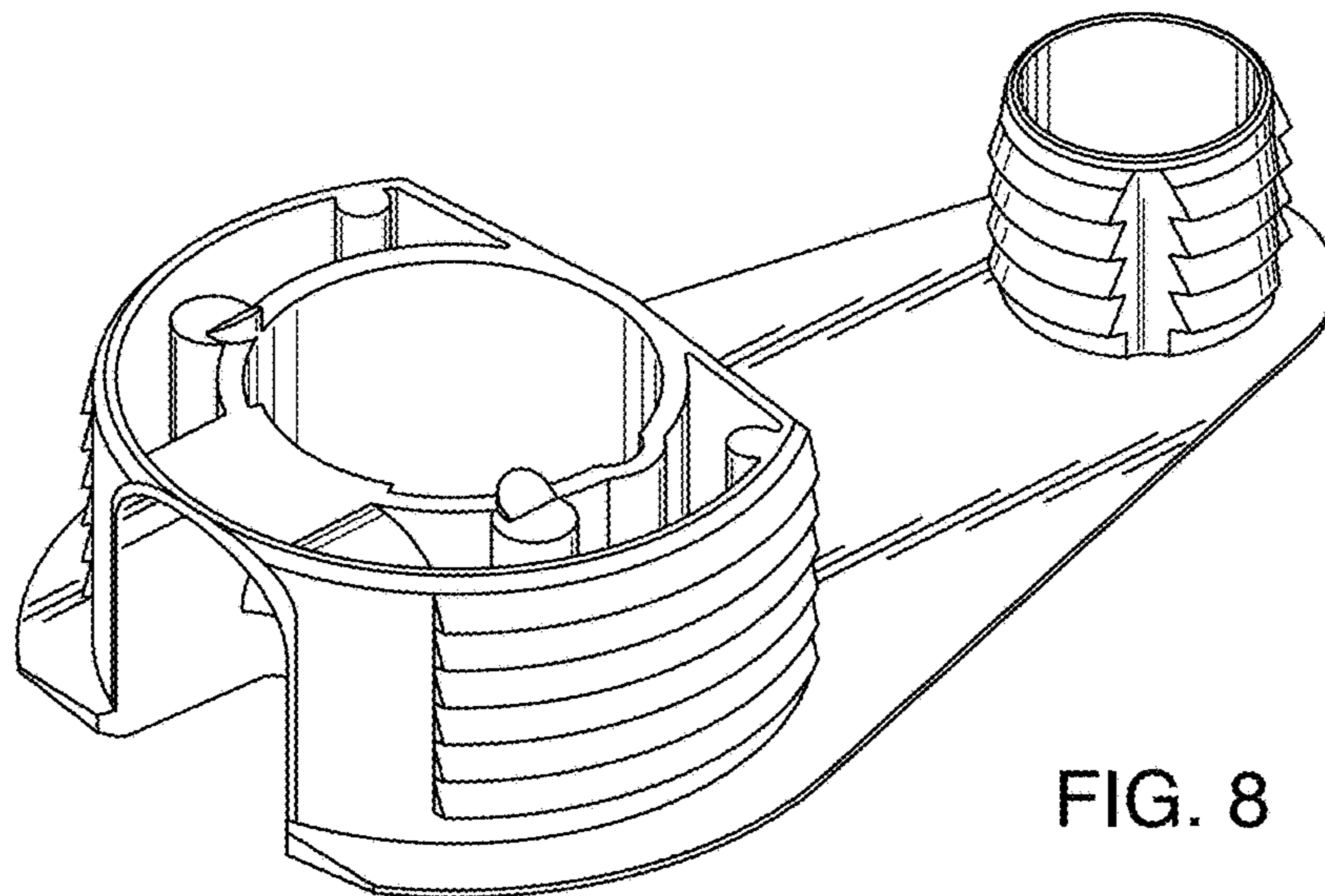


FIG. 8

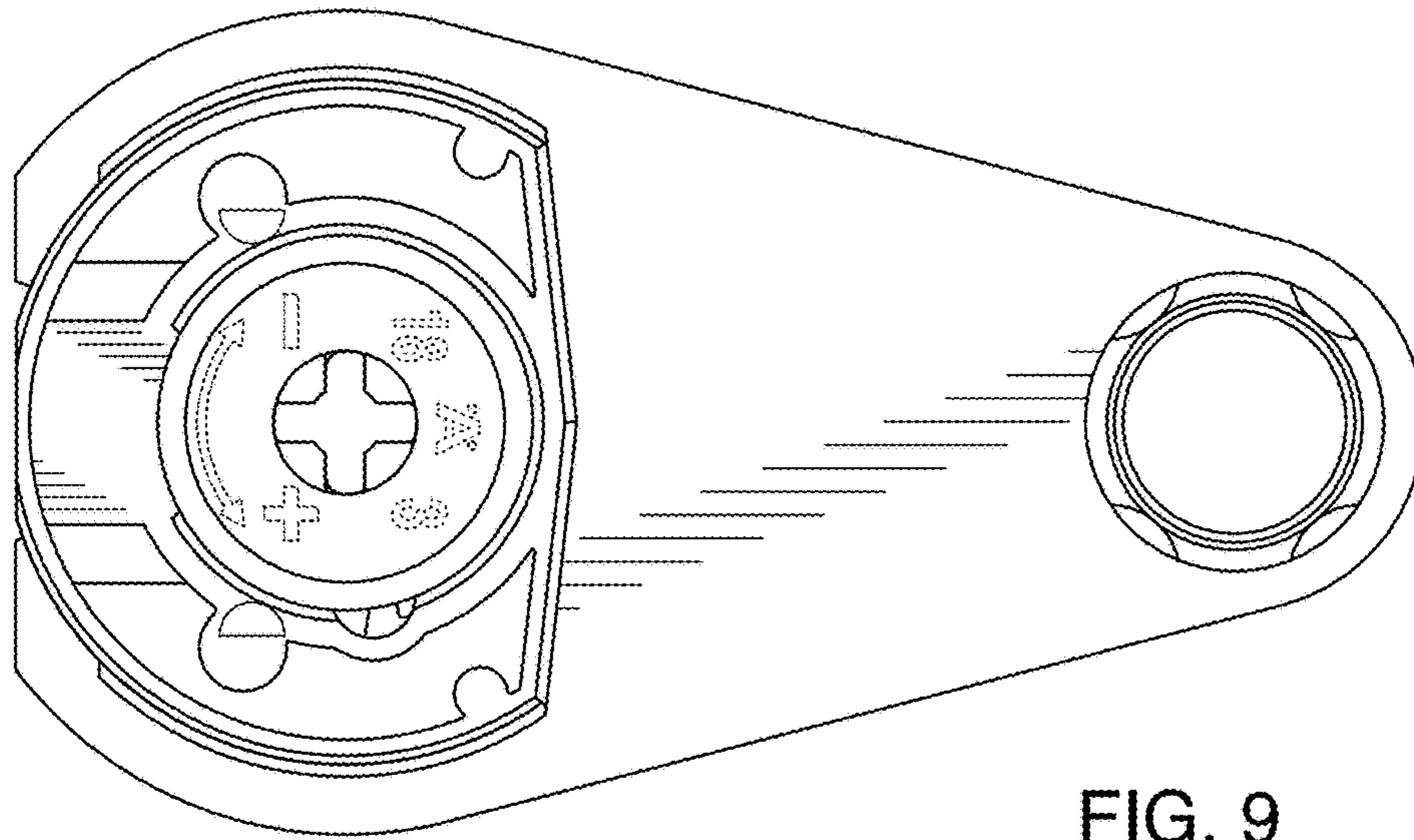


FIG. 9

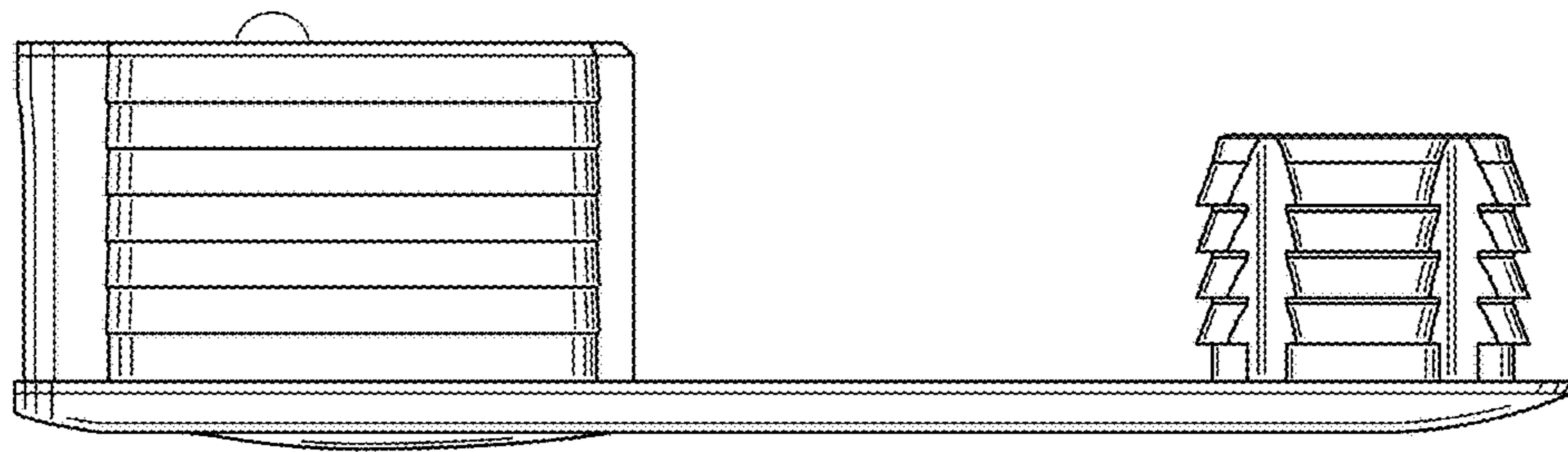


FIG. 10

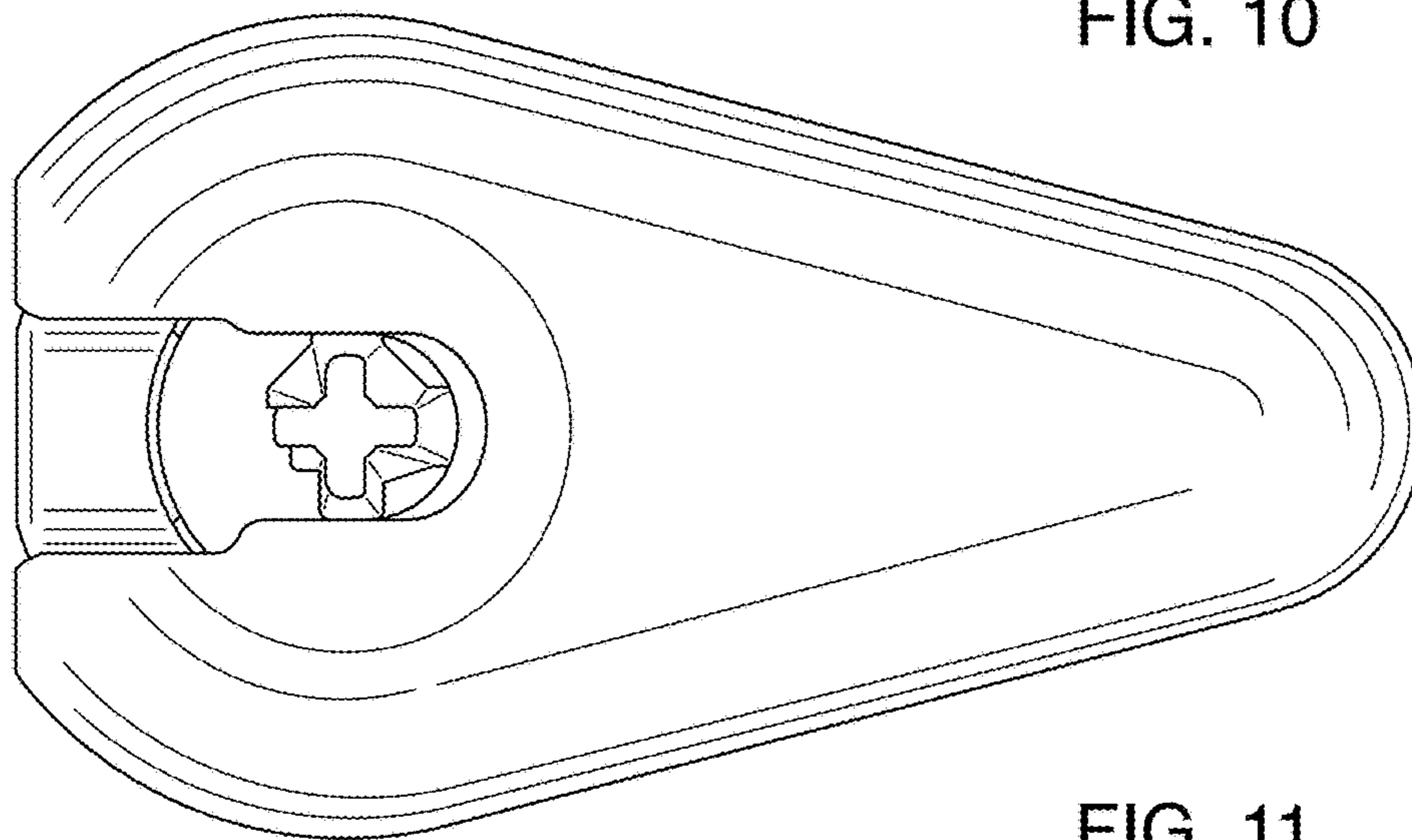


FIG. 11

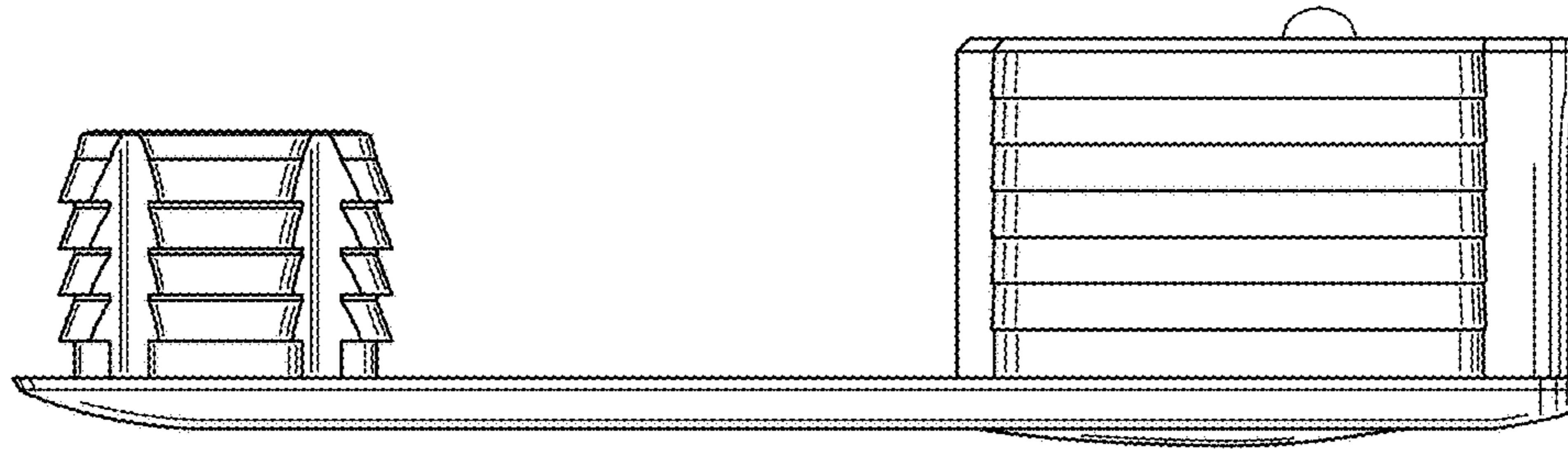


FIG. 12

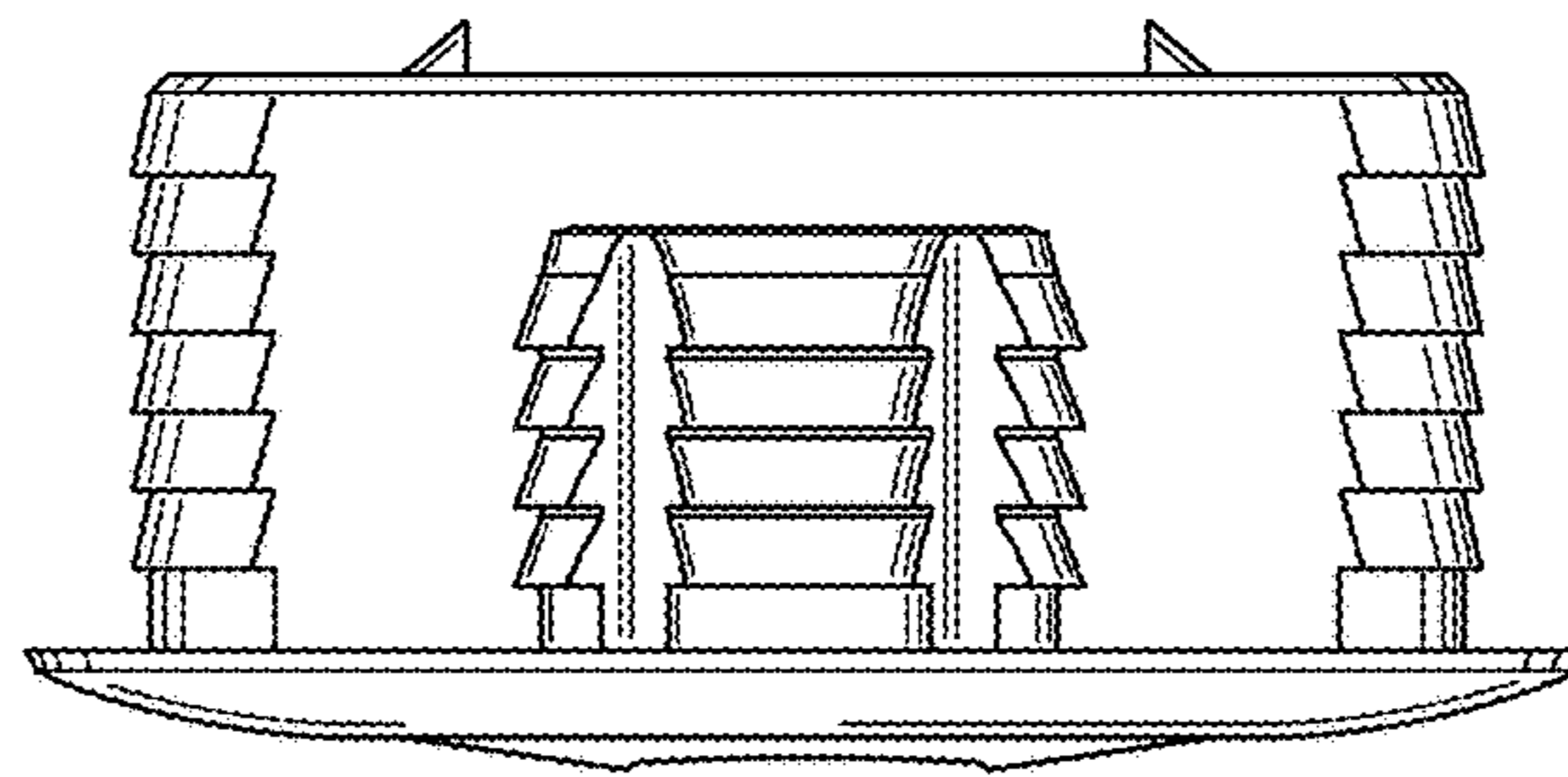


FIG. 13

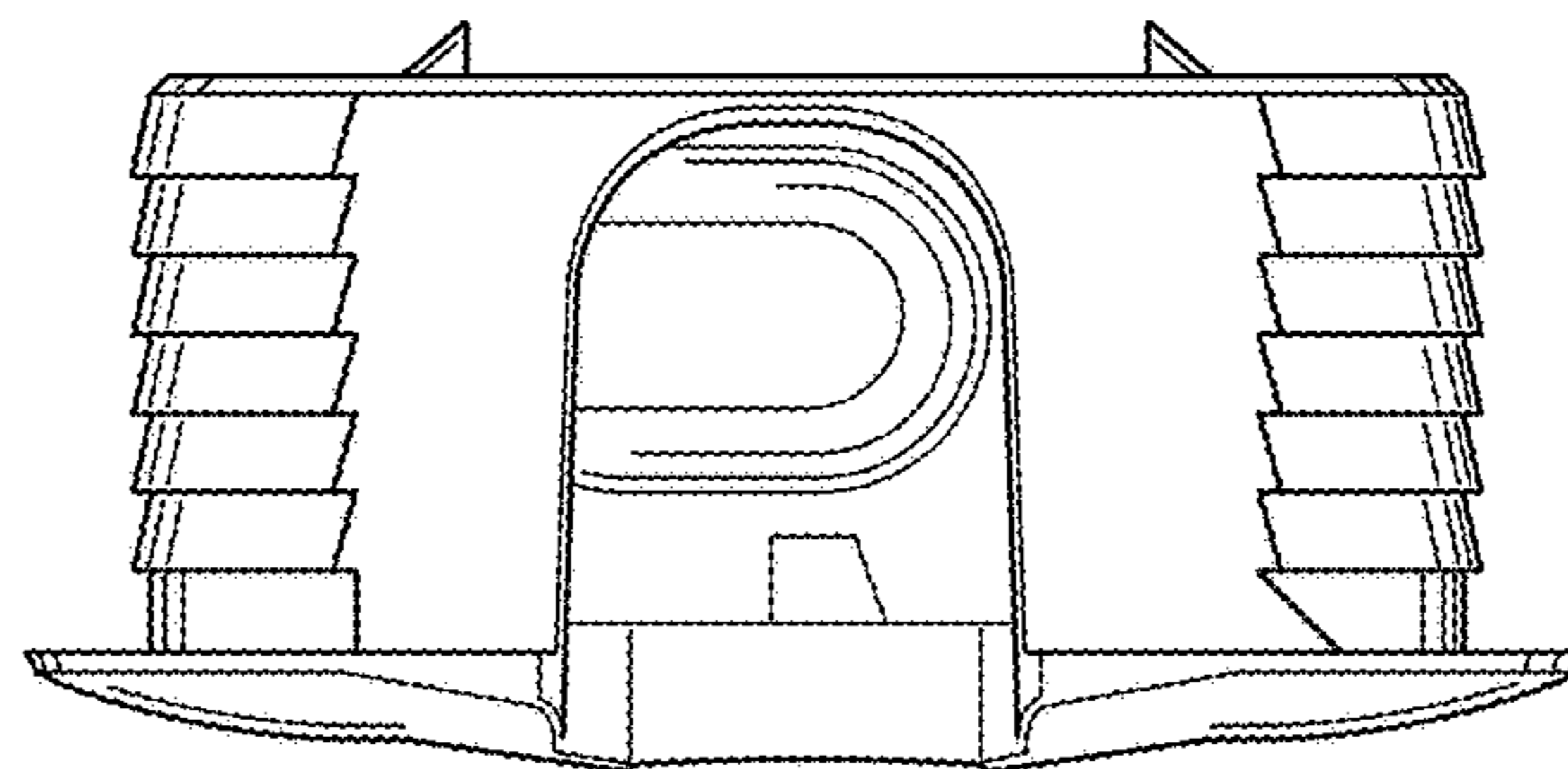


FIG. 14

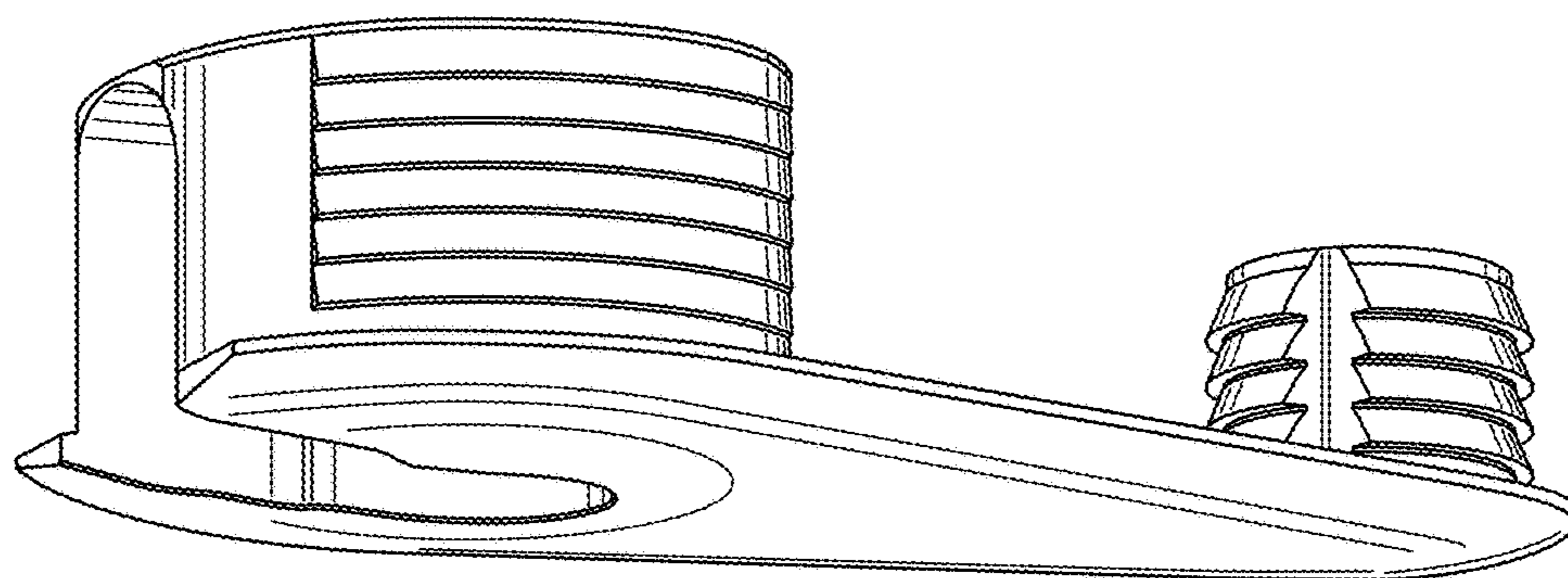


FIG. 15

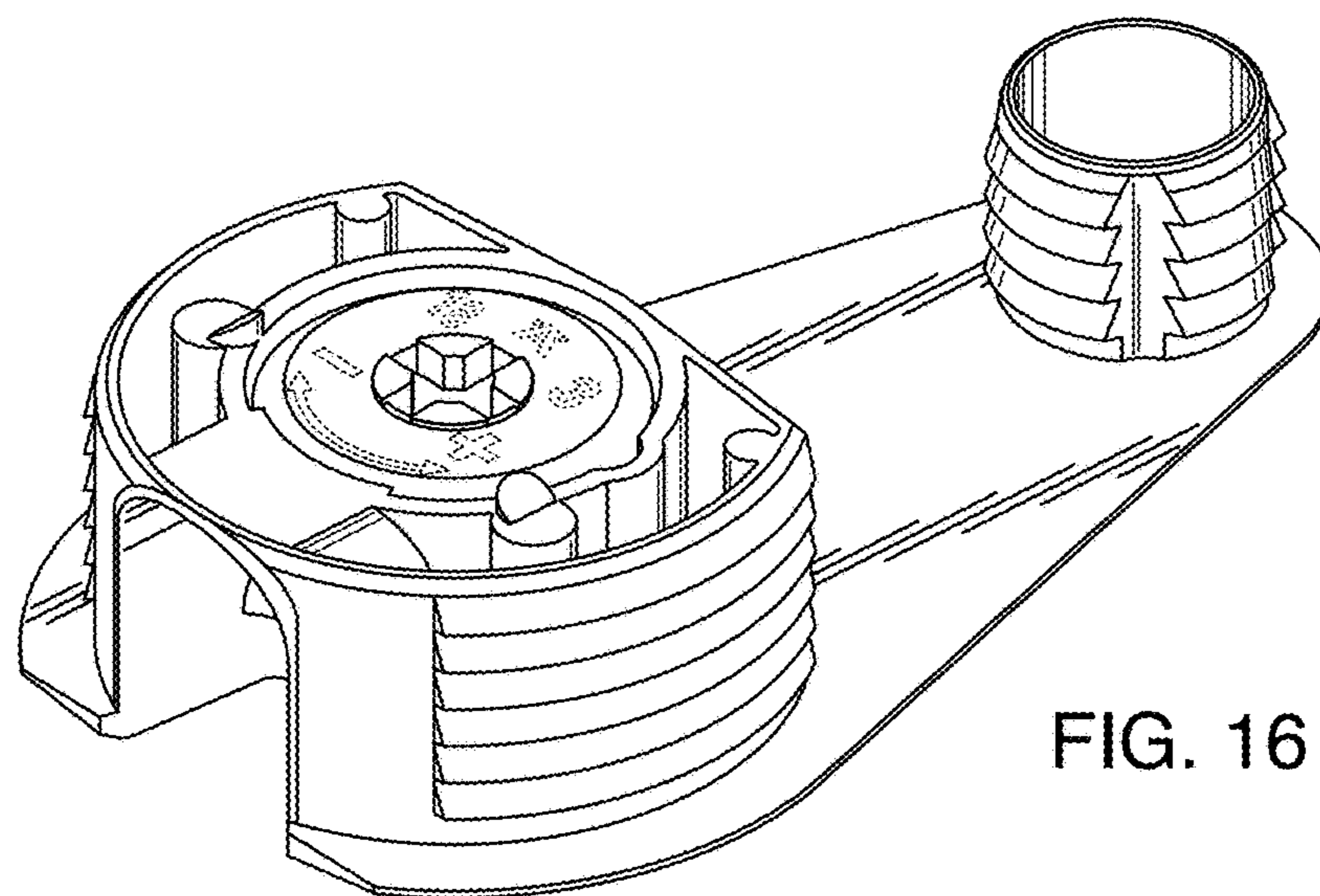


FIG. 16

UNITED STATES PATENT AND TRADEMARK OFFICE
CERTIFICATE OF CORRECTION

PATENT NO. : D834,395 S
APPLICATION NO. : 29/630635
DATED : November 27, 2018
INVENTOR(S) : Gerg Sawatzki

Page 1 of 1

It is certified that error appears in the above-identified patent and that said Letters Patent is hereby corrected as shown below:

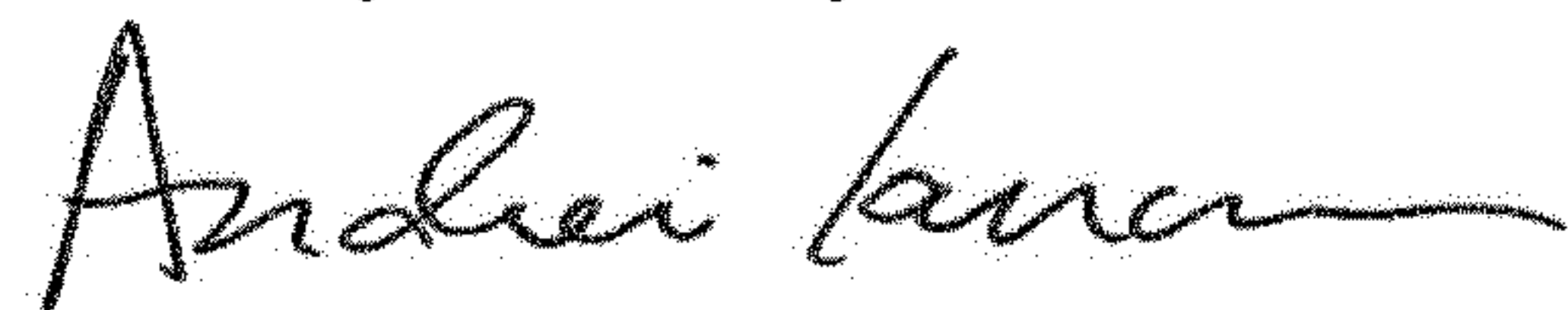
On the Title Page

Accordingly, please add to the priority the following:

Item (30):

--European Union Intellectual Property Office Application 004061323 filed June 22, 2017--

Signed and Sealed this
Twenty-fifth Day of June, 2019



Andrei Iancu
Director of the United States Patent and Trademark Office