



US00D834393S

(12) **United States Design Patent** (10) **Patent No.:** **US D834,393 S**  
**Escobar et al.** (45) **Date of Patent:** **\*\* Nov. 27, 2018**

(54) **HORIZONTAL PADDLE HANDLE ASSEMBLY**

(71) Applicant: **Yale Security Inc.**, New Haven, CT (US)

(72) Inventors: **Liza Alcala Escobar**, Zapopan (MX); **Lee Griswold**, New Haven, CT (US); **David Nava**, Tlajomulco de Zuniga (MX)

(73) Assignee: **YALE SECURITY INC.**, New Haven, CT (US)

(\*\*) Term: **15 Years**

(21) Appl. No.: **29/591,699**

(22) Filed: **Jan. 23, 2017**

(51) **LOC (11) Cl.** ..... **08-06**

(52) **U.S. Cl.**  
USPC ..... **D8/301**

(58) **Field of Classification Search**  
USPC ..... D8/300-302, 307-309, 310, 311, 10; D23/250, 252  
CPC ..... Y10T 16/44; Y10T 74/20612; Y10T 74/20732; Y10T 16/458; Y10T 16/498; Y10T 16/469; Y10T 16/476; Y10T 74/20744; Y10T 74/20864; Y10T 16/4628; Y10T 74/20642; Y10T 16/473; Y10T 74/20762; Y10T 74/2042; Y10T 74/20828; Y10T 16/459; Y10T 16/4713; Y10T 74/2014; Y10T 16/50; Y10T 74/20438; Y10T 74/20582; Y10T 74/20738; Y10T 16/48; Y10T 74/20618; Y10T 74/20684; Y10T 74/20624; Y10T 74/20468; Y10T 16/61; Y10T 16/4719; Y10T 16/86; Y10S 16/30; Y10S 292/31; Y10S 292/53; Y10S 16/12; Y10S 292/23; Y10S 292/27; Y10S 292/30; Y10S 292/63; E05B 85/16; E05B 1/0015; E05B 77/06; E05B 79/06; E05B 85/18; E05B

85/12; E05B 85/10; E05B 7/00; E05B 1/0053; E05B 77/265

See application file for complete search history.

(56) **References Cited**

U.S. PATENT DOCUMENTS

2,267,939 A \* 12/1941 McKenzie ..... E05B 1/003  
292/348  
2,729,485 A \* 1/1956 Schlage ..... E05B 3/065  
267/150  
D312,565 S \* 12/1990 Abraham ..... D8/301  
6,141,998 A \* 11/2000 Seo ..... E05B 1/0092  
292/336.3  
D666,698 S \* 9/2012 Liao ..... D23/252  
8,449,003 B2 \* 5/2013 Bunker, II ..... E05B 3/10  
292/1  
D691,449 S \* 10/2013 Weathersby ..... D8/301  
D691,450 S \* 10/2013 Weathersby ..... D8/301  
9,212,507 B2 \* 12/2015 Ou ..... E05B 63/006

(Continued)

*Primary Examiner* — Lauren R Calve

(74) *Attorney, Agent, or Firm* — DeLio, Peterson & Curcio, LLC; Thomas E. Ciesco

(57) **CLAIM**

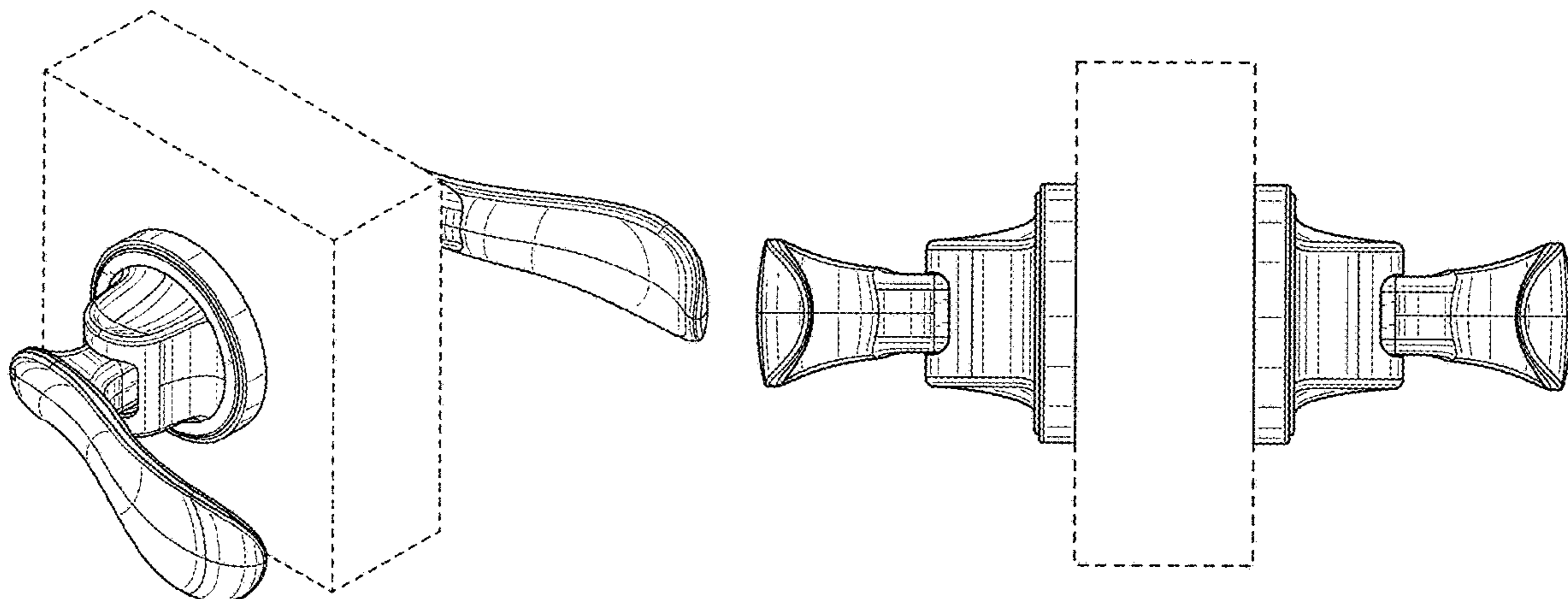
The ornamental design for a “horizontal paddle handle assembly,” as shown and described.

**DESCRIPTION**

FIG. 1 is a right front top perspective view of a horizontal paddle handle assembly according to our design; FIG. 2 is a front elevational view thereof; FIG. 3 is a rear elevational view thereof; FIG. 4 is a left side elevational view thereof; FIG. 5 is a right side elevational view thereof; FIG. 6 is a bottom plan view thereof; and, FIG. 7 is a top plan view thereof.

The broken lines shown represent unclaimed subject matter and form no part of the claimed design.

**1 Claim, 7 Drawing Sheets**



(56)

**References Cited**

U.S. PATENT DOCUMENTS

9,447,610 B2 \* 9/2016 Ou ..... E05B 63/006  
D797,250 S \* 9/2017 Zhang ..... D23/252

\* cited by examiner

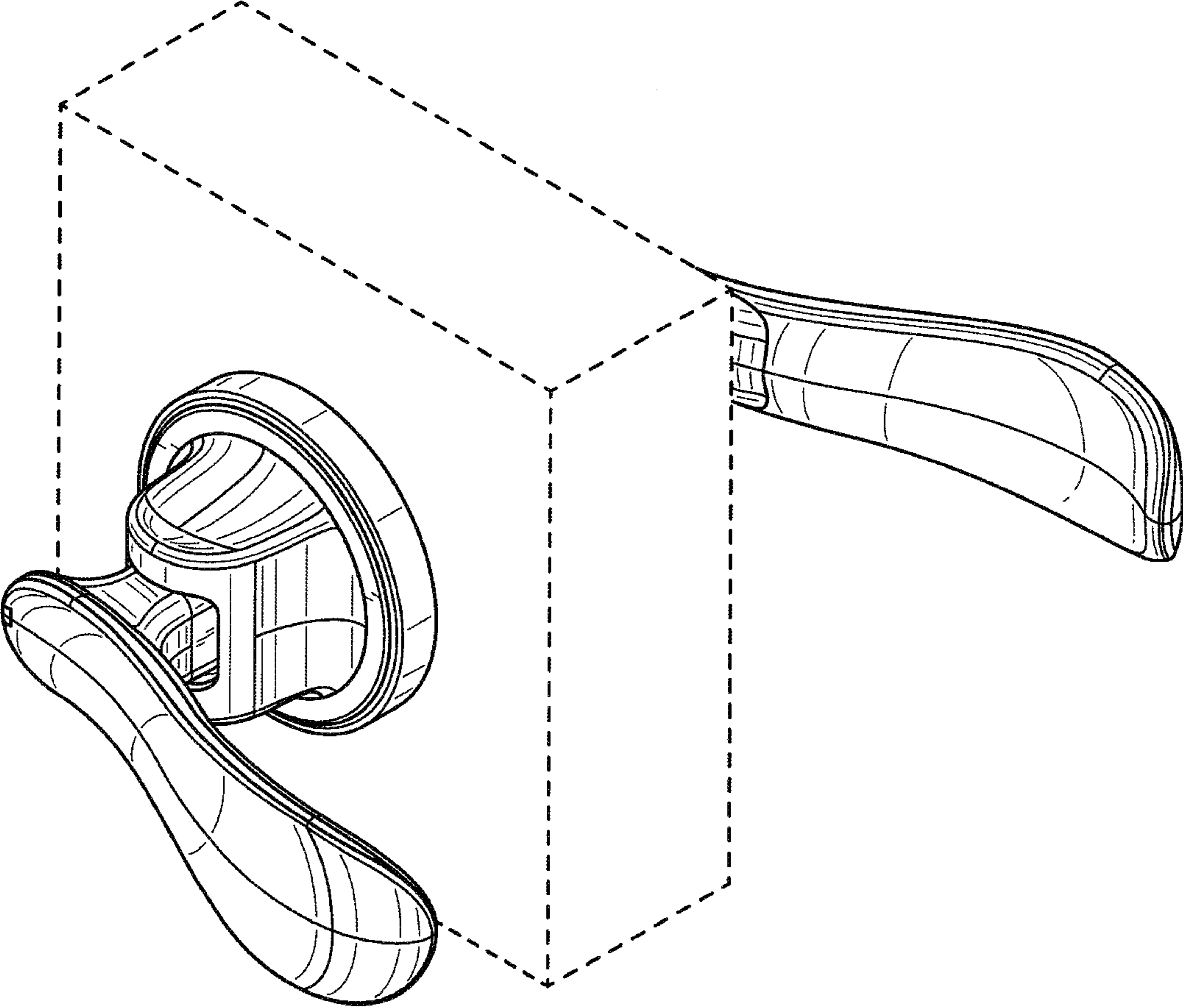


FIG. 1

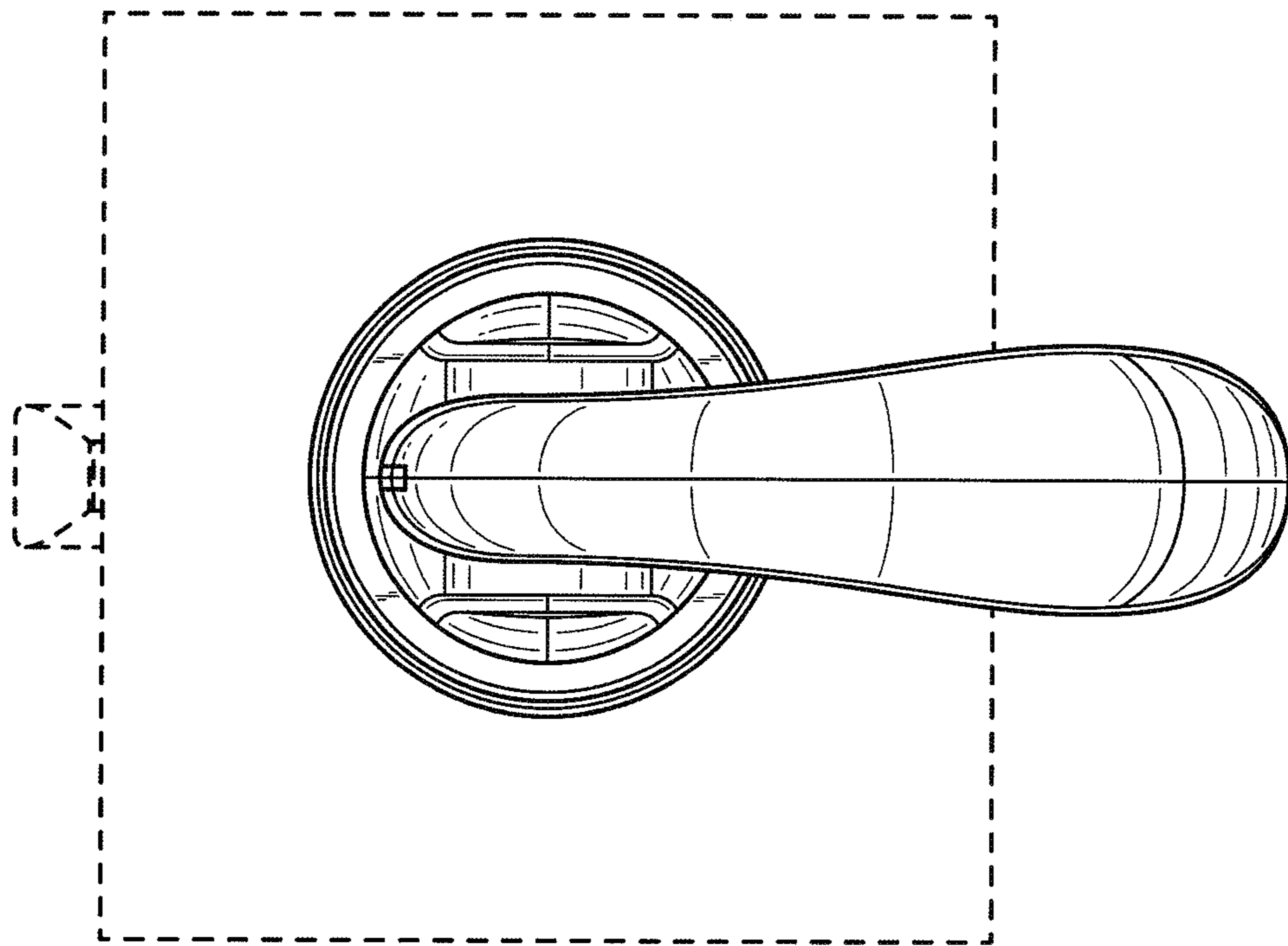


FIG. 2

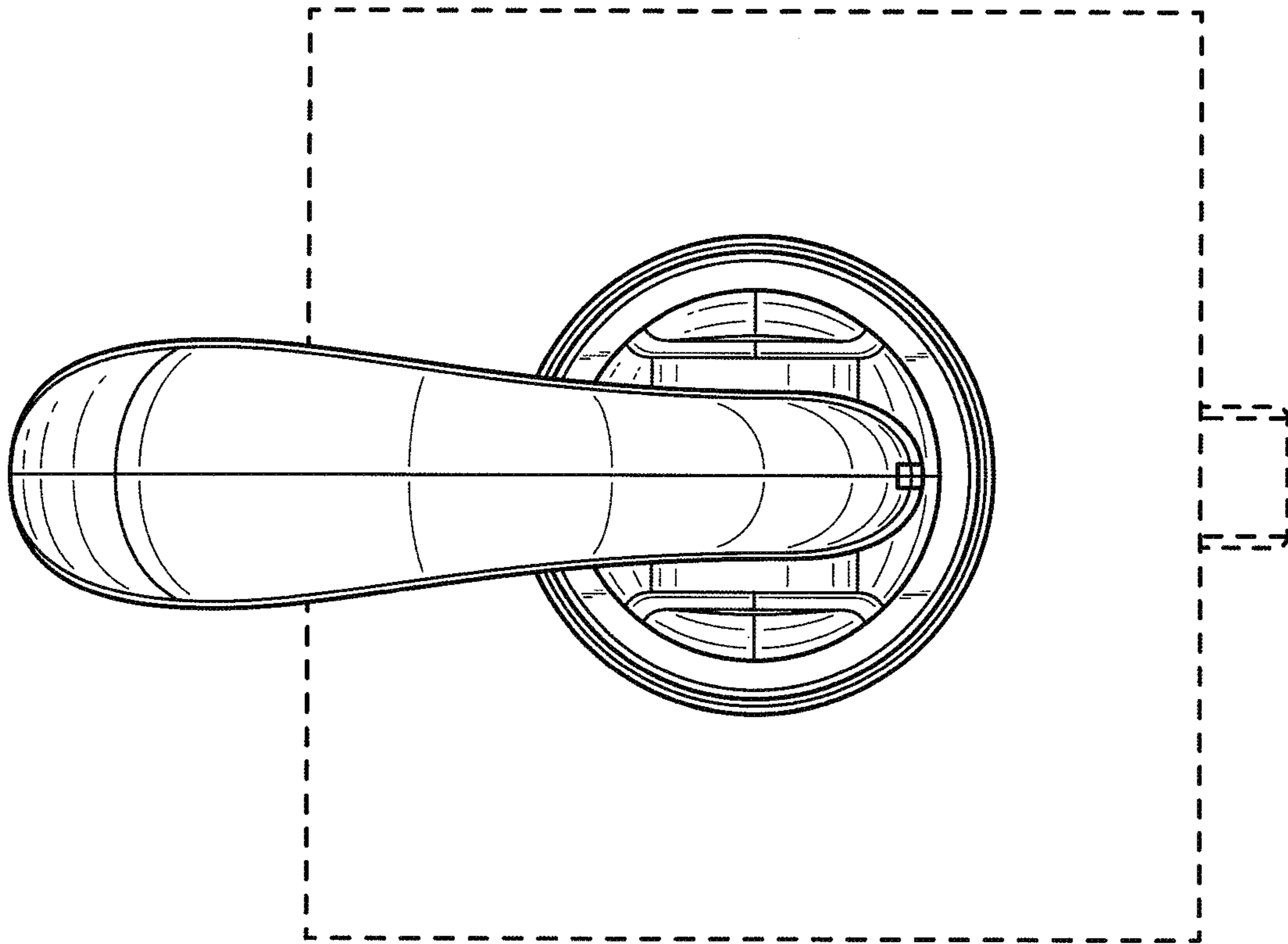


FIG. 3

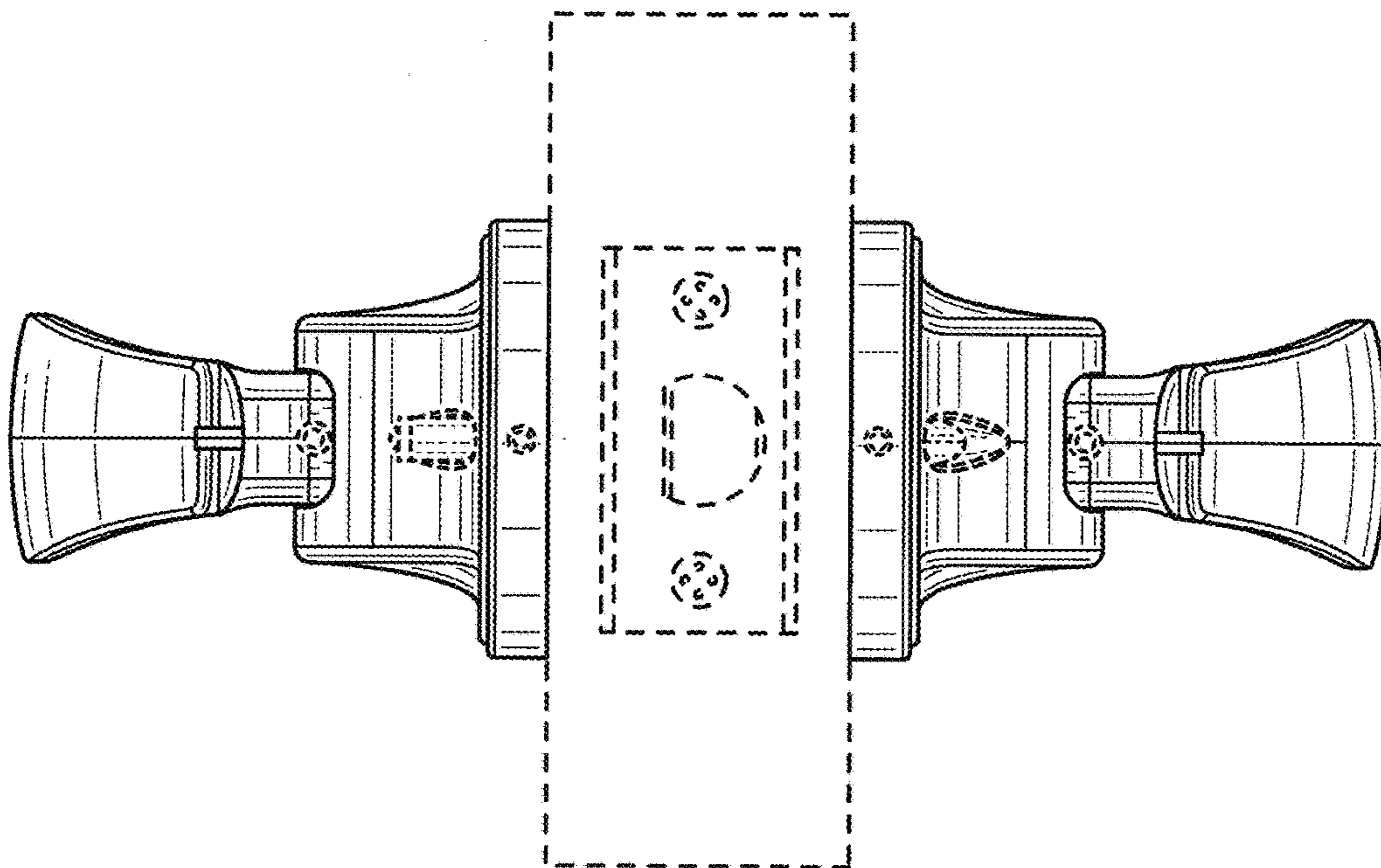


FIG. 4

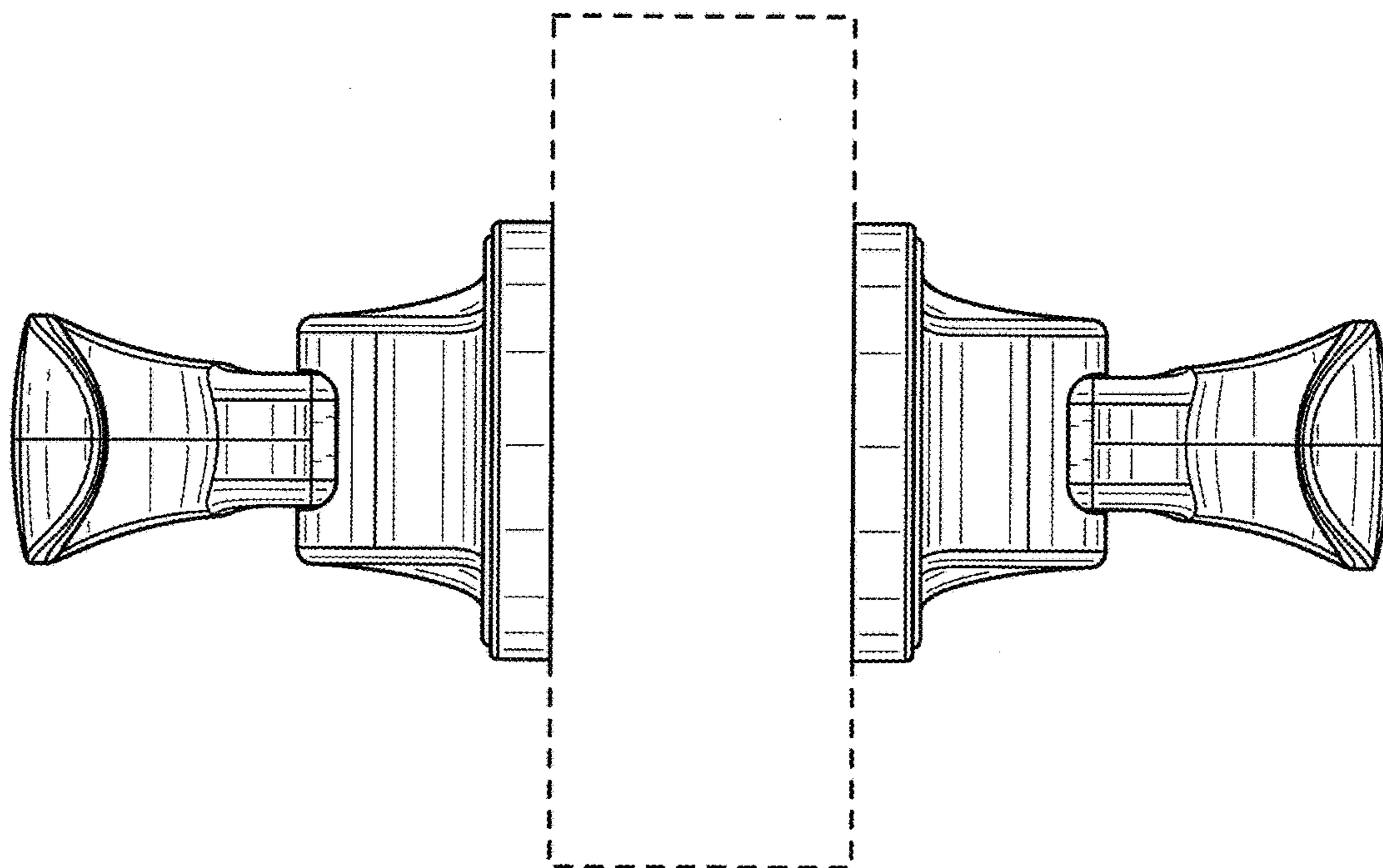


FIG. 5

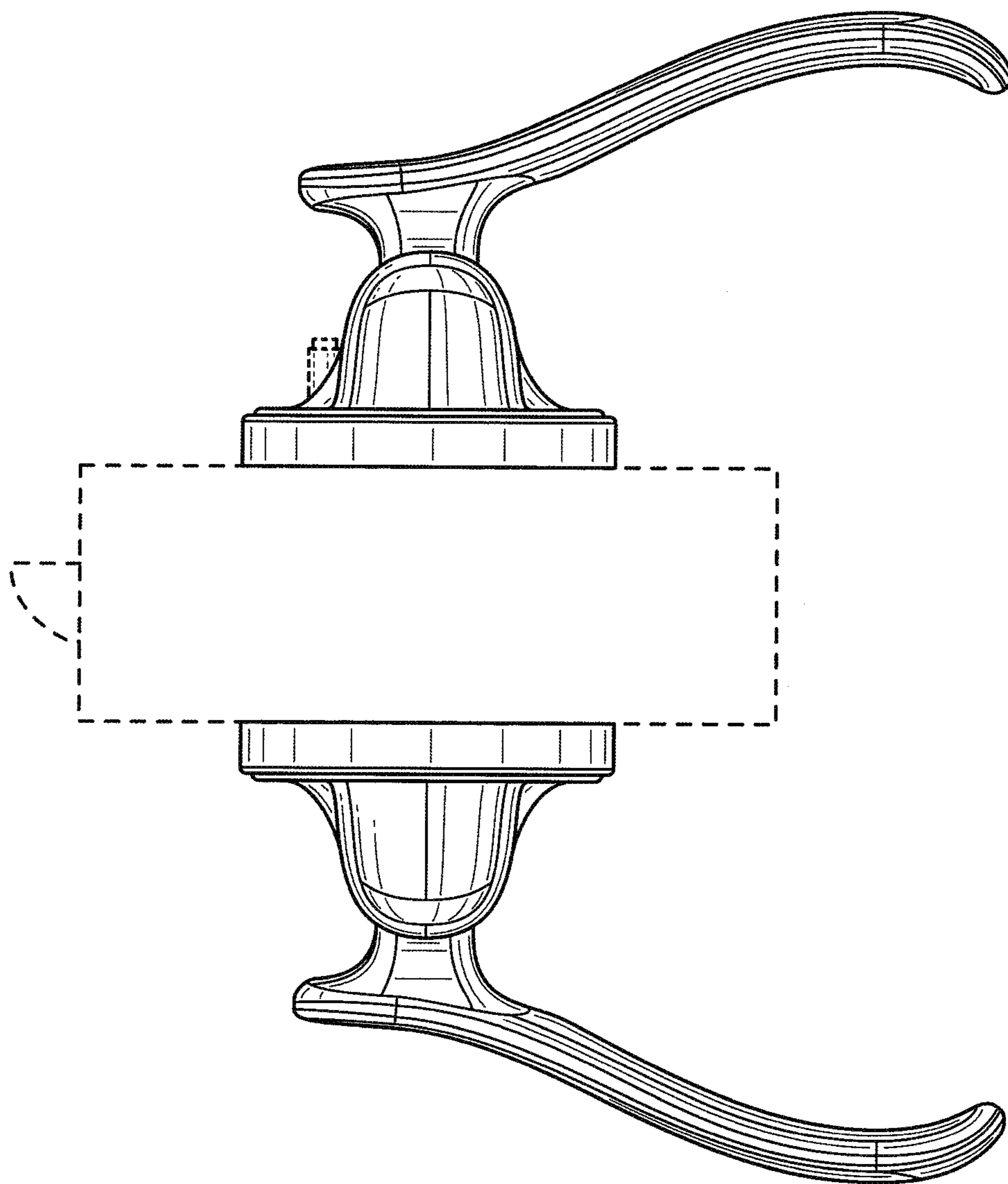


FIG. 6



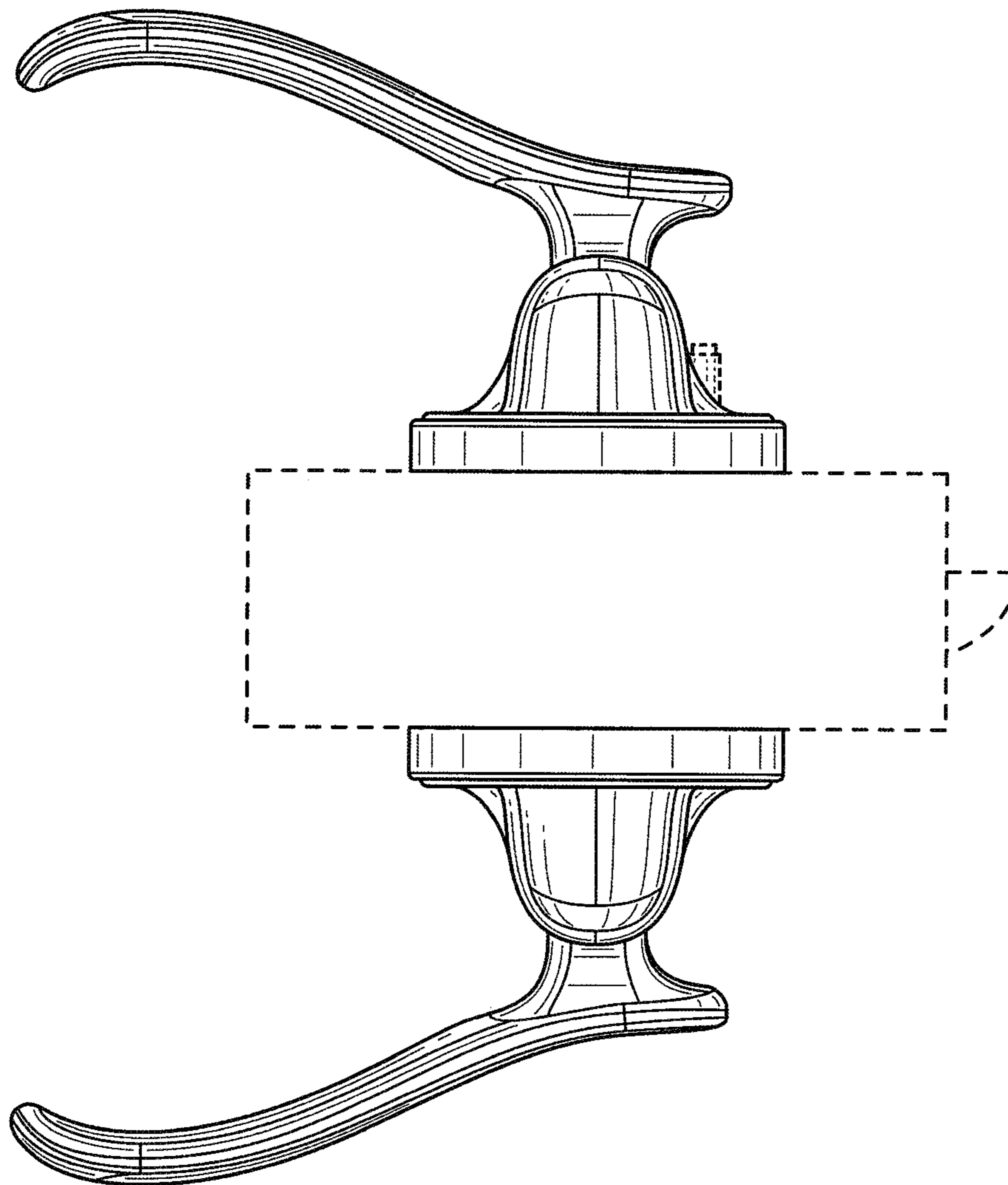


FIG. 7