



US00D834392S

(12) **United States Design Patent** (10) **Patent No.:** **US D834,392 S**
Wei (45) **Date of Patent:** **** Nov. 27, 2018**

- (54) **UTILITY KNIFE**
- (71) Applicant: **APEX BRANDS, INC.**, Apex, NC (US)
- (72) Inventor: **Zixuan Wei**, Shanghai (CN)
- (73) Assignee: **APEX BRANDS, INC.**, Apex, NC (US)
- (**) Term: **15 Years**
- (21) Appl. No.: **29/601,830**
- (22) Filed: **Apr. 26, 2017**
- (51) **LOC (11) Cl.** **08-03**
- (52) **U.S. Cl.**
USPC **D8/99**
- (58) **Field of Classification Search**
None
See application file for complete search history.

| | | | |
|--------------|---------|------------------|-------|
| D636,051 S | 4/2011 | Freeman et al. | |
| D645,720 S * | 9/2011 | Wu | D8/99 |
| D692,289 S | 10/2013 | Cheng | |
| D699,092 S * | 2/2014 | Wagner | D8/99 |
| D699,540 S * | 2/2014 | Wagner | D8/99 |
| D699,541 S * | 2/2014 | Wagner | D8/99 |
| D708,499 S * | 7/2014 | Garavaglia | D8/99 |
| 8,939,054 B2 | 1/2015 | Hawk et al. | |
| D741,680 S | 10/2015 | Hunter et al. | |
| D742,198 S * | 11/2015 | Kugimiya | D8/99 |
| D752,410 S * | 3/2016 | Kugimiya | D8/99 |
| D768,454 S | 10/2016 | Xin | |
| D768,455 S | 10/2016 | Xin | |
| D768,457 S | 10/2016 | Yuhuan | |
| D776,508 S | 1/2017 | Yuhuan | |

* cited by examiner

Primary Examiner — Philip S Hyder
(74) *Attorney, Agent, or Firm* — McNair Law Firm, P.A.

(57) **CLAIM**

The ornamental design for a utility knife, as shown and described.

(56) **References Cited**

U.S. PATENT DOCUMENTS

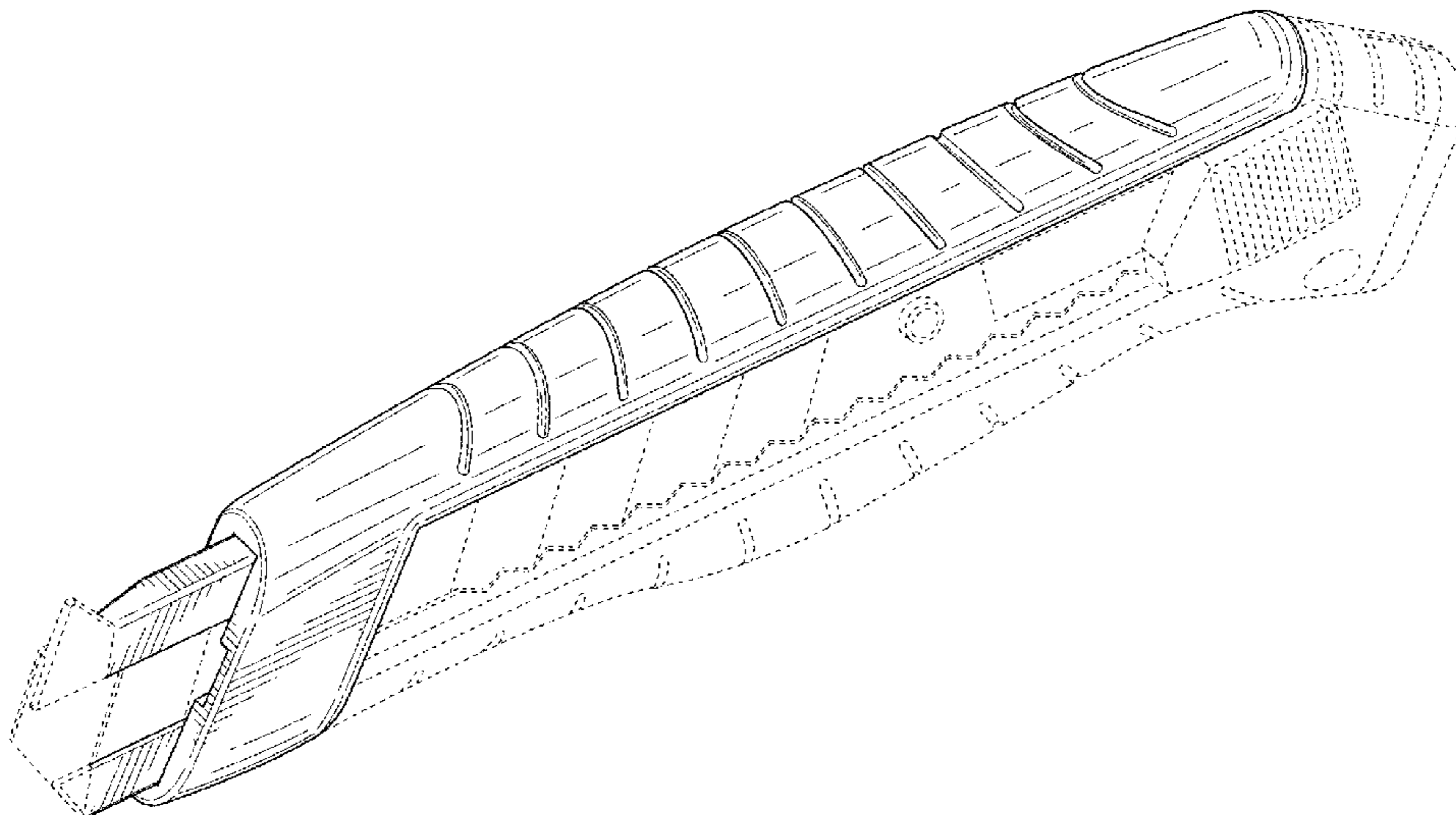
| | | | |
|--------------|--------|-----------------|-------|
| 5,495,673 A | 3/1996 | Gardiner et al. | |
| D412,822 S * | 8/1999 | Gilbert | D8/99 |
| D435,776 S | 1/2001 | Veltz et al. | |
| D442,054 S * | 5/2001 | Okada | D8/98 |
| D453,896 S * | 2/2002 | Hirai | D8/99 |
| D473,917 S | 4/2003 | Carter, III | |
| D517,894 S * | 3/2006 | Kondo | D8/99 |
| 7,051,443 B2 | 5/2006 | Mueller | |
| D523,316 S * | 6/2006 | Kondo | D8/99 |
| D559,651 S * | 1/2008 | Takamasa | D8/99 |
| D560,462 S * | 1/2008 | Takamasa | D8/98 |
| D564,326 S | 3/2008 | Tsuda et al. | |
| D565,919 S * | 4/2008 | Kondo | D8/99 |
| 7,526,865 B2 | 5/2009 | Mueller | |
| D599,641 S | 9/2009 | Yang-Fu | |
| D600,090 S | 9/2009 | Yang-Fu | |

DESCRIPTION

FIG. 1 is left side perspective view of a utility knife in accordance with an embodiment of the present invention; FIG. 2 is a left side view of the utility knife of FIG. 1; FIG. 3 is a right side view of the utility knife of FIG. 1; FIG. 4 is a top view of the utility knife of FIG. 1; FIG. 5 is a bottom view of the utility knife of FIG. 1; FIG. 6 is a front view of the utility knife of FIG. 1; FIG. 7 is a rear view of the utility knife of FIG. 1; and, FIG. 8 is a perspective view of the utility knife of FIG. 1 with blade extended.

The broken lines depict portions of the utility knife in which the design is embodied that are not considered part of the claimed design.

1 Claim, 7 Drawing Sheets



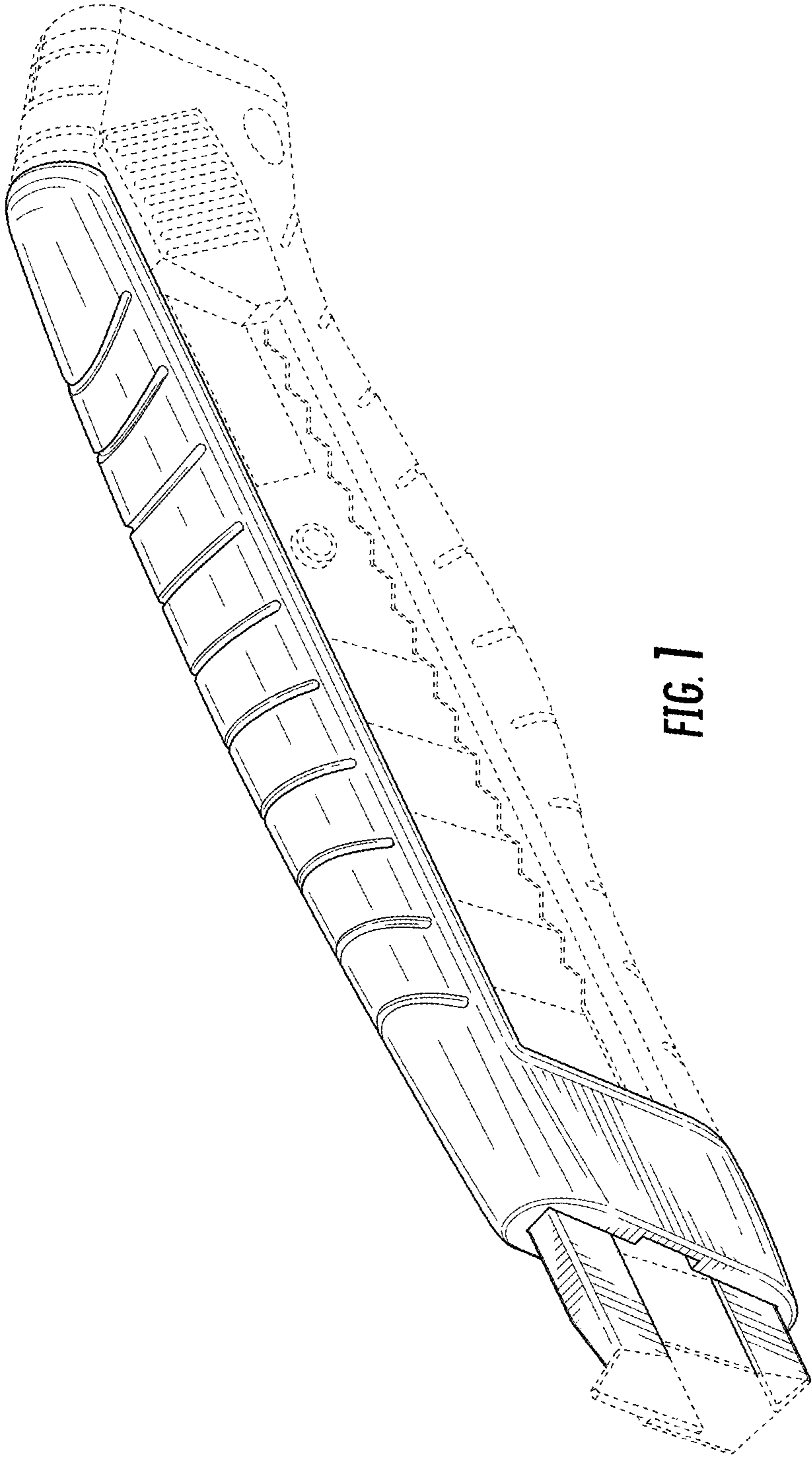


FIG. 1

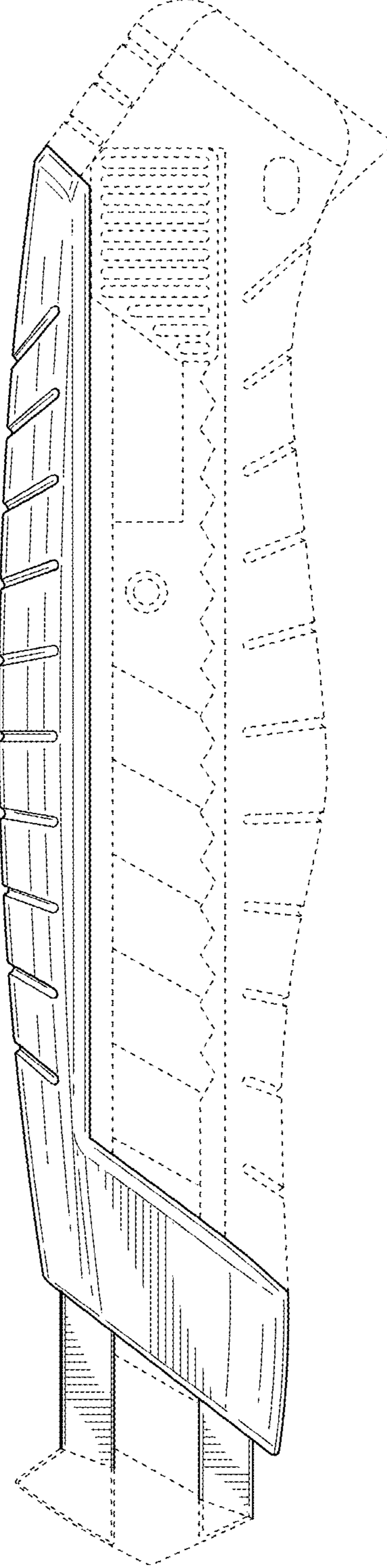


FIG. 2

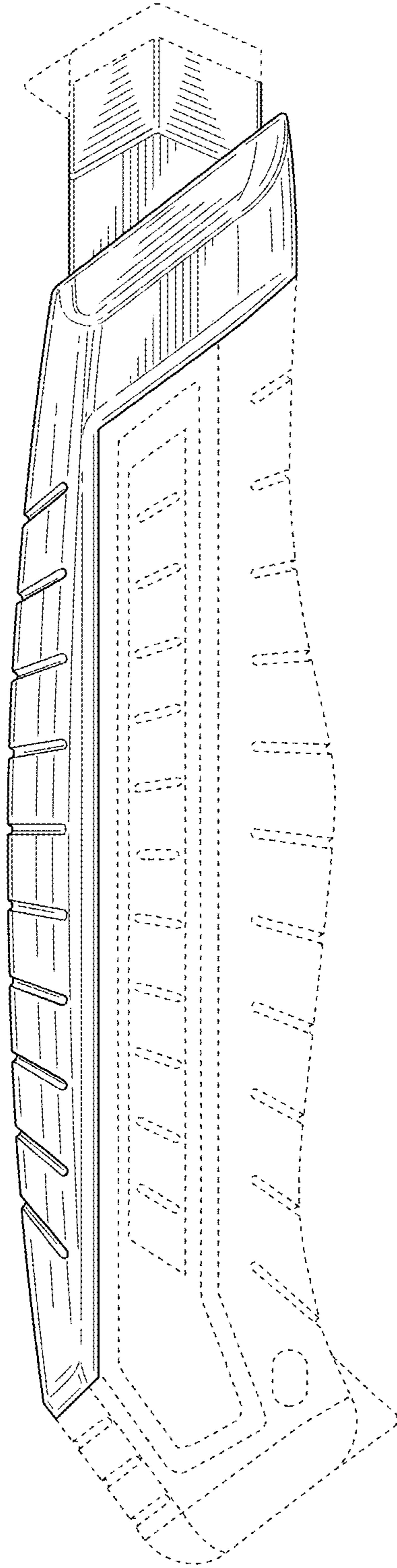


FIG. 3

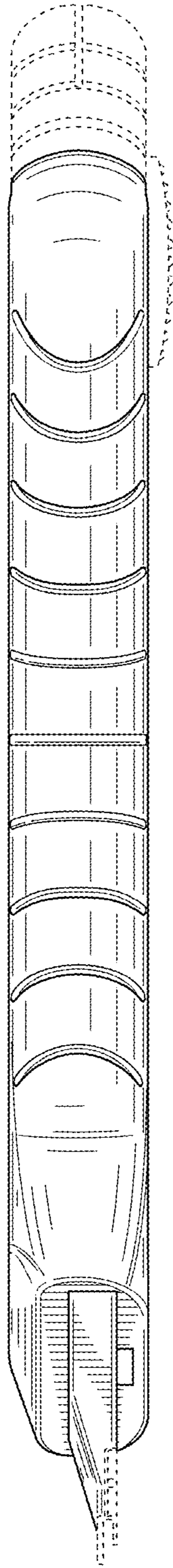


FIG. 4

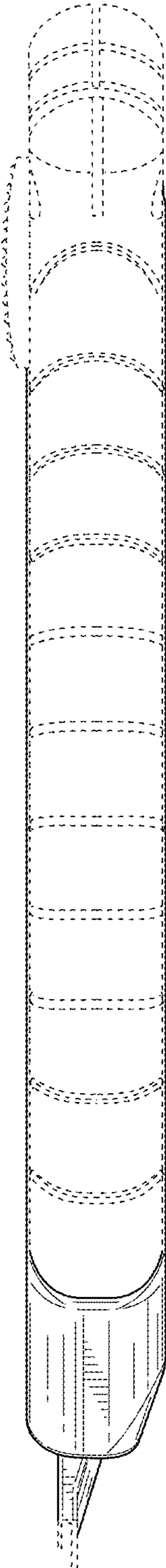


FIG. 5

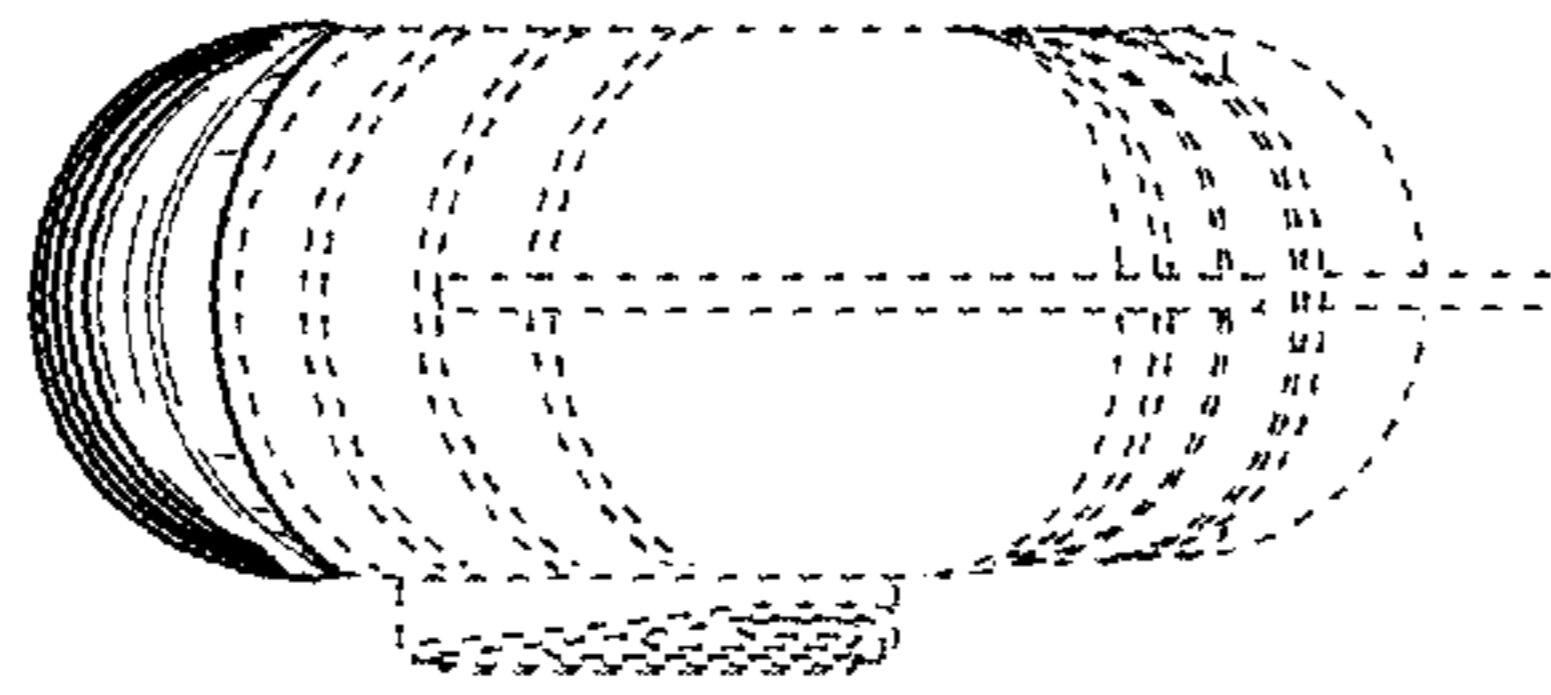


FIG. 7

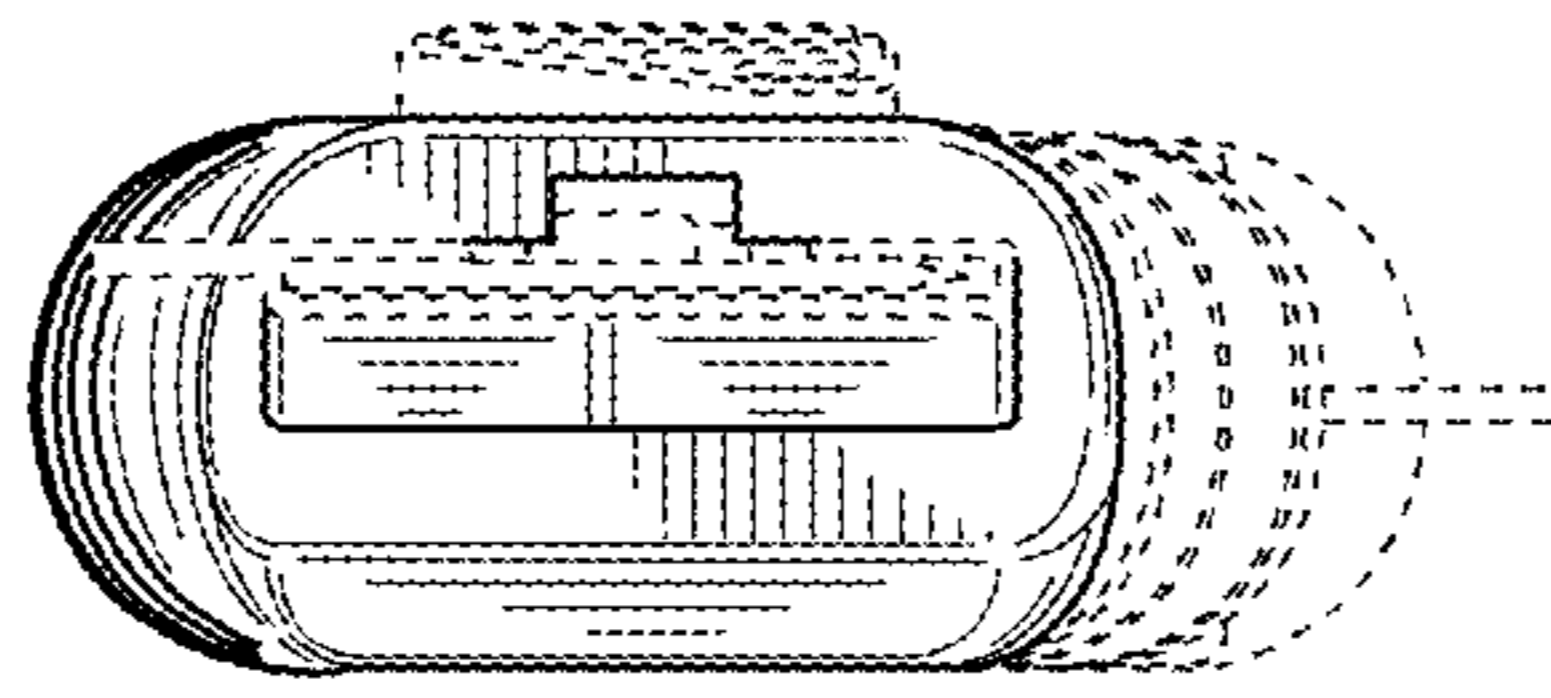


FIG. 6

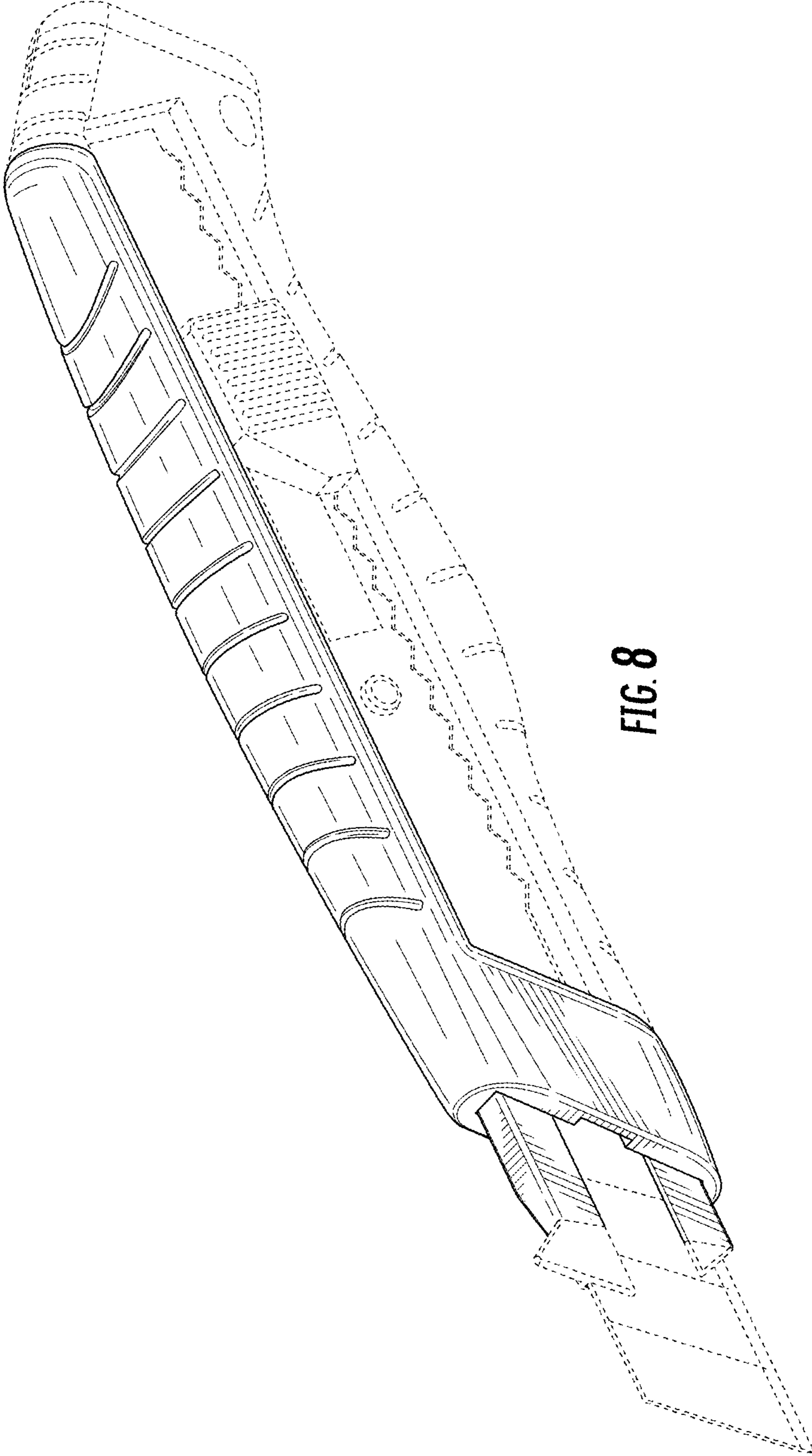


FIG. 8