



US00D834391S

(12) **United States Design Patent** (10) **Patent No.:** **US D834,391 S**
Dockery et al. (45) **Date of Patent:** **** Nov. 27, 2018**

- (54) **DRILL HOLDER**
- (71) Applicant: **Doc's Industries Incorporated**, Simi Valley, CA (US)
- (72) Inventors: **Forrest Dockery**, Simi Valley, CA (US); **Chad Dockery**, Moorpark, CA (US); **Ricardo Ochoa**, Simi Valley, CA (US)
- (73) Assignee: **Doc's Industries Incorporated**, Simi Valley, CA (US)
- (**) Term: **15 Years**
- (21) Appl. No.: **29/623,323**
- (22) Filed: **Oct. 24, 2017**
- (51) **LOC (11) Cl.** **08-05**
- (52) **U.S. Cl.**
USPC **D8/71**
- (58) **Field of Classification Search**
USPC D8/71; D15/132, 138, 140, 141; 408/14, 408/35, 87, 90, 135, 141, 202, 234, 235, 408/236, 112, 113
CPC B23B 39/00; B23B 45/00; B23B 45/003
See application file for complete search history.

(56) **References Cited**

U.S. PATENT DOCUMENTS

2,670,638	A *	3/1954	Roy, Sr.	B25H 1/0078
					33/373
3,907,452	A *	9/1975	Tripp	B23B 47/281
					408/111
D246,947	S *	1/1978	Glover	D8/71
D248,727	S *	8/1978	Sperber	D15/140
D252,995	S *	9/1979	Tiedemann, Jr.	D10/64
D255,578	S *	6/1980	Herczeg	82/166
D305,607	S *	1/1990	Andrews	D8/61
D361,774	S *	8/1995	Barry	D15/133
D531,477	S *	11/2006	Aglassinger	D8/70
7,534,078	B1 *	5/2009	Mischler	B23Q 1/015
					408/234

D593,389	S *	6/2009	Clayton	D8/70
7,708,505	B2 *	5/2010	Opsitos, Jr.	B23B 45/02
					408/1 R
D689,105	S *	9/2013	Dockery	D15/132
2004/0057805	A1 *	3/2004	Azema	B23Q 11/085
					408/234
2004/0090126	A1 *	5/2004	Hsu	B23Q 1/012
					310/12.13

(Continued)

Primary Examiner — Lakiya G Rogers
Assistant Examiner — Harold E Blackwell, II
(74) *Attorney, Agent, or Firm* — Dinsmore & Shohl LLP

(57) **CLAIM**

The ornamental design for a drill holder, as shown and described.

DESCRIPTION

FIG. 1 is a perspective view including a front, top and one side of the drill holder having the accessory components shown in broken lines;

FIG. 2 is a perspective view including a rear, top and one side of the drill holder having the accessory components removed.

FIG. 3 is a planar view of the top of the drill holder of FIG. 2;

FIG. 4 is a planar view of the bottom of the drill holder of FIG. 2;

FIG. 5 is a planar view of the one side of the drill holder of FIG. 2;

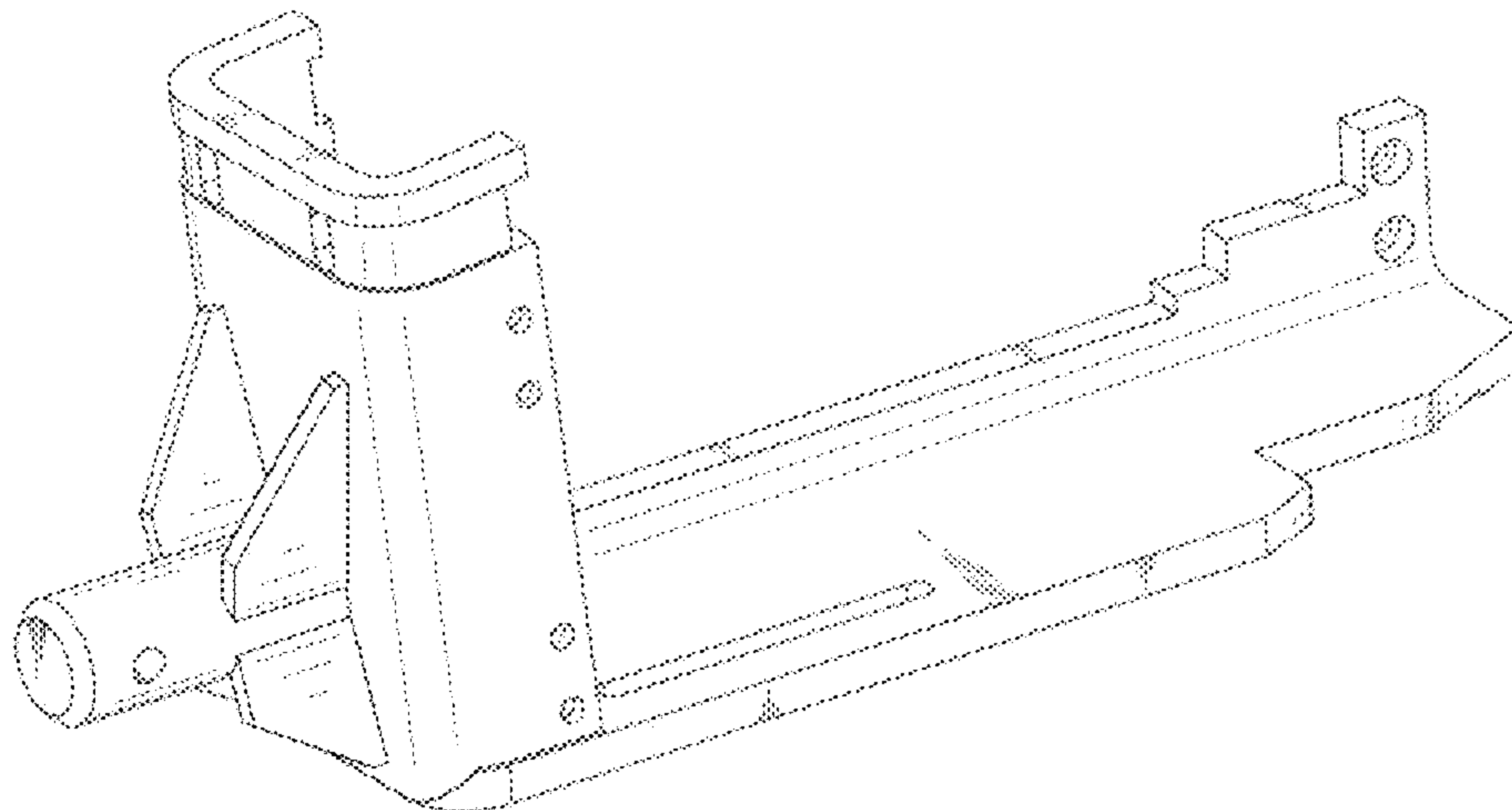
FIG. 6 is a planar view of the other side of the drill holder of FIG. 2;

FIG. 7 is a planar view of the rear of the drill holder of FIG. 2; and,

FIG. 8 is a planar view of the front of the drill holder of FIG. 2.

The broken lines show accessory components of the drill holder and form no part of the claimed design.

1 Claim, 5 Drawing Sheets



(56)

References Cited

U.S. PATENT DOCUMENTS

2006/0082041 A1* 4/2006 Huffman B25B 1/2405
269/265
2008/0056833 A1* 3/2008 Lay B23B 45/02
408/76

* cited by examiner

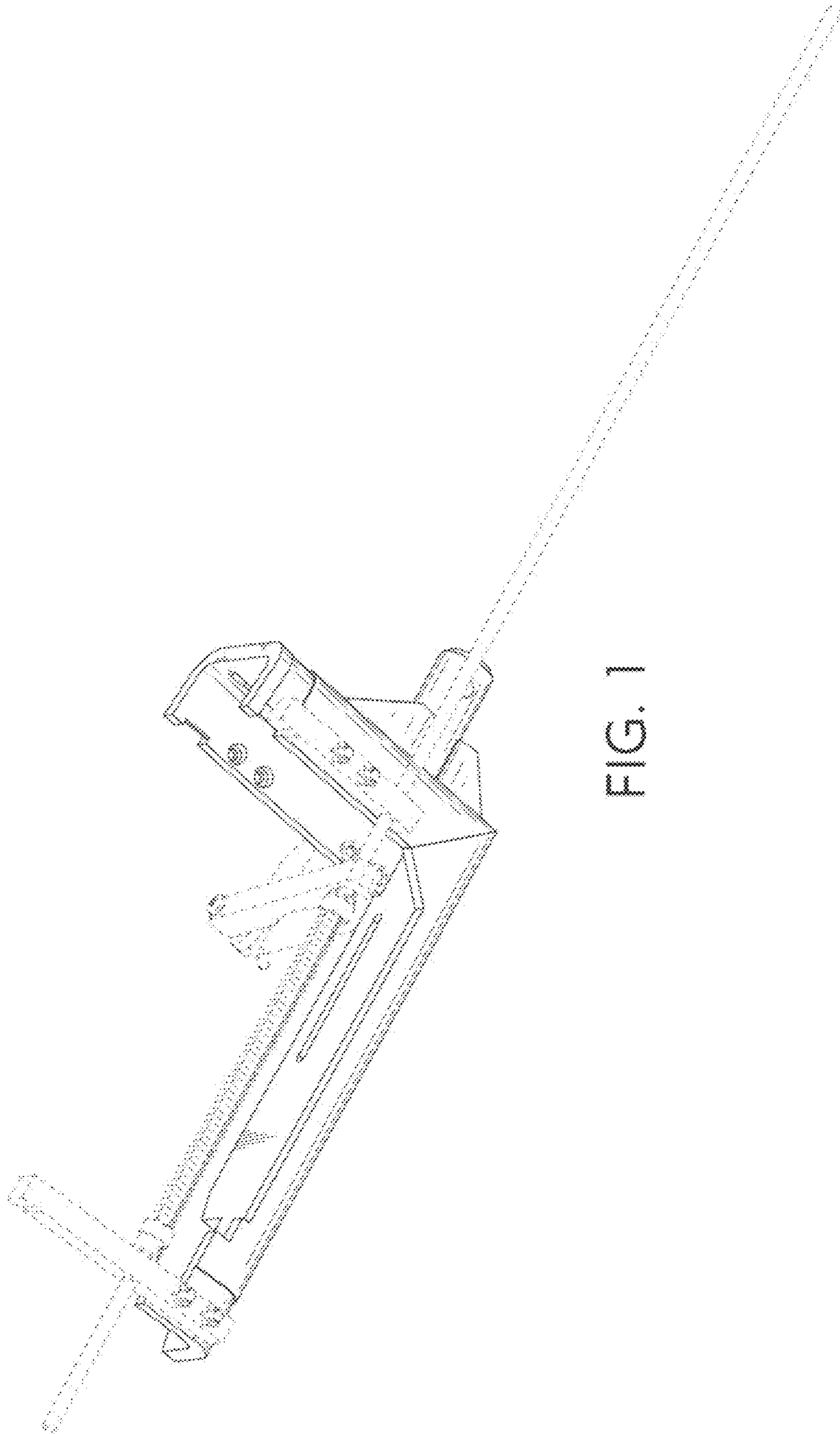


FIG. 1

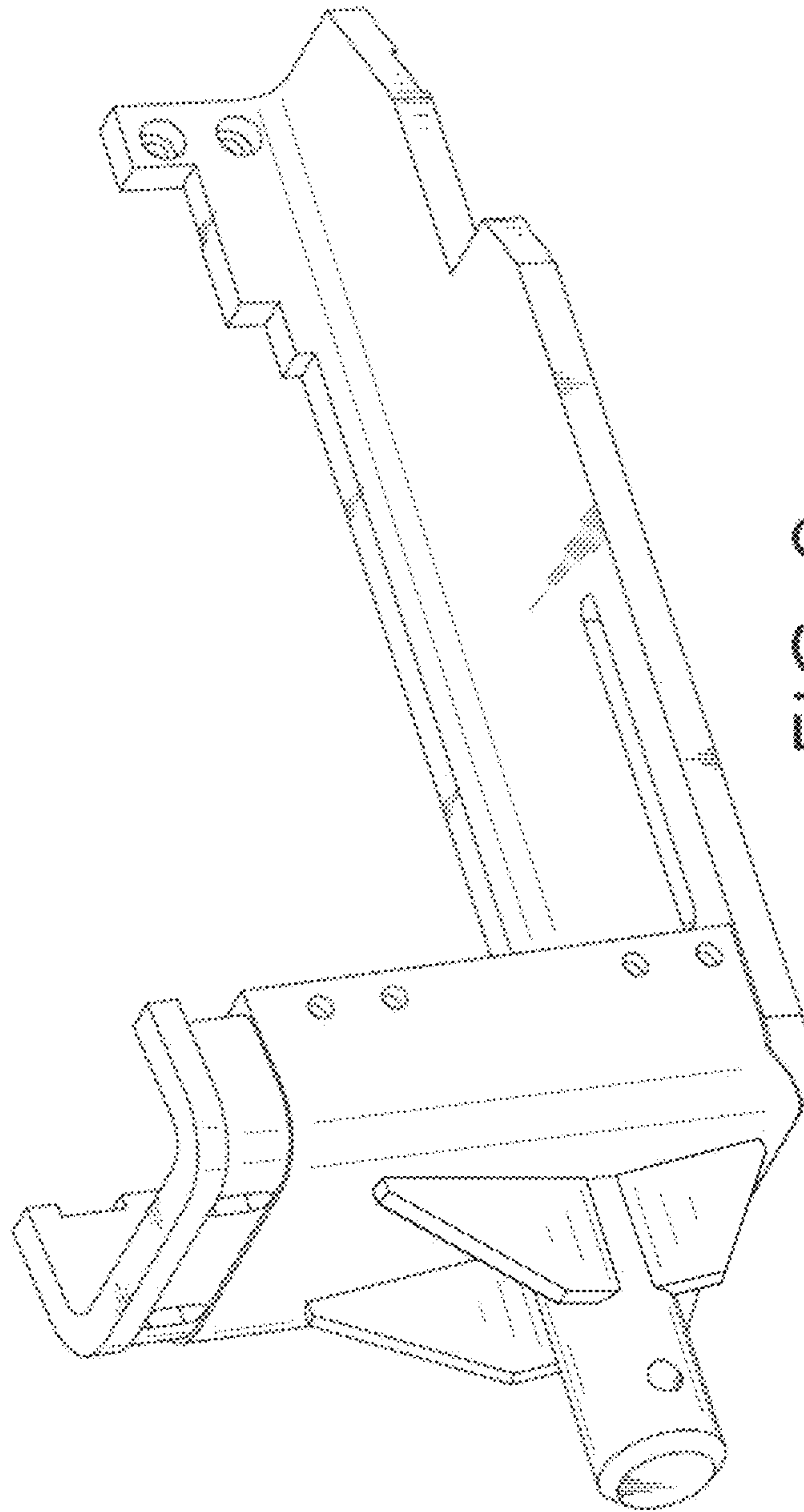


FIG. 2

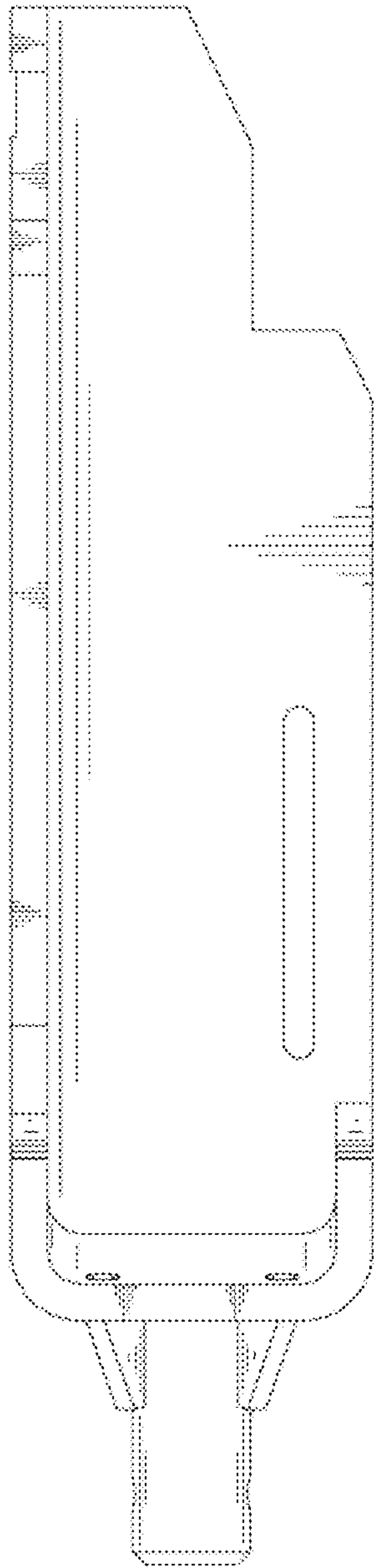


FIG. 3

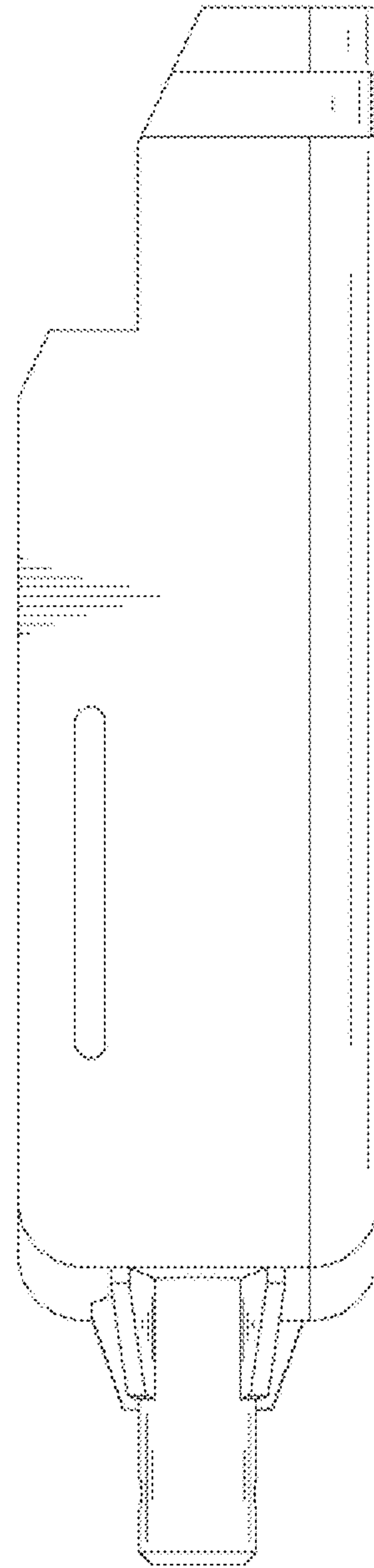


FIG. 4

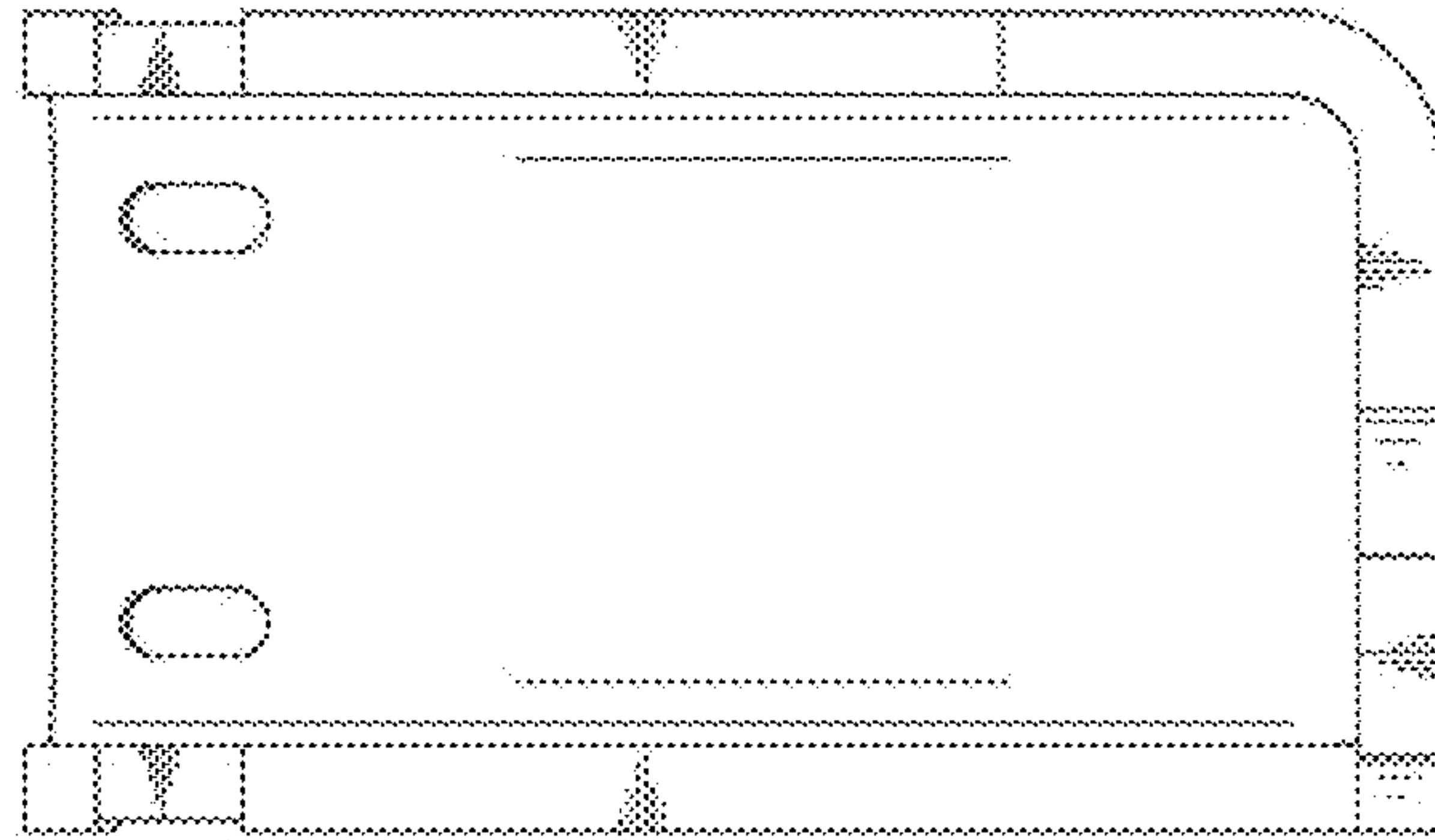


FIG. 6

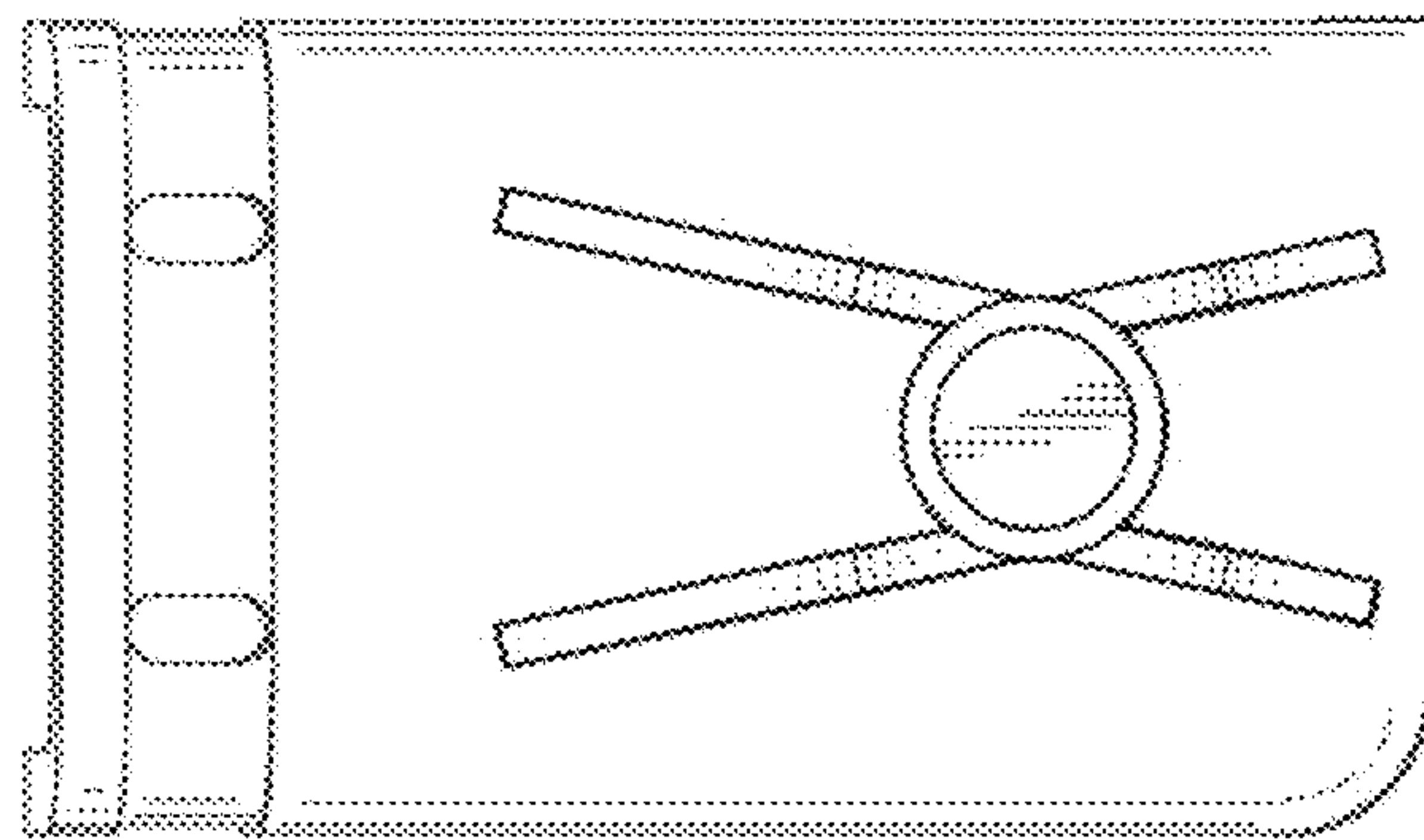


FIG. 5

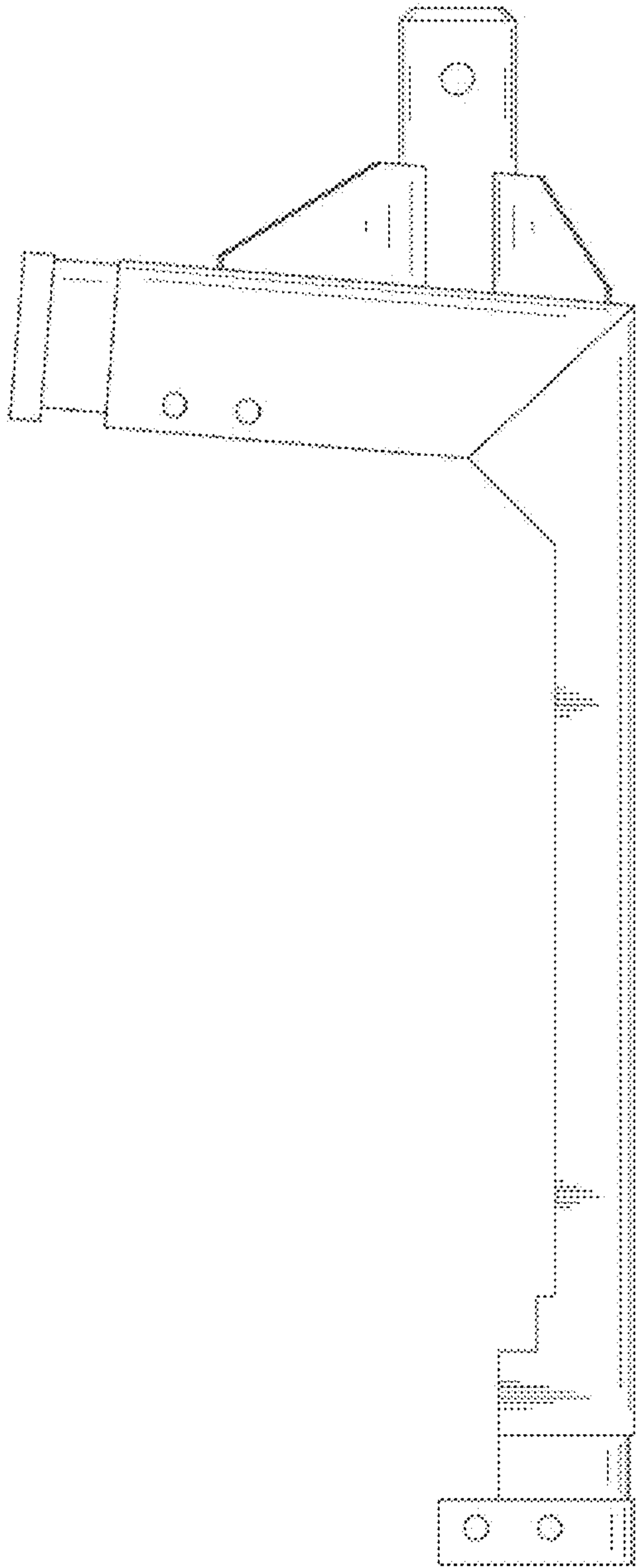


FIG. 7

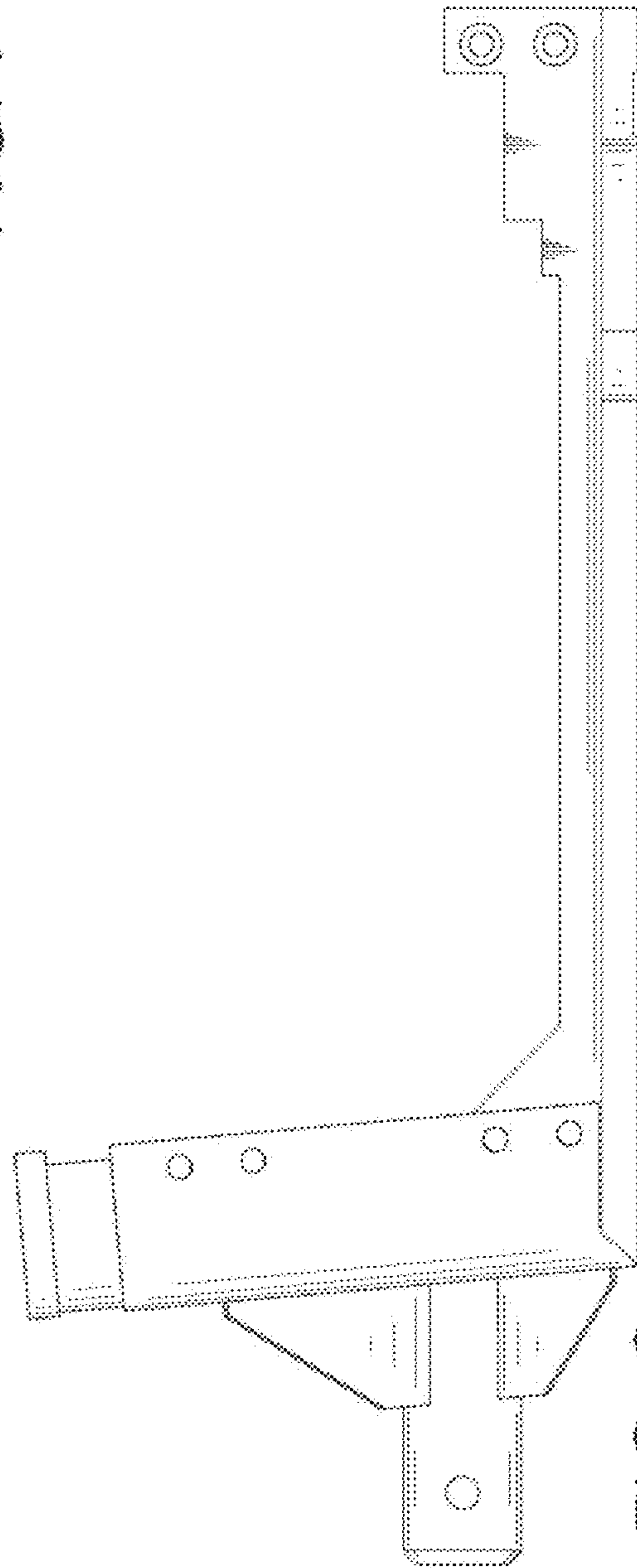


FIG. 8