



US00D834390S

(12) **United States Design Patent** (10) **Patent No.:** **US D834,390 S**  
**Iron** (45) **Date of Patent:** **\*\* Nov. 27, 2018**

(54) **RAFTER INSTALLATION TOOL**  
(71) Applicant: **Brian Iron**, Pinehouse (CA)  
(72) Inventor: **Brian Iron**, Pinehouse (CA)  
(\*\*) Term: **15 Years**  
(21) Appl. No.: **29/606,577**  
(22) Filed: **Jun. 6, 2017**  
(51) **LOC (11) Cl.** ..... **08-05**  
(52) **U.S. Cl.**  
USPC ..... **D8/71; D10/64**  
(58) **Field of Classification Search**  
USPC ..... D8/14, 71, 45, 349, 354; D10/64, 65  
CPC ... E04D 15/00; E04D 15/025; E04G 21/1883;  
E04G 21/1891; B43L 7/08; B43L 7/12  
See application file for complete search history.

6,993,882 B2 2/2006 Crawford et al.  
D587,099 S \* 2/2009 Brizendine ..... D8/354  
7,546,691 B2 \* 6/2009 Mackey ..... G01B 3/20  
269/166  
7,571,551 B1 \* 8/2009 Anderson ..... E04G 21/16  
33/613  
7,617,612 B2 \* 11/2009 Brizendine ..... E04D 15/00  
33/613  
D730,759 S \* 6/2015 Federspiel ..... D10/64  
2004/0237450 A1 12/2004 Barborka  
2006/0260219 A1 11/2006 Riddle et al.  
2007/0044419 A1 3/2007 Koetter  
2007/0056241 A1 3/2007 Stalling  
2009/0100694 A1 4/2009 Hooks  
2011/0214389 A1 9/2011 Paton

\* cited by examiner

*Primary Examiner* — Philip S Hyder  
(74) *Attorney, Agent, or Firm* — Cramer Patent & Design, PLLC; Aaron R. Cramer

(56) **References Cited**

U.S. PATENT DOCUMENTS

2,567,586 A \* 9/1951 Werder ..... E04G 21/1891  
269/40  
3,201,874 A \* 8/1965 Christy ..... E04C 3/02  
269/43  
4,958,814 A \* 9/1990 Johnson ..... E04G 21/1891  
248/216.1  
D318,785 S \* 8/1991 Dean ..... 52/696  
D347,587 S \* 6/1994 Michael, Jr. .... D10/65  
5,490,334 A 2/1996 Payne  
5,509,207 A \* 4/1996 Harms ..... B43L 7/08  
33/41.4  
5,628,119 A \* 5/1997 Bingham ..... E04G 21/1891  
269/904  
6,895,684 B1 \* 5/2005 Firth ..... E04G 21/1891  
33/562

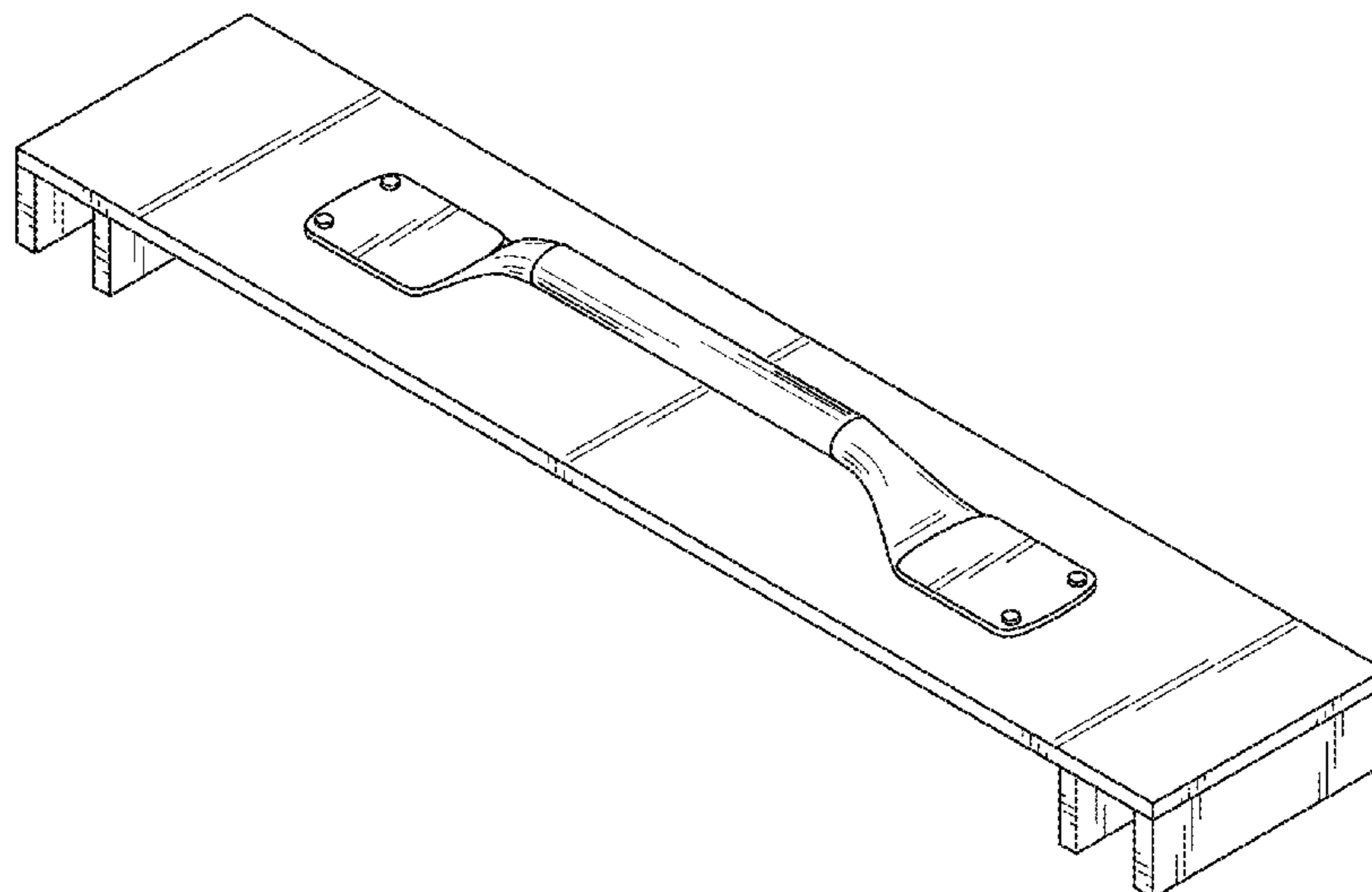
(57) **CLAIM**

The ornamental design for a rafter installation tool, as shown and described.

**DESCRIPTION**

FIG. 1 is a perspective top front right view of a rafter installation tool, showing my new design;  
FIG. 2 is a front elevation view thereof, with the rear elevation view being identical;  
FIG. 3 is the right elevation view thereof, with the left elevation view being identical;  
FIG. 4 is a top plan view thereof; and,  
FIG. 5 is a bottom plan view thereof.

**1 Claim, 3 Drawing Sheets**



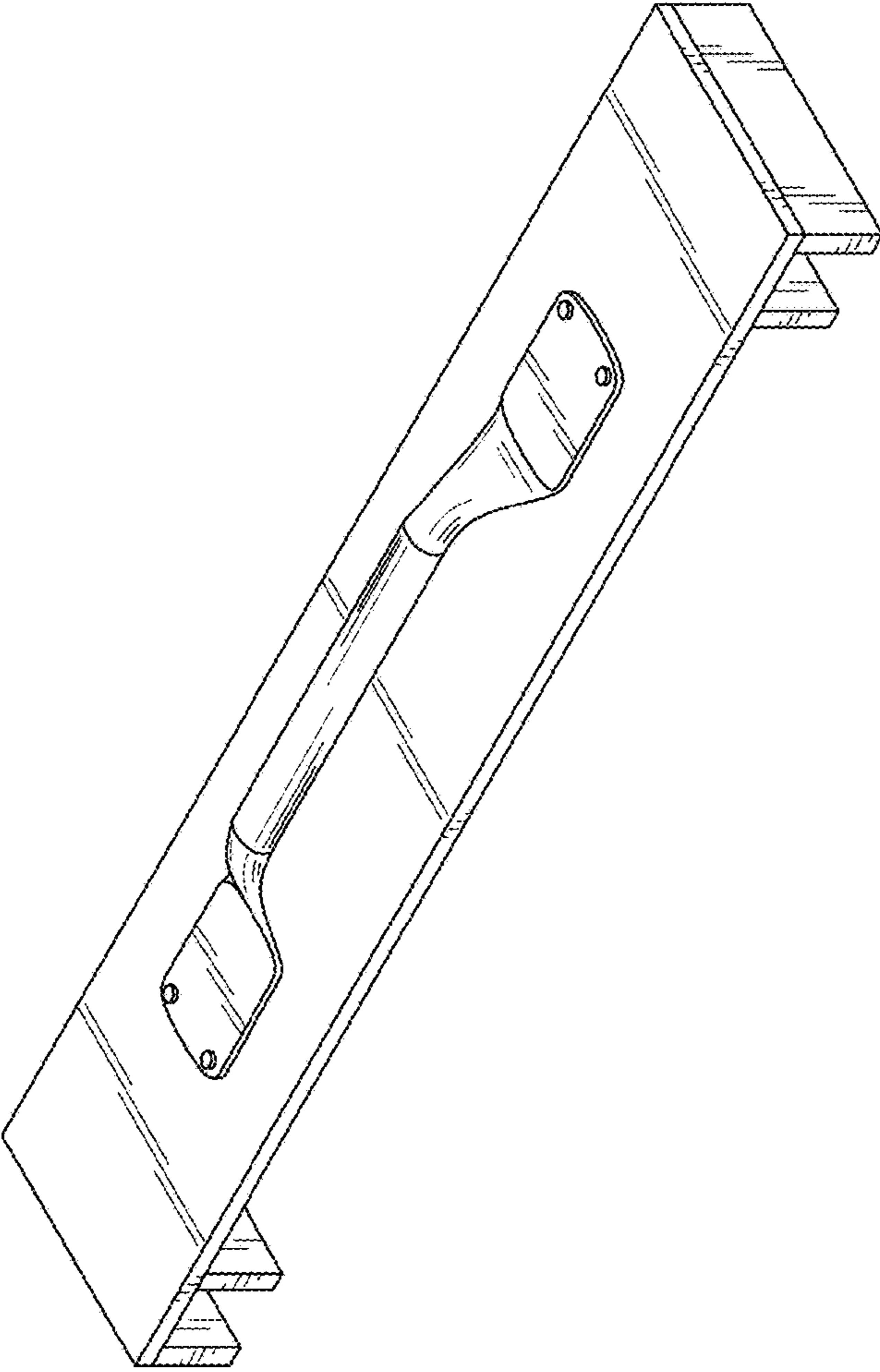


FIG. 1

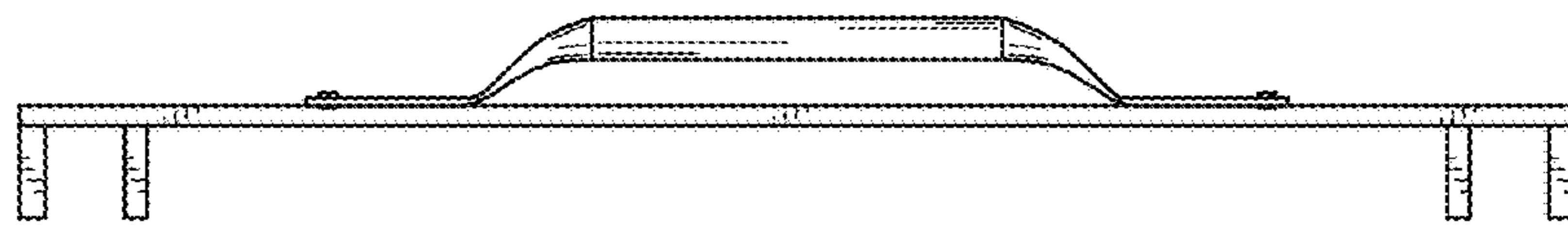


FIG. 2

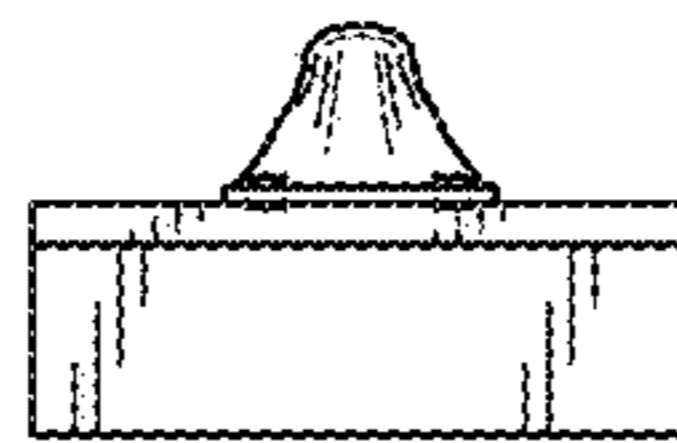


FIG. 3

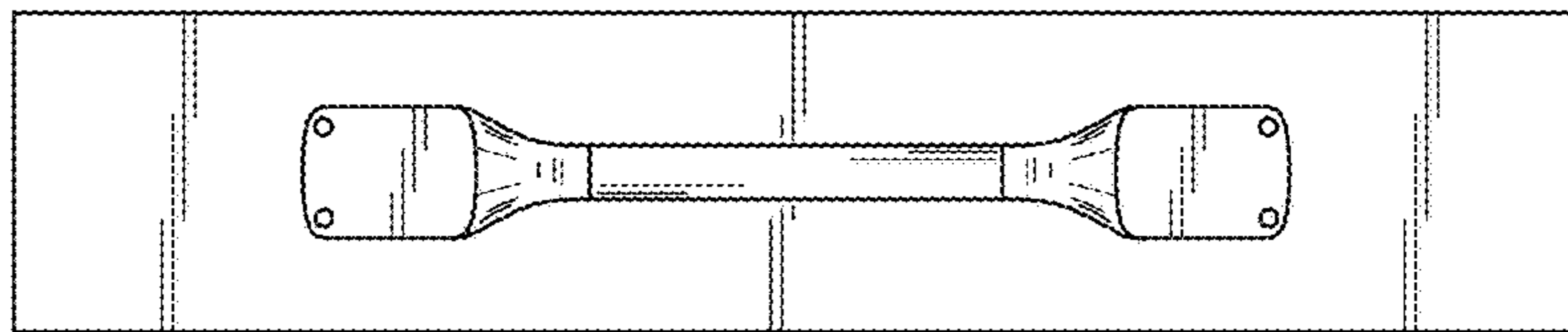


FIG. 4

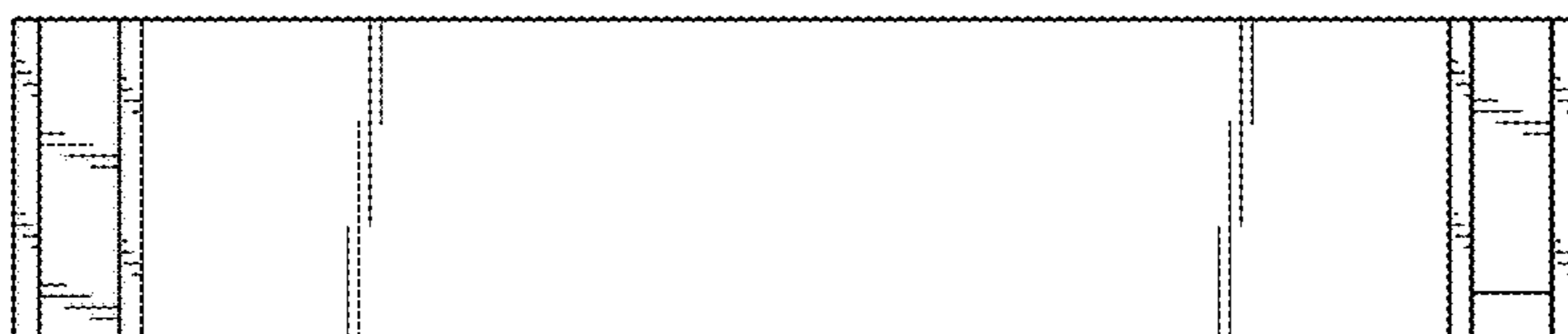


FIG. 5