



US00D834388S

(12) **United States Design Patent** (10) **Patent No.:** **US D834,388 S**
Sargeant (45) **Date of Patent:** **** Nov. 27, 2018**

(54) **SNACK POT**
(71) Applicant: **Abdoolally Ebrahim Housewares Limited, Kowloon (HK)**
(72) Inventor: **James Kenneth Sargeant, Kowloon (HK)**
(73) Assignee: **Abdoolally Ebrahim Housewares Limited, Kowloon (HK)**

D418,021 S 12/1999 Terracciano et al.
D421,901 S 3/2000 Hill
D460,690 S 7/2002 Doerschlag
6,412,653 B1 7/2002 Waterhouse
D464,425 S * 10/2002 Meron D24/104
D489,579 S 5/2004 Wright
D500,849 S * 1/2005 Rinker D24/101
D514,954 S 2/2006 Kim
D525,120 S 7/2006 Maskell et al.
D563,597 S 3/2008 Kuylenstierna
D566,484 S 4/2008 George
(Continued)

(**) Term: **15 Years**

OTHER PUBLICATIONS

(21) Appl. No.: **29/557,488**
(22) Filed: **Mar. 9, 2016**
(51) **LOC (11) Cl.** **07-06**
(52) **U.S. Cl.**
USPC **D7/703**
(58) **Field of Classification Search**
USPC D3/201, 203.3, 272, 294–296; D7/213,
D7/387, 601, 602, 608, 701, 703;
D9/414, 420–422, 430, 434–436, 439,
D9/440, 443, 447, 499; D24/101, 104
CPC B65D 5/0085; B65D 5/009
See application file for complete search history.

AliExpress. empty gold color plastic round shape lip stick tube. 2016 [earliest online date], [site visited Apr. 13, 2017]. Available from Internet, <URL:https://www.aliexpress.com/item/50-pcs-lot-wholesale-empty-gold-color-aluminum-round-shape-lip-stick-lipbalm-tube-container-similar/32605959721.html?spm=2114.40010308.4.97.E86kte>.*

(Continued)

Primary Examiner — Robert M Spear
Assistant Examiner — Darcey E Heflin
(74) *Attorney, Agent, or Firm* — Schacht Law Office, Inc.; Dwayne Rogge

(56) **References Cited**

(57) **CLAIM**

The ornamental design for a snack pot, as shown and described.

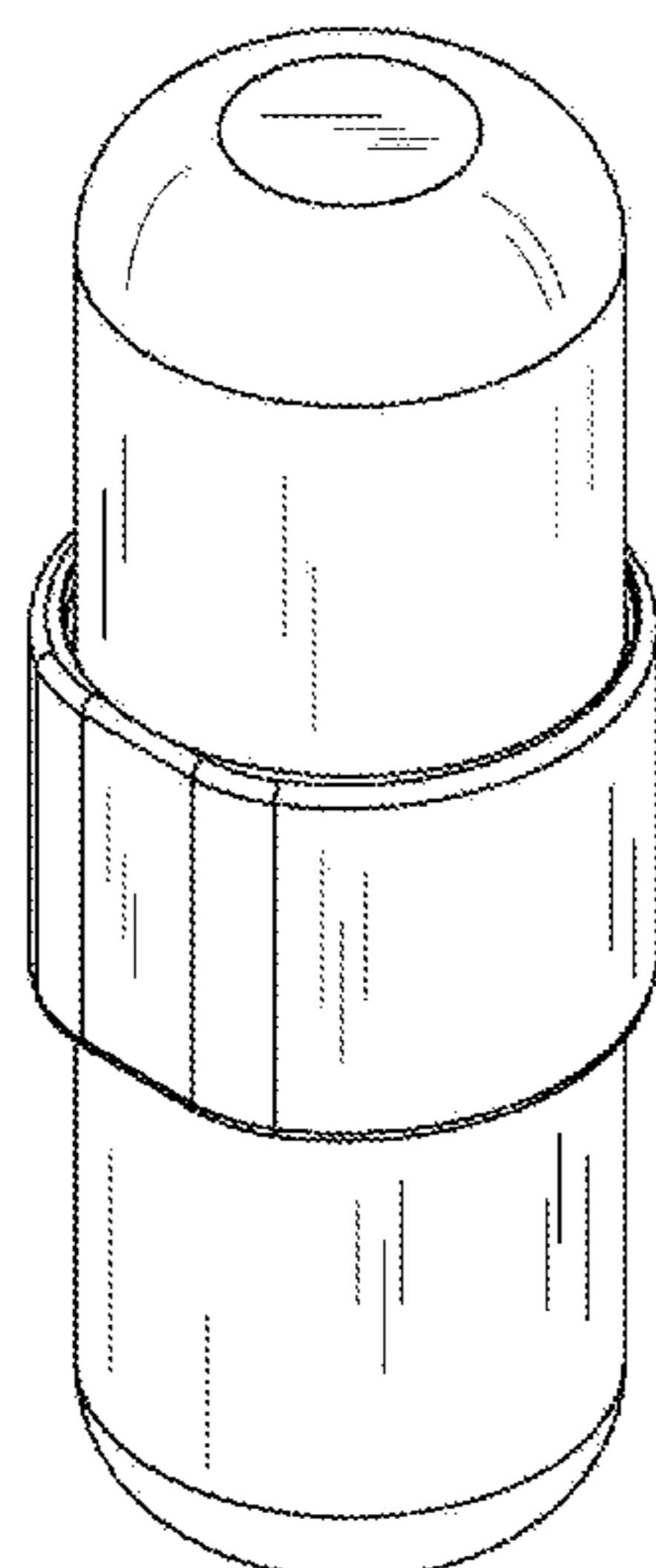
U.S. PATENT DOCUMENTS

DESCRIPTION

D26,064 S * 9/1896 Schondelmeier D9/439
D113,857 S * 3/1939 Sundee D3/294
3,410,697 A 11/1968 Stephenson
D217,005 S * 3/1970 Maben D7/536
D231,616 S * 5/1974 Hildebrant D24/224
D235,215 S * 5/1975 Larson D24/104
D246,289 S 11/1977 Boucher
D250,433 S 11/1978 Malcolm
D261,105 S * 10/1981 Schwartz D9/504
4,300,700 A 11/1981 Chang
D349,238 S * 8/1994 Haber D24/226
5,427,265 A 6/1995 Cautereels et al.
D361,507 S * 8/1995 Langemann D3/201
D369,497 S * 5/1996 Seddon D9/436

FIG. 1 is a top isometric view of a snack pot embodying the new design.
FIG. 2 is a right side view.
FIG. 3 is a front view thereof.
FIG. 4 is a bottom view thereof.
FIG. 5 is a top view thereof.
FIG. 6 is a left side view thereof; and,
FIG. 7 is a rear view thereof.

1 Claim, 2 Drawing Sheets



(56)

References Cited

U.S. PATENT DOCUMENTS

D592,313 S * 5/2009 Levine D24/214
 D598,748 S * 8/2009 Zeyfang D9/443
 D601,399 S * 10/2009 Chen D8/83
 D612,042 S * 3/2010 Noren D24/104
 D636,071 S * 4/2011 Bhatt D24/104
 D638,739 S * 5/2011 Rockefeller D11/1
 D640,131 S 6/2011 Gibson et al.
 D647,401 S * 10/2011 Stein D9/439
 D649,869 S 12/2011 Gibson et al.
 D650,267 S 12/2011 Gibson et al.
 D650,268 S 12/2011 Gibson et al.
 D665,072 S * 8/2012 Trento D24/104
 D691,480 S * 10/2013 Shukla D24/104
 D695,575 S 12/2013 Katz
 D695,604 S 12/2013 Wichowski
 D721,283 S * 1/2015 Lawrance D9/689
 D721,958 S * 2/2015 Hamway D9/436
 D773,641 S * 12/2016 Sadler D24/101
 D778,173 S * 2/2017 Pisarevsky D3/203.3
 2008/0188365 A1 8/2008 Piazza et al.
 2013/0233854 A1 9/2013 Smyers et al.
 2013/0234406 A1 9/2013 Harvey et al.

OTHER PUBLICATIONS

Red Dot 21. Snack Pot. 2017 [earliest online date], [site visited Aug. 1, 2017]. Available from Internet, <URL:<https://red-dot-21.com/p/design-products/kitchen-accessories-tableware/containers/snack-pot/>>.*

Abdoolally Ebrahim Housewares Limited, Healthy Box Family, Oct. 2014, 19 pages, presented in Canada and United States.

Abdoolally Ebrahim Housewares Limited, Healthy Snack Box Duo, Feb., 2014, 7 pages, presented at Ambiente Fair.

* cited by examiner

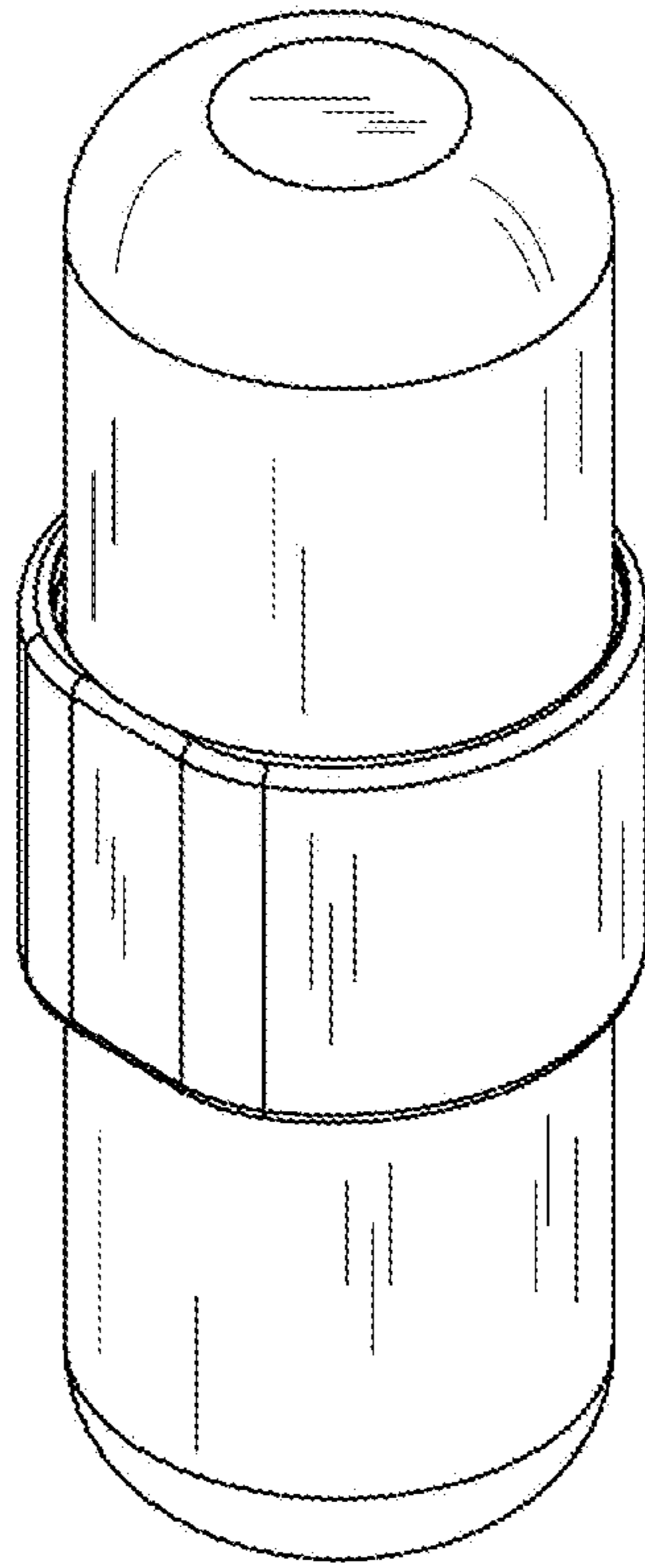


Fig. 1

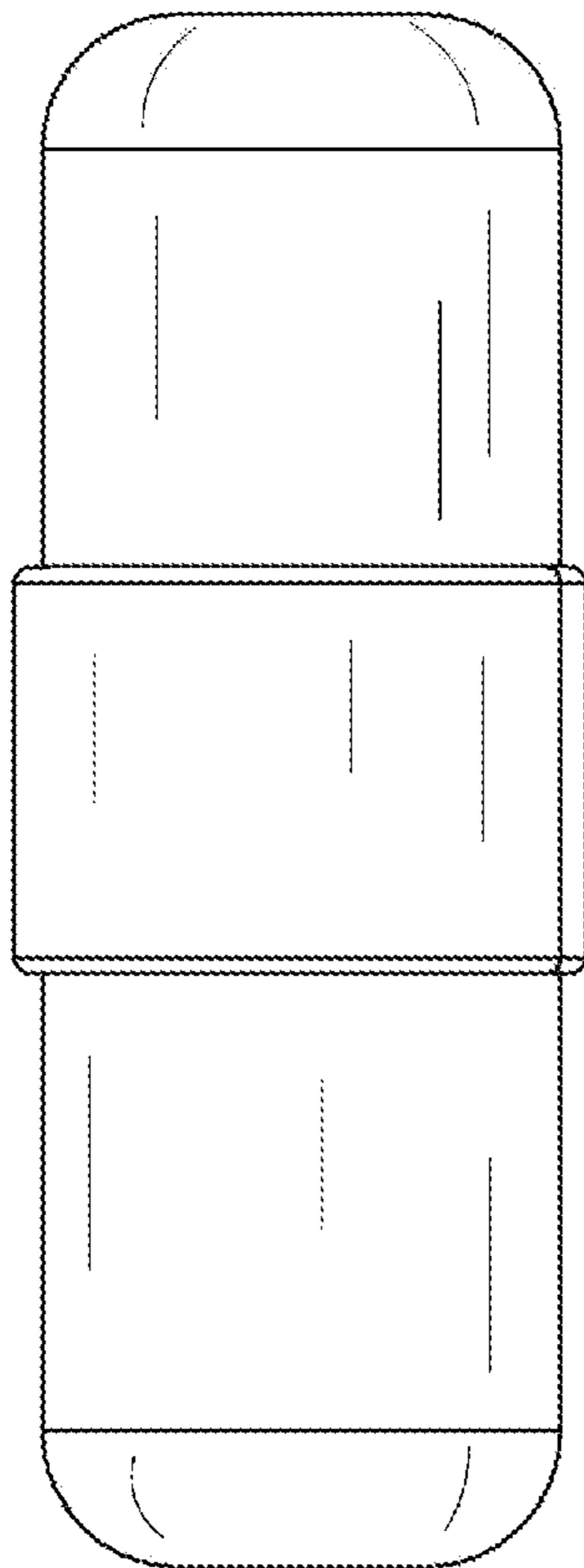


Fig. 2

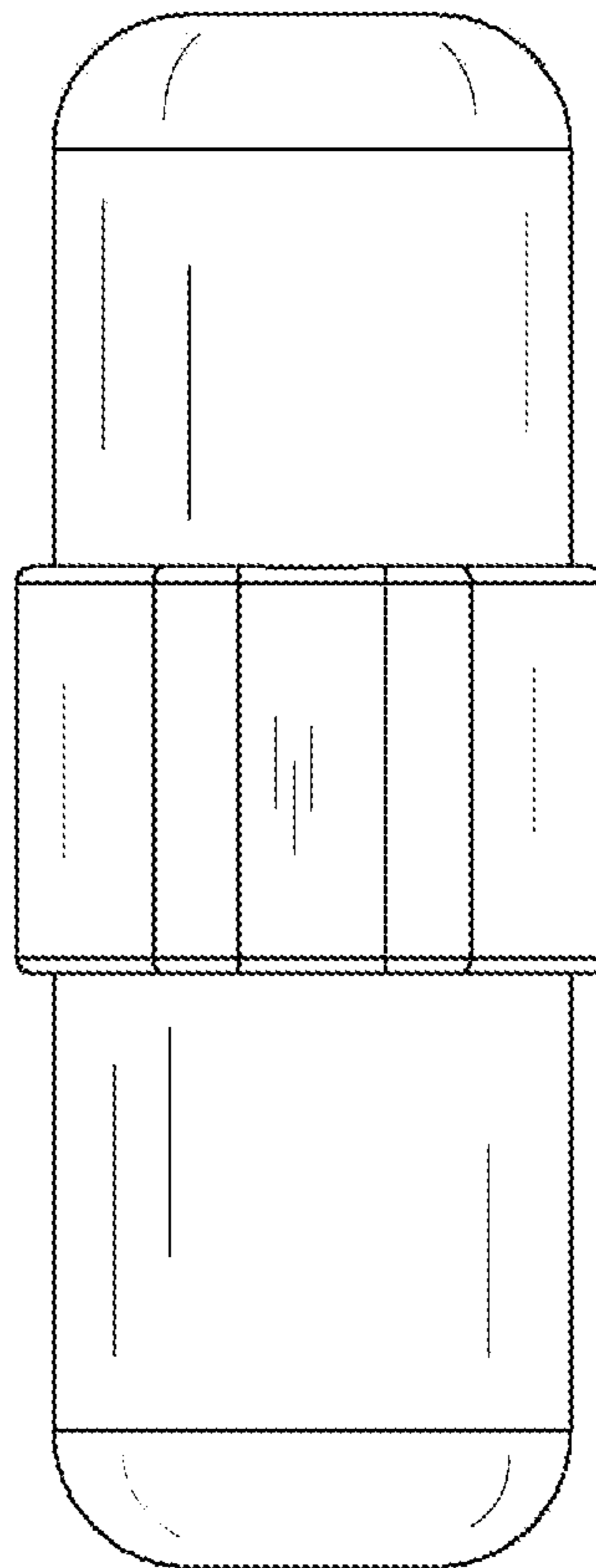


Fig. 3

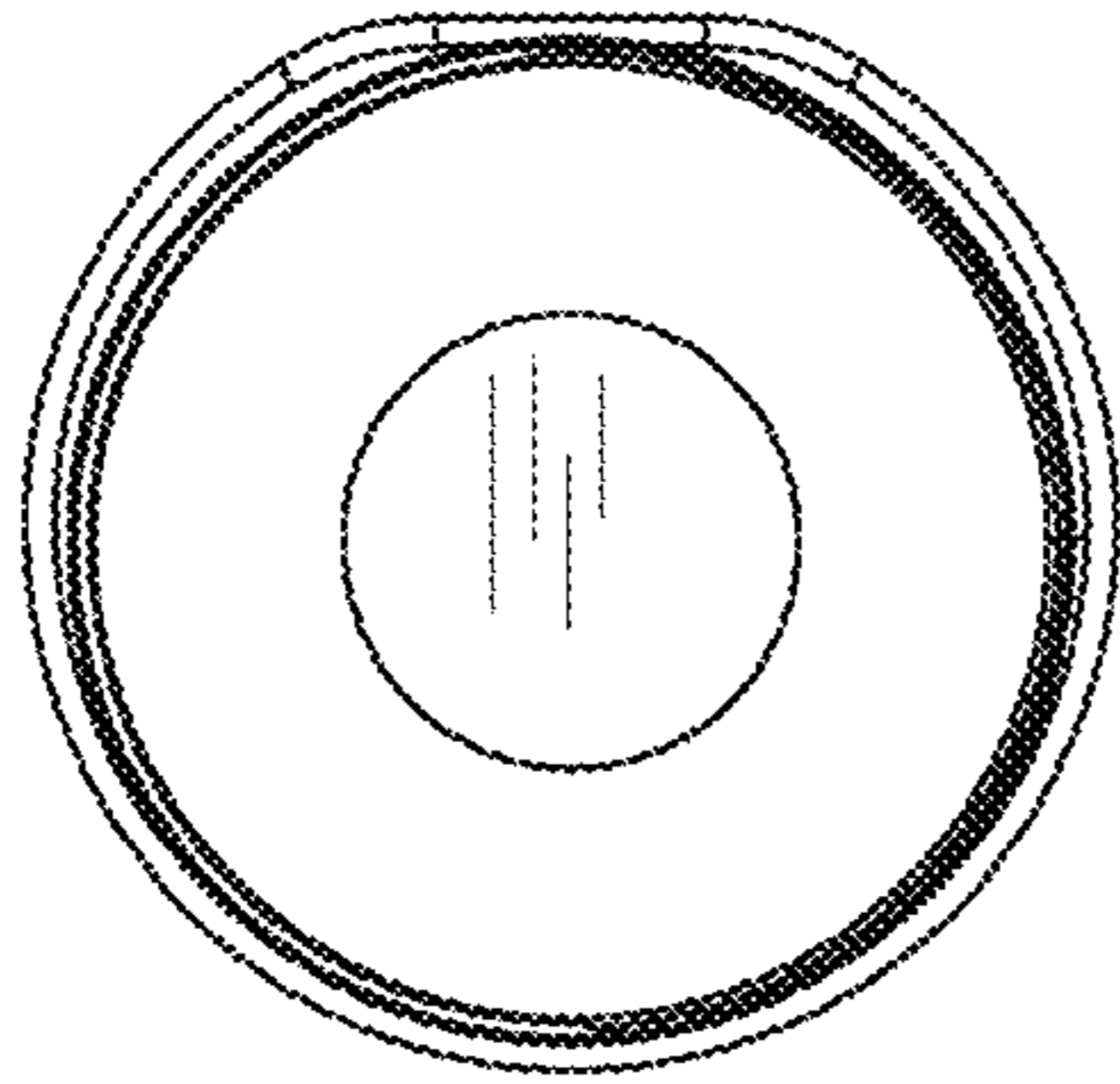


Fig. 4

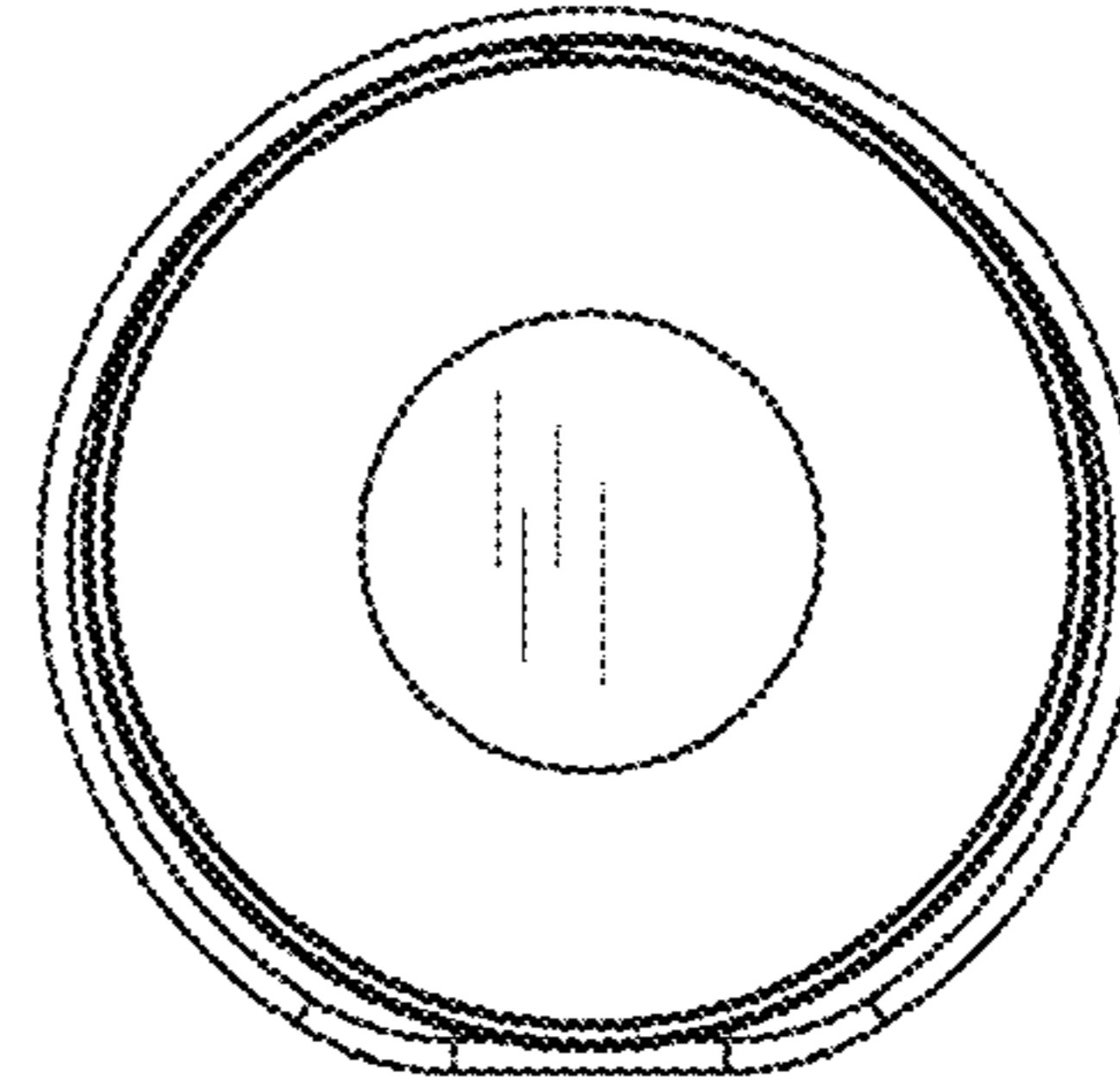


Fig. 5

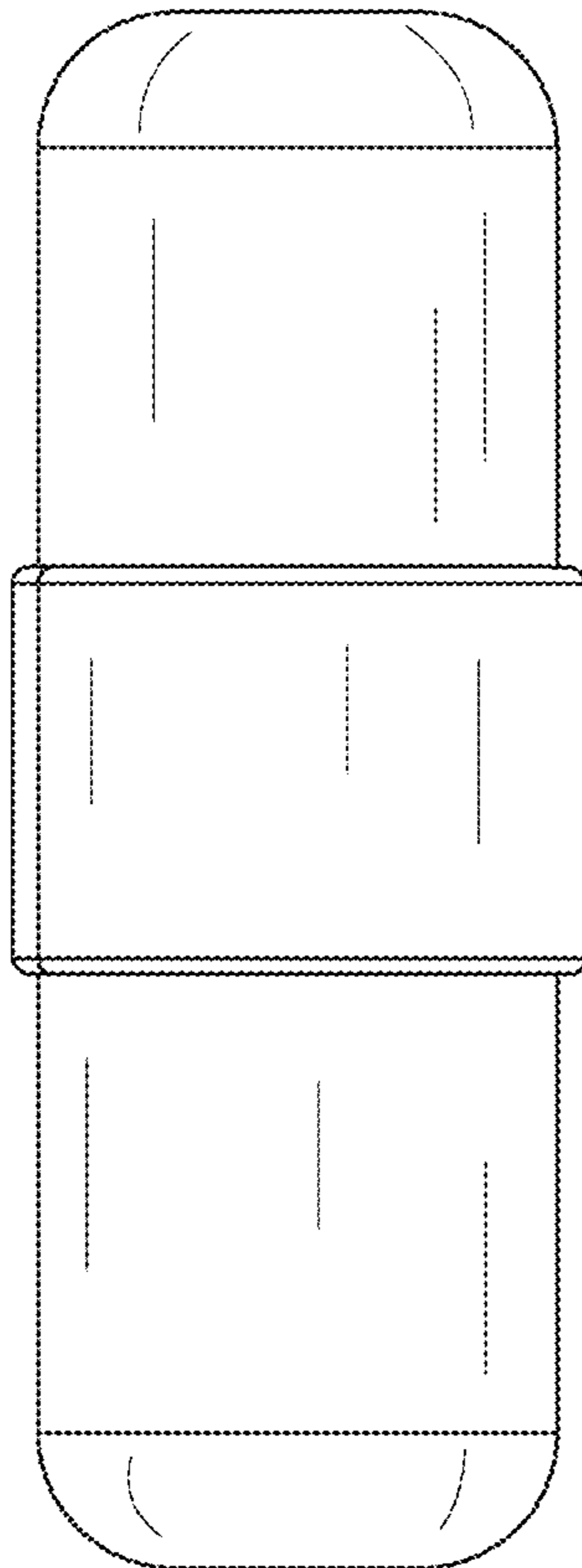


Fig. 6

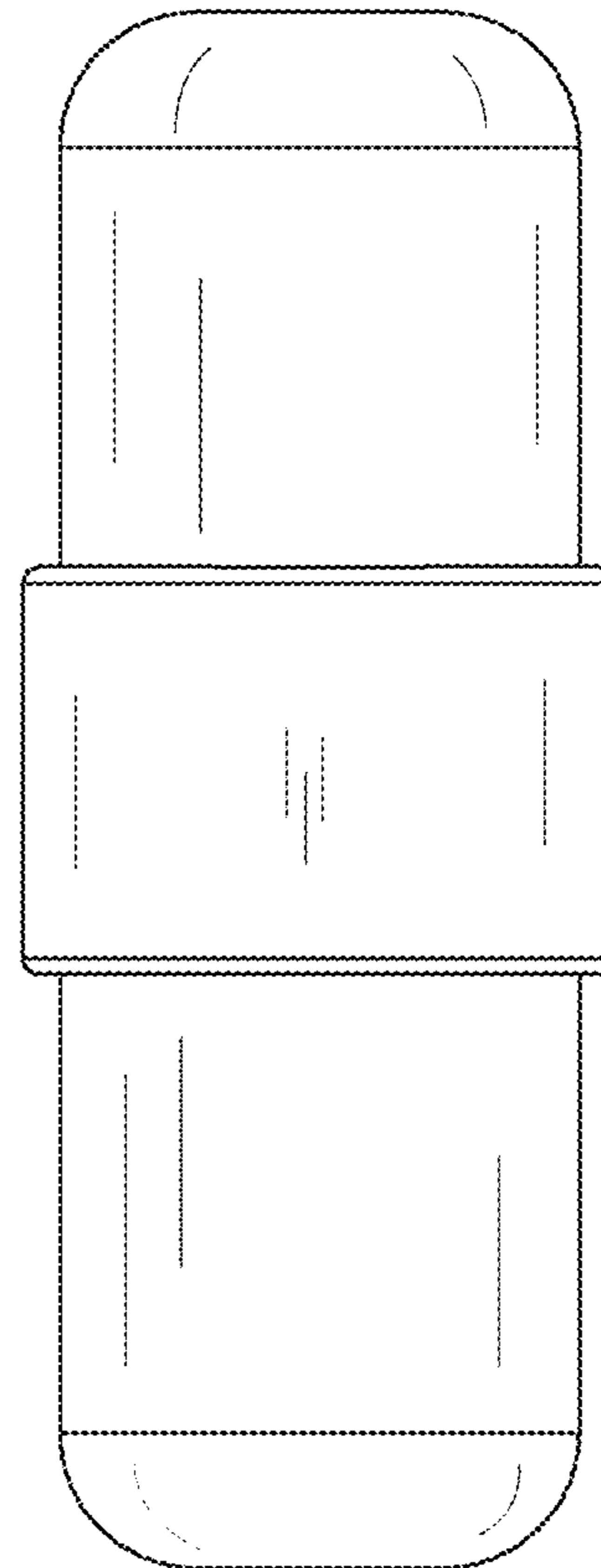


Fig. 7