

US00D834383S

(12) **United States Design Patent** (10) **Patent No.:** **US D834,383 S**
Bazzicalupo et al. (45) **Date of Patent:** **** Nov. 27, 2018**

(54) **FRUIT JUICE EXTRACTOR**

(71) Applicant: **SMEG S.P.A.**, Guastalla (IT)

(72) Inventors: **Leopoldo Bazzicalupo**, Sale Marasino (IT); **Raffaella Mangiarotti**, Milan (IT)

(73) Assignee: **SMEG S.P.A.** (IT)

(**) Term: **15 Years**

(21) Appl. No.: **35/502,408**

(22) Filed: **Jan. 5, 2017**

(80) **Hague Agreement Data**

Int. Filing Date: **Sep. 29, 2016**

Int. Reg. No.: **DM/094455**

Int. Reg. Date: **Jan. 5, 2017**

Int. Reg. Pub. Date: **Feb. 3, 2017**

(51) **LOC (11) Cl.** **31-00**

(52) **U.S. Cl.**

USPC **D7/665**

(58) **Field of Classification Search**

USPC D7/665-668, 372, 376, 381, 382

CPC A47J 19/02; A47J 19/027; A47J 19/00;

A47J 19/06; A47J 19/022; A47J 43/046;

A47J 43/0794; A23N 1/02; A23N 1/003

See application file for complete search history.

(56) **References Cited**

U.S. PATENT DOCUMENTS

D594,717 S * 6/2009 Wu Chang D7/665

D641,214 S * 7/2011 Choi D7/665

D670,138 S * 11/2012 Hu D7/665

D684,827 S * 6/2013 Kim D7/665

D698,210 S * 1/2014 Lavy D7/665

D718,094 S * 11/2014 Yan D7/665

D733,505 S * 7/2015 Choi D7/665

D739,686 S * 9/2015 Benoit D7/665

D744,792 S * 12/2015 Kim D7/665

D772,023 S * 11/2016 Allende Fritsch D7/665

D775,491 S * 1/2017 Brinkley D7/372

* cited by examiner

Primary Examiner — Michael A. Pratt

(74) *Attorney, Agent, or Firm* — The Belles Group, P.C.

(57) **CLAIM**

The ornamental design for a fruit juice extractor, as shown and described.

DESCRIPTION

1. Fruit juice extractor

1.1 is a perspective view of a fruit juice extractor in accordance with the present design;

1.2 is a front view thereof;

1.3 is a right side view thereof;

1.4 is a left side view thereof;

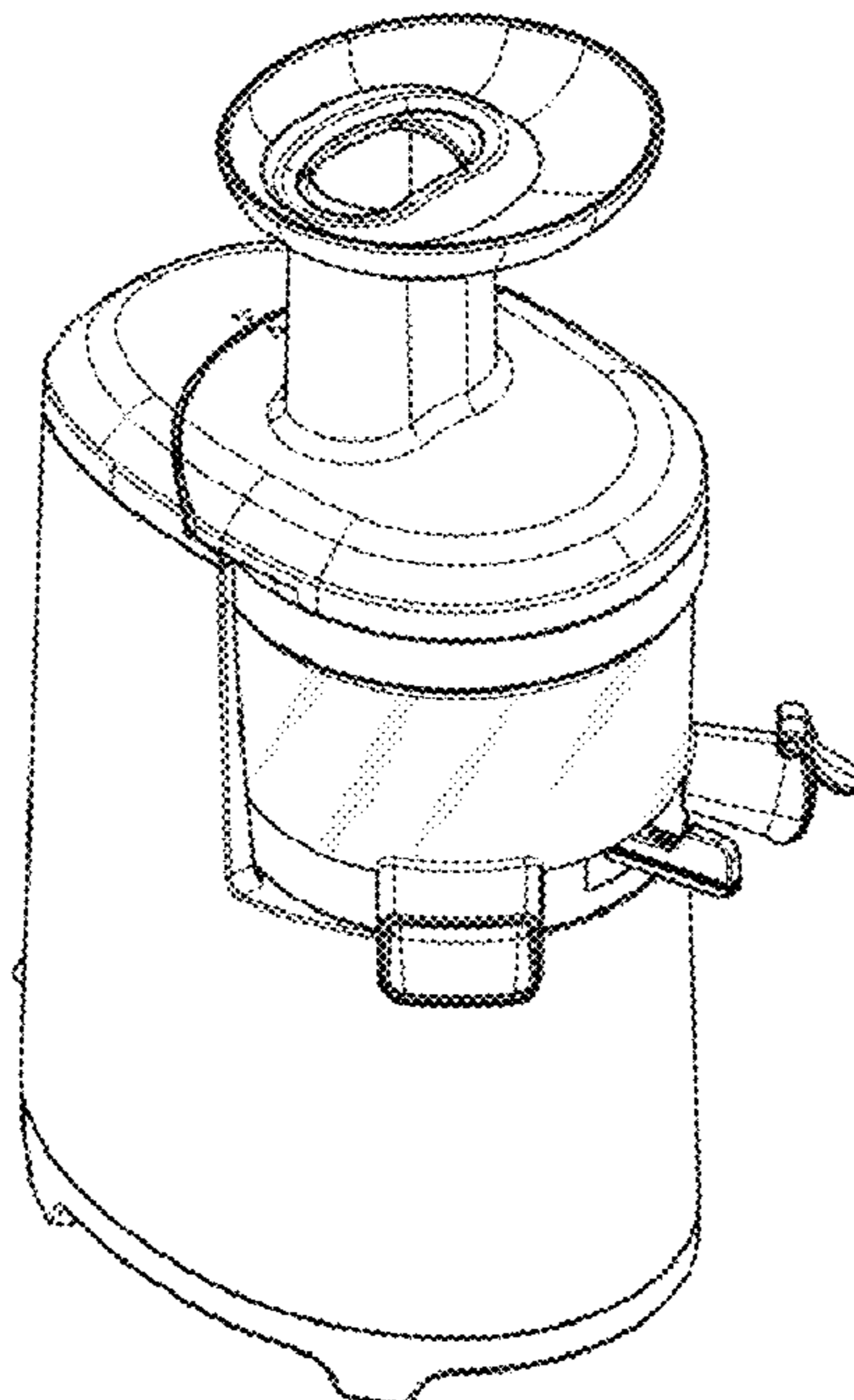
1.5 is a rear view thereof;

1.6 is a top view thereof; and

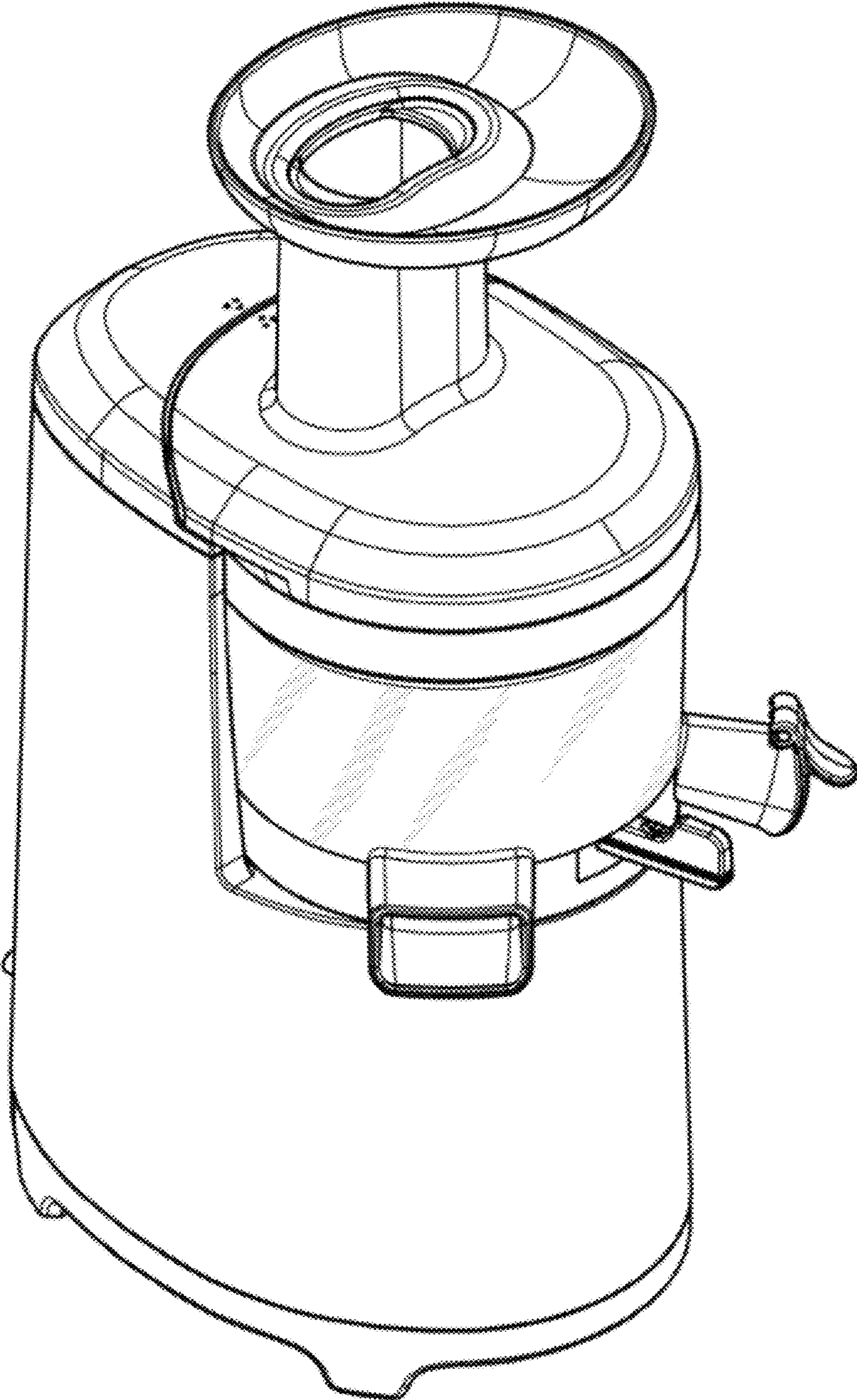
1.7 is a bottom view thereof.

The broken lines shown represent portions of the article that form no part of the claimed design.

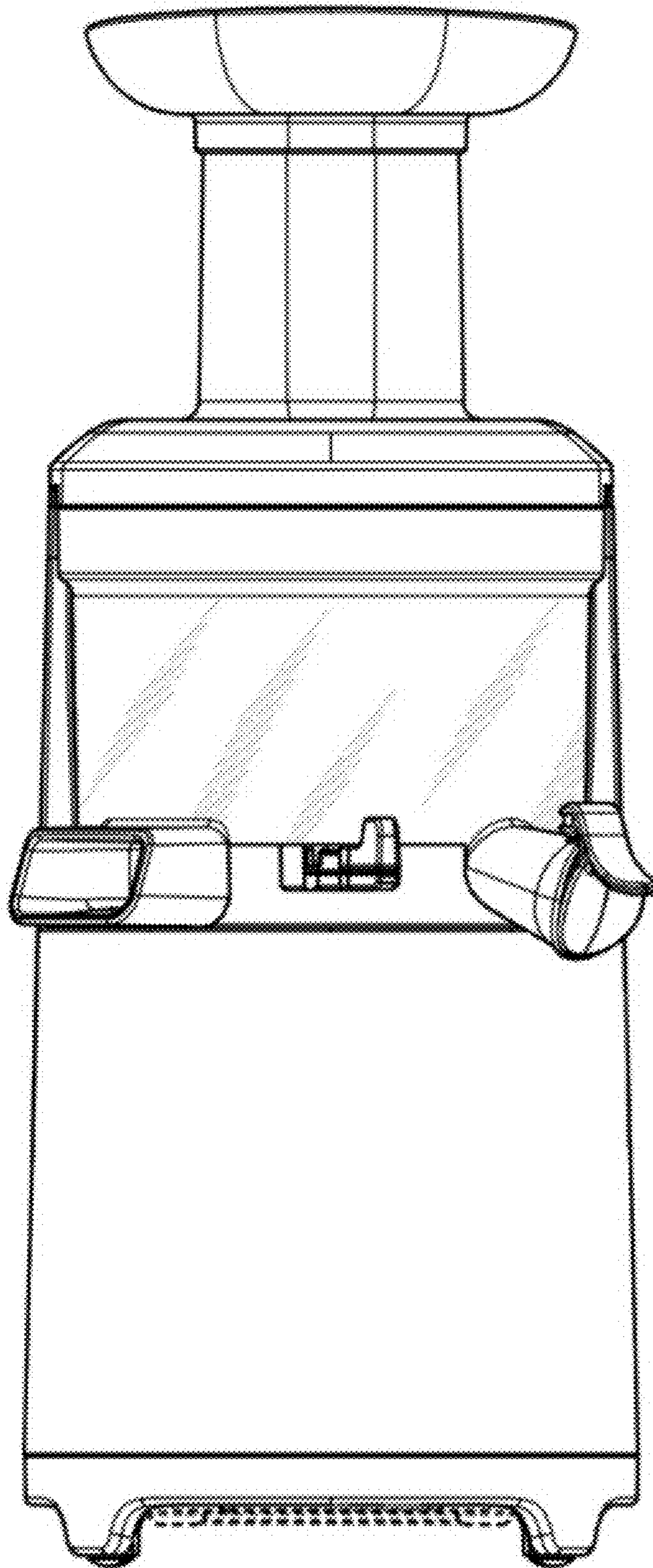
1 Claim, 7 Drawing Sheets



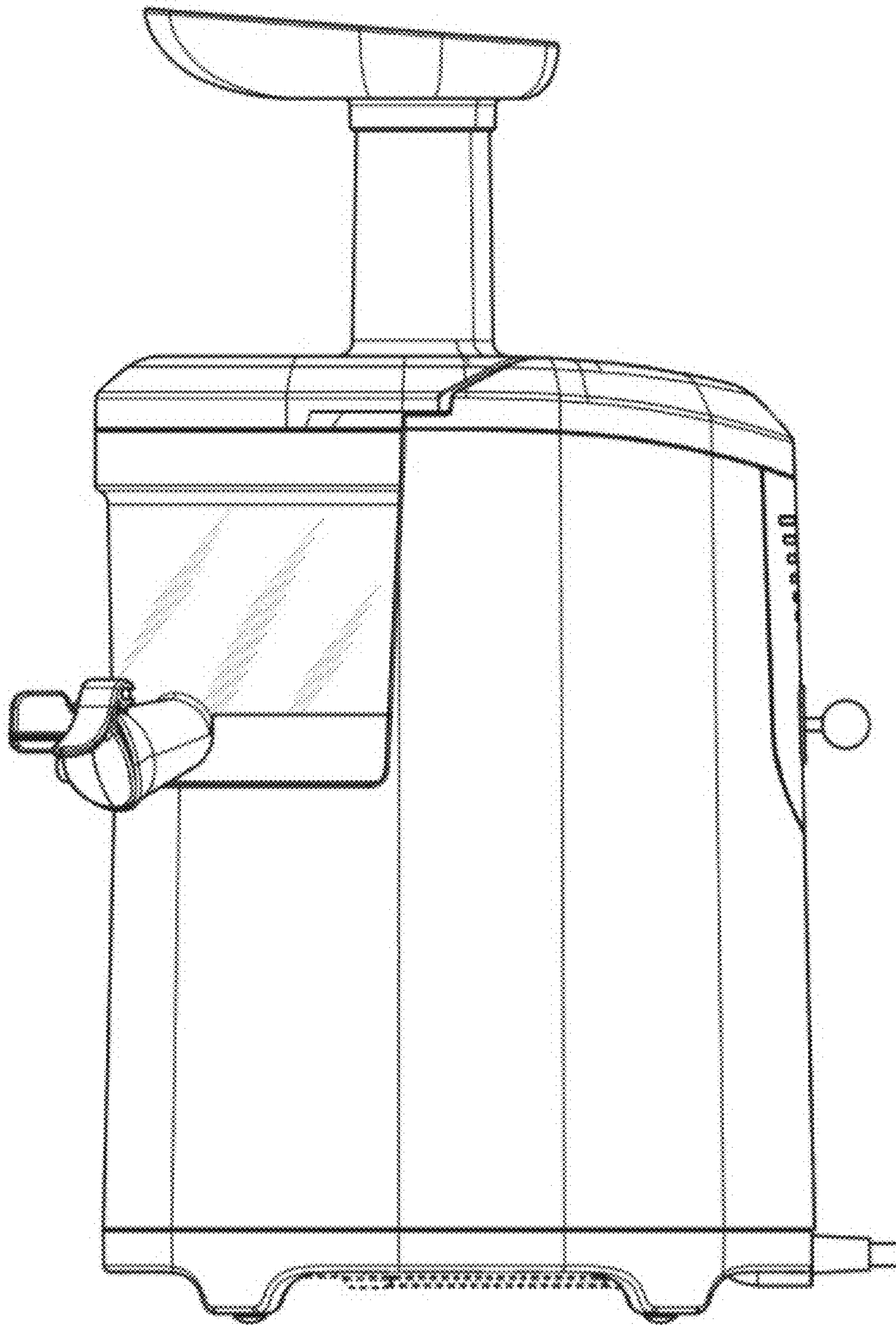
1.1



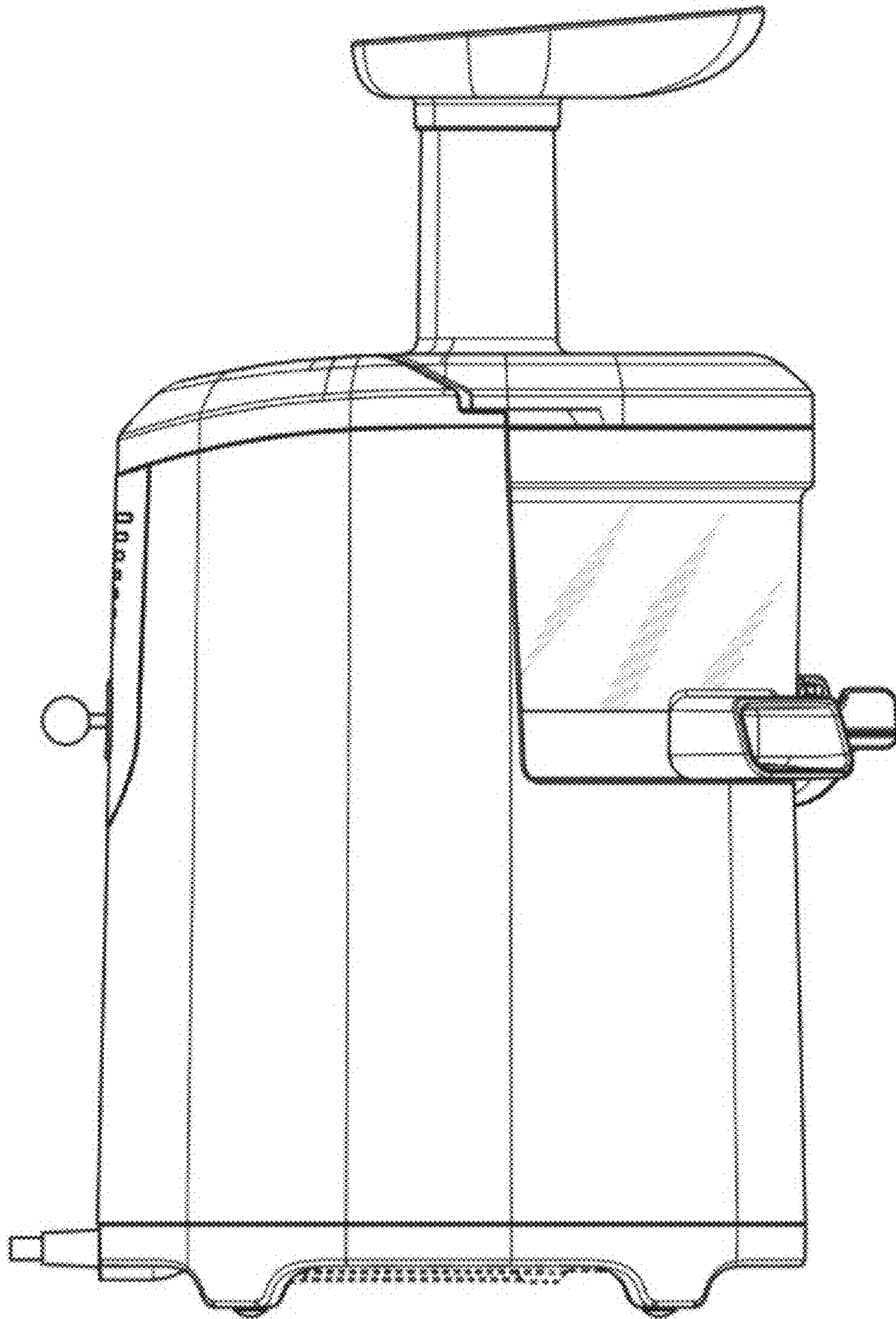
1.2



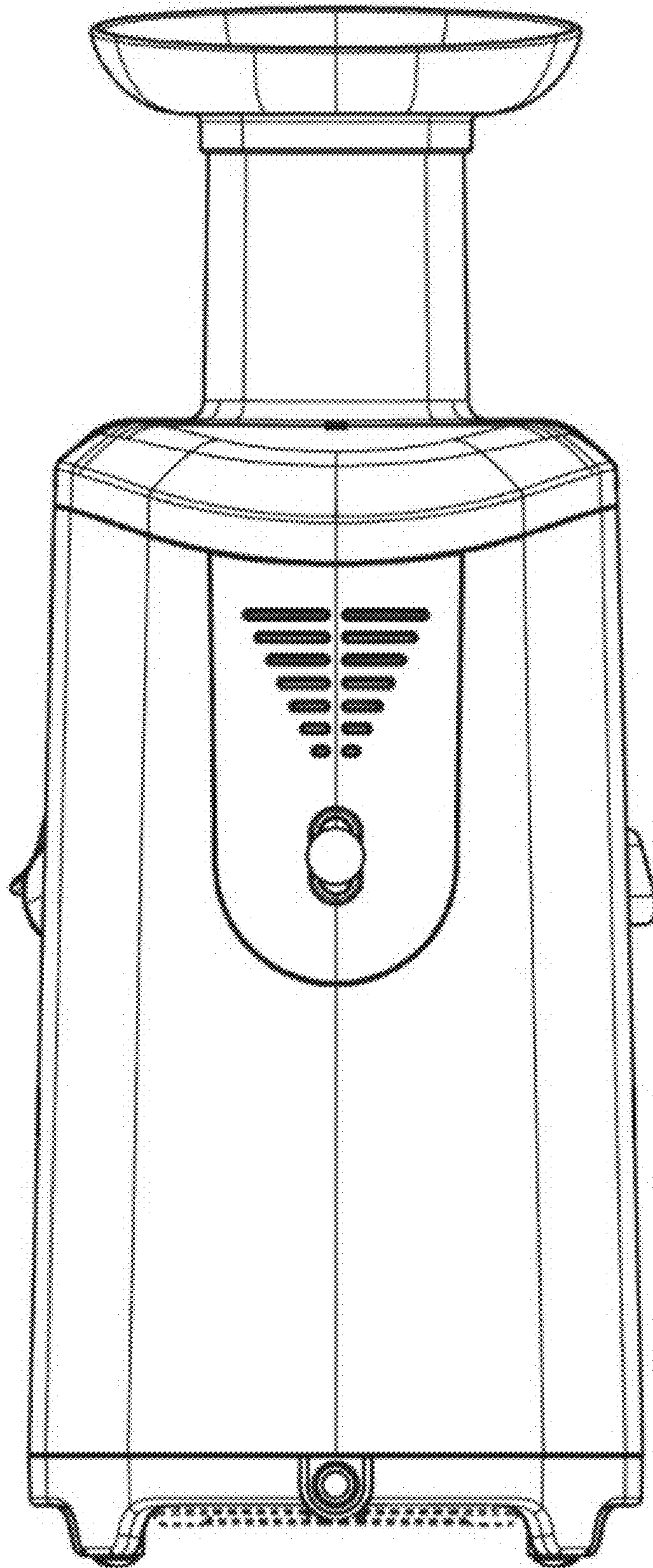
1.3



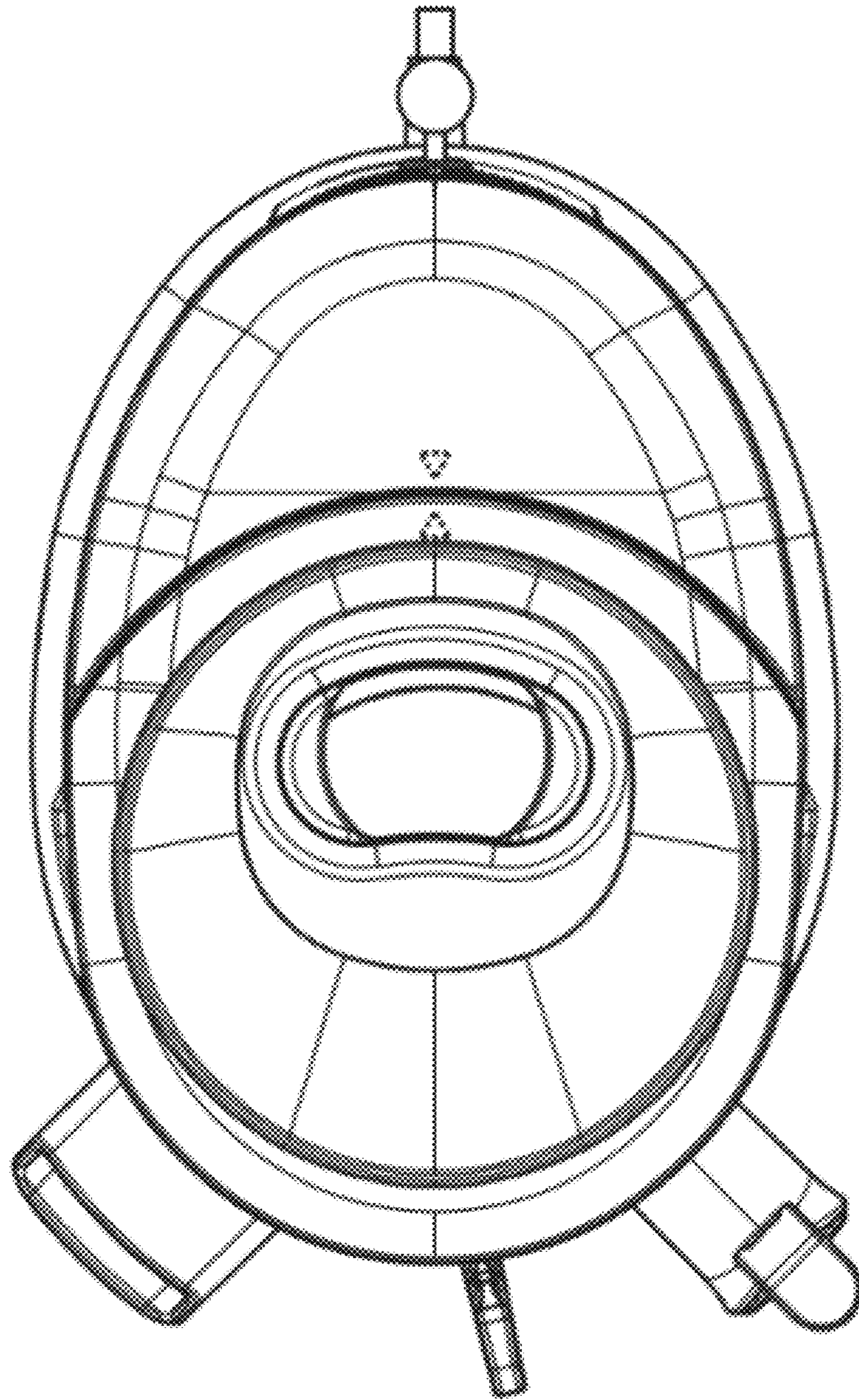
1.4



1.5



1.6



1.7

