



US00D834380S

(12) **United States Design Patent**
Liu

(10) **Patent No.:** **US D834,380 S**

(45) **Date of Patent:** **** Nov. 27, 2018**

(54) **DESSERT FORK WITH SLOTTED PATTERN**

(71) Applicant: **JiJun Liu**, Sacramento, CA (US)

(72) Inventor: **JiJun Liu**, Sacramento, CA (US)

(73) Assignee: **JiJun Liu**, Sacramento, CA (US)

(**) Term: **15 Years**

(21) Appl. No.: **29/651,044**

(22) Filed: **Nov. 6, 2017**

(51) **LOC (11) Cl.** **07-03**

(52) **U.S. Cl.**
USPC **D7/643; D7/653**

(58) **Field of Classification Search**

USPC D7/368, 401.2, 642-647, 653-664, 669,
D7/675-677, 683, 688-689, 691;
D8/107, 300-301; D22/117-118
CPC ... A01D 9/02; A01D 9/04; A01D 9/06; A47G
21/00; A47G 21/004; A47G 21/005;
A47G 21/02; A47G 21/023; A47G 21/04;
A47G 21/06; A47G 21/08; A47J 43/28;
A47J 43/281; A47J 43/282; A61F 13/10;
A61J 7/0023; B25G 1/00; B25G 1/01;
B25G 1/02; B25G 3/00; B65D 75/56;
B65D 75/563; B65D 75/566; B67B 7/00;
B67B 7/724; B67B 7/73

See application file for complete search history.

(56) **References Cited**

U.S. PATENT DOCUMENTS

1,699,248 A * 1/1929 Pasal A47G 21/02
30/148
2,185,942 A * 1/1940 Frank A47G 21/02
30/147
D169,830 S * 6/1953 St. Clair A47J 43/28
30/321

D206,548 S * 12/1966 Latham D7/647
4,896,423 A * 1/1990 Kinsey A47G 21/02
30/322
6,119,351 A * 9/2000 Vanderputt A47G 21/02
30/147
D761,627 S * 7/2016 Waters A47G 21/02
D7/653
D762,089 S * 7/2016 Waters D7/653
D808,232 S * 1/2018 Liu A47G 21/02
D7/653
2008/0148575 A1 * 6/2008 Chan A47G 21/02
30/150
2008/0201959 A1 * 8/2008 Kent A47G 21/02
30/147
2011/0214291 A1 * 9/2011 Blitz A47J 43/28
30/142
2017/0340151 A1 * 11/2017 Liu A47G 21/02

* cited by examiner

Primary Examiner — Ricky Pham

(57) **CLAIM**

The ornamental design for a dessert fork with slotted pattern, as shown and described.

DESCRIPTION

FIG. 1 is a side view of the dessert fork with slotted pattern showing my new design, the opposite side view being a mirror image thereof.

FIG. 2 is a perspective view of the dessert fork with slot pattern.

FIG. 3 is top plan view of the dessert fork with parallel slot pattern.

FIG. 4 is a bottom view of the dessert fork with parallel slot pattern.

FIG. 5 is an enlarged front view of the dessert fork with slotted pattern; and,

FIG. 6 is an enlarged rear view of the dessert fork with slotted pattern.

1 Claim, 6 Drawing Sheets

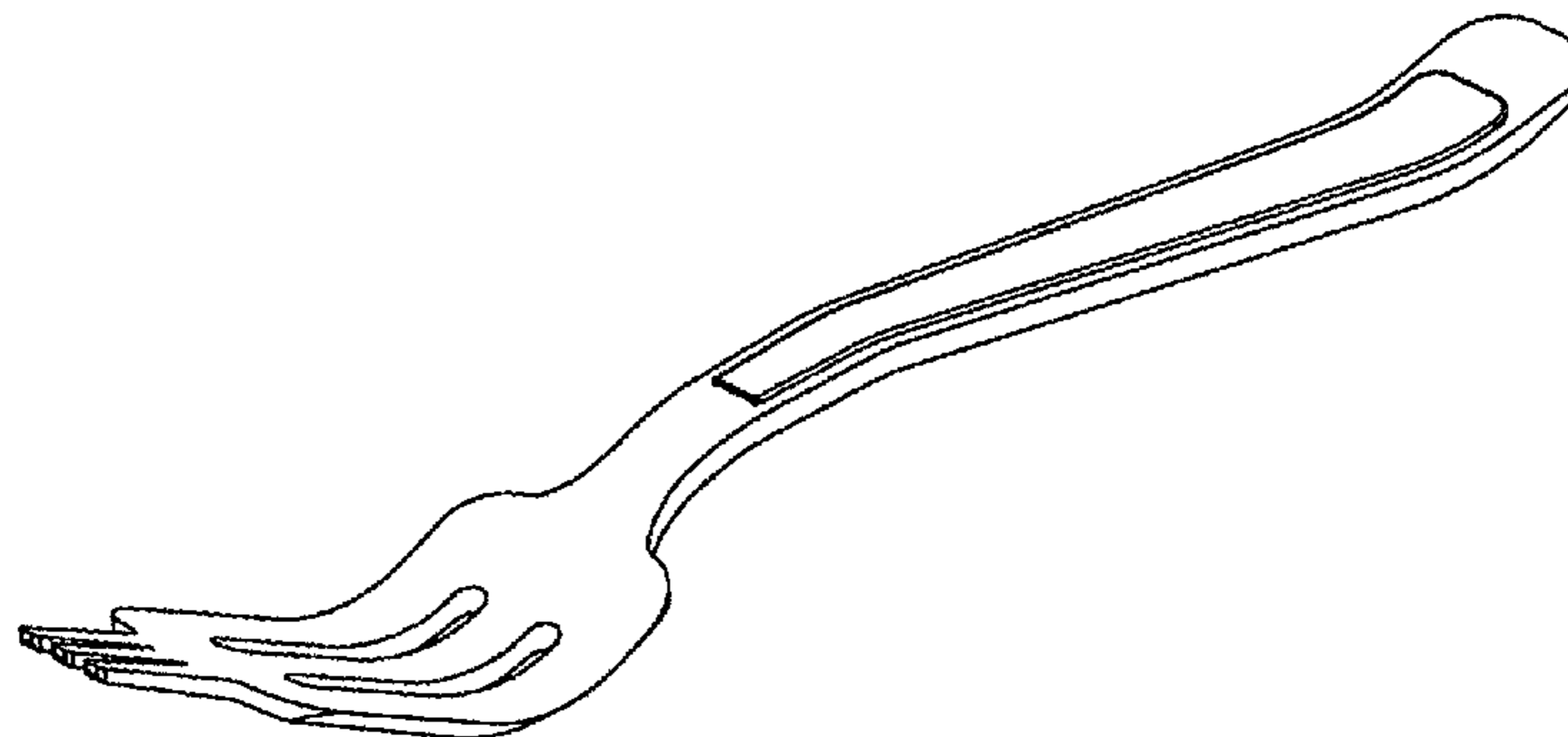




FIG. 1

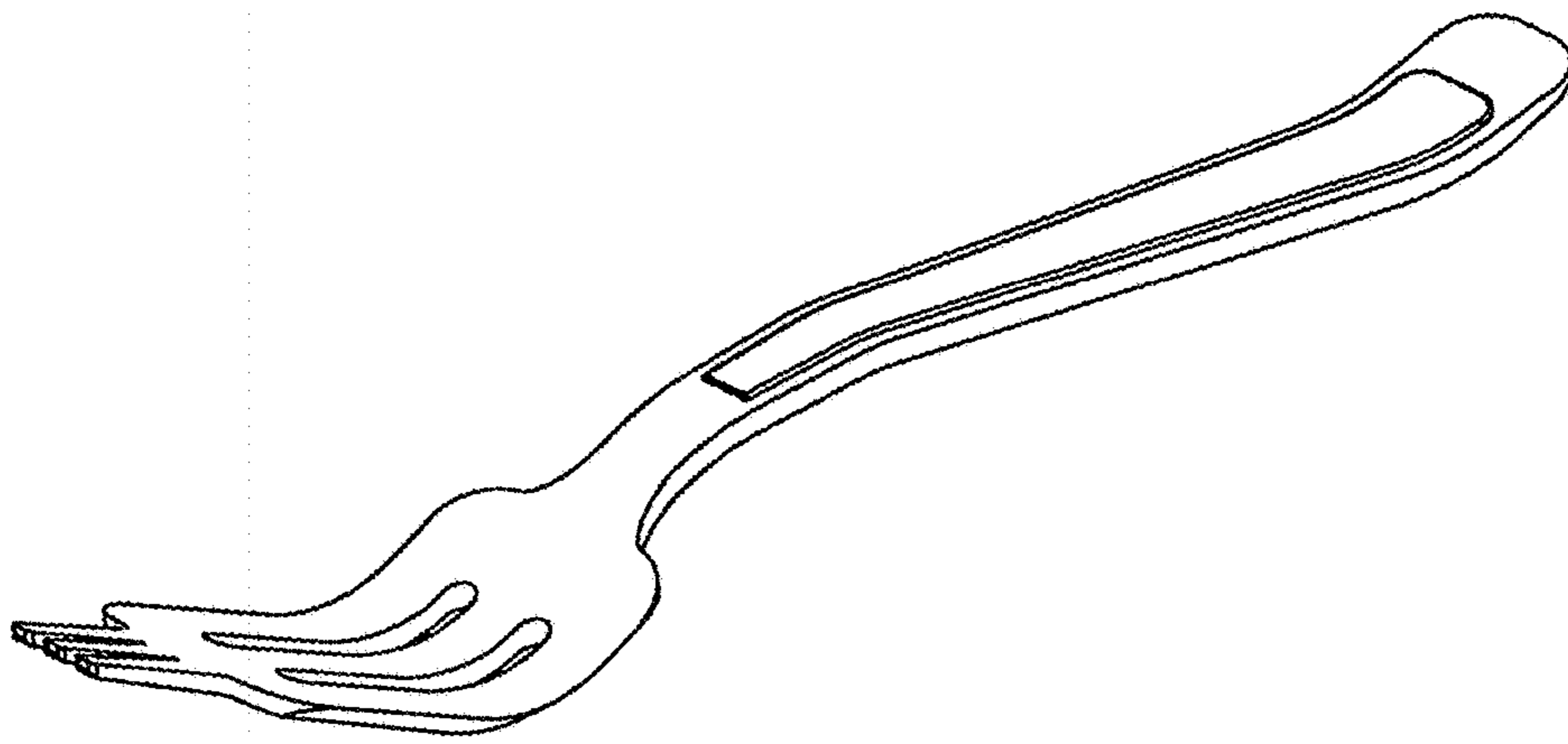


FIG. 2

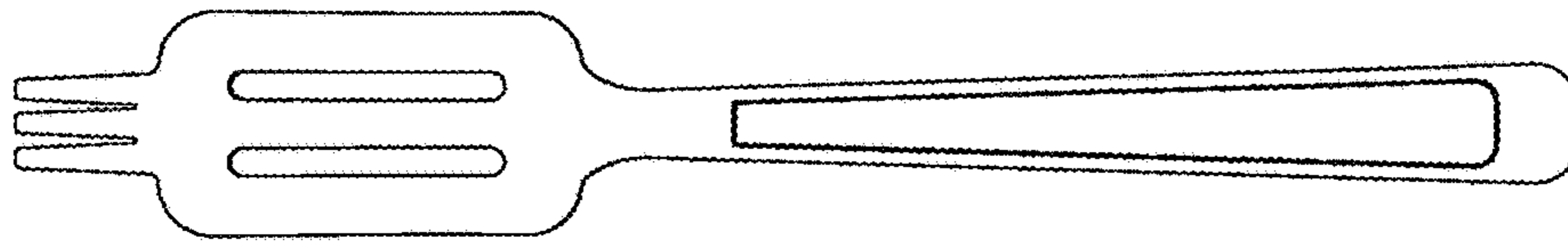


FIG. 3

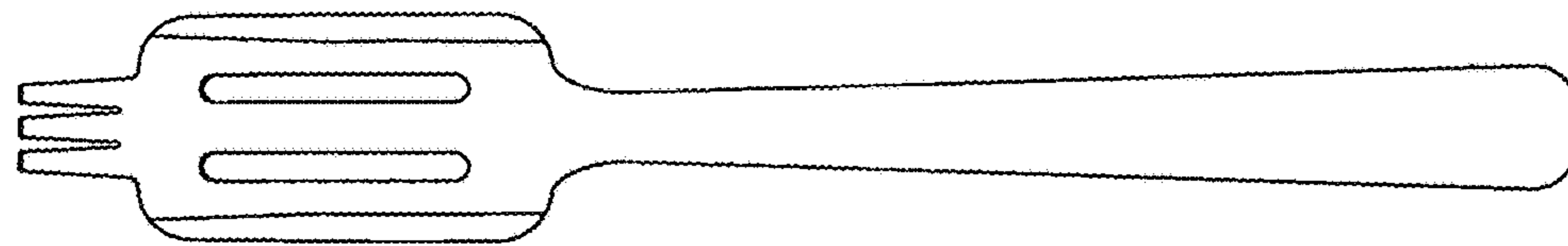


FIG. 4

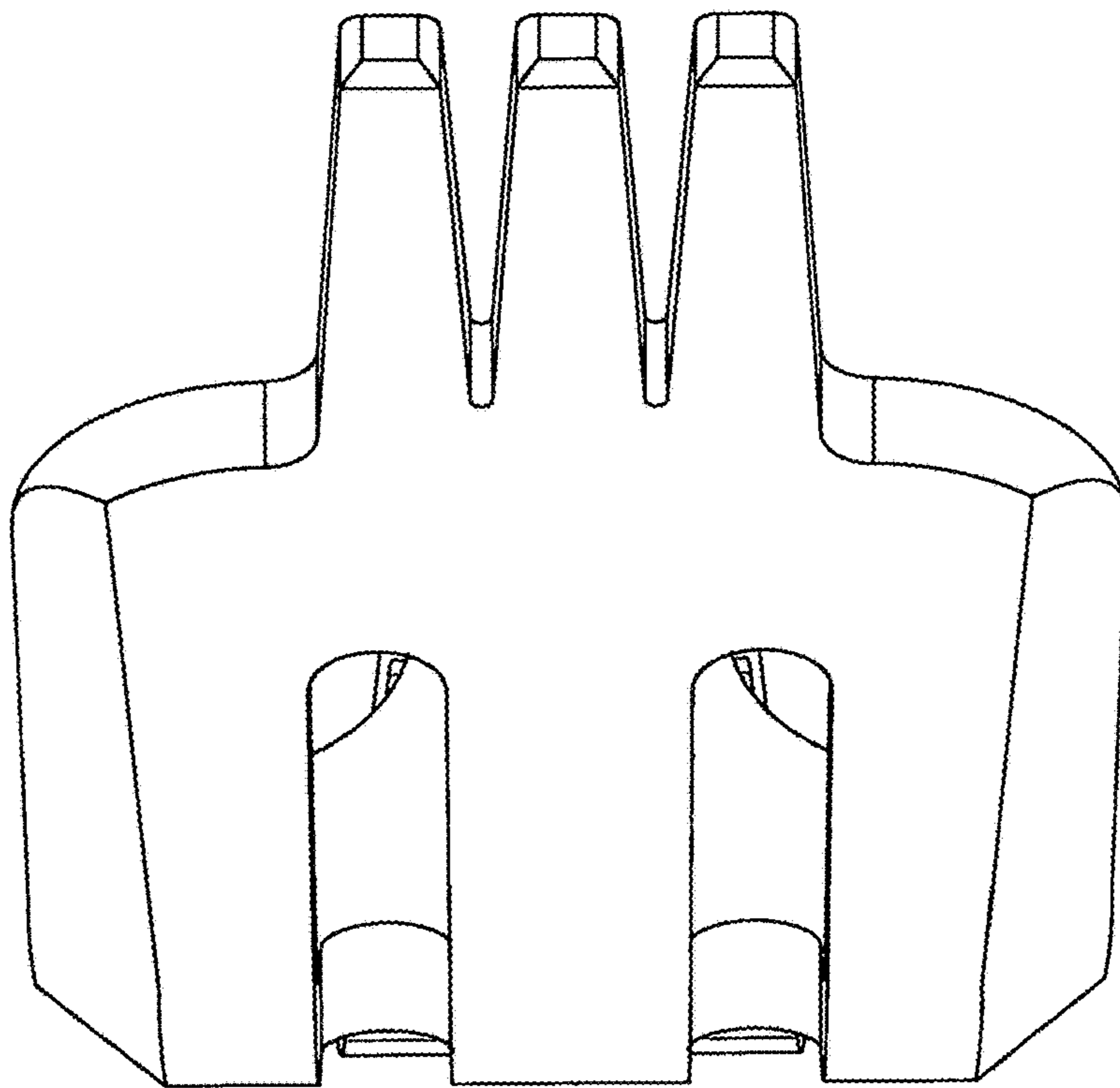


FIG. 5

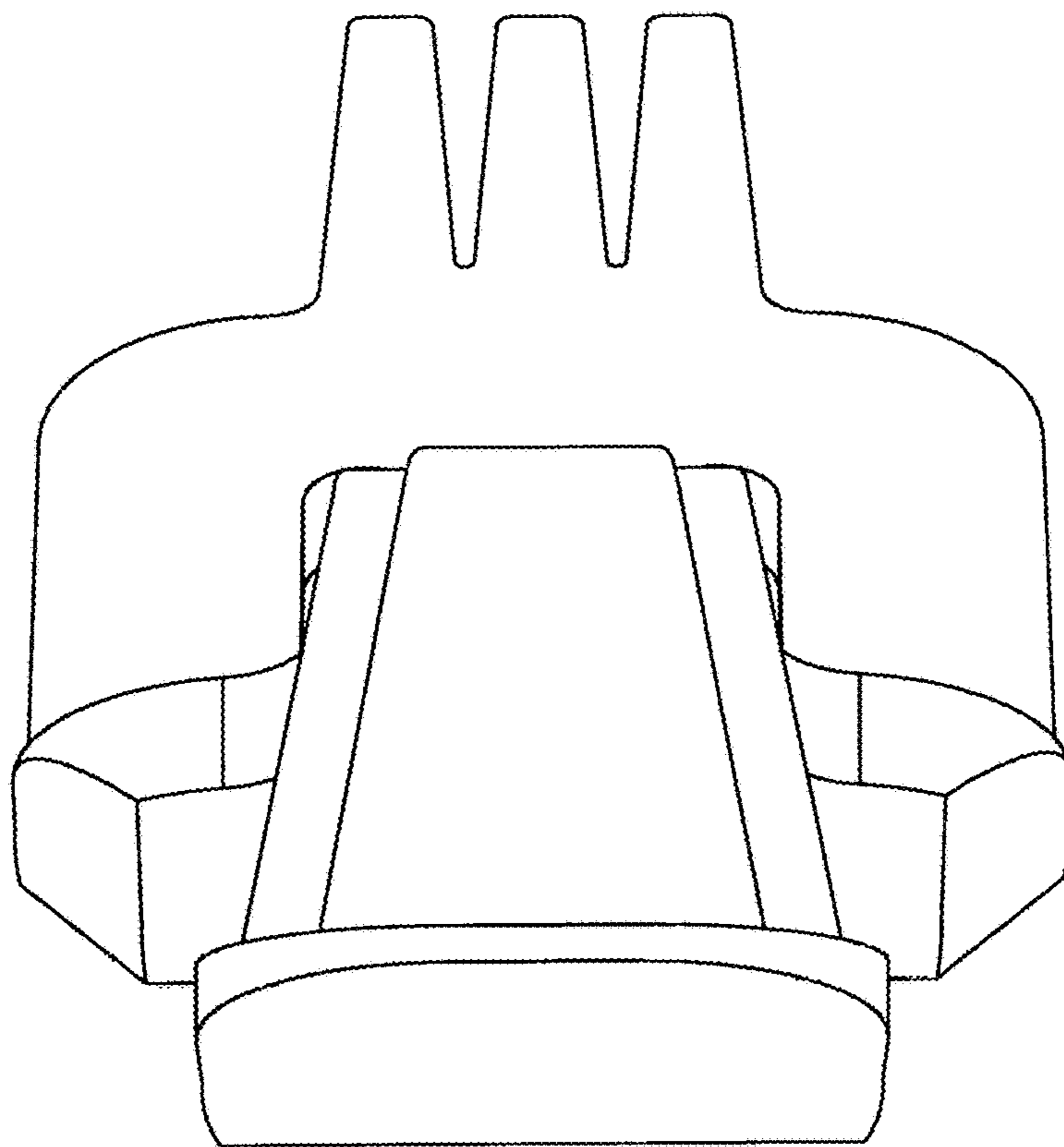


FIG. 6