



US00D834379S

(12) **United States Design Patent** (10) **Patent No.:** **US D834,379 S**
Truog et al. (45) **Date of Patent:** **** Nov. 27, 2018**

(54) **EATING UTENSIL ASSEMBLY INCLUDING CHOPSTICKS**

(71) Applicant: **SNAP OUT SOLUTIONS, LLC**, Lake Mary, FL (US)

(72) Inventors: **Kimberly A. Truog**, Lake Mary, FL (US); **Corbet A. Truog**, Lake Mary, FL (US)

(73) Assignee: **Snap Out Solutions, LLC**, Lake Mary, FL (US)

(**) Term: **15 Years**

(21) Appl. No.: **29/591,137**

(22) Filed: **Jan. 17, 2017**

(51) **LOC (11) Cl.** **07-03**

(52) **U.S. Cl.**
USPC **D7/643**

(58) **Field of Classification Search**

USPC D7/642-654, 662, 664, 666, 669, 672, D7/673, 676, 681-683, 687, 688, D7/691-697, 401, 401.1, 401.2, 655, 656, D7/657, 658, 659, 660, 661, 675, 677, D7/689, 368, 393, 394, 395, 505, 690; D8/107, 300, 301; D17/22; D22/117, D22/118, 119, 120; D24/147; 16/110.1, 16/407, 430; 30/1, 137, 141, 143, 144, 30/145, 146, 147, 148, 149, 150, 322, 30/323, 324, 325, 326, 327, 328, 329, 30/340, 342, 343, 344, 345; 126/389.1; 294/25, 26, 49, 55.5, 57
CPC A47G 21/02; A47G 21/06; A47G 21/08; A47G 21/04; A47G 21/00; A47G 21/004; A47G 21/005; A47G 21/023; A47G 21/103; B26B 11/00; B26B 29/025; A01D 9/02; A01D 9/04; A01D 9/06; A47J 27/0802; A47J 43/00; A47J 43/28; A47J 43/281; A47J 43/282; A47J 43/283; A47J 2043/04409; A61B 17/3211; A61F 13/10;

(Continued)

(56) **References Cited**

U.S. PATENT DOCUMENTS

33,285 A 9/1861 Ames
34,069 A 1/1862 Neill

(Continued)

FOREIGN PATENT DOCUMENTS

CA 159886 9/2015
CN 201551071 U 8/2010

(Continued)

OTHER PUBLICATIONS

“Klipo Cutlery Set,” available May 27, 2014, [online], [site visited Feb. 16, 2018]. Available from Internet, URL: <https://www.worldmarket.com/category/kitchen/kitchen-tools/cutlery.do> (Year: 2014).*

(Continued)

Primary Examiner — Cathron C Brooks

Assistant Examiner — Katrina N Gonzalez

(74) *Attorney, Agent, or Firm* — Allen, Dyer, Doppelt + Gilchrist, P.A.

(57) **CLAIM**

The ornamental design for an eating utensil assembly including chopsticks, as shown and described.

DESCRIPTION

FIG. 1 is a perspective view of an eating utensil assembly including chopsticks;

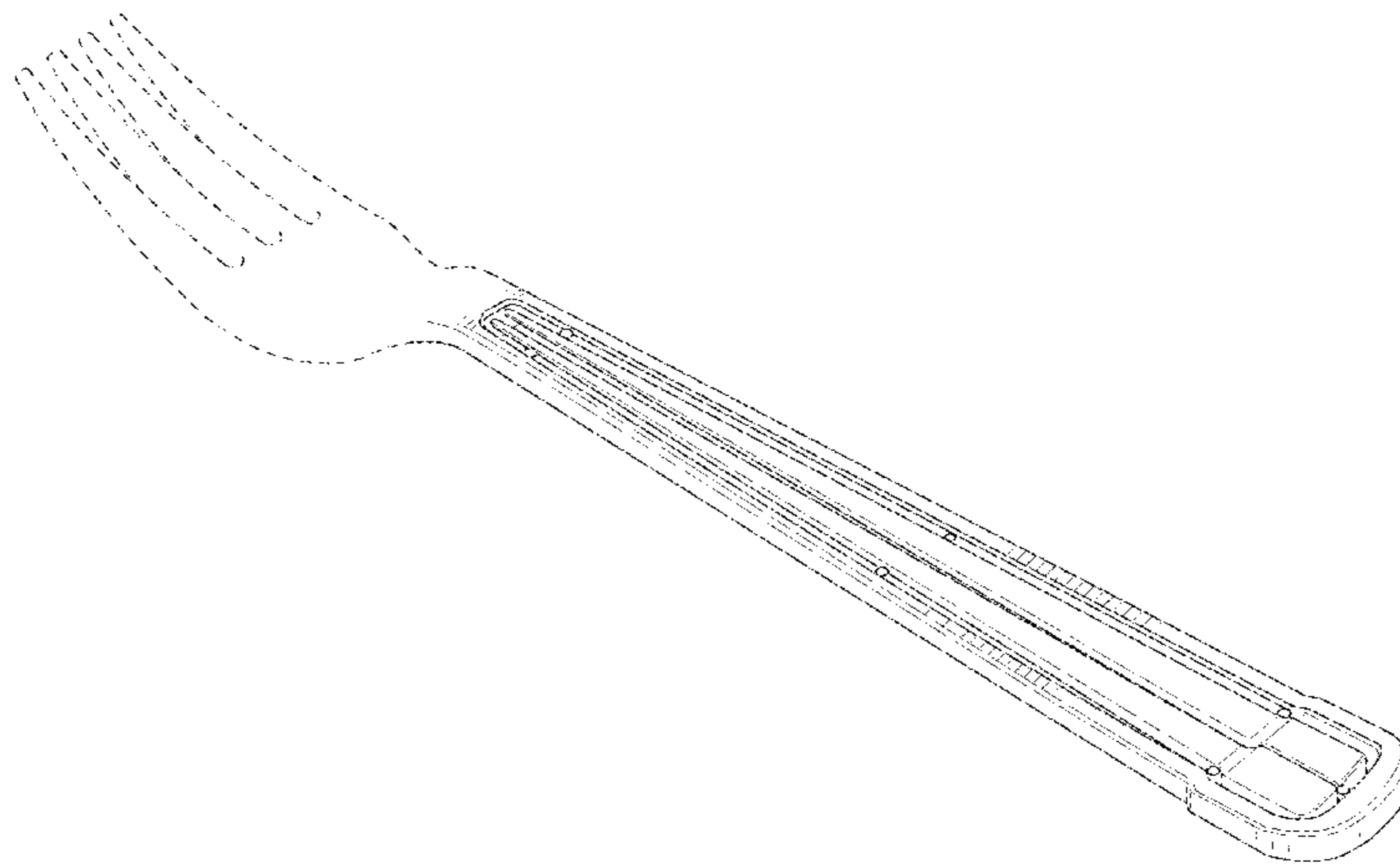
FIG. 2 is top view thereof;

FIG. 3 is a left-side view thereof; and,

FIG. 4 is a bottom view thereof.

The broken lines shown illustrate environmental structure and form no part of the claimed design.

1 Claim, 2 Drawing Sheets



- (58) **Field of Classification Search**
 CPC A61J 7/0023; B25G 1/00; B25G 1/01;
 B25G 1/02; B25G 3/00; B65D 75/56;
 B65D 75/563; B65D 75/566; B67B 7/00;
 B67B 7/724; B67B 7/73
 See application file for complete search history.

(56) **References Cited**

U.S. PATENT DOCUMENTS

62,640	A	3/1867	Lamson	
147,119	A	2/1874	Francis	
9,687	A	5/1881	Cox	
398,264	A	2/1889	Kisner	
904,553	A	11/1908	McCoy	
D53,165	S	4/1919	Janosik	
1,490,785	A	4/1924	Purnell	
1,606,039	A	11/1926	Norman	
1,607,864	A	11/1926	Butler	
2,185,942	A	1/1940	Frank	
2,318,129	A	5/1943	Torode	
2,545,121	A	3/1951	Szopa	
2,877,547	A	3/1959	Feaster	
D197,294	S *	1/1964	Thomas	416/70 R
3,136,416	A	6/1964	Goldrosen	
3,252,489	A	5/1966	Huston et al.	
3,664,020	A *	5/1972	Hammond	A47G 21/02 132/323
3,783,883	A	1/1974	Alexander	
D242,760	S *	12/1976	Jensen	D7/642
4,030,194	A	6/1977	Hendricks	
D245,472	S *	8/1977	Jensen	D7/642
D249,926	S	10/1978	Wong	
D284,442	S *	7/1986	Chan	D7/645
4,922,611	A	5/1990	Levy	
5,373,640	A *	12/1994	Cordeiro, Jr.	A47G 21/023 294/99.2
5,701,675	A	12/1997	Hall et al.	
D391,123	S	2/1998	Rey et al.	
5,845,403	A	12/1998	Nivin	
6,003,710	A	12/1999	Huang	
6,371,324	B1	4/2002	Torniainen et al.	
D530,986	S *	10/2006	Lago-Arenas	D7/645
D535,857	S	1/2007	Bristow	
D539,615	S *	4/2007	Weaver	D7/643
D607,285	S	1/2010	Julow	
D608,602	S	1/2010	Davies et al.	
D609,060	S	2/2010	Pallotto	
D610,747	S	2/2010	Brownell	
D625,153	S *	10/2010	Gallop	D7/642
7,878,563	B2 *	2/2011	Beckham	A47G 21/103 294/218
D634,577	S *	3/2011	Oakes	D7/401.2
D634,974	S *	3/2011	Oakes	D7/401.2
D644,071	S	8/2011	Vanguard	
D659,486	S *	5/2012	Williams	D7/642
D665,630	S	8/2012	Vasavada	

D671,801	S *	12/2012	He	D7/401.2
D705,604	S *	5/2014	Ng	D7/401.2
D717,111	S *	11/2014	Wang	D7/401.2
D717,112	S *	11/2014	Wang	D7/401.2
D719,789	S	12/2014	Truog et al.	
D728,307	S *	5/2015	Shane-Schuldt	D7/401.2
D730,701	S *	6/2015	Ng	D7/642
D743,752	S	11/2015	Truog et al.	
D746,645	S *	1/2016	Truog	D7/643
D775,498	S *	1/2017	Gallop	D7/401.2
D775,905	S *	1/2017	Wang	D7/401.2
D777,532	S *	1/2017	Wang	D7/401.2
9,549,626	B2 *	1/2017	Truog	B25F 1/00
D778,689	S *	2/2017	Grewal	D7/642
D795,656	S *	8/2017	McFarland	D7/401.2
D801,114	S *	10/2017	Cohen	D7/401.2
D802,377	S *	11/2017	Isopahkala	D7/649
D805,347	S *	12/2017	Hundley	D7/395
2007/0033809	A1	2/2007	Shirazi	
2008/0000092	A1 *	1/2008	Vanguard	A47G 21/02 30/147
2011/0035946	A1	2/2011	Menceles	
2011/0146082	A1	6/2011	Hassanpour et al.	
2012/0103356	A1	5/2012	Crisp	
2012/0222311	A1 *	9/2012	Wang	A47G 21/02 30/123
2013/0232793	A1	9/2013	Fazal	
2015/0035301	A1	2/2015	Aghamalian	
2015/0150396	A1	4/2015	Truog et al.	

FOREIGN PATENT DOCUMENTS

CN	202504912	U	10/2012
CN	202959903	U	6/2013
CN	203106623	U	8/2013
CN	103385638	A	11/2013
DE	29710423	U1	8/1997
DE	102009030050	A1	3/2011
EP	0257109	A1	3/1988
FR	461928	A	1/1914
FR	624152	A	7/1927
JP	2006296868	A	11/2006
KR	2019940005199	Y1	8/1994
KR	2020080001177	U	5/2008
KR	2020080001295	U	5/2008
WO	2011139353	A1	11/2011

OTHER PUBLICATIONS

“Snap Out of It Cutlery,” available Feb. 16, 2018 [online], [site visited Feb. 16, 2018]. Available from Internet, URL:<http://www.snapcutlery.com/products> (Year: 2018).*

“Fork and Knife Chopsticks,” available Mar. 23, 2018, [online], [site visited Mar. 23, 2018]. Available from Internet, URL:<https://www.worldmarket.com/category/kitchen/kitchen-tools/cutlery.do> (Year: 2018).*

* cited by examiner

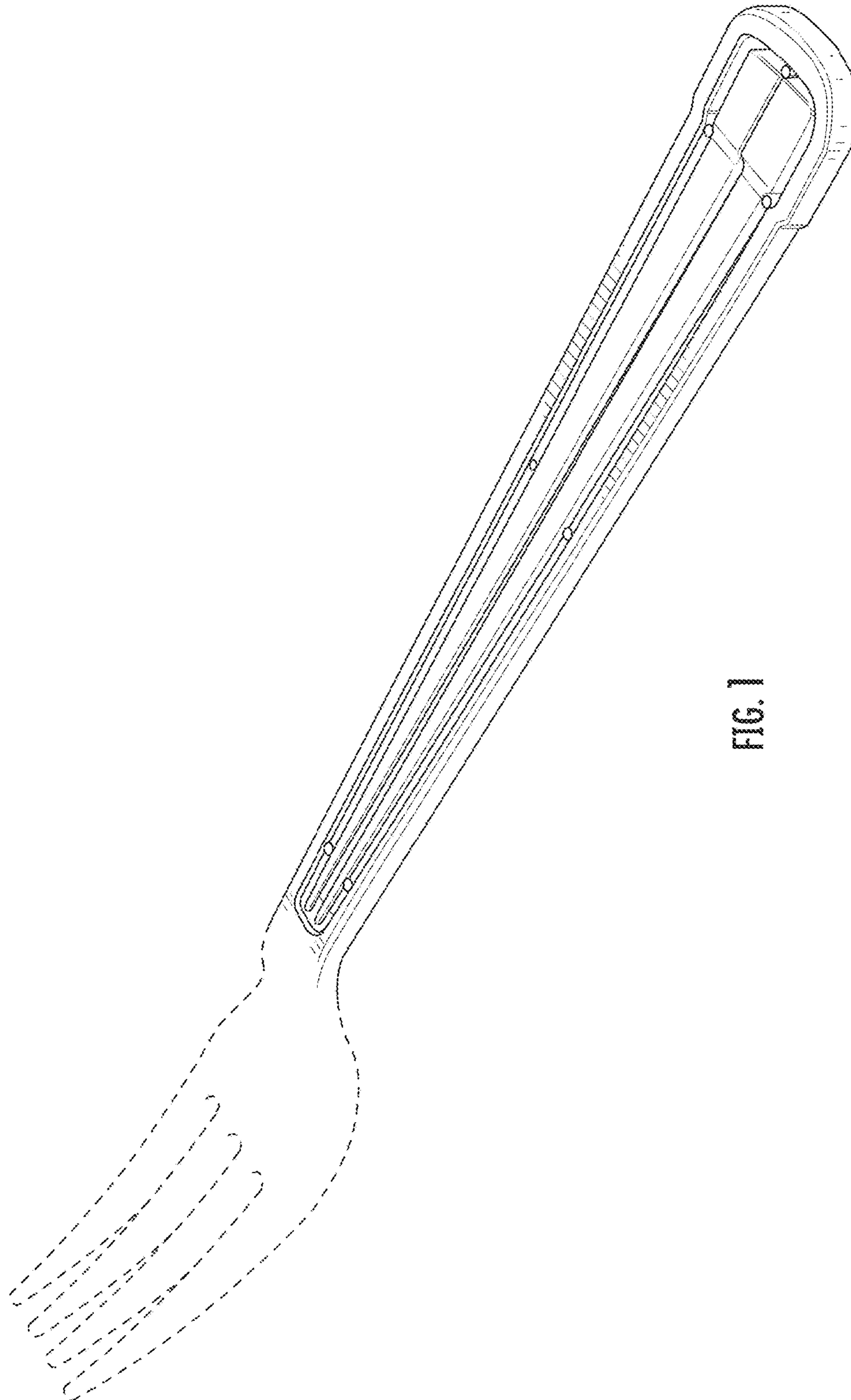


FIG. 1

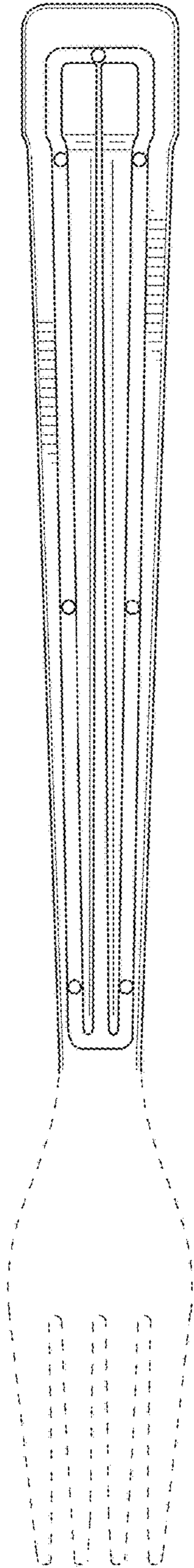


FIG. 2

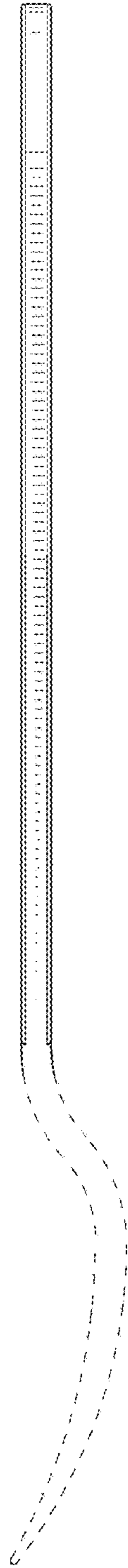


FIG. 3

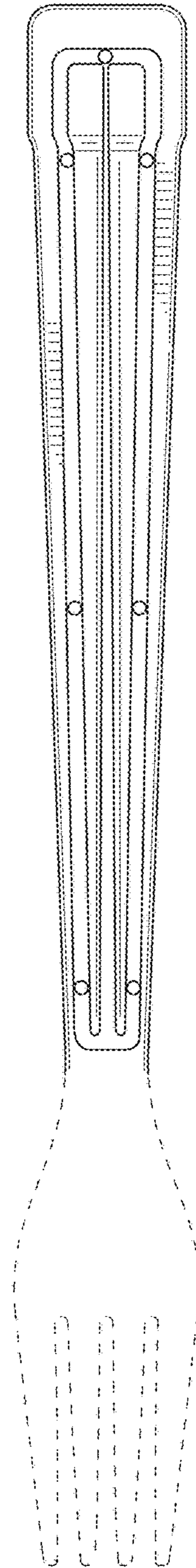


FIG. 4