



US00D834377S

(12) **United States Design Patent** (10) **Patent No.:** **US D834,377 S**
Zoske et al. (45) **Date of Patent:** **** Nov. 27, 2018**

(54) **CONTAINER WITH LID**
(71) Applicant: **Saltworks, Inc.**, Woodinville, WA (US)
(72) Inventors: **Mark Zoske**, Snohomish, WA (US);
Colin McLane, Snohomish, WA (US)
(73) Assignee: **Saltworks, Inc.**, Woodinville, WA (US)
(**) Term: **15 Years**

D443,081 S 5/2001 Klett et al.
D505,839 S 6/2005 Stanos et al.
D505,840 S 6/2005 Schultz et al.
D556,517 S 12/2007 Lown et al.
D577,292 S 9/2008 Moretti
D598,297 S 8/2009 Rica
D604,174 S 11/2009 Rica
D604,175 S 11/2009 Rica
D604,630 S 11/2009 Canamasas Puigbo
D616,262 S 5/2010 Lundstrom
D618,516 S 6/2010 DiPietro et al.
D635,031 S 3/2011 Themann

(Continued)

(21) Appl. No.: **29/588,338**
(22) Filed: **Dec. 20, 2016**
(51) **LOC (11) Cl.** **07-07**
(52) **U.S. Cl.**
USPC **D7/629**
(58) **Field of Classification Search**
USPC D7/629, 602, 538-542, 601; D9/761,
D9/414, 432, 642, 721, 734; 206/557,
206/558, 562, 563, 216, 223, 541;
220/4.21, 4.24, 236, 260, 288, 326, 573.1,
220/574-575, 660, 669-673, 675,
220/780-786, 787-795, 806; D3/273;
D6/667; D21/394; D28/83
CPC B65D 2543/00296; B65D 43/02; B65D
2543/00101; B65D 2543/00194; B65D
43/16; B65D 45/00; B65D 1/22; B65D
2203/00; B65D 2543/00592; A45C 11/20
See application file for complete search history.

Primary Examiner — Wan Laymon
Assistant Examiner — Mark Booker
(74) *Attorney, Agent, or Firm* — Hanrahan Law Firm,
P.A.; Benjamin M. Hanrahan

(57) **CLAIM**

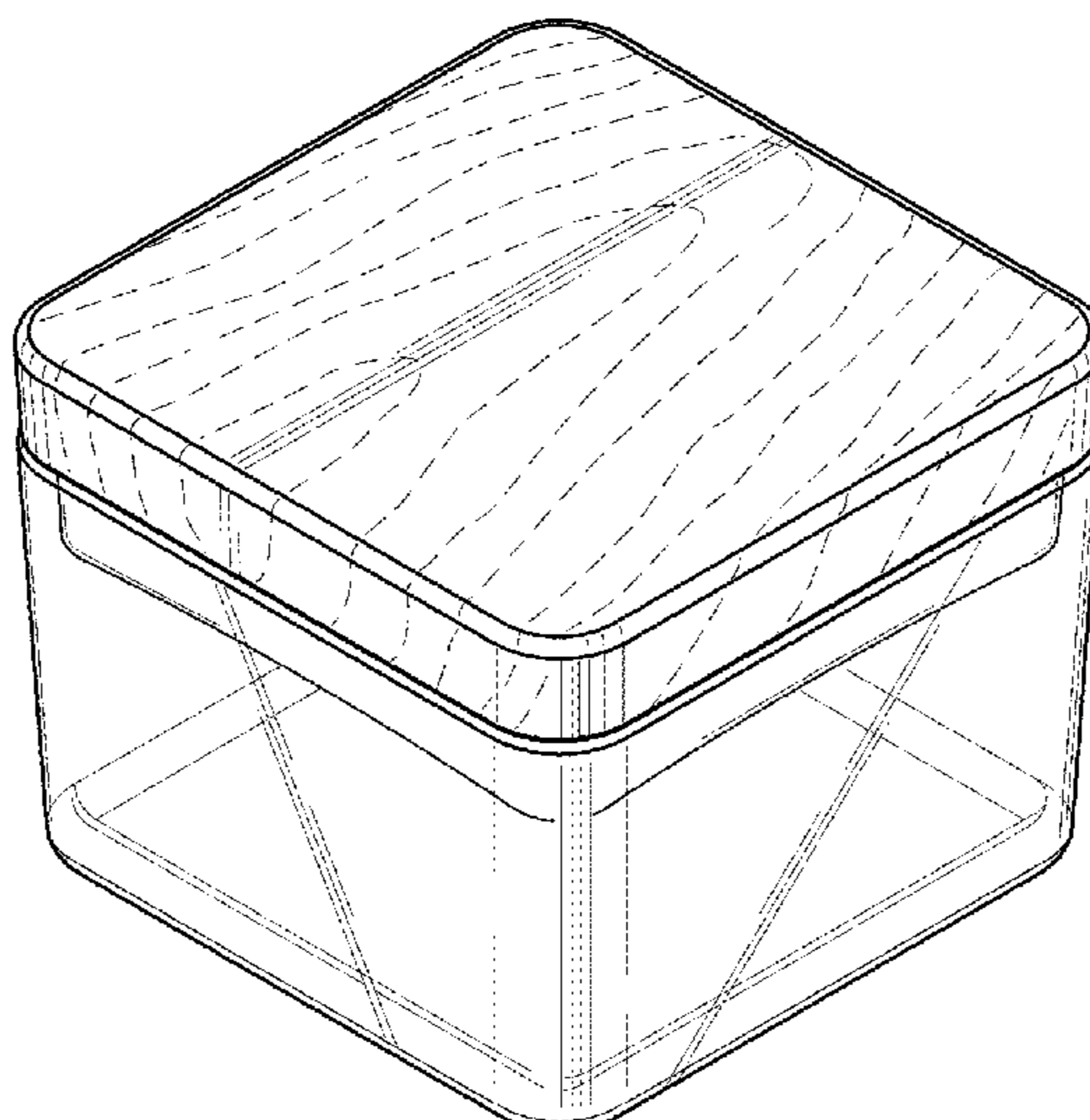
The ornamental design for a container with lid, as shown and described.

DESCRIPTION

FIG. 1 is a perspective view illustrating our design for a container with lid.
FIG. 2 is a front view thereof.
FIG. 3 is a right side view thereof.
FIG. 4 is a rear view thereof.
FIG. 5 is a left side view thereof.
FIG. 6 is a bottom view thereof.
FIG. 7 is a top view thereof; and,
FIG. 8 is an exploded perspective view, with the lid removed from the base.
The woodgrain lines throughout the lid in FIGS. 1, 2, 3, 4, 5, 7 and 8 are simulative of a woodgrain pattern (whether an actual woodgrain or a simulated woodgrain) and do not represent a particular woodgrain pattern. The broken lines in the drawings, including the lines that are simulative of the woodgrain pattern, illustrate portions of the article that form no part of the claimed design.

(56) **References Cited**
U.S. PATENT DOCUMENTS
D44,762 S 10/1913 Haley
D145,212 S 7/1946 Havens
D150,045 S * 6/1948 Zaikaner D7/629
D159,811 S * 8/1950 Name Not Available D7/629
D279,251 S * 6/1985 Daenen D7/614
D303,086 S 8/1989 Rothfos
D362,180 S 9/1995 Haines
D387,982 S * 12/1997 Kaplan D9/418

1 Claim, 5 Drawing Sheets



(56)

References Cited

U.S. PATENT DOCUMENTS

| | | | | |
|------------|---|---------|-----------------|--------|
| D696,558 S | * | 12/2013 | Song | D7/629 |
| D702,509 S | * | 4/2014 | Segal | D7/629 |
| D734,550 S | * | 7/2015 | Schlatter | D28/83 |
| D750,423 S | | 3/2016 | Shirley et al. | |
| D763,684 S | | 8/2016 | O'Neill | |
| D766,093 S | | 9/2016 | Otani | |
| D790,335 S | * | 6/2017 | Honings | D9/424 |

* cited by examiner

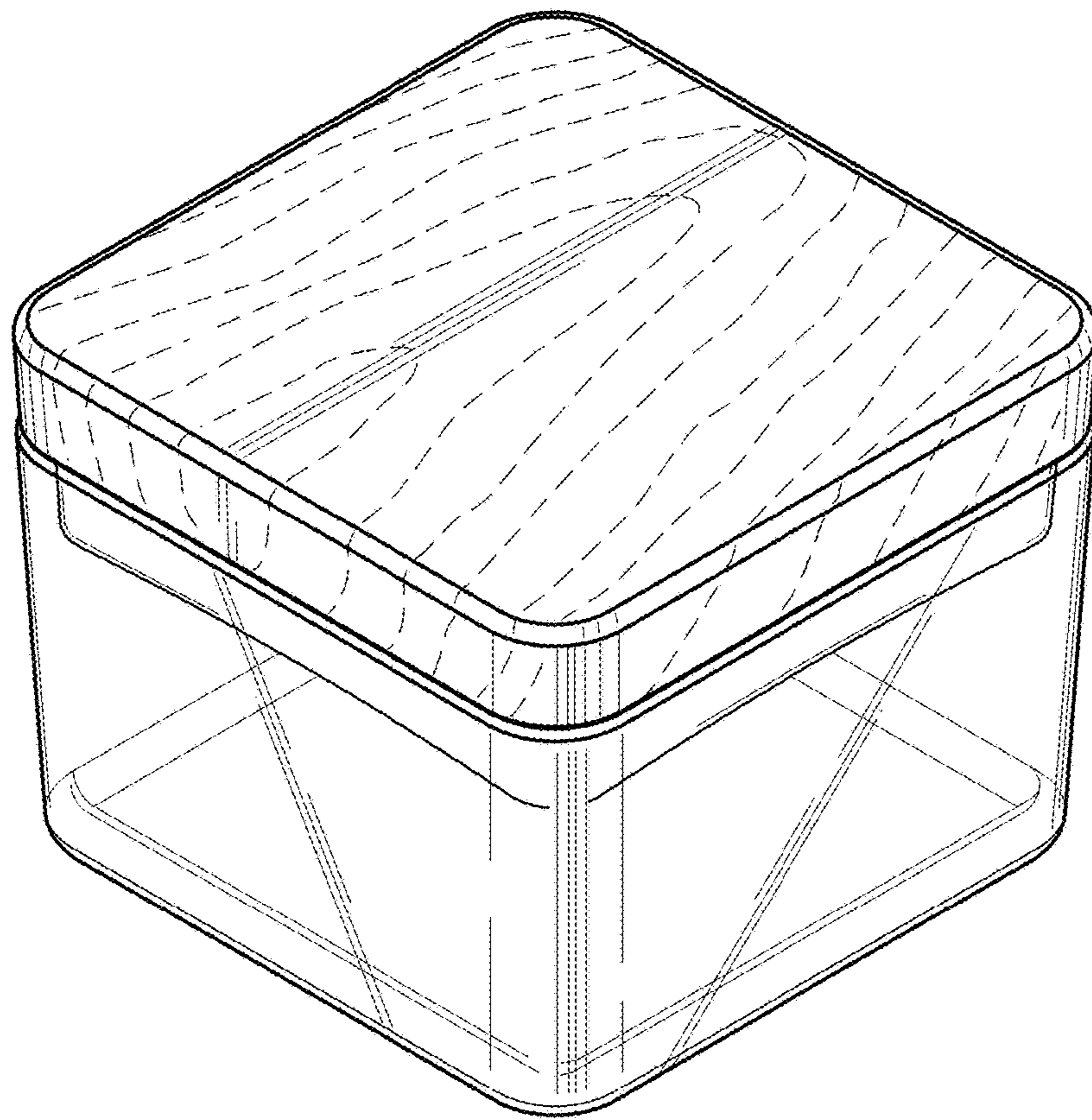


FIG. 1

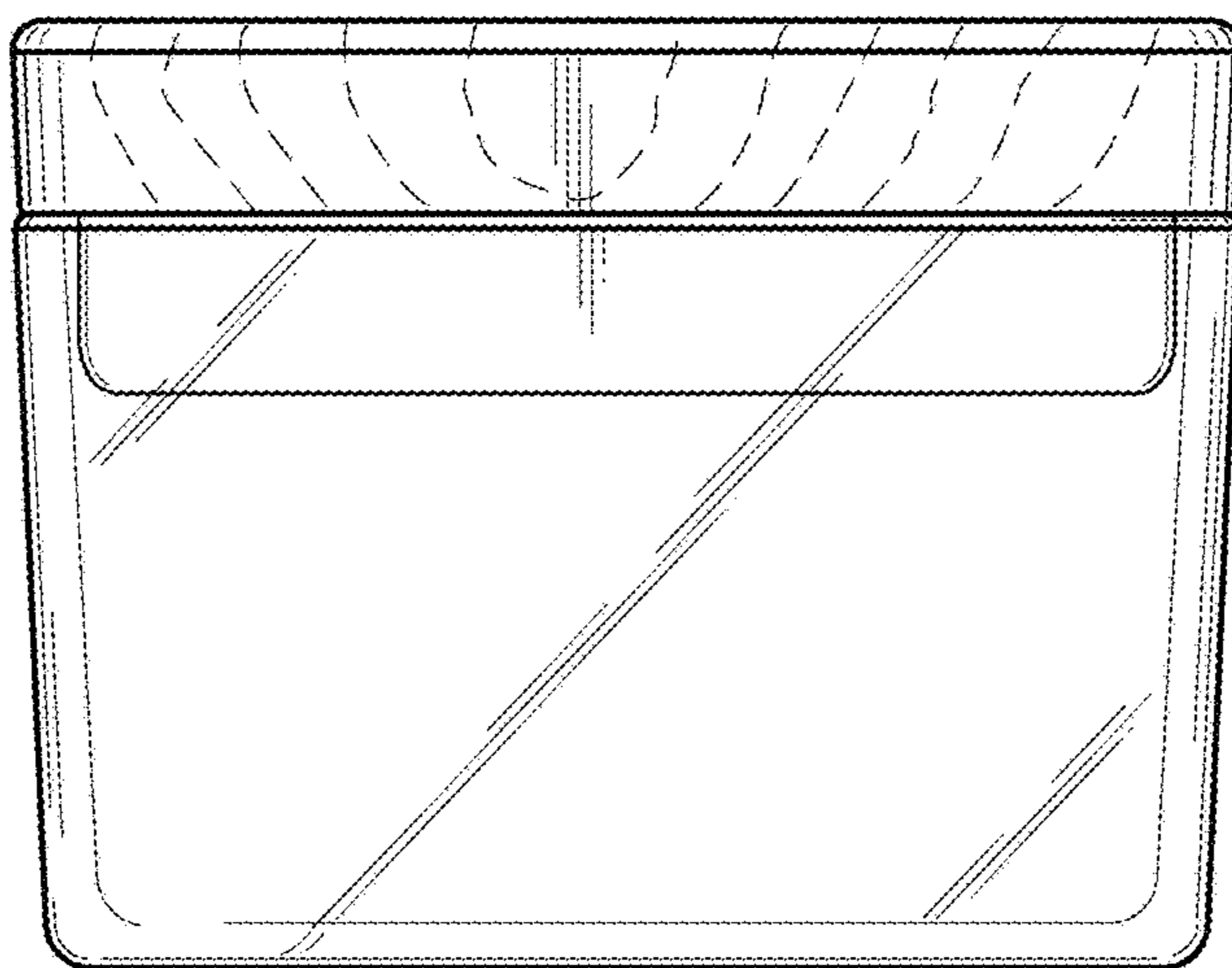


FIG. 2

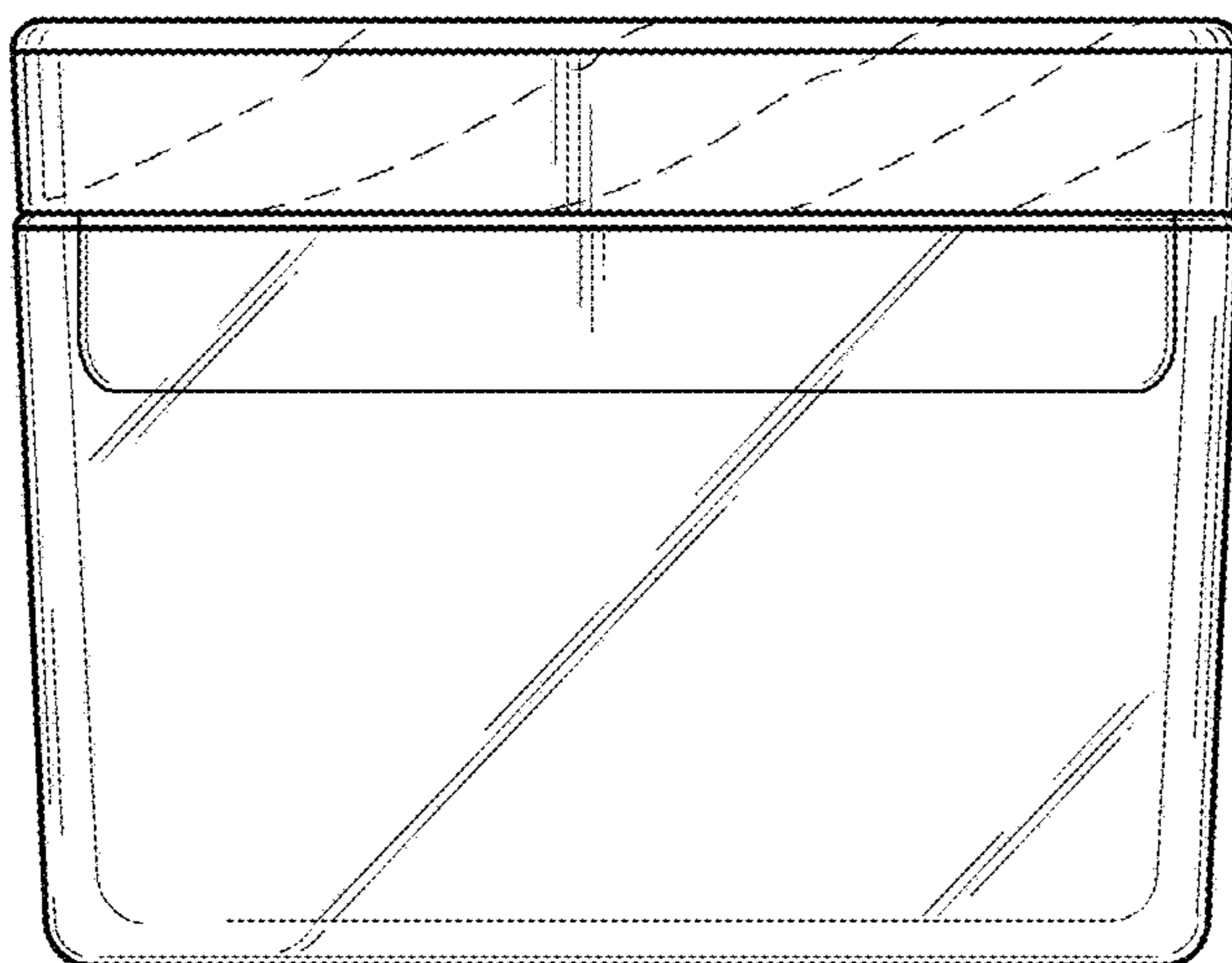


FIG. 3

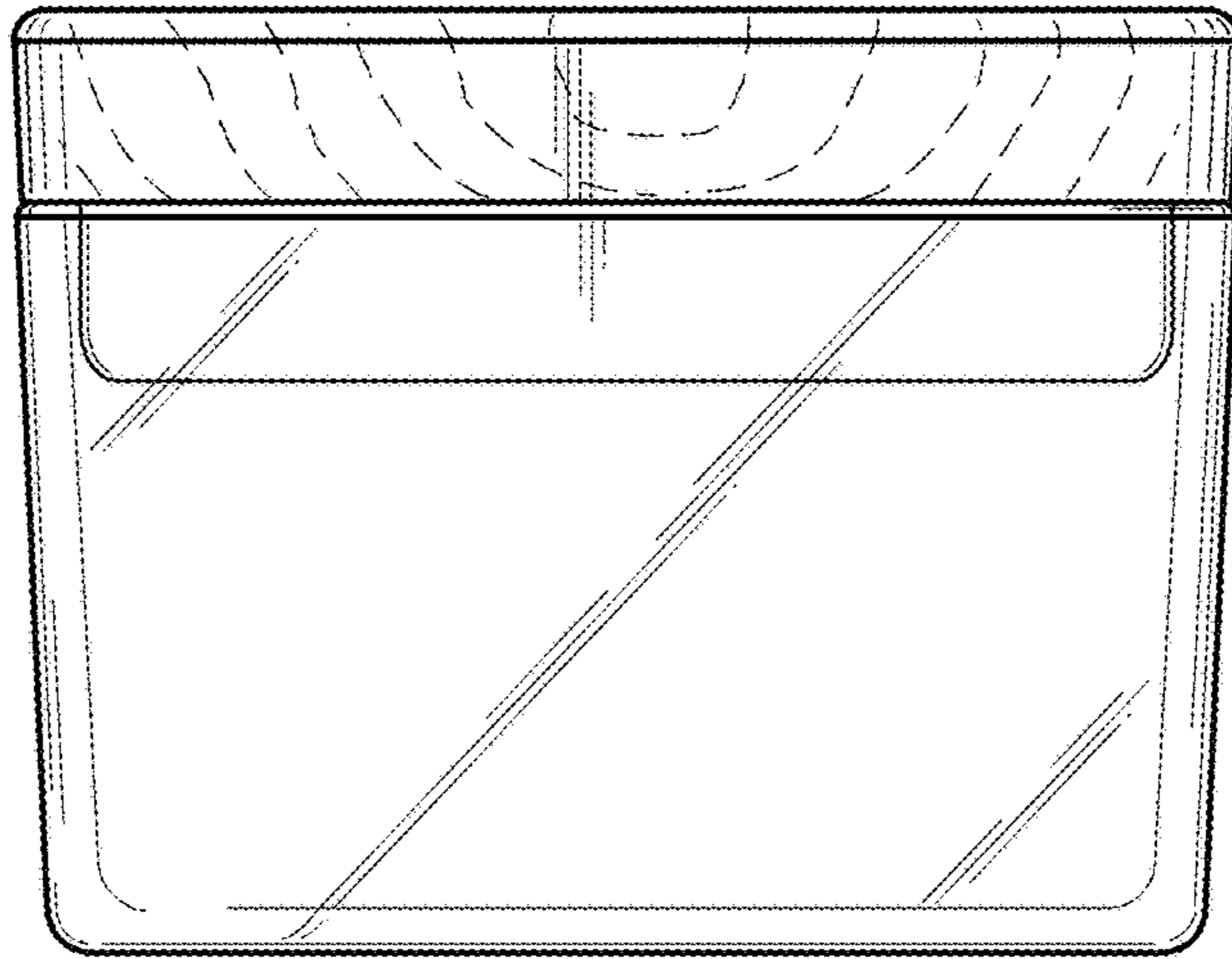


FIG. 4

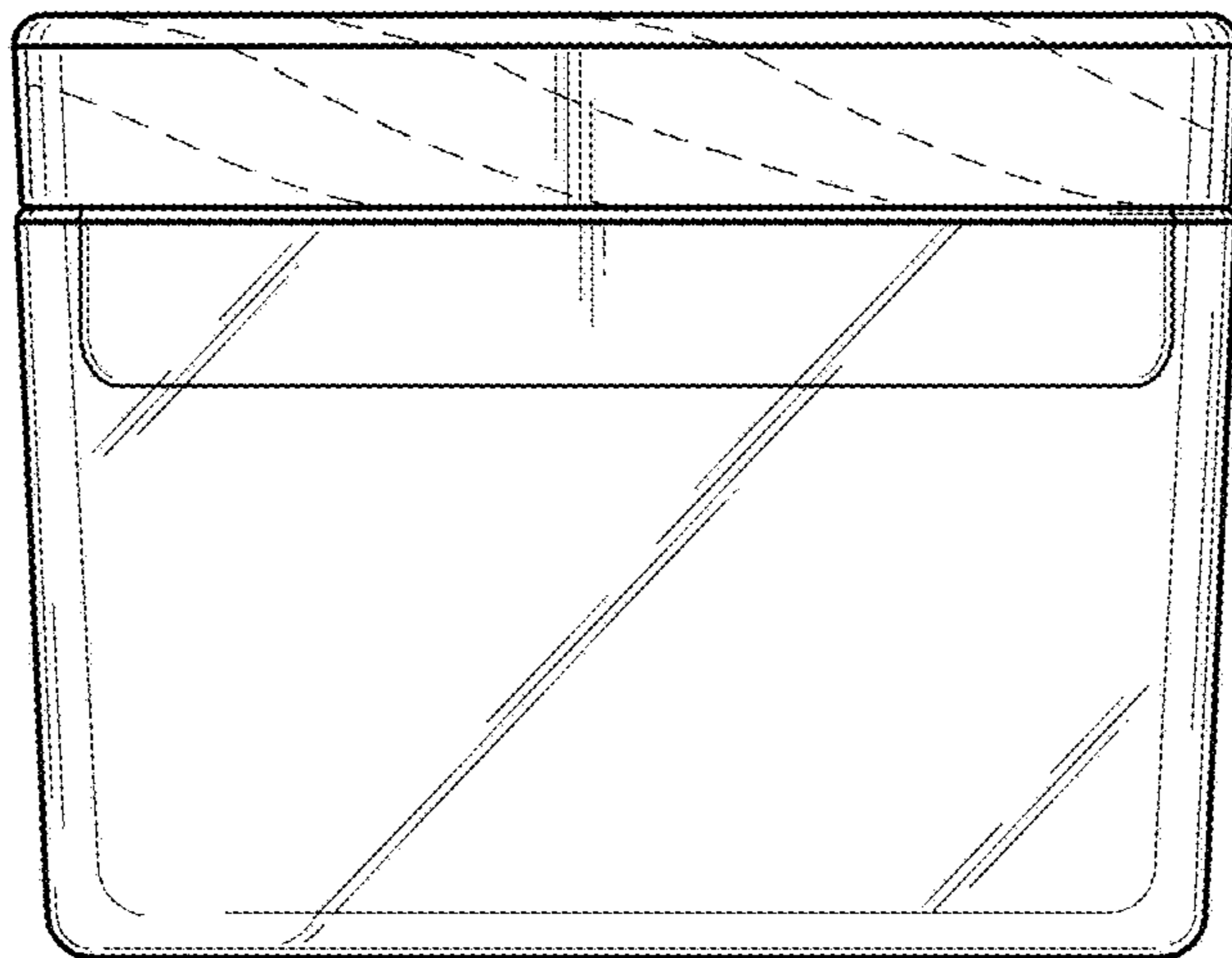


FIG. 5

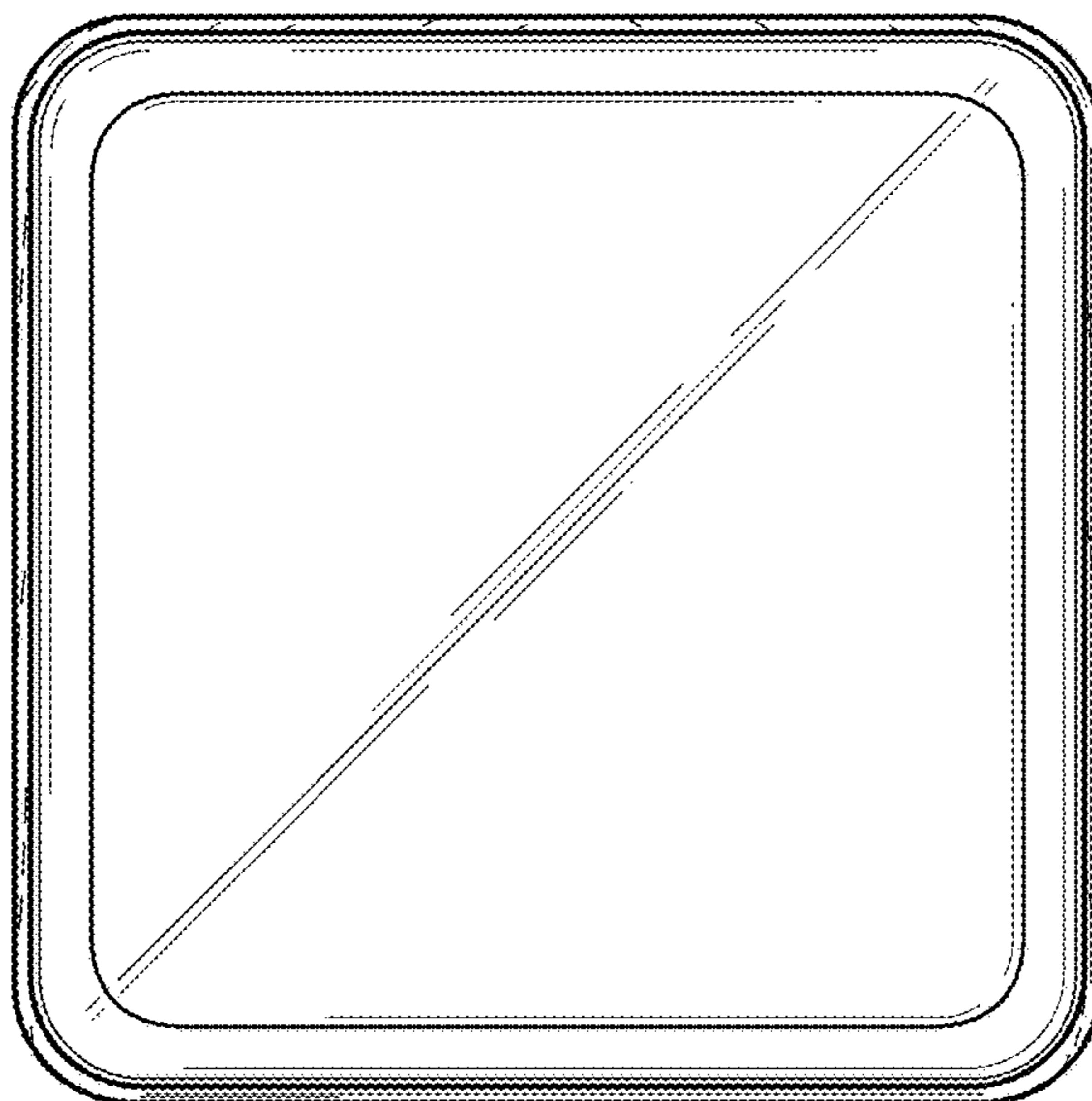


FIG. 6

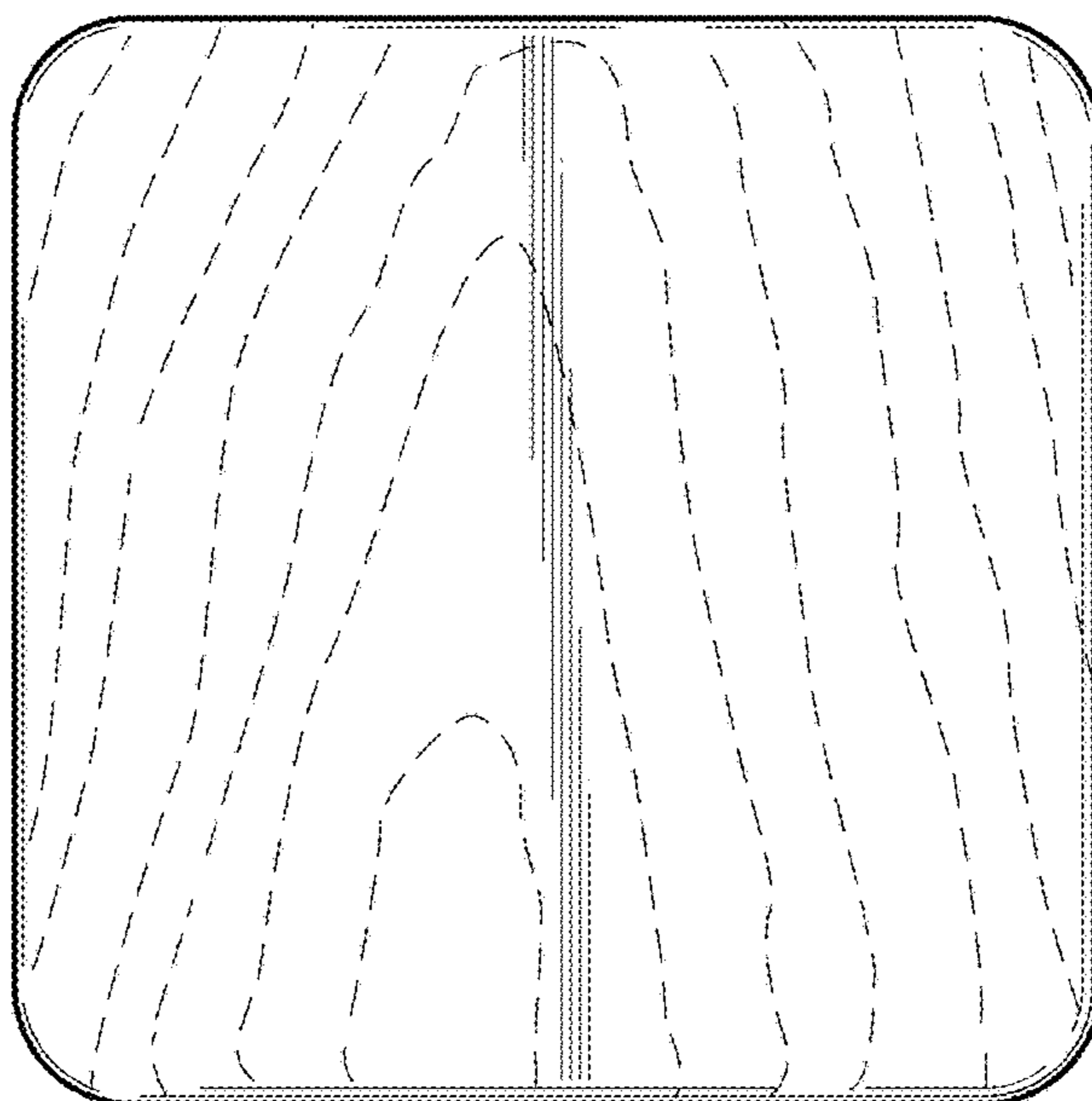


FIG. 7

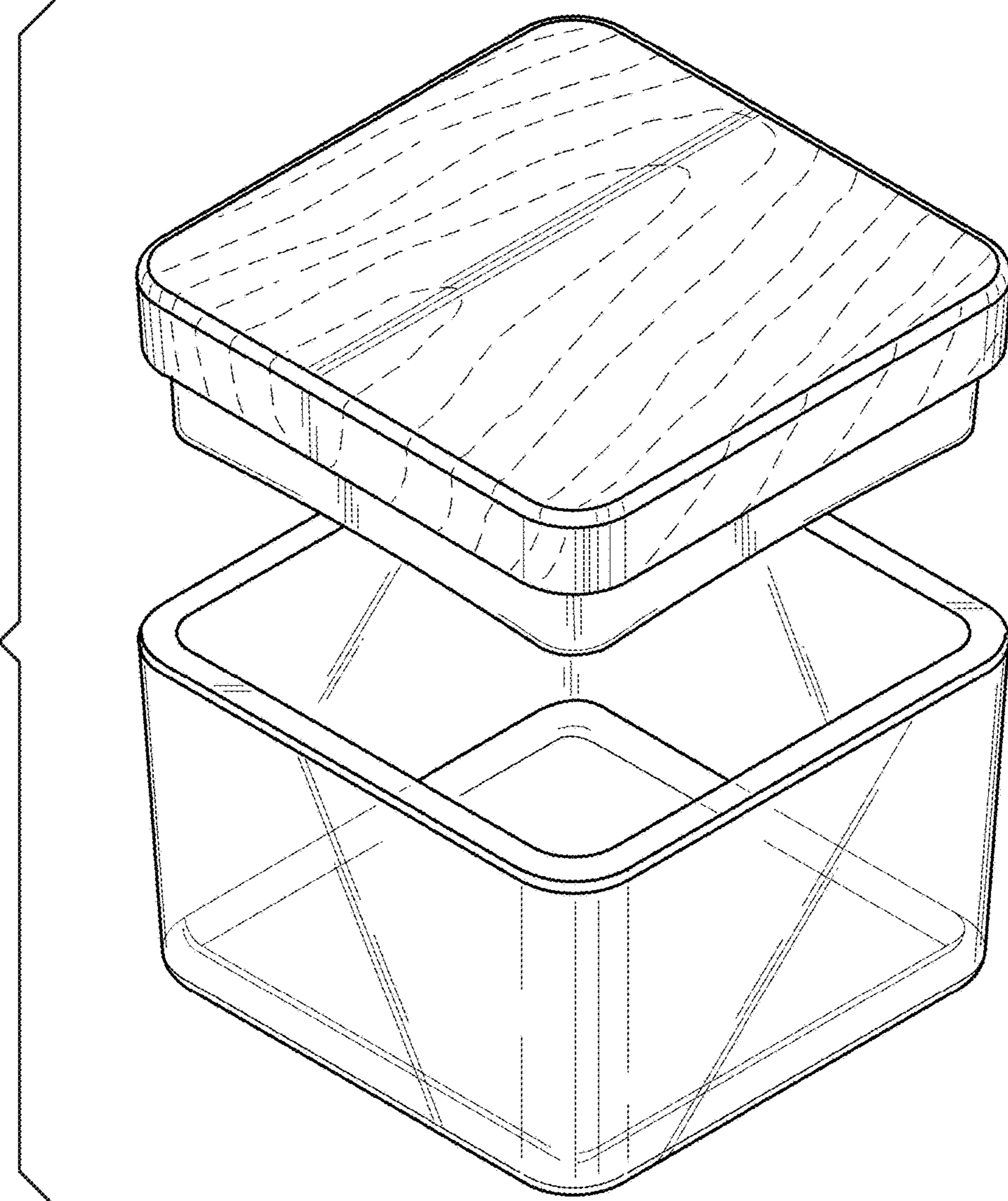


FIG. 8