

US00D834375S

(12) **United States Design Patent**  
**Garipalli et al.**

(10) **Patent No.:** **US D834,375 S**

(45) **Date of Patent:** **\*\* Nov. 27, 2018**

(54) **TWO PIECE BEVERAGE CONTAINER**

(71) Applicant: **LLV Designs, LLC**, Colts Neck, NJ (US)

(72) Inventors: **Vivek Garipalli**, New York, NY (US);  
**Leslie Dewees**, New York, NY (US);  
**Lauren Toczykowski**, White Plains, NY (US)

(73) Assignee: **LLV Designs, LLC**, Colts Neck, NJ (US)

(\*\*) Term: **15 Years**

(21) Appl. No.: **29/603,877**

(22) Filed: **May 12, 2017**

**Related U.S. Application Data**

(63) Continuation of application No. 13/896,958, filed on May 17, 2013.

(51) **LOC (11) Cl.** ..... **07-01**

(52) **U.S. Cl.**  
USPC ..... **D7/528; D7/524**

(58) **Field of Classification Search**  
USPC ..... D7/507, 509, 510, 511, 523, 570, 529,  
D7/524, 537, 526, 528, 532, 393, 213;  
220/592.16, 592.17

CPC ..... A47G 19/2205; A47G 19/2227; A47G 19/22; A45F 3/20

See application file for complete search history.

(56) **References Cited**

**U.S. PATENT DOCUMENTS**

4,872,569 A 10/1989 Bolte  
5,014,865 A 5/1991 Sauber

5,842,590 A	12/1998	Gordon et al.	
5,996,825 A	12/1999	Gordon et al.	
6,640,989 B2	11/2003	Matsui	
7,861,888 B2	1/2011	Niedzwiecki	
D713,205 S *	9/2014	Katterheinrich	D7/523
8,829,824 B2 *	9/2014	Scott	A47G 19/2255 315/377
D783,364 S *	4/2017	Habraken	D7/524
D789,746 S *	6/2017	Wei	D7/507
D808,217 S *	1/2018	Cates	D7/507
D812,431 S *	3/2018	Carvin	D7/528
D815,913 S *	4/2018	McLaughlin	D7/523
2013/0334166 A1 *	12/2013	Garipalli	A47G 19/2205 215/377
2014/0054304 A1 *	2/2014	Hu	A47G 19/2255 220/630

\* cited by examiner

*Primary Examiner* — Marianne Pandozzi

*Assistant Examiner* — Jae Liang

(74) *Attorney, Agent, or Firm* — Duane Morris LLP

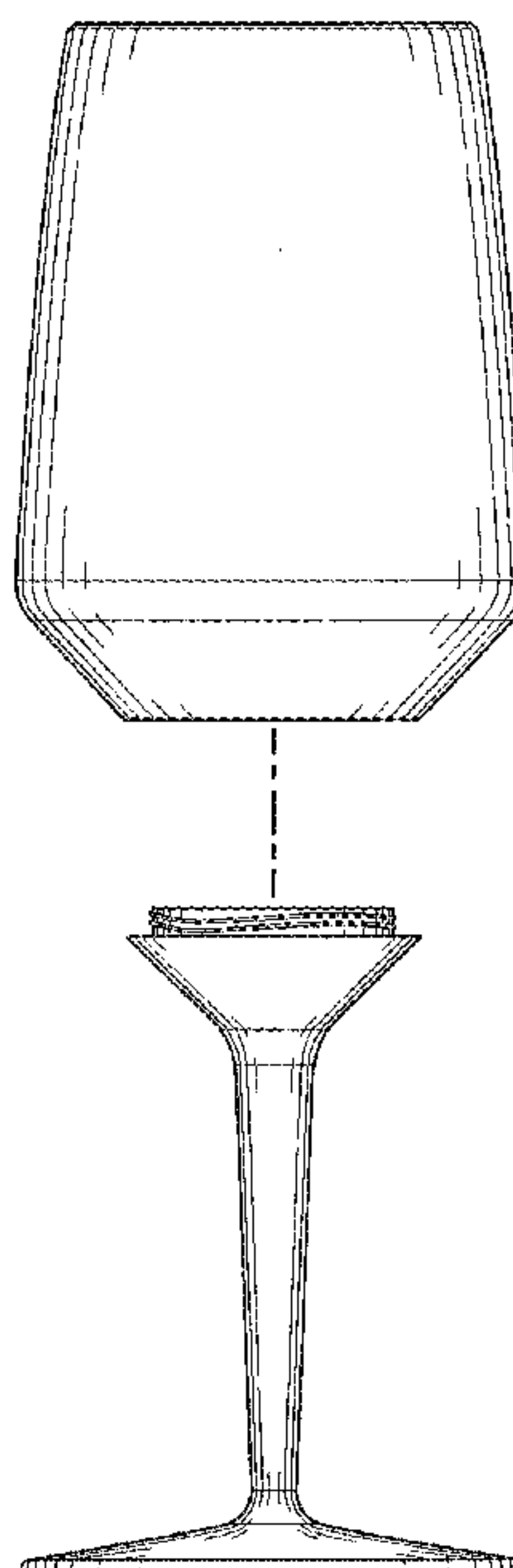
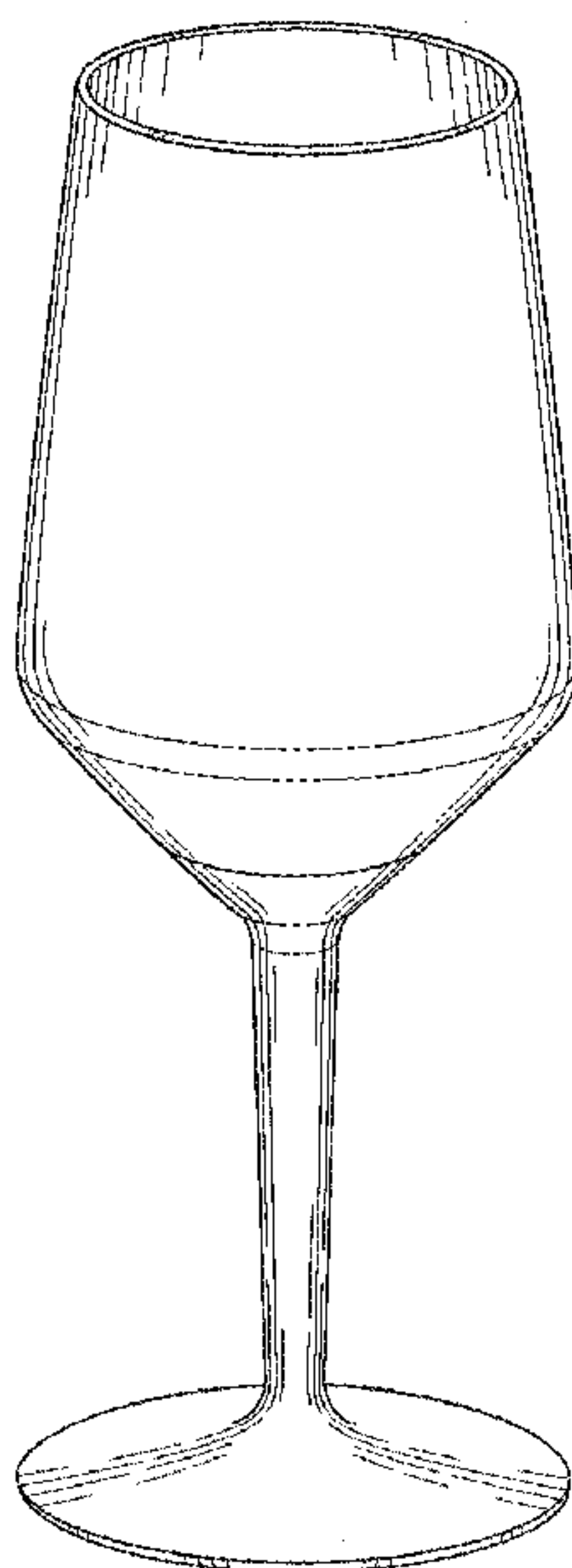
(57) **CLAIM**

The ornamental design for a two piece beverage container, as shown and described.

**DESCRIPTION**

FIG. 1 is a perspective view of a two piece beverage container showing my new design; FIG. 2 is a side elevational view of the design of FIG. 1; FIG. 3 is a top plan view of FIG. 1; FIG. 4 is a bottom view of the design of FIG. 1; and, FIG. 5 is an exploded side elevational view of the design of FIG. 1.

**1 Claim, 4 Drawing Sheets**



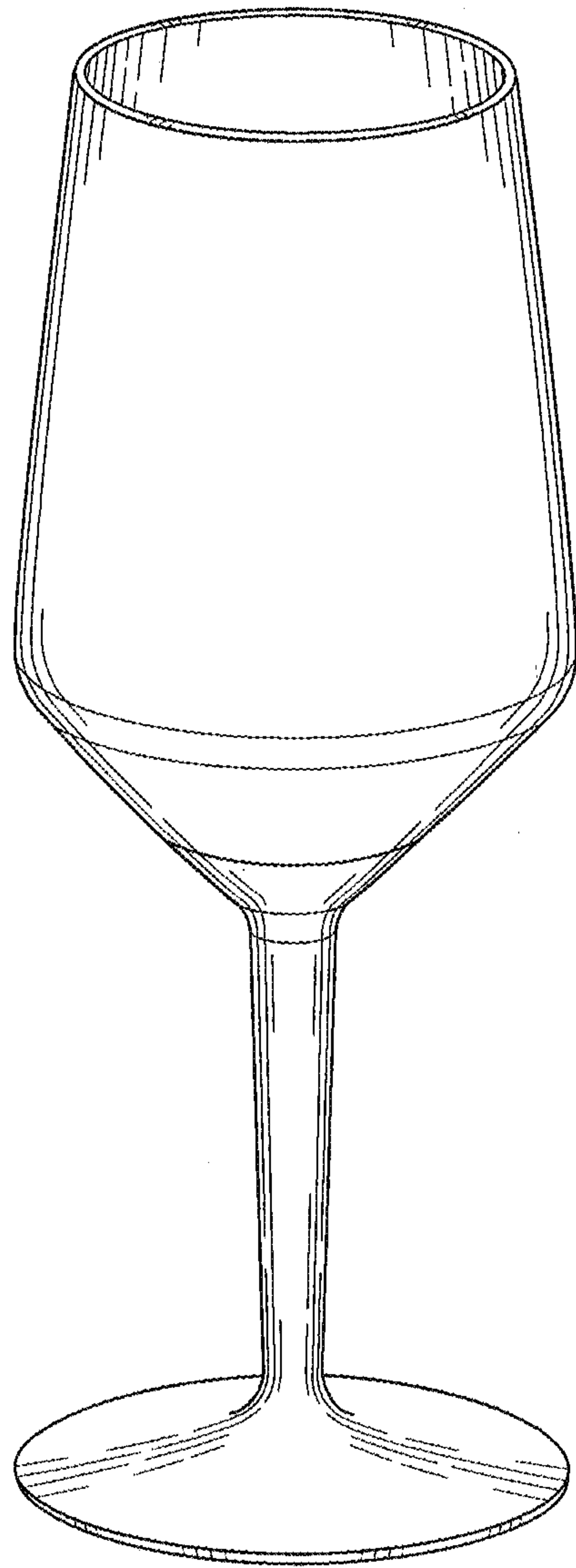


FIG. 1

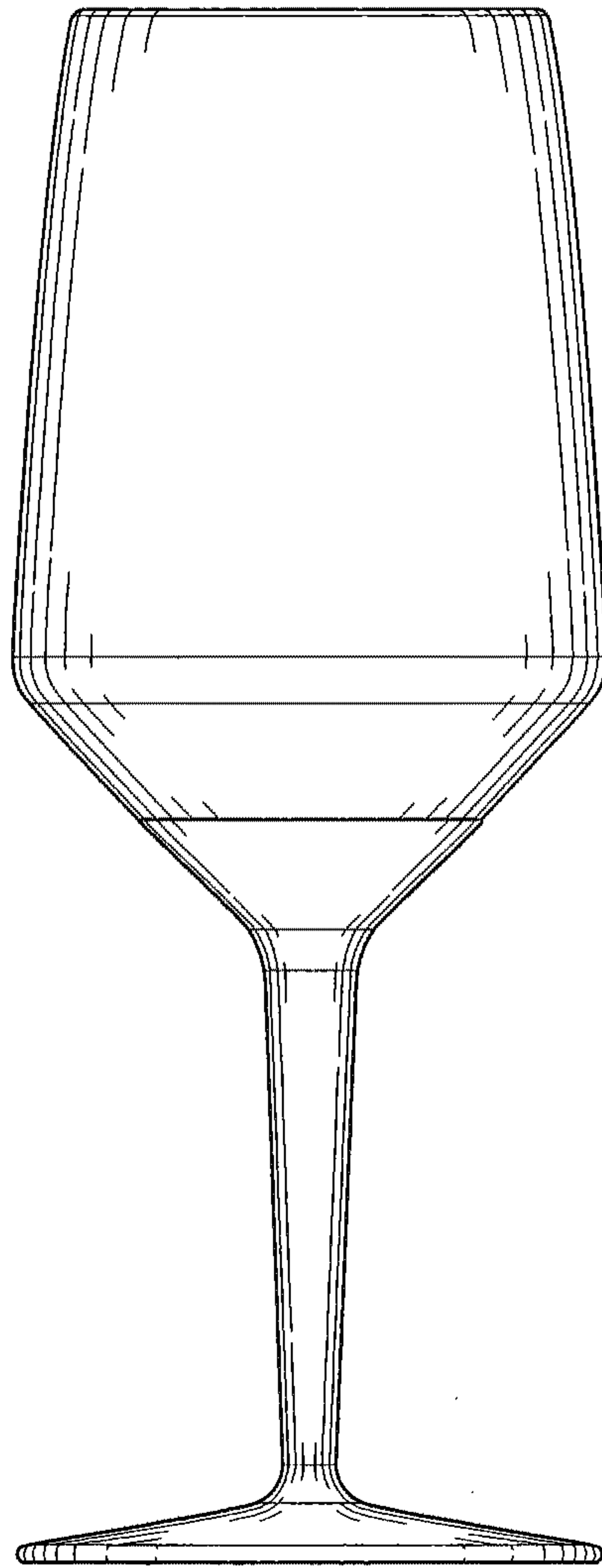


FIG. 2

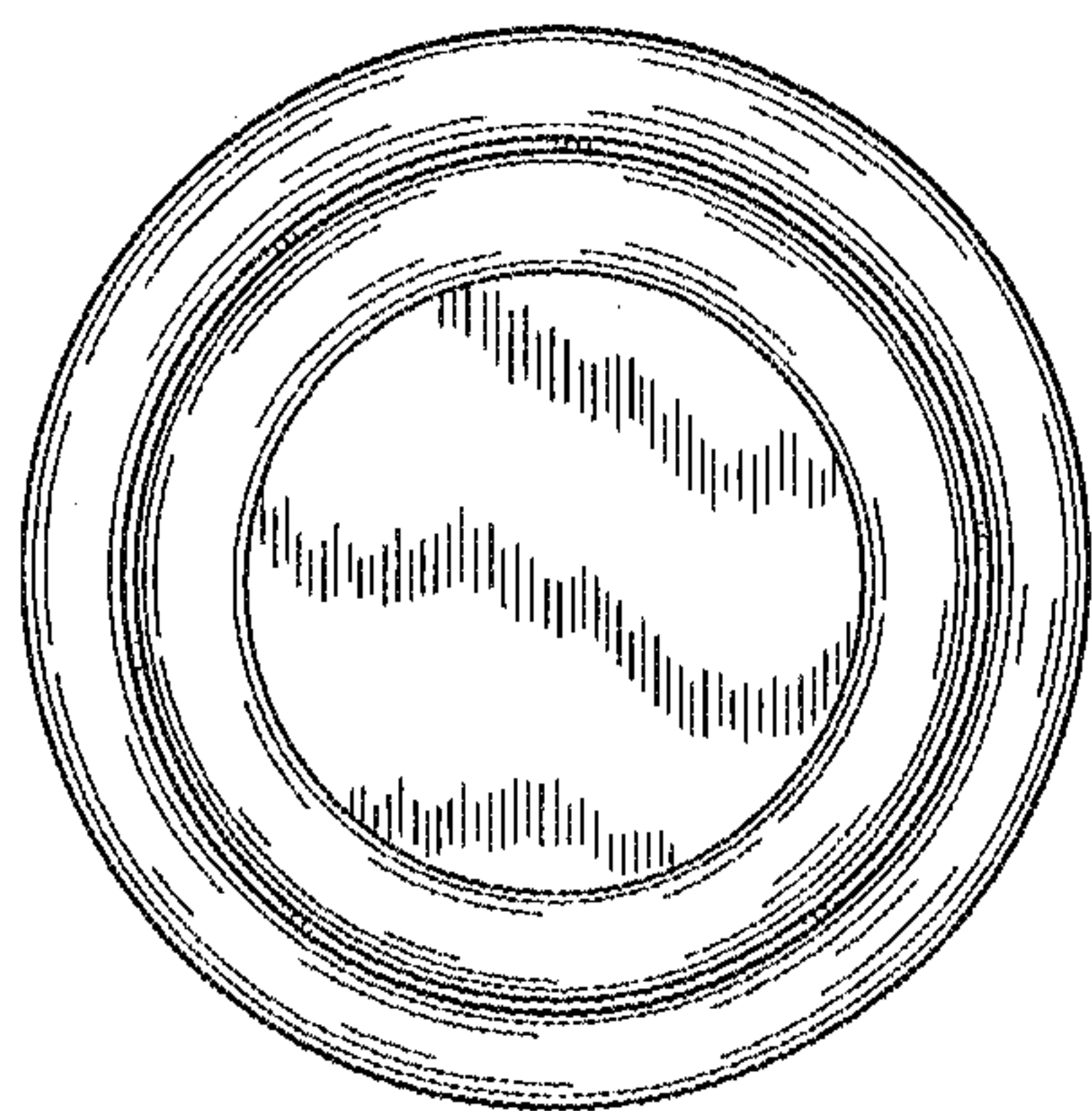


FIG. 3

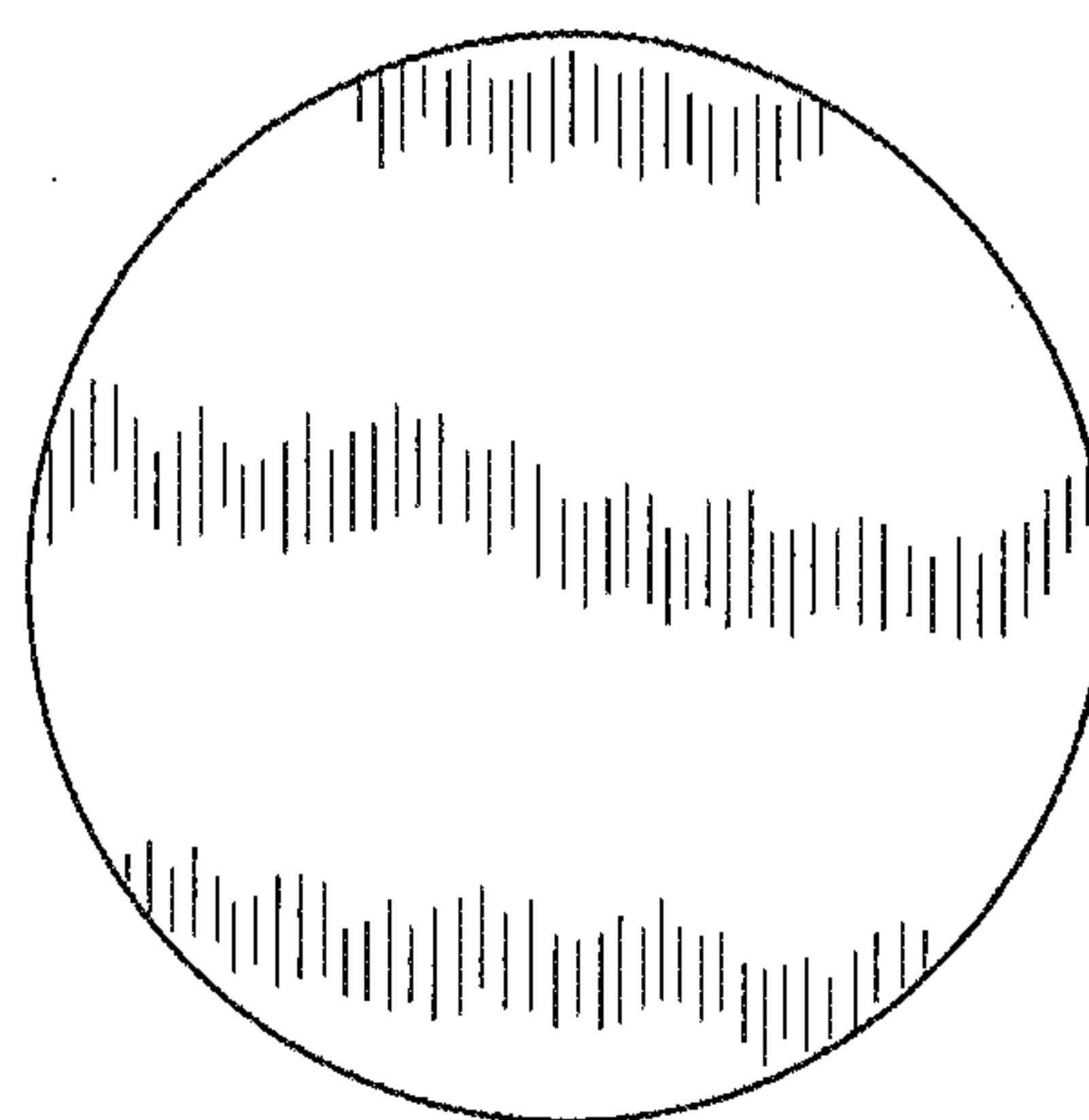


FIG. 4

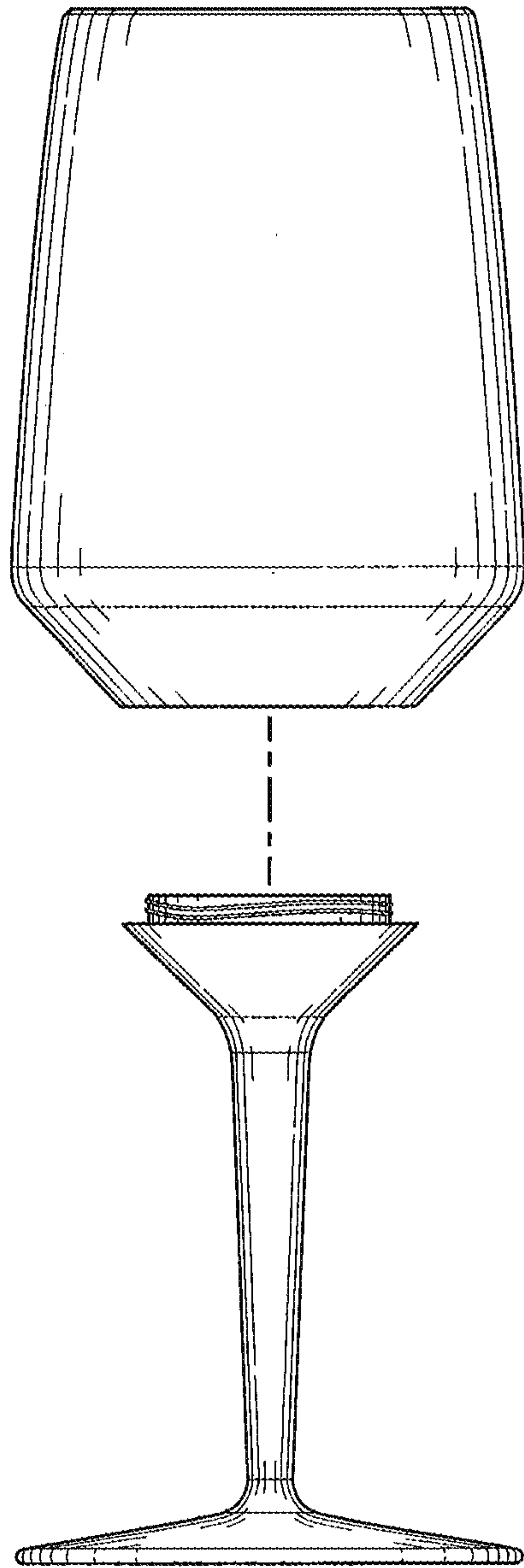


FIG. 5