



US00D834374S

(12) **United States Design Patent** (10) **Patent No.:** **US D834,374 S**
Faulkner (45) **Date of Patent:** **** Nov. 27, 2018**

(54) **DRINKING GLASS**

(71) Applicant: **Liely Faulkner**, Port Melbourne (AU)

(72) Inventor: **Liely Faulkner**, Port Melbourne (AU)

(73) Assignee: **Liely Faulkner**, Melbourne (AU)

(**) Term: **15 Years**

(21) Appl. No.: **29/619,428**

(22) Filed: **Sep. 29, 2017**

(51) **LOC (11) Cl.** **07-01**

(52) **U.S. Cl.**

USPC **D7/523**; D7/532; D7/509

(58) **Field of Classification Search**

USPC D7/505-511, 523, 529, 530, 532, 543,
D7/550.1, 553.2, 554.3, 592, 396.2, 531,
D7/396.4, 512, 607; D3/205, 202, 901;
D9/715, 719, 721, 739, 517, 690, 682,
D9/691, 748, 516, 553, 775, 773, 429;
D6/542, 534, 535, 512, 513, 514, 515,
D6/524, 527, 528, 530, 531; 206/520,
206/217; 220/592.16, 592.17, 703;
215/400, 403; D28/9, 99, 73; D19/95;
D11/144, 153

CPC A47G 19/22; A47G 19/2205; B65D 1/265;
B65D 3/06

See application file for complete search history.

(56) **References Cited**

U.S. PATENT DOCUMENTS

- D128,153 S * 7/1941 Arnold D9/500
- 3,781,164 A * 12/1973 McCaffery F21V 35/00
220/659
- 4,103,457 A * 8/1978 Carlisle A01G 5/06
47/40.5
- D340,881 S * 11/1993 Holtkamp, Jr. D11/143
- D351,121 S * 10/1994 Lauchlan D11/143

- D422,101 S * 3/2000 Barraclough D26/9
- D481,473 S * 10/2003 Walsh D26/11
- D482,571 S * 11/2003 Leinenweber D7/509
- D543,784 S * 6/2007 Assez D7/509
- D544,306 S * 6/2007 Festa D7/300.1
- D551,502 S * 9/2007 Bodum D7/509
- D575,108 S * 8/2008 Barducci D7/509
- D602,359 S * 10/2009 Eisen D9/500
- D670,836 S * 11/2012 Hisey 26/22
- D672,084 S * 12/2012 Ducey D27/137
- D681,384 S * 5/2013 Fitzpatrick A47G 19/12
D7/300
- D684,303 S * 6/2013 Lin D26/118
- D702,591 S * 4/2014 Young D11/143
- D717,116 S * 11/2014 Aslan D24/197
- D732,653 S * 6/2015 Hsiao D23/366
- D746,108 S * 12/2015 Di Giuseppantonio D7/509
- D771,439 S * 11/2016 Miller D7/509
- D821,143 S * 6/2018 Cossu D7/509
- D824,214 S * 7/2018 Albers D7/523
- D825,994 S * 8/2018 McConnell D7/523
- 2016/0073811 A1 * 3/2016 Bell A47G 19/2205
206/459.5
- 2016/0100702 A1 * 4/2016 Albers A47G 19/2205
206/517

* cited by examiner

Primary Examiner — Marianne N Pandozzi

Assistant Examiner — Jae Liang

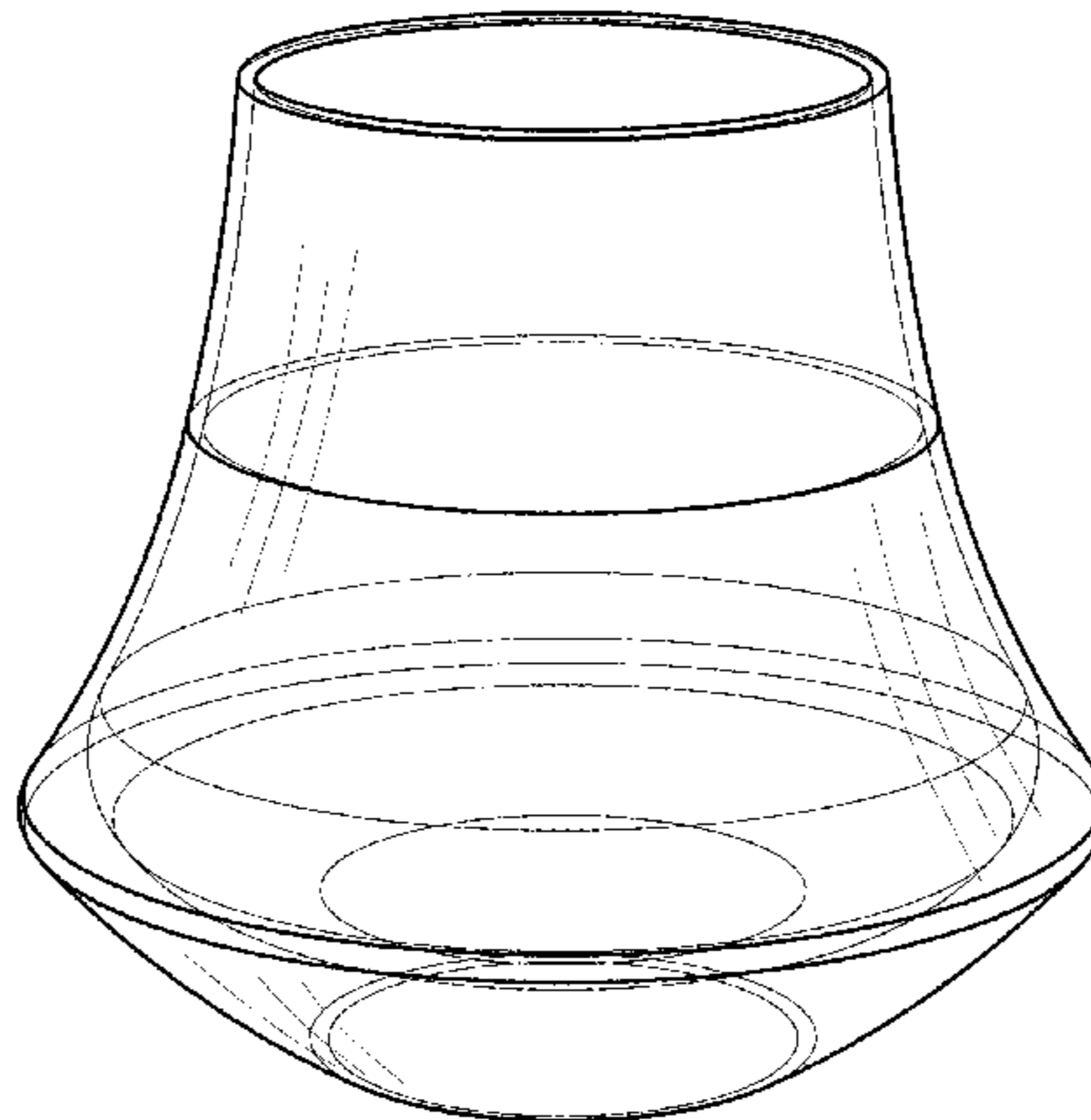
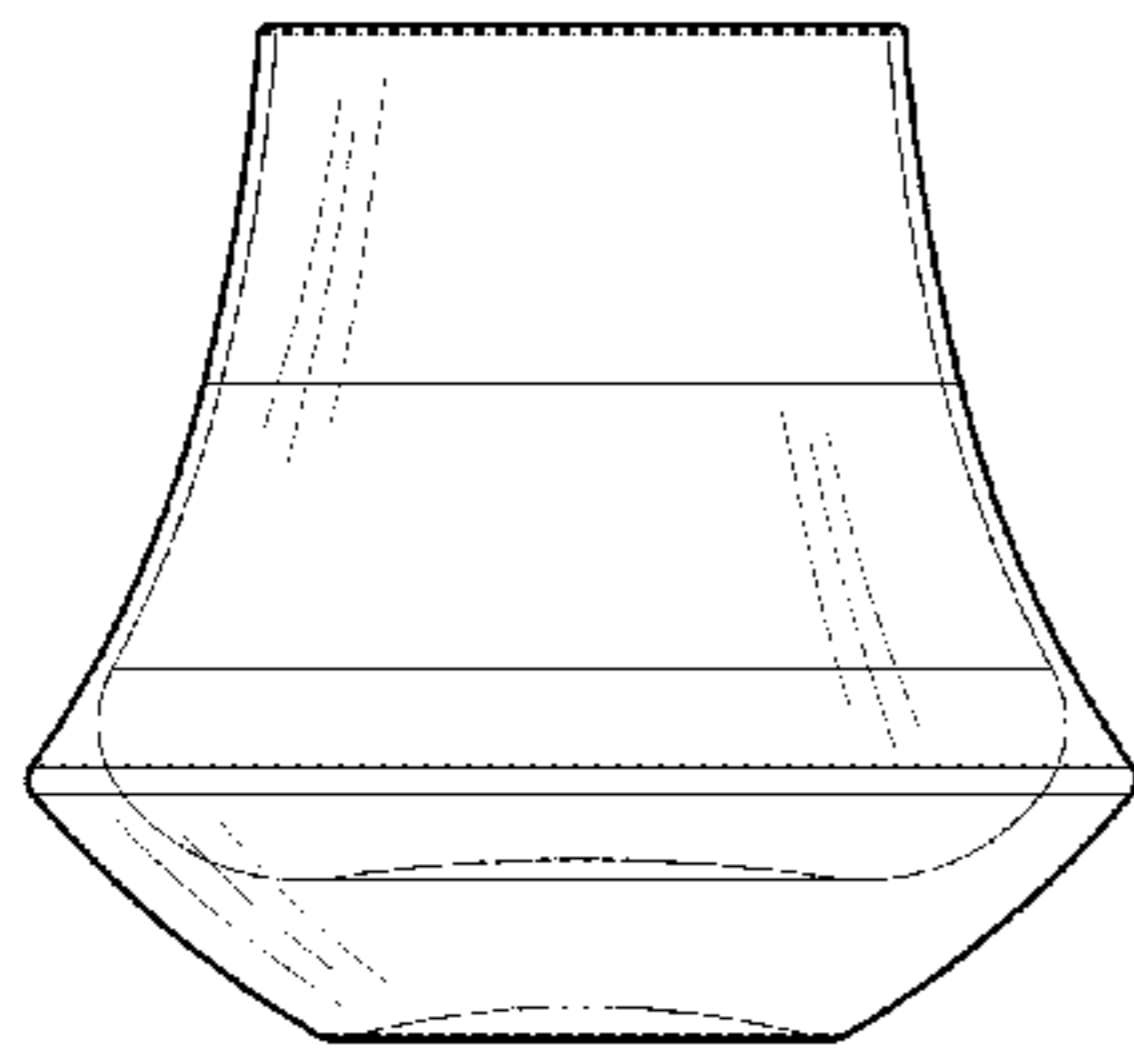
(57) **CLAIM**

The ornamental design for a drinking glass, as shown and described.

DESCRIPTION

FIG. 1 is a top elevational view of a drinking glass showing my new design;
FIG. 2 is a front elevational view thereof; the rear, right, and left side elevational views being identical;
FIG. 3 is a top perspective view thereof; and,
FIG. 4 is a bottom perspective view thereof.

1 Claim, 3 Drawing Sheets



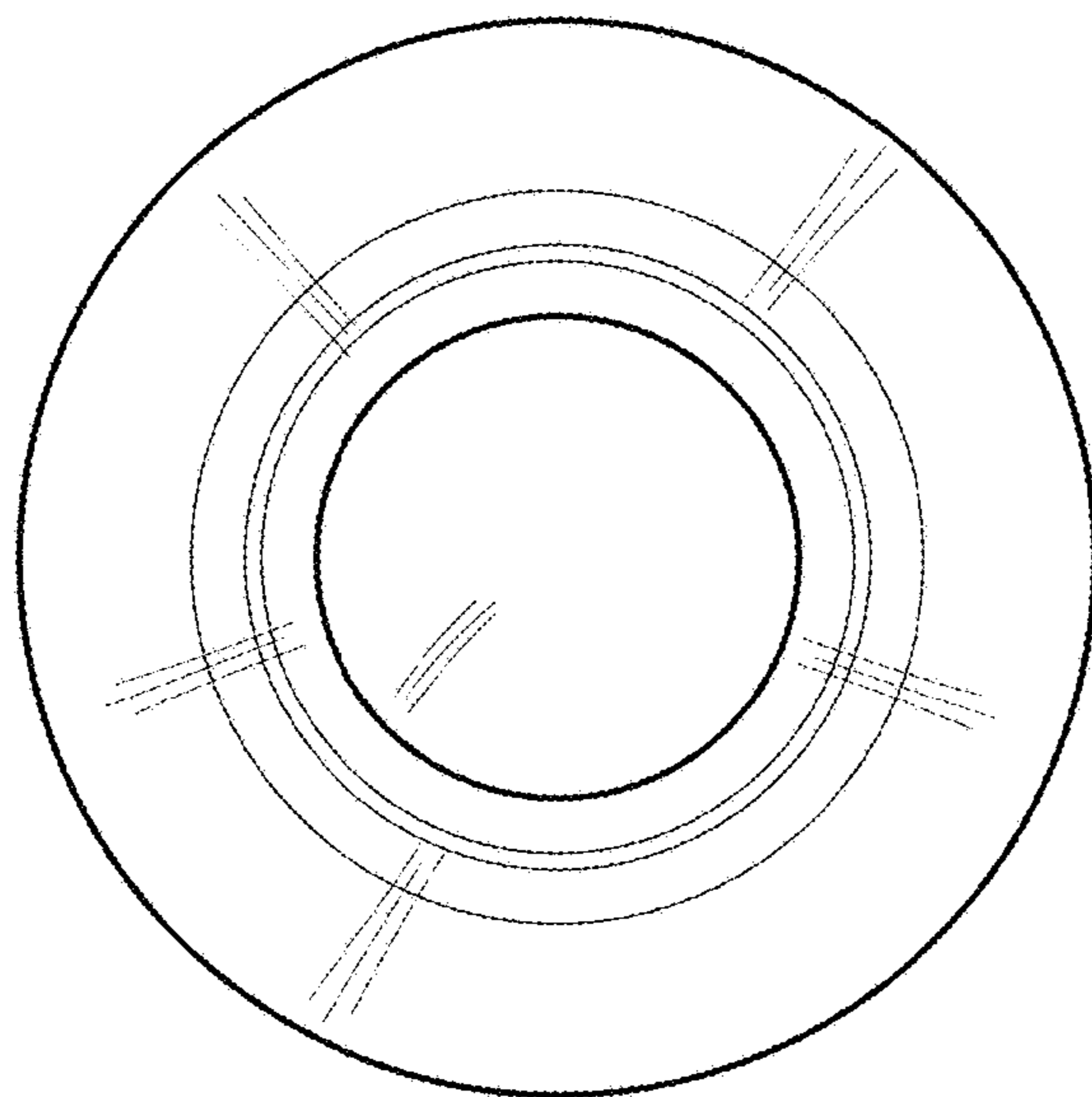


Fig.1

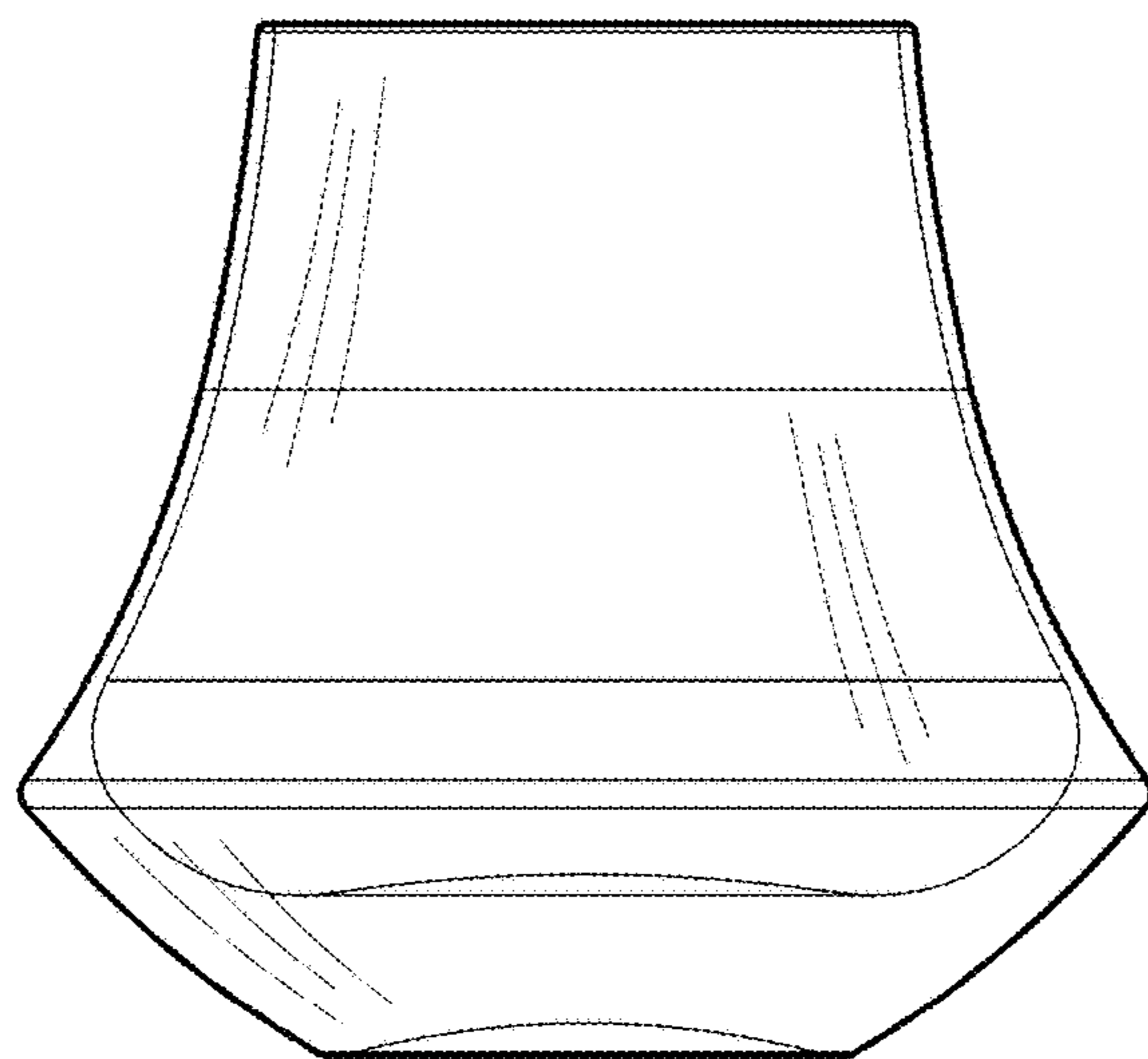


Fig.2



Fig.3

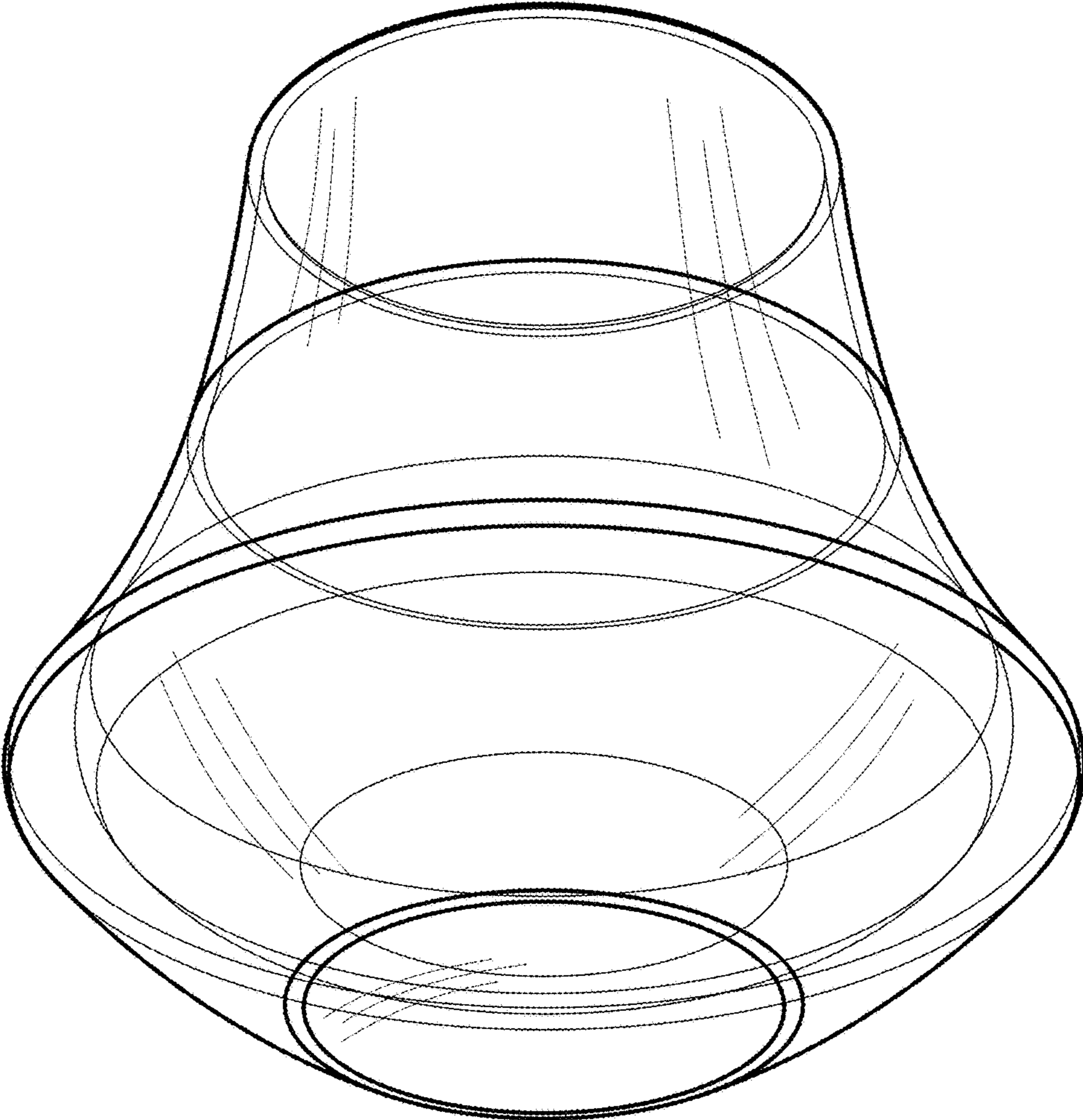


Fig.4