



US00D834373S

(12) **United States Design Patent** (10) **Patent No.:** **US D834,373 S**
Spivey et al. (45) **Date of Patent:** **** *Nov. 27, 2018**

- (54) **GROWLER VESSEL WITH LID**
- (71) Applicant: **Base Brands, LLC**, Atlanta, GA (US)
- (72) Inventors: **Patrick Spivey**, Atlanta, GA (US);
Kenneth Krefle, Atlanta, GA (US)
- (73) Assignee: **Base Brands, LLC**, Atlanta, GA (US)
- (*) Notice: This patent is subject to a terminal disclaimer.
- (**) Term: **15 Years**
- (21) Appl. No.: **29/575,825**
- (22) Filed: **Aug. 29, 2016**
- (51) **LOC (11) Cl.** **07-01**
- (52) **U.S. Cl.**
USPC **D7/510; D7/511; D7/532; D7/536**
- (58) **Field of Classification Search**
USPC D7/507, 509, 510, 511, 523, 527, 529,
D7/531, 532, 533, 534, 535, 536, 608,
D7/300, 300.1, 300.2, 552.1, 319, 393,
D7/394, 387, 391, 392.1, 396.2; D34/39;
D9/503, 907, 531, 435, 436, 454, 449,
D9/443; 220/592.16, 592.17, 495.03,
220/705-710
CPC A47G 19/22; A47G 19/2205; A47G
19/2222; A45F 3/16; A45F 3/20; B67D
7/06; B67D 1/0004; B65D 25/14
See application file for complete search history.

- (56) **References Cited**
U.S. PATENT DOCUMENTS
D543,454 S * 5/2007 Leoncavallo D9/449
D554,000 S * 10/2007 Walsh B65D 1/0207
D9/772
D596,500 S * 7/2009 Diss D9/500
7,753,240 B2 * 7/2010 Leoncavallo B65D 47/0895
215/235

D698,244 S *	1/2014	Lin	D9/500
D699,516 S *	2/2014	Kim	D7/510
D714,644 S *	10/2014	Wagner	D9/500
D723,333 S *	3/2015	Lin	D7/511
D724,894 S *	3/2015	Brosius	D7/510
D753,442 S *	4/2016	Weernink	D7/507
D774,826 S *	12/2016	Boroski	D7/510
D776,564 S *	1/2017	Seth-Andersson	D11/153
D787,939 S *	5/2017	Lam	D9/503
D790,624 S *	6/2017	Matsushita	D18/56
D790,920 S *	7/2017	Goodwin	D7/510
D796,901 S *	9/2017	Pisarevsky	D7/510
D798,110 S *	9/2017	Valenti	D7/507
D802,365 S *	11/2017	Yao	D7/510
D803,064 S *	11/2017	Marina	D9/537
2003/0102278 A1 *	6/2003	Chupak	B65D 1/0207 215/40
2006/0124579 A1 *	6/2006	Nielson	B65D 23/104 215/396

* cited by examiner

Primary Examiner — Marianne N Pandozzi
Assistant Examiner — Jae Liang
(74) *Attorney, Agent, or Firm* — Park, Vaughan, Fleming & Dowler LLP

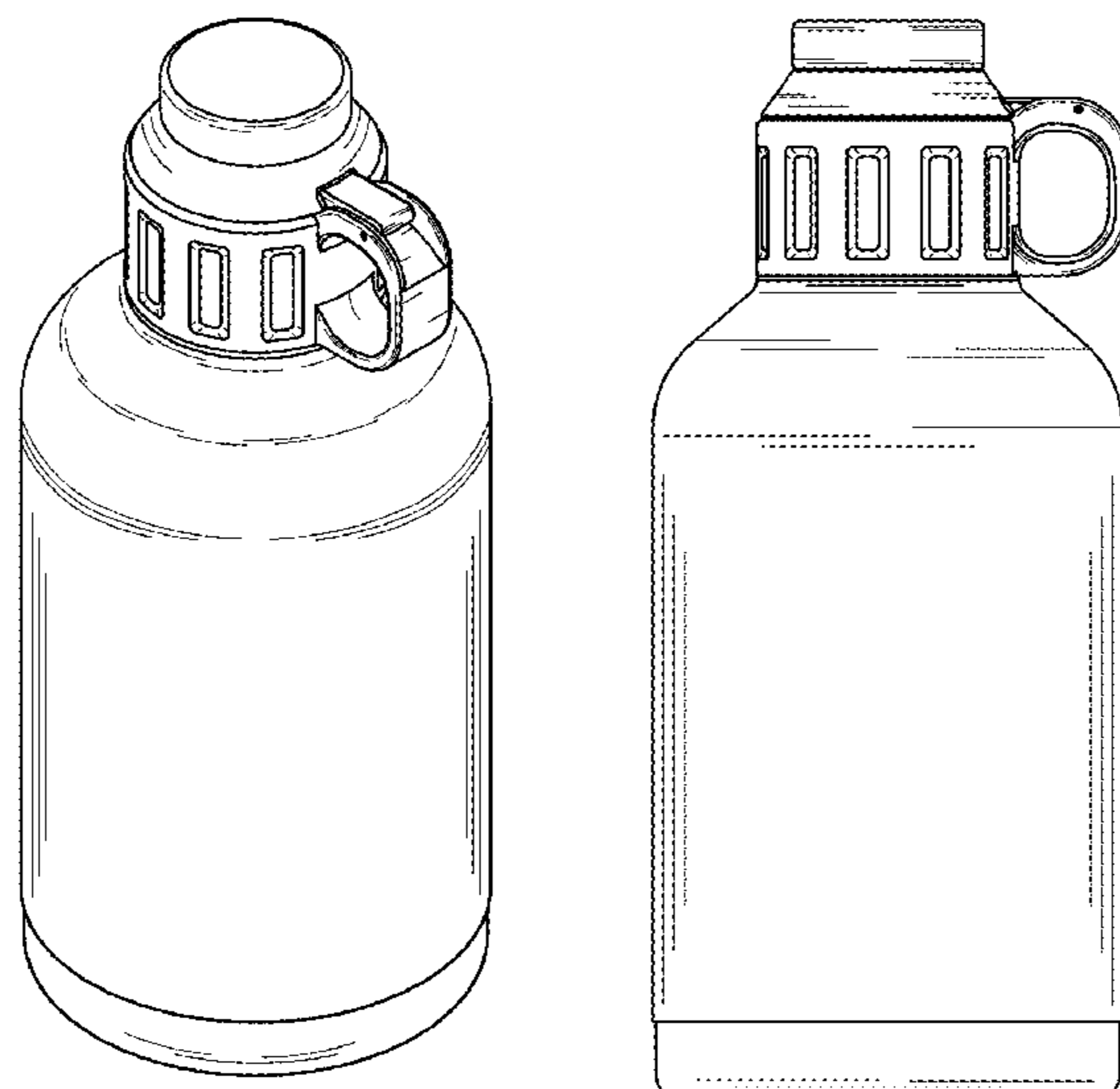
(57) **CLAIM**

The ornamental design for a growler vessel with lid, as shown and described.

DESCRIPTION

FIG. 1 is a top perspective view of a growler vessel with lid showing our new design.
FIG. 2 is a top view thereof.
FIG. 3 is a bottom view thereof.
FIG. 4 is a front view thereof.
FIG. 5 is a back view thereof.
FIG. 6 is a left side view thereof.
FIG. 7 is a right side view thereof.
FIG. 8 is a top perspective view thereof; and,
FIG. 9 is a right side view thereof.

1 Claim, 5 Drawing Sheets



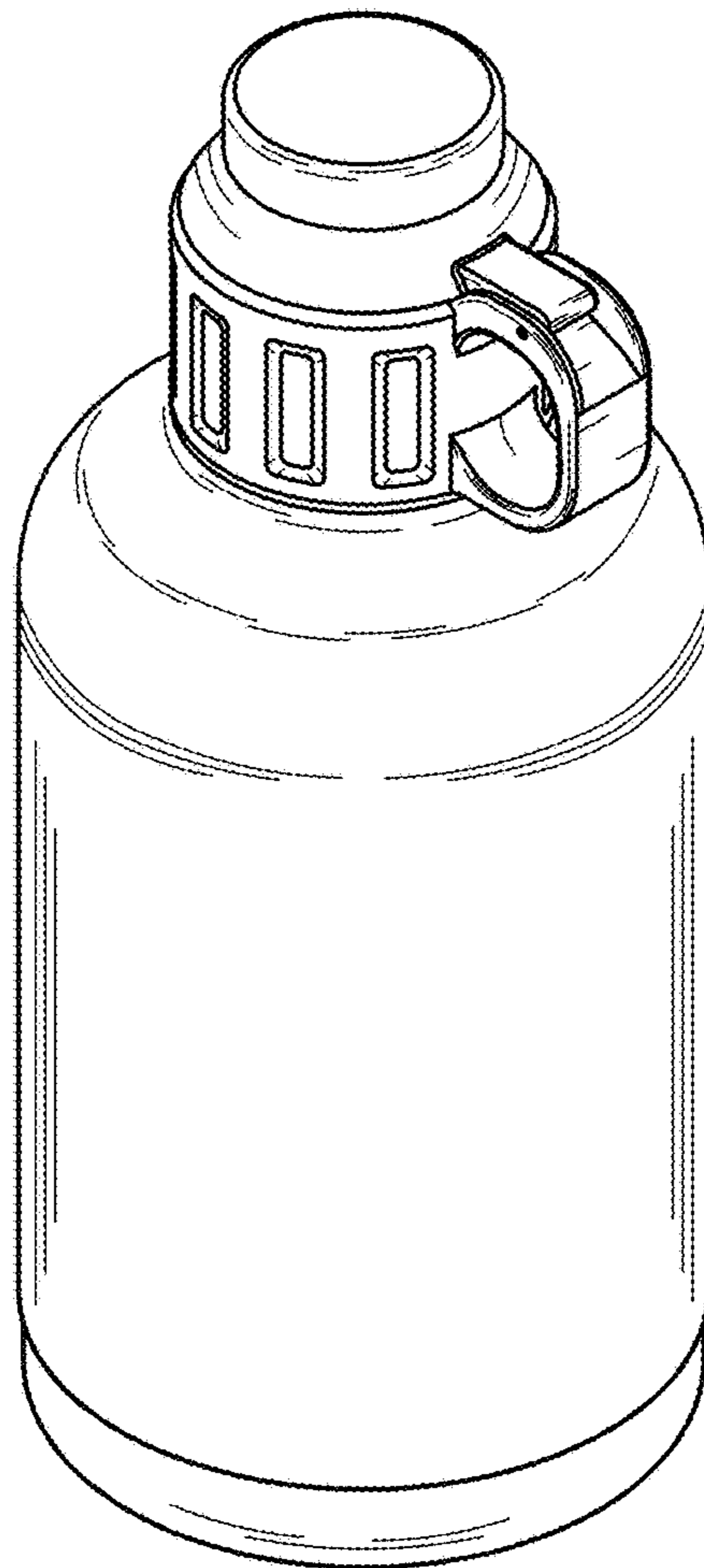


FIG. 1

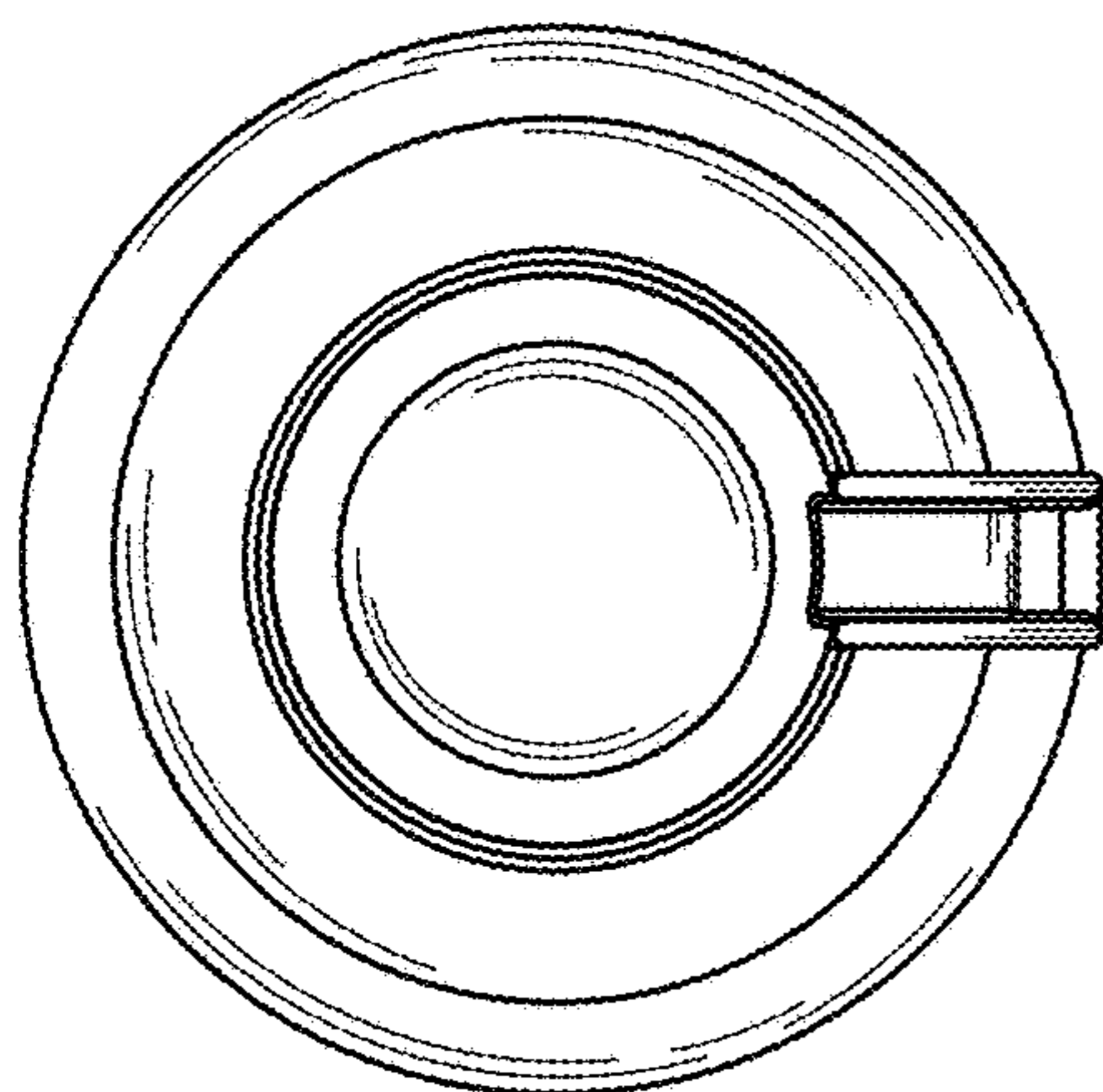


FIG. 2

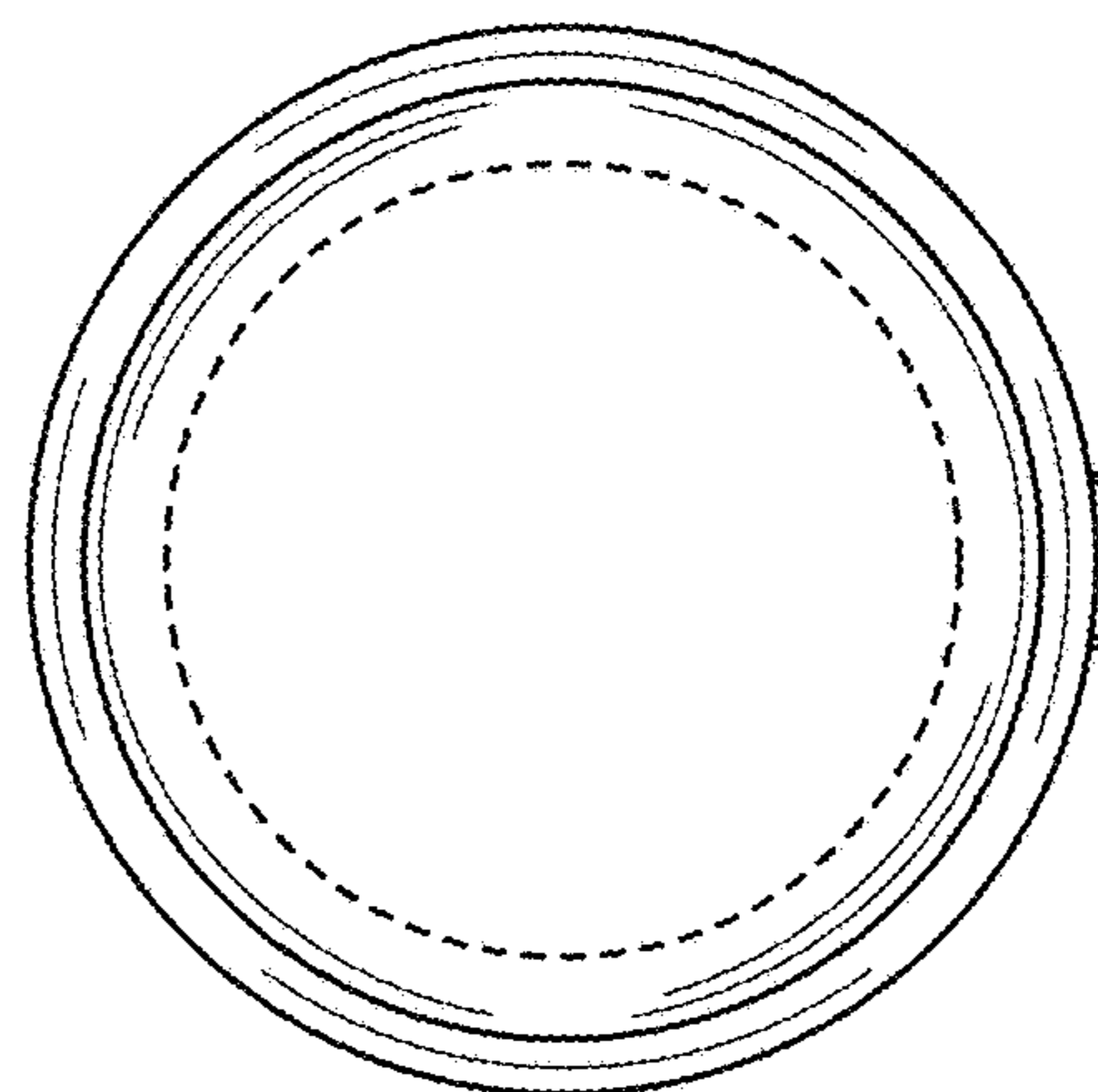


FIG. 3

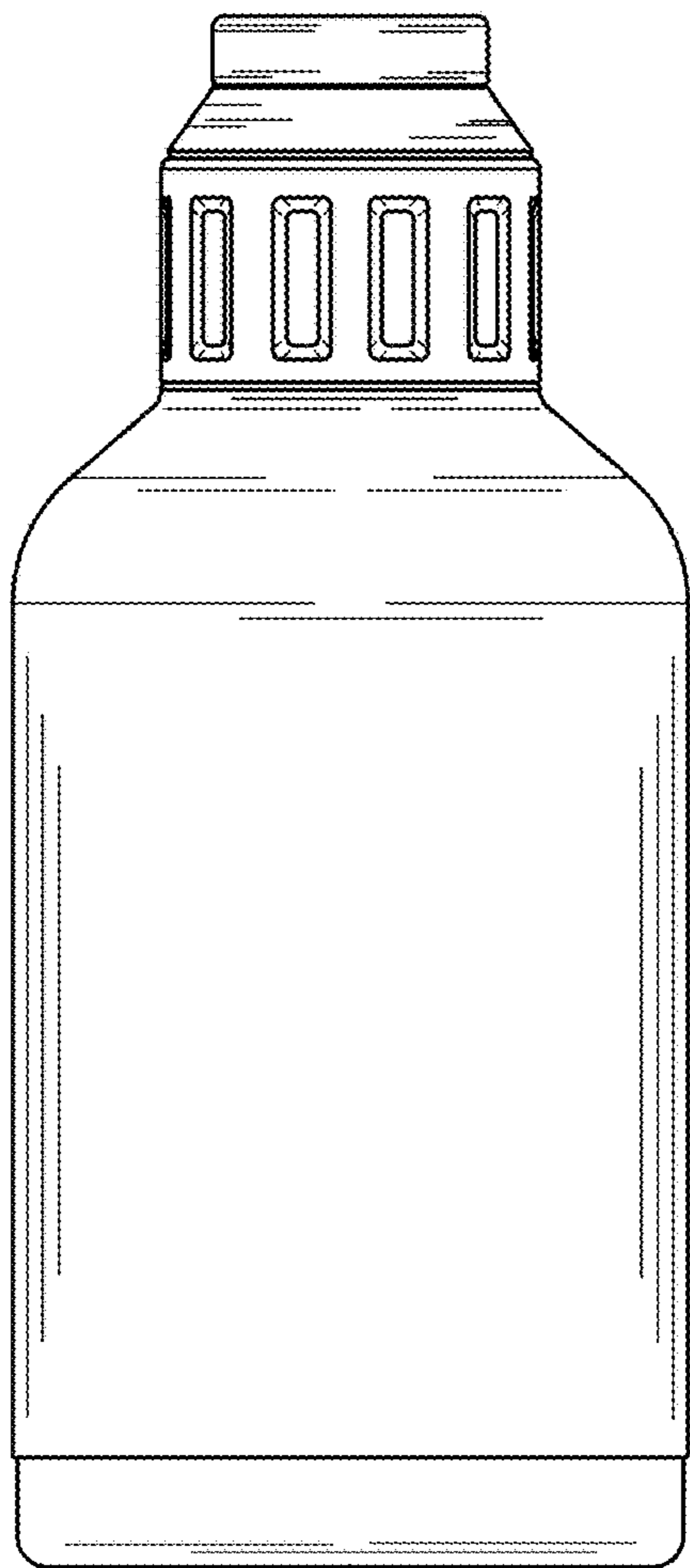


FIG. 4

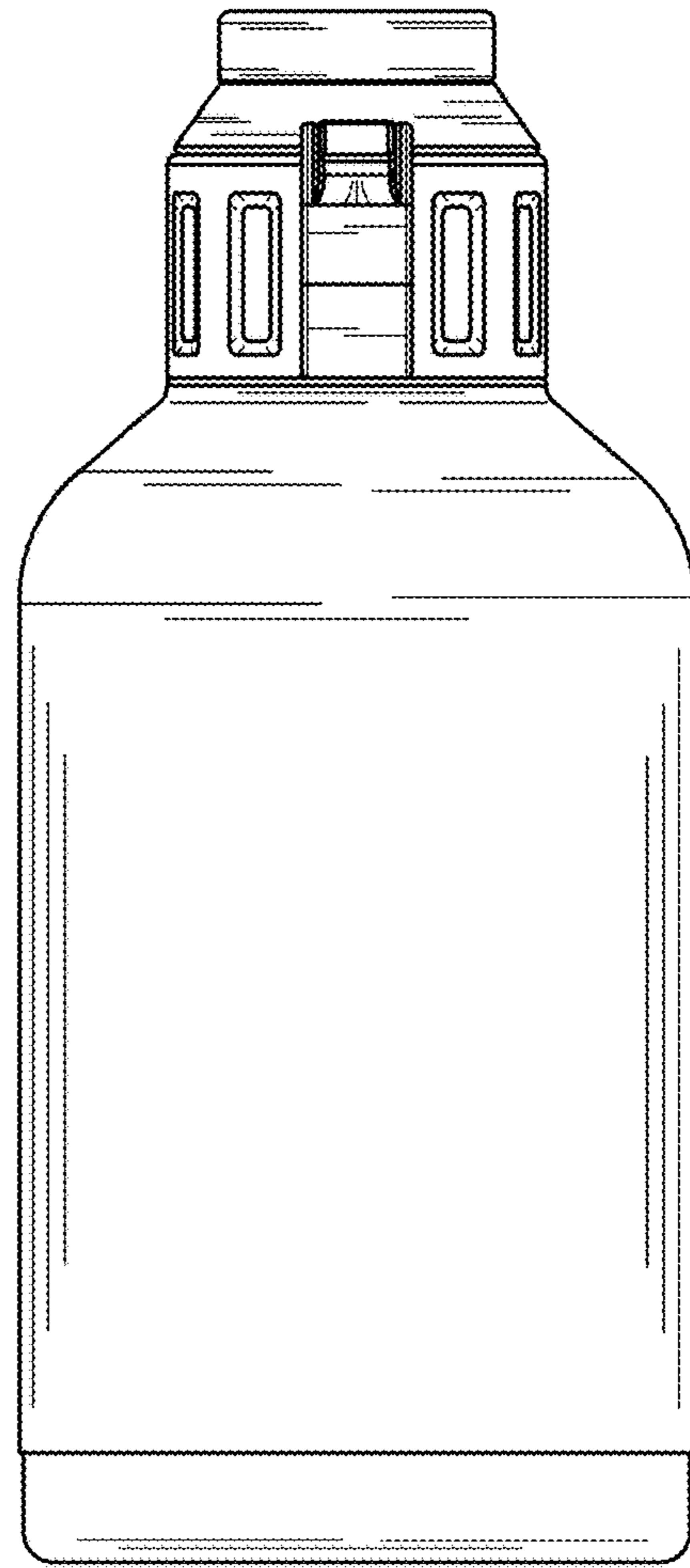


FIG. 5

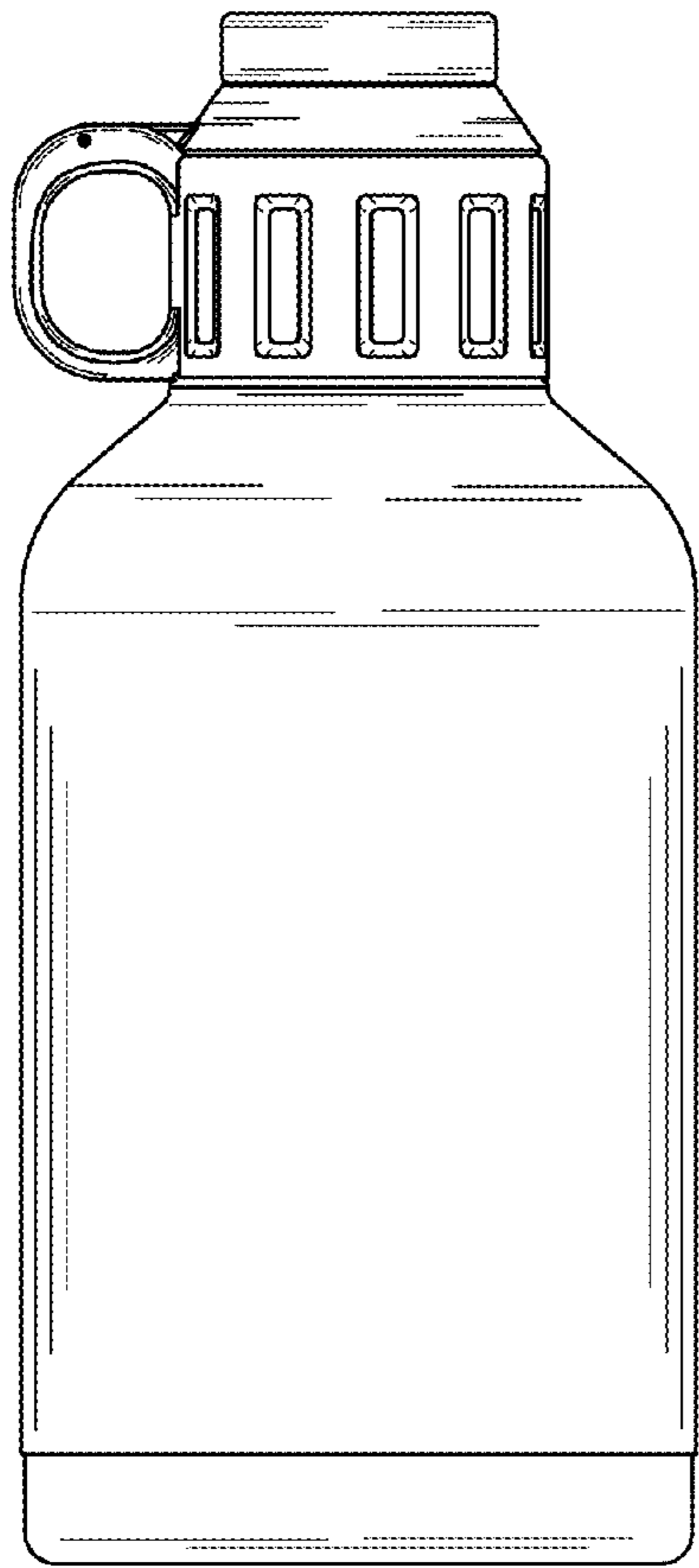


FIG. 6

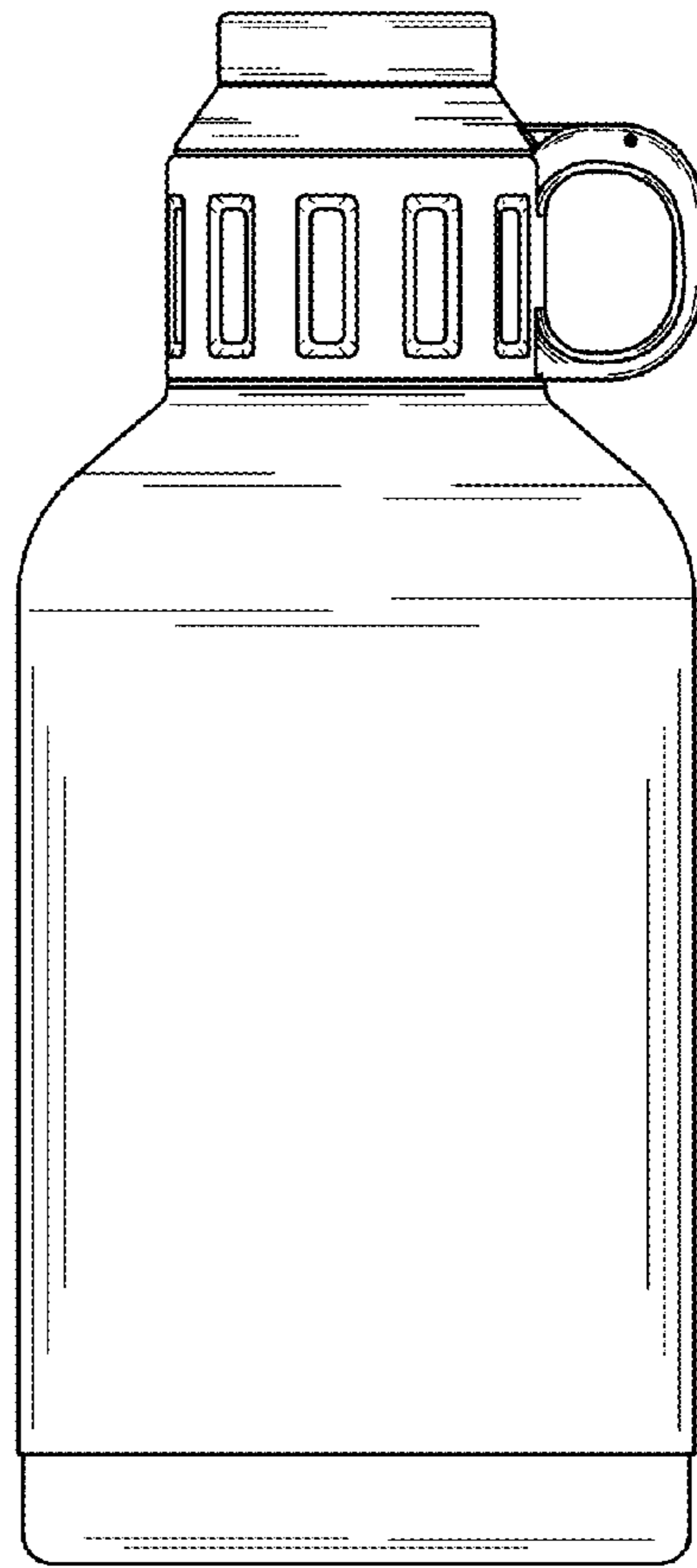


FIG. 7

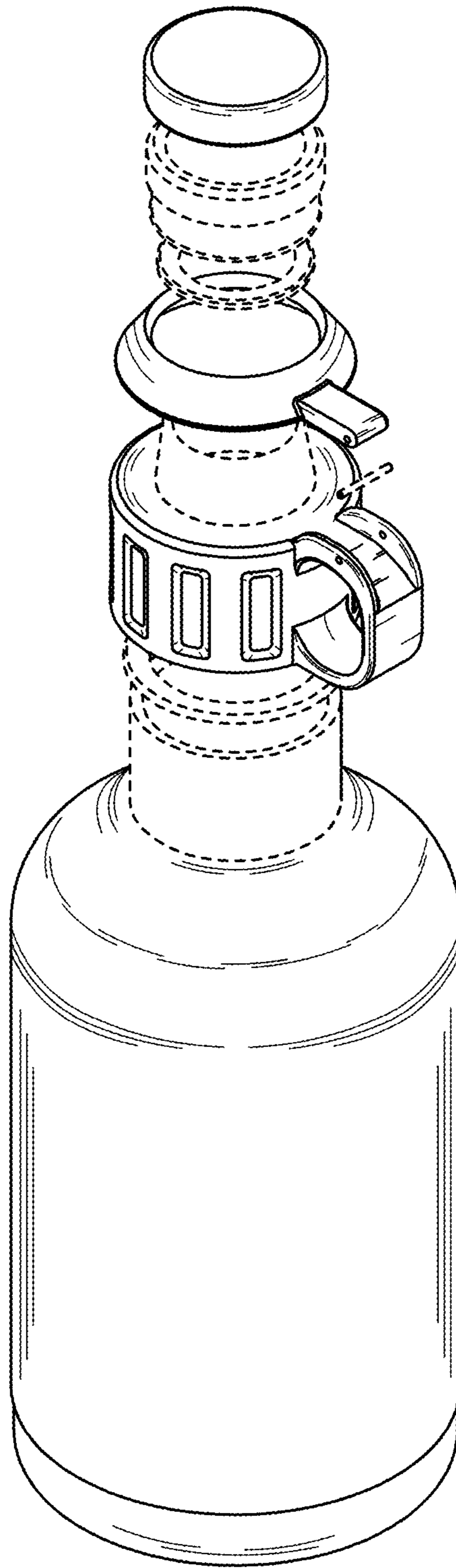


FIG. 8

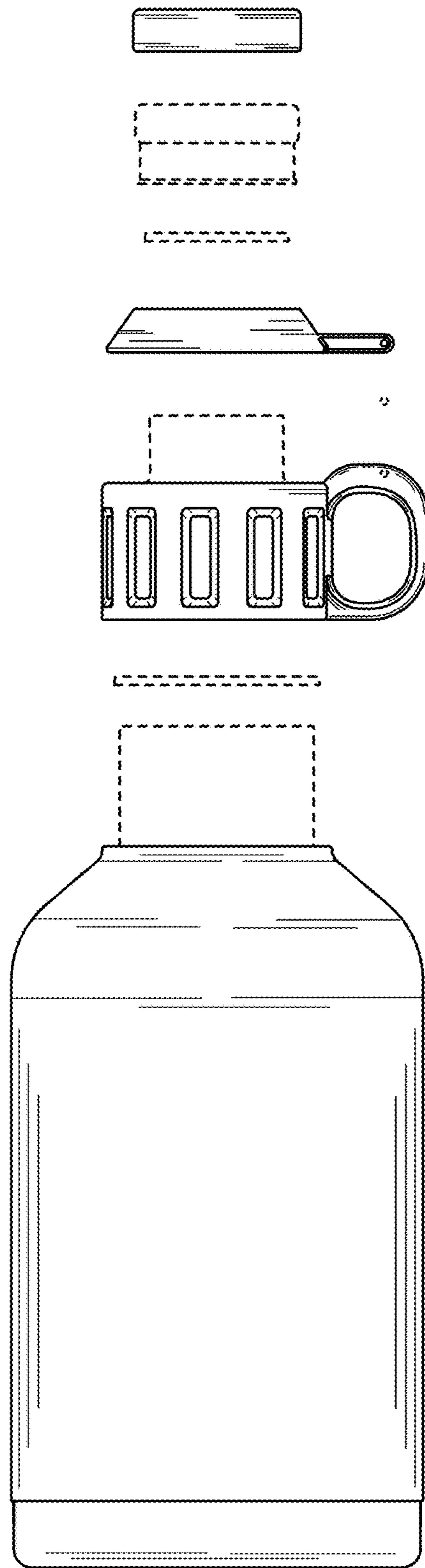


FIG. 9