



US00D834372S

(12) **United States Design Patent**  
**Cudworth**

(10) **Patent No.:** **US D834,372 S**

(45) **Date of Patent:** **\*\* Nov. 27, 2018**

(54) **ULTRA BASE**

D504,049 S \* 4/2005 Morano ..... D7/510  
D530,619 S \* 10/2006 Stockwell ..... D9/551  
D531,042 S \* 10/2006 Venkataraman ..... D9/551

(Continued)

(71) Applicant: **Jackel International, Ltd.**,  
Cramlington, Northumberland (GB)

**FOREIGN PATENT DOCUMENTS**

(72) Inventor: **Nicholas Cudworth**, Cramlington (GB)

EP 2808006 A1 12/2014  
GB 2490735 A 11/2012

(73) Assignee: **Jackel International Limited**,  
Cramlington Northumberland (GB)

(Continued)

(\*\*) Term: **15 Years**

**OTHER PUBLICATIONS**

(21) Appl. No.: **29/587,415**

[www.tommeetippee.co.uk/product/ultra-feeding-bottle](http://www.tommeetippee.co.uk/product/ultra-feeding-bottle), last accessed on May 17, 2017.

(22) Filed: **Dec. 13, 2016**

(Continued)

(30) **Foreign Application Priority Data**

*Primary Examiner* — Cynthia R Underwood

Jun. 14, 2016 (EM) ..... 3190065-0003  
Jun. 14, 2016 (EM) ..... 3190065-0004

(74) *Attorney, Agent, or Firm* — Olson & Cepuritis, Ltd.

(51) **LOC (11) Cl.** ..... **07-01**

(57) **CLAIM**

(52) **U.S. Cl.**  
USPC ..... **D7/509**

The ornamental design for an ultra base, as shown and described.

(58) **Field of Classification Search**  
USPC ..... D7/509, 500, 523, 522  
CPC ..... A47G 19/22; A47G 19/2222; A45F 3/16;  
B67D 7/06; B67D 1/0004; B65D 25/14  
See application file for complete search history.

**DESCRIPTION**

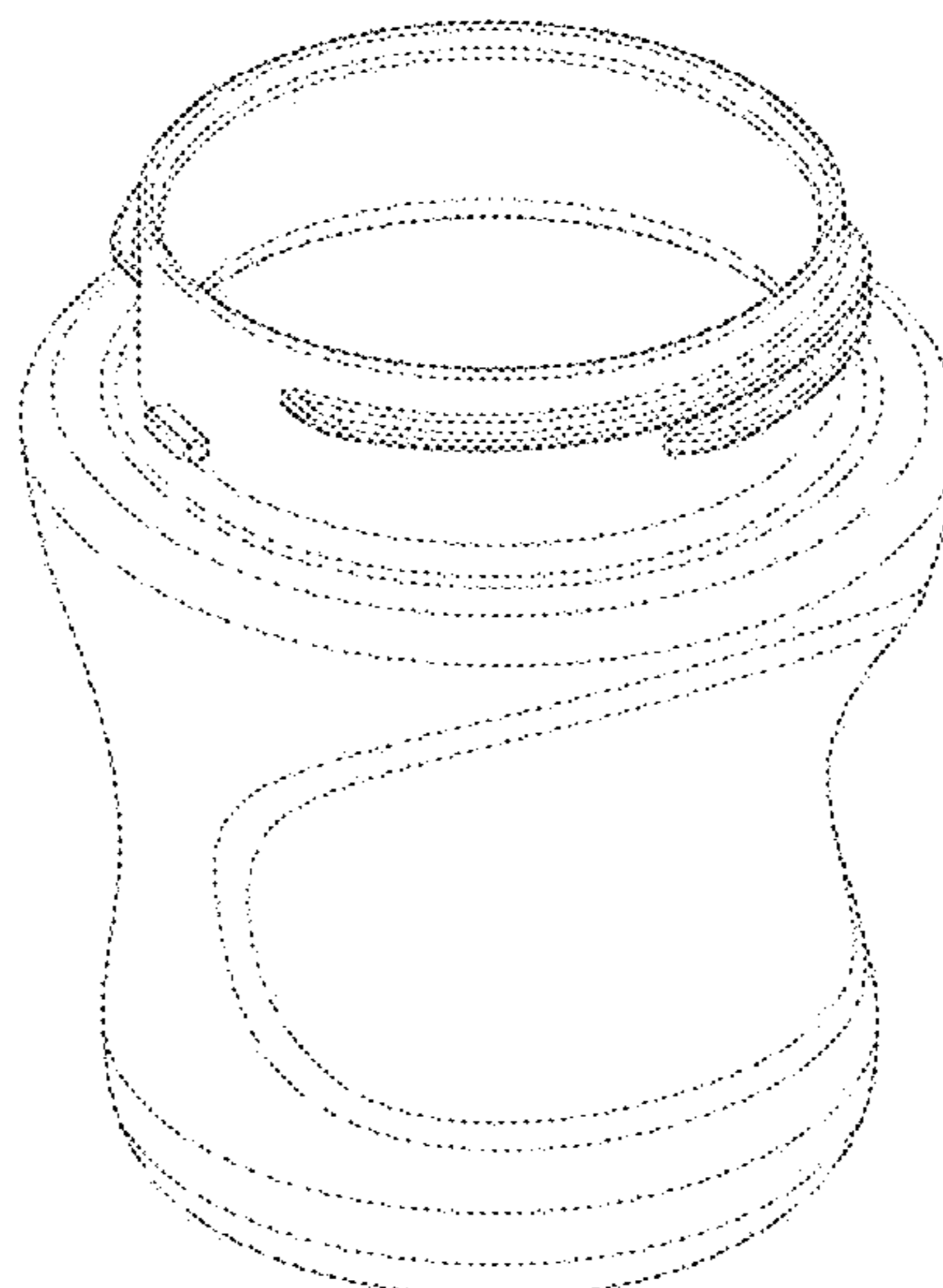
(56) **References Cited**

FIG. 1 is a front perspective view of a first embodiment of an ultra base showing my new design;  
FIG. 2 is a front elevational view thereof;  
FIG. 3 is a rear elevational view thereof;  
FIG. 4 is a right side elevational view thereof;  
FIG. 5 is a left side elevational view thereof;  
FIG. 6 is top plan view thereof;  
FIG. 7 is a bottom plan view thereof;  
FIG. 8 is a front perspective view of a second embodiment of the ultra base;  
FIG. 9 is a front elevational view thereof;  
FIG. 10 is a rear elevational view thereof;  
FIG. 11 is a right side elevational view thereof;  
FIG. 12 is a left side elevational view;  
FIG. 13 is top plan view thereof; and,  
FIG. 14 is a bottom plan view thereof.

**U.S. PATENT DOCUMENTS**

D31,126 S \* 7/1899 Henius ..... D9/546  
D224,291 S \* 7/1972 Henius ..... D9/550  
4,613,050 A 9/1986 Atkin  
D388,660 S \* 1/1998 Grundl ..... D7/507  
6,253,935 B1 7/2001 Fletcher  
D446,458 S \* 8/2001 Gans ..... D9/538  
D462,270 S \* 9/2002 Renz ..... D9/537  
D470,773 S \* 2/2003 Darr ..... D9/538  
D480,313 S \* 10/2003 Johnson ..... D9/538

**1 Claim, 14 Drawing Sheets**



(56)

References Cited

U.S. PATENT DOCUMENTS

7,178,684 B1 \* 2/2007 Budden ..... B65D 1/0223  
 215/381  
 D575,158 S \* 8/2008 Boon ..... D9/516  
 7,568,588 B2 \* 8/2009 Yourist ..... B65D 1/0223  
 215/379  
 D620,125 S \* 7/2010 Rees ..... A61J 11/006  
 D24/197  
 D620,315 S \* 7/2010 Boonprasop ..... D7/509  
 D627,598 S \* 11/2010 Boonprasop ..... D7/396.2  
 D653,964 S \* 2/2012 Cepetic ..... D9/773  
 D681,218 S \* 4/2013 Smith ..... D24/197  
 D699,118 S \* 2/2014 Yourist ..... D9/531  
 8,777,028 B2 7/2014 Sakulsacha  
 D732,340 S \* 6/2015 Kane ..... D7/509  
 D755,569 S \* 5/2016 Parker ..... D7/510  
 D755,572 S \* 5/2016 Parker ..... D7/510  
 D757,495 S \* 5/2016 Parker ..... D7/507  
 D762,419 S \* 8/2016 Parker ..... D7/510  
 D763,624 S \* 8/2016 Parker ..... D7/510  
 D764,235 S \* 8/2016 Parker ..... D7/510  
 D783,358 S \* 4/2017 Schlegel ..... D7/510

D786,618 S \* 5/2017 Parker ..... D7/507  
 D796,262 S \* 9/2017 Parker ..... D7/510  
 D805,354 S \* 12/2017 Bielawski ..... D7/523  
 D817,718 S \* 5/2018 Furneaux ..... D7/532  
 D819,401 S \* 6/2018 Parker ..... D7/510  
 D825,994 S \* 8/2018 McConnell ..... D7/523  
 2004/0188371 A1 \* 9/2004 Holley, Jr. .... A61J 9/001  
 215/11.1

FOREIGN PATENT DOCUMENTS

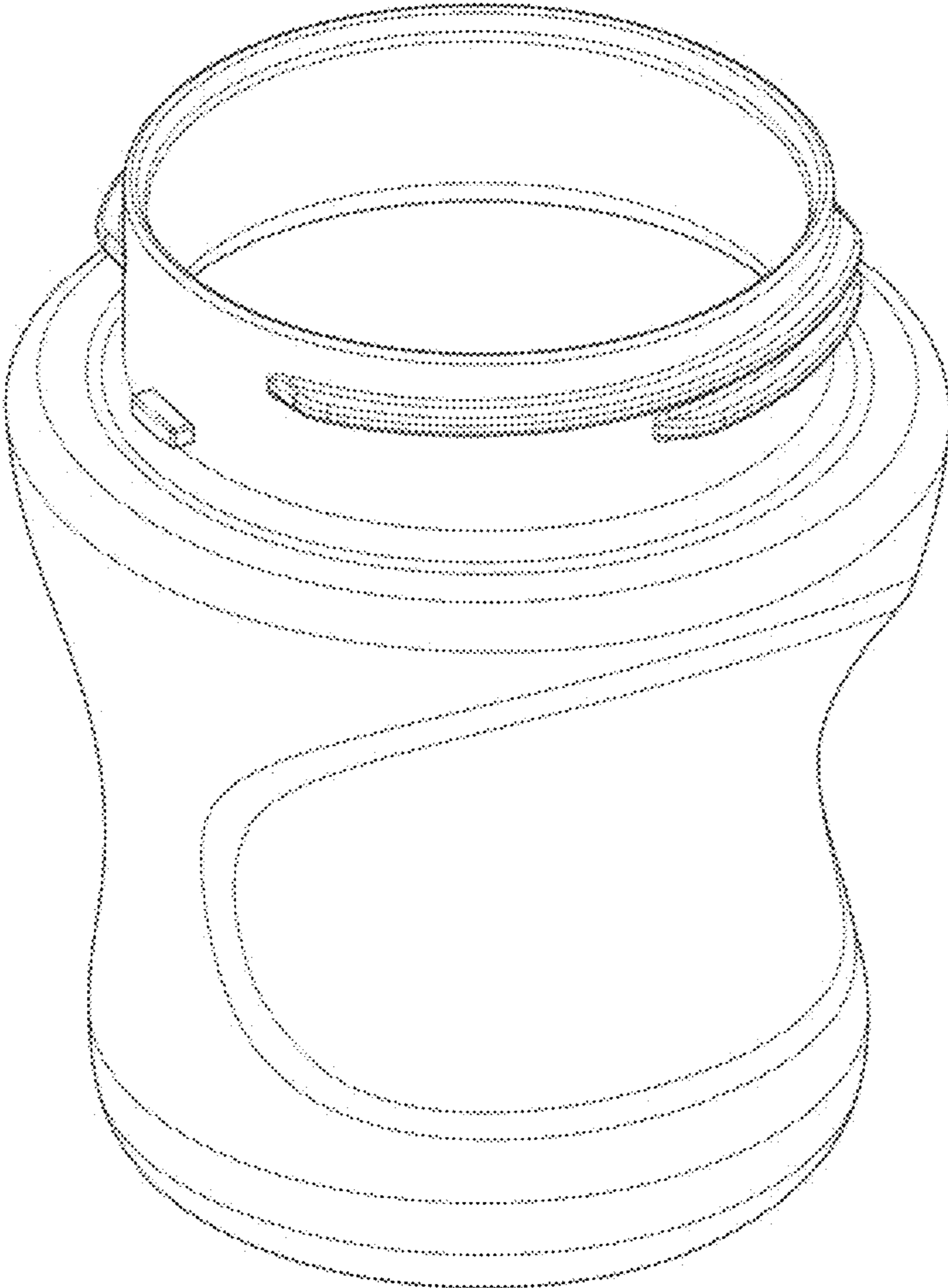
NZ 524766 A 10/2004  
 WO 2006103379 A1 10/2006  
 WO 2017037425 A1 3/2017

OTHER PUBLICATIONS

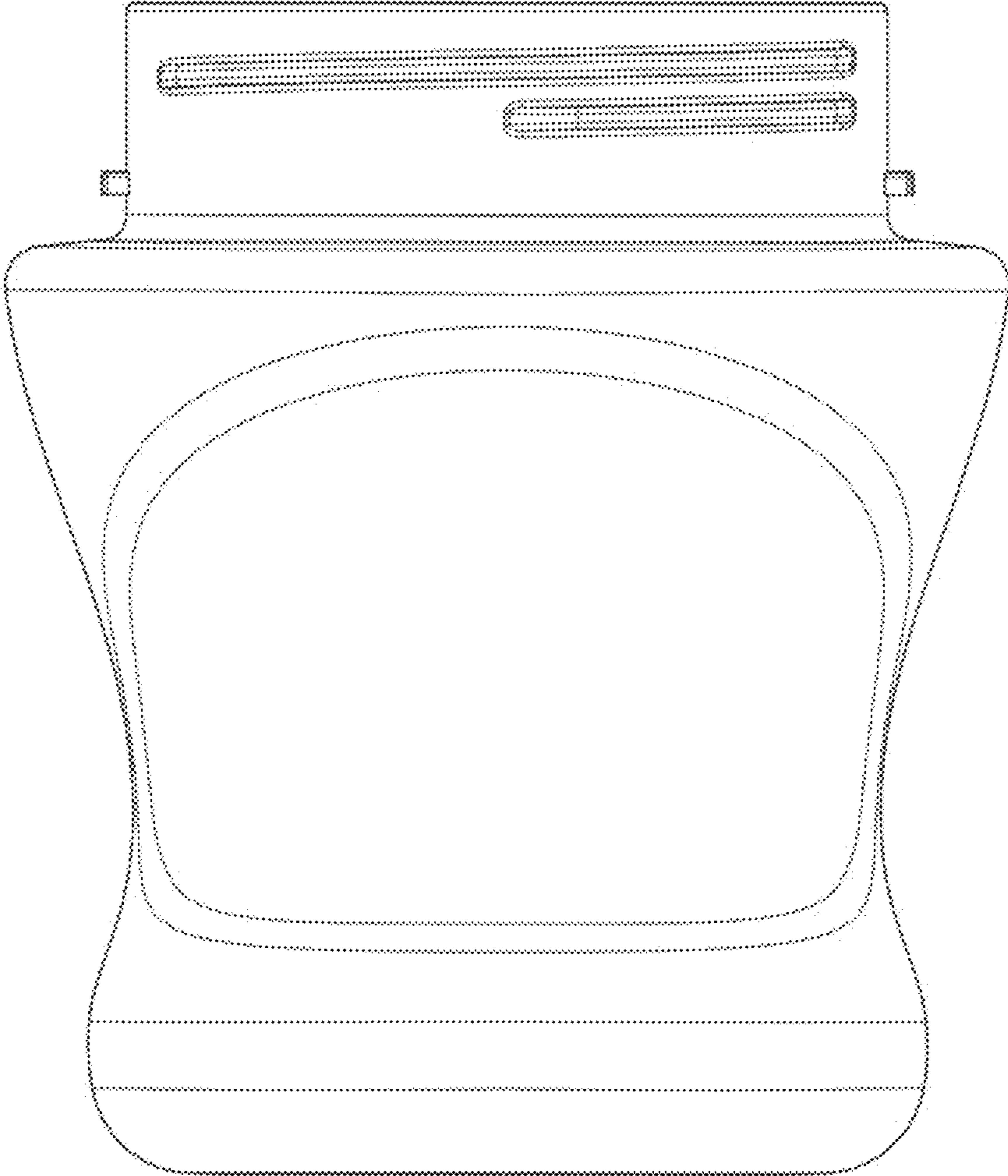
[www.tommeetippee.co.uk/product/transition-sippe-trainer](http://www.tommeetippee.co.uk/product/transition-sippe-trainer), last accessed on May 17, 2017.

*Luv N' Care, Ltd. v. Jackel International Limited*, No. 10-1891, State of Louisiana, Parish of Ouachita, Fourth District Court.

\* cited by examiner



**FIG. 1**



**FIG. 2**

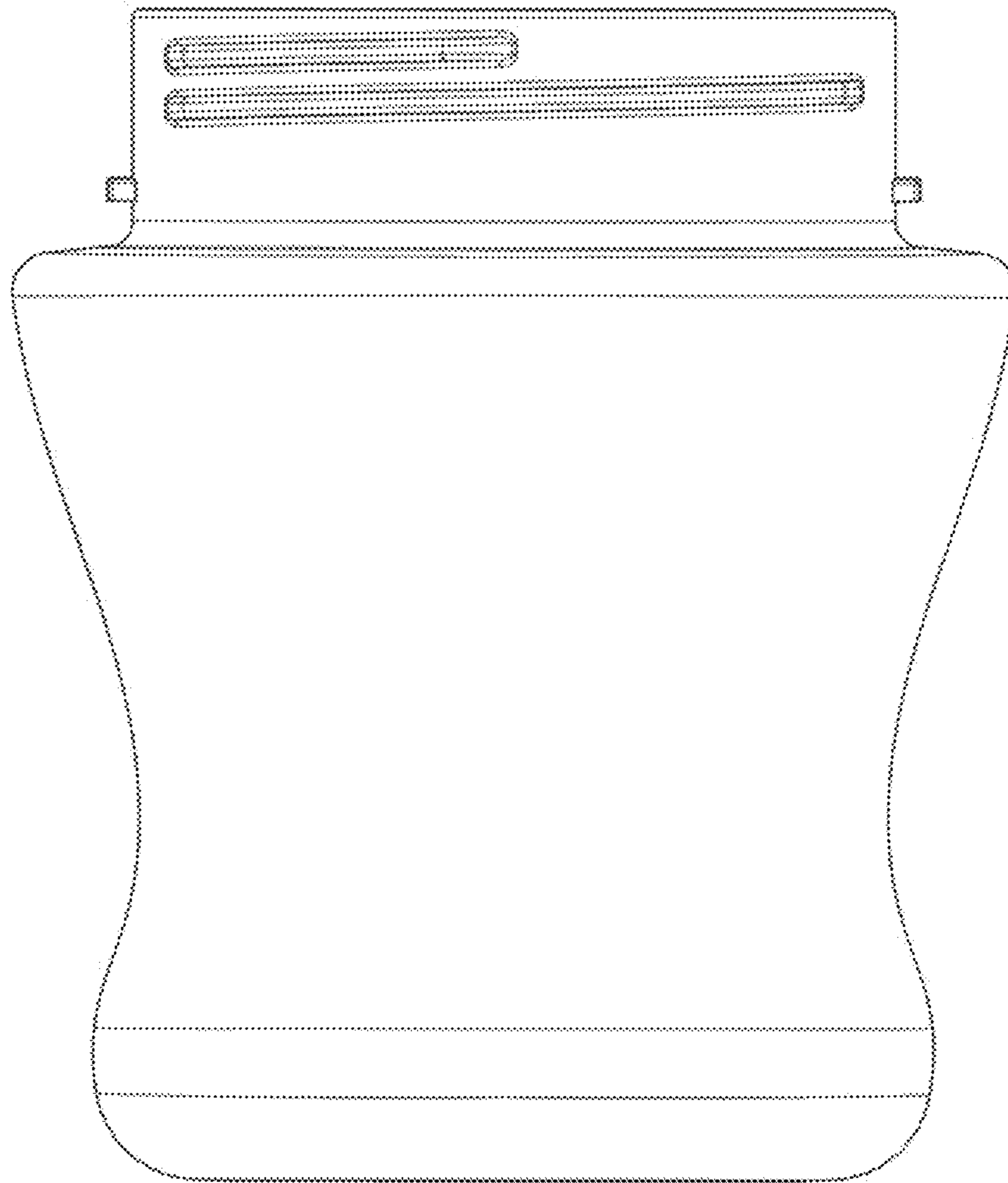
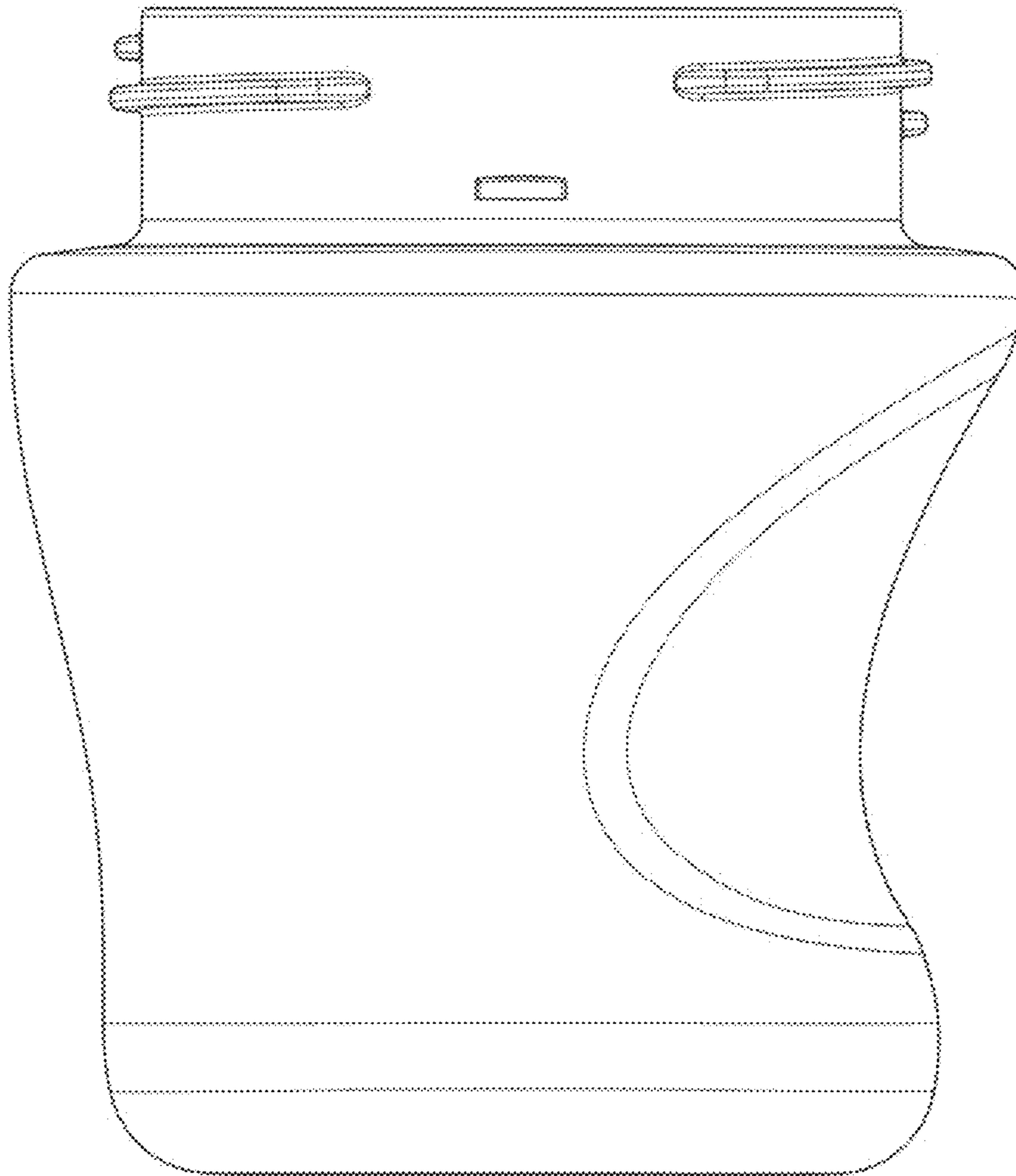
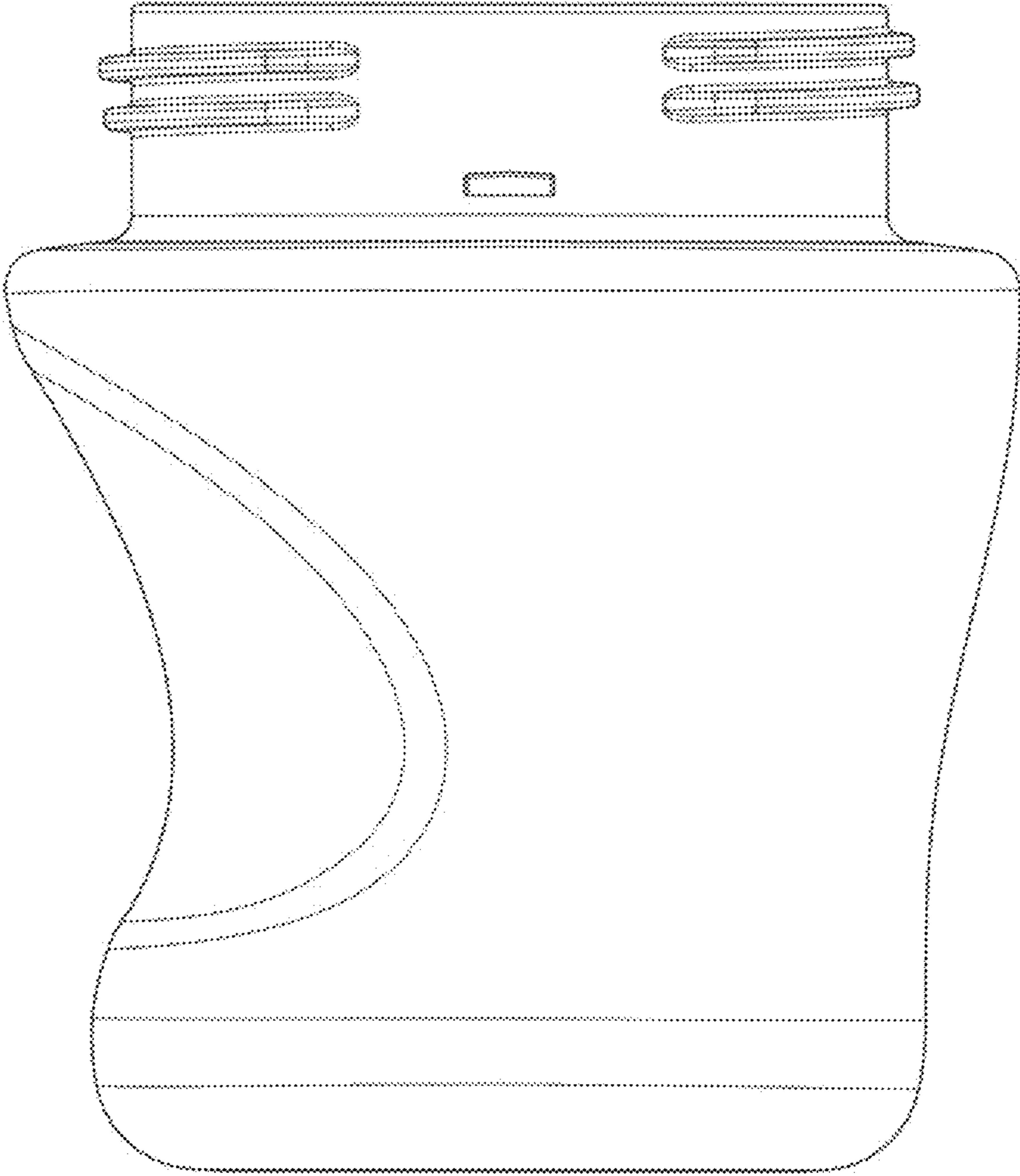


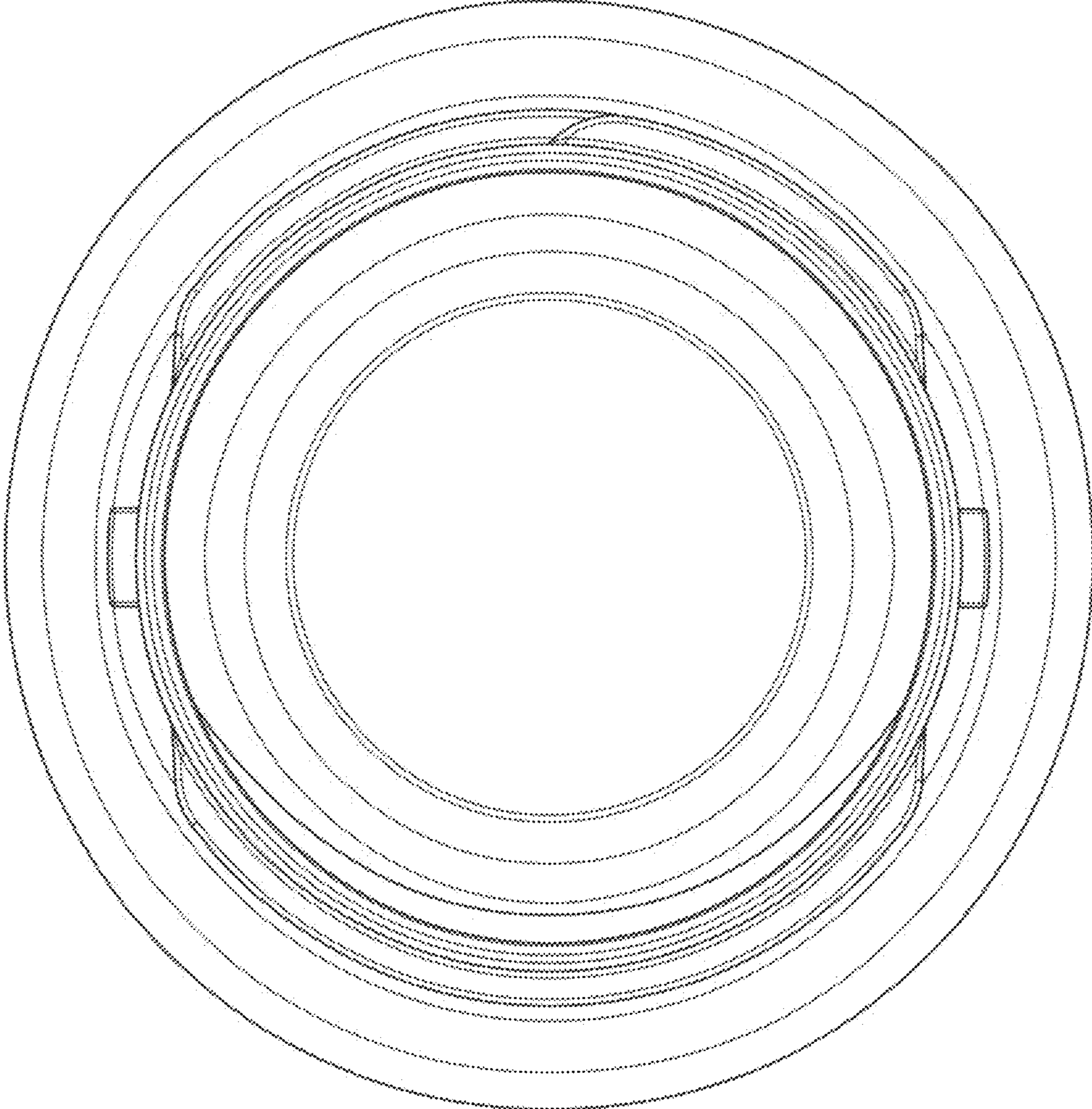
FIG. 3



**FIG. 4**

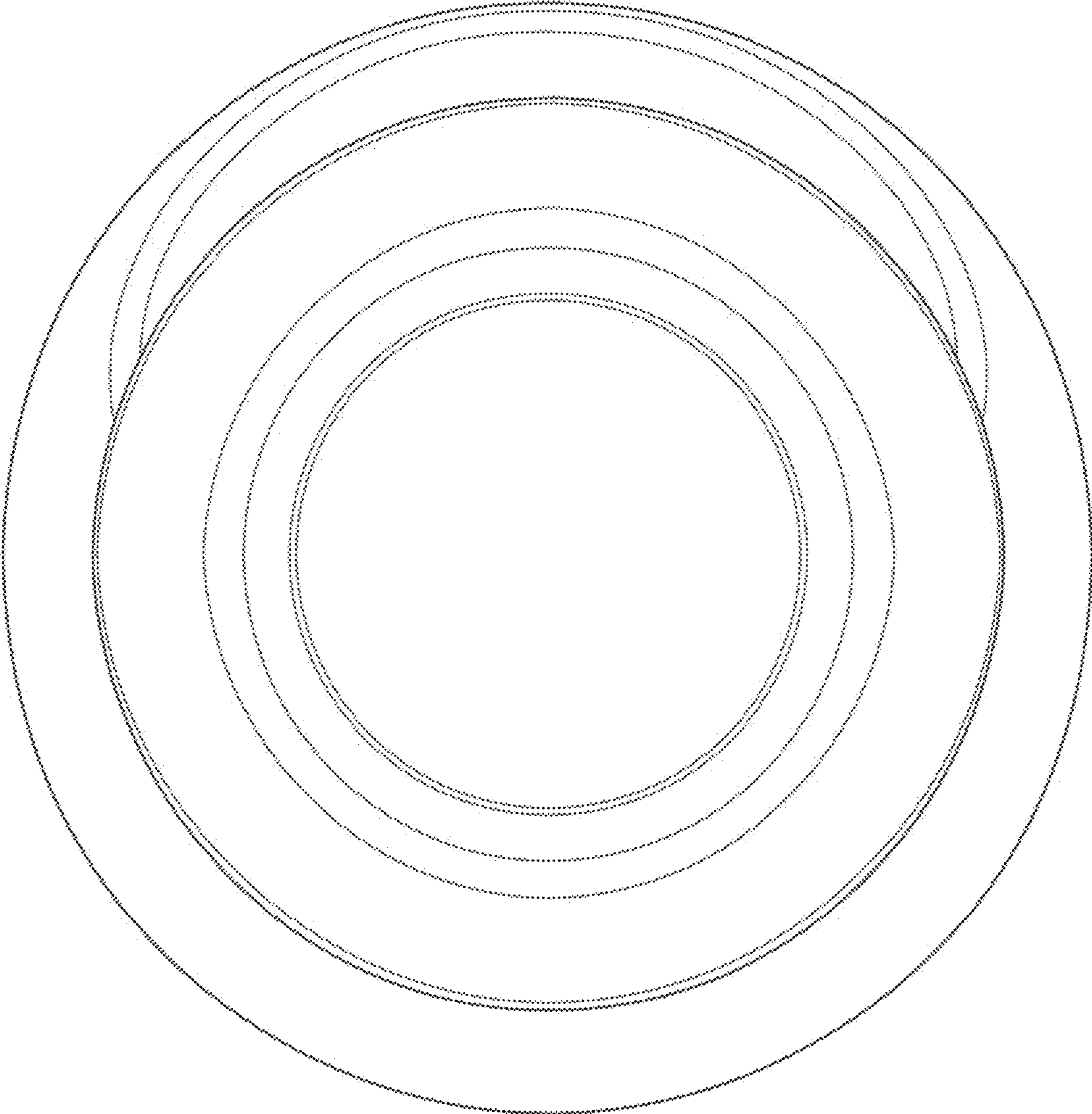


**FIG. 5**

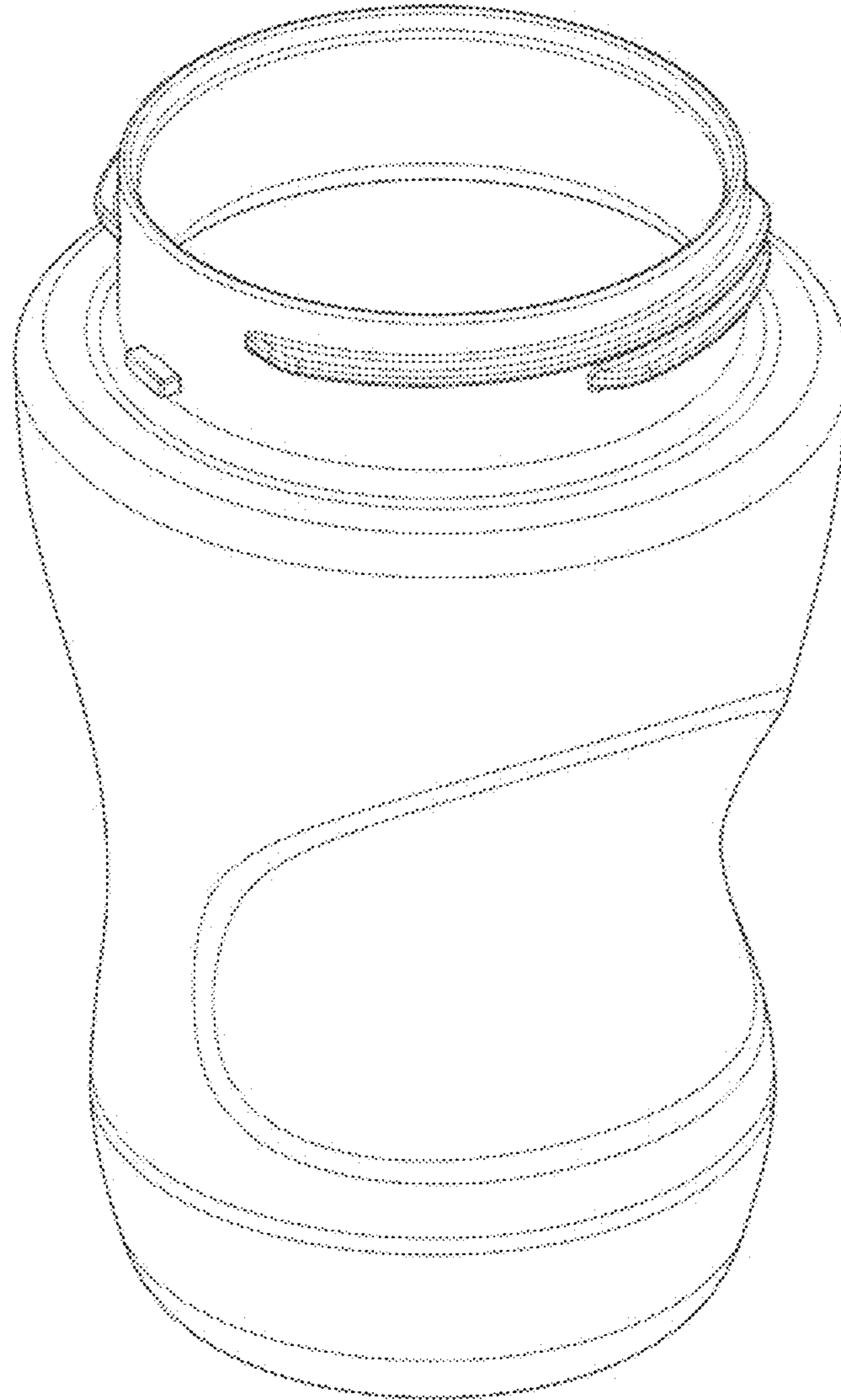


**FIG. 6**

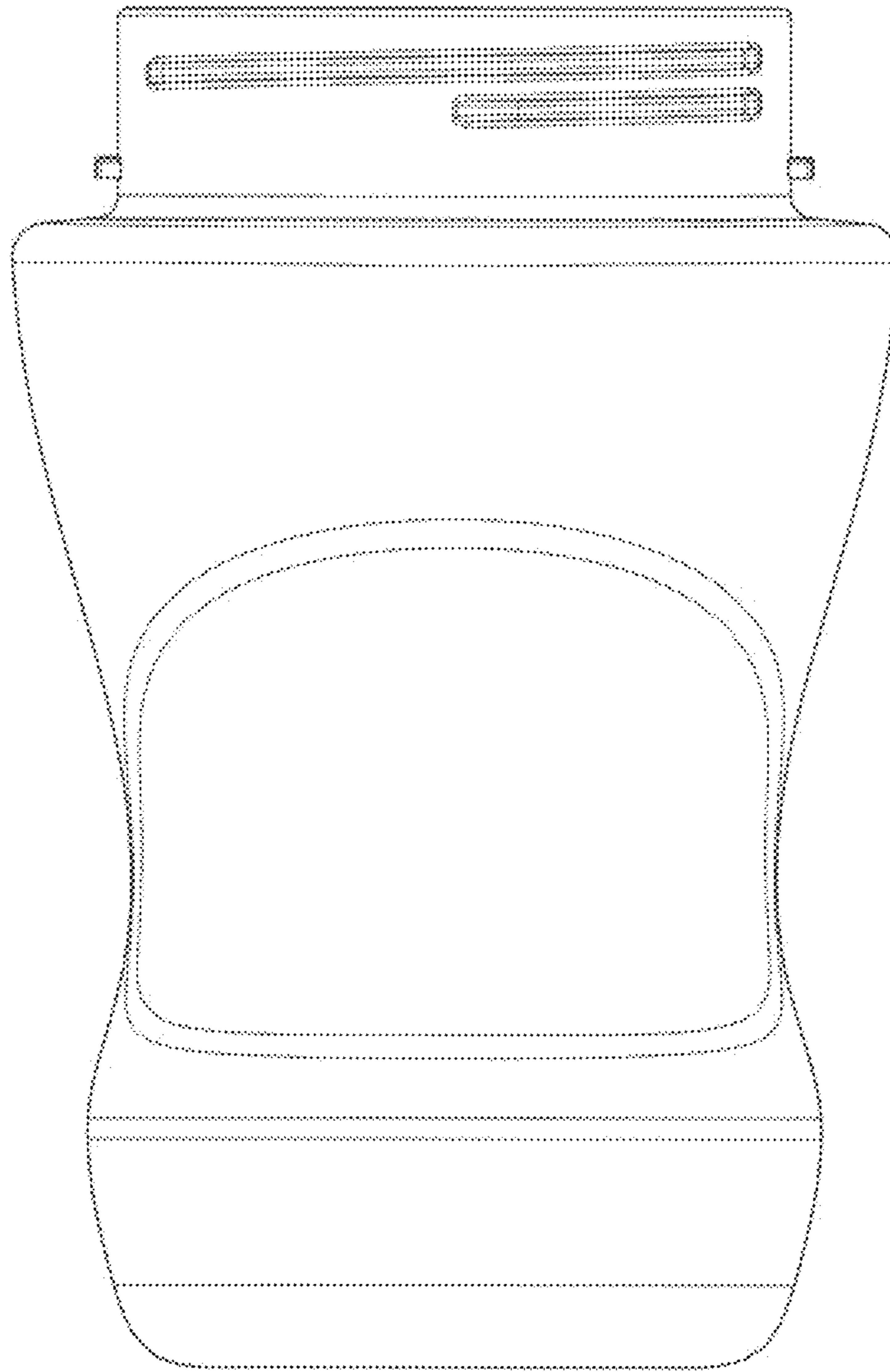




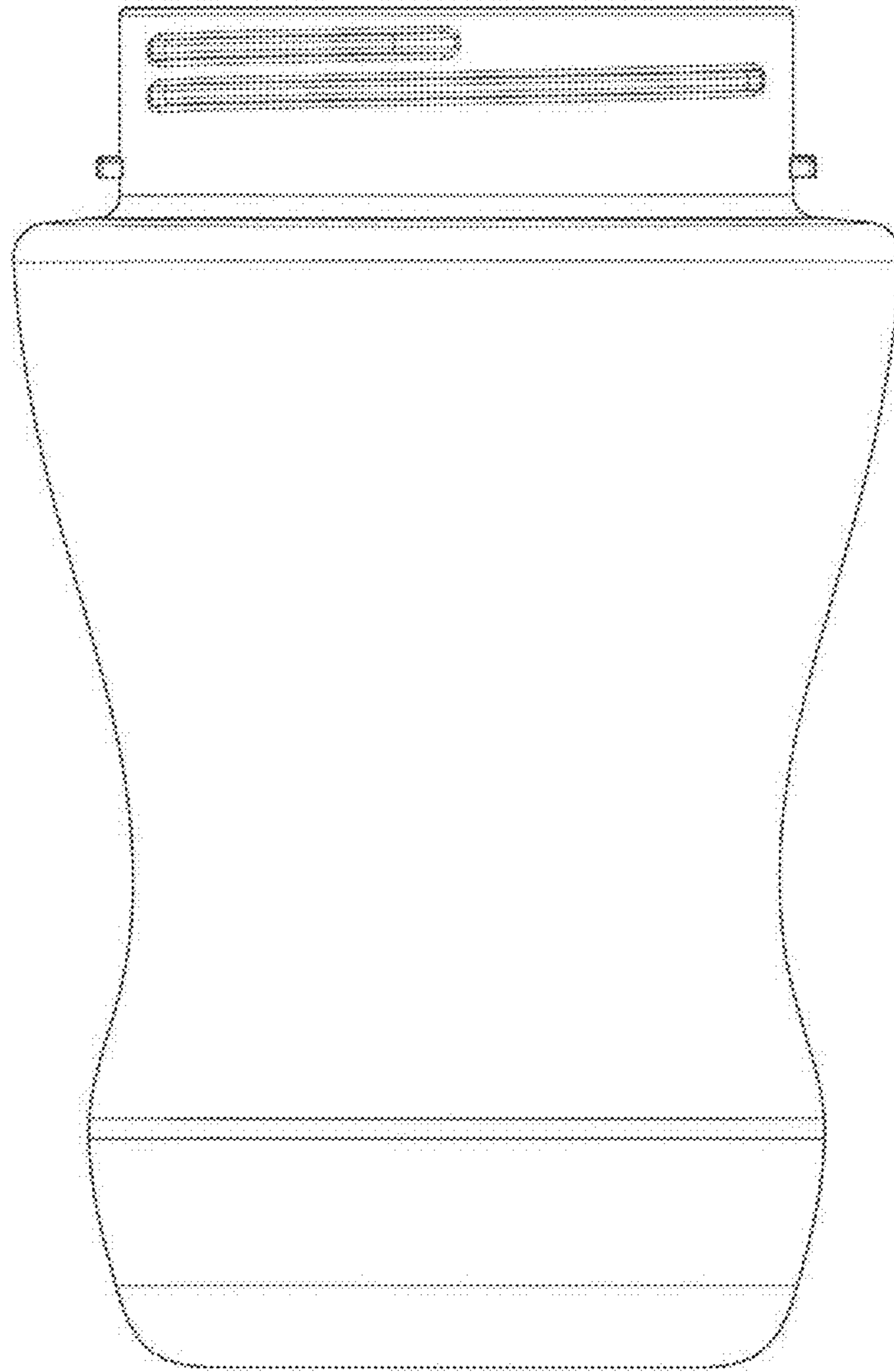
**FIG. 7**



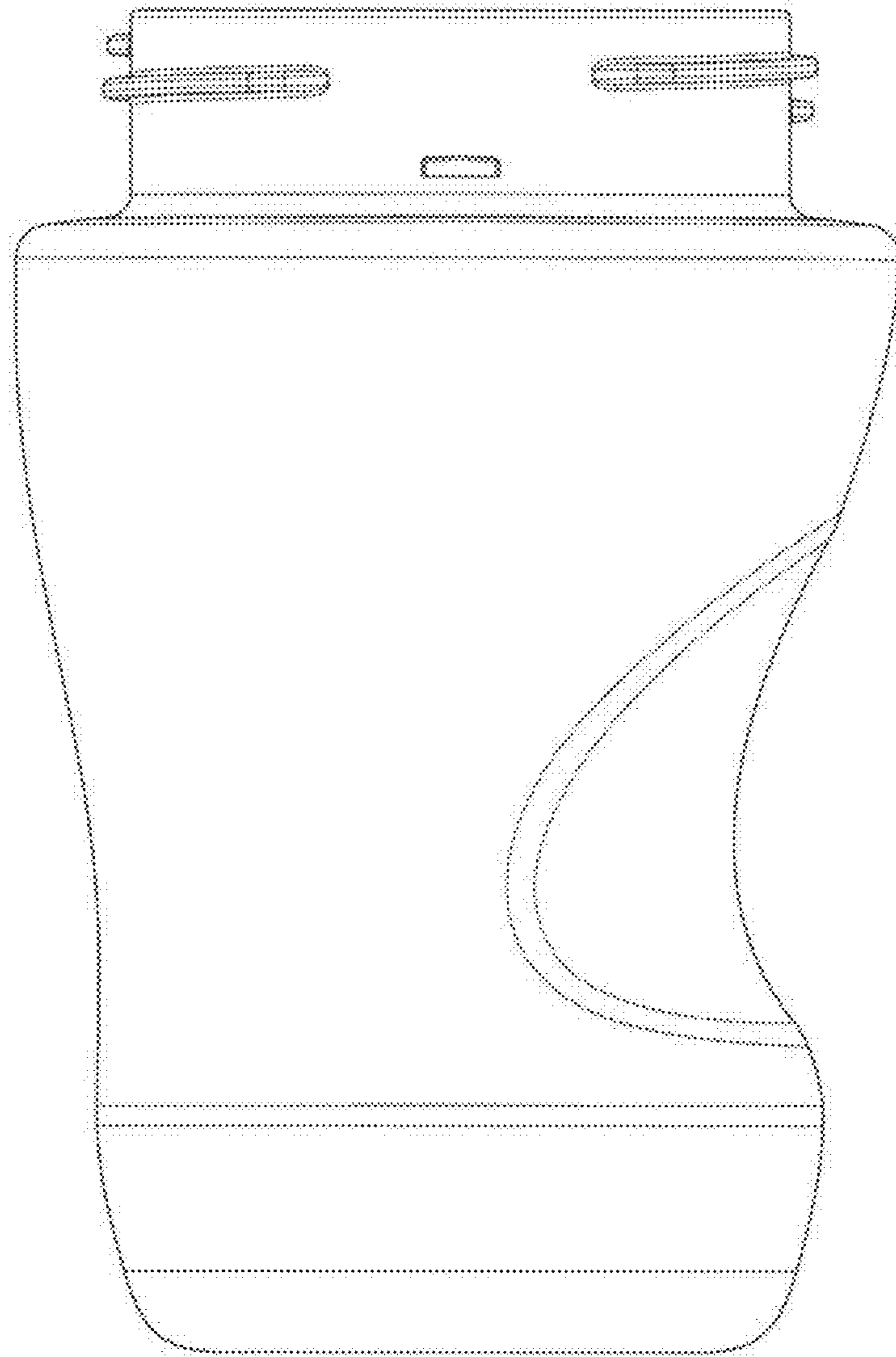
**FIG. 8**



**FIG. 9**



**FIG. 10**



**FIG. 11**

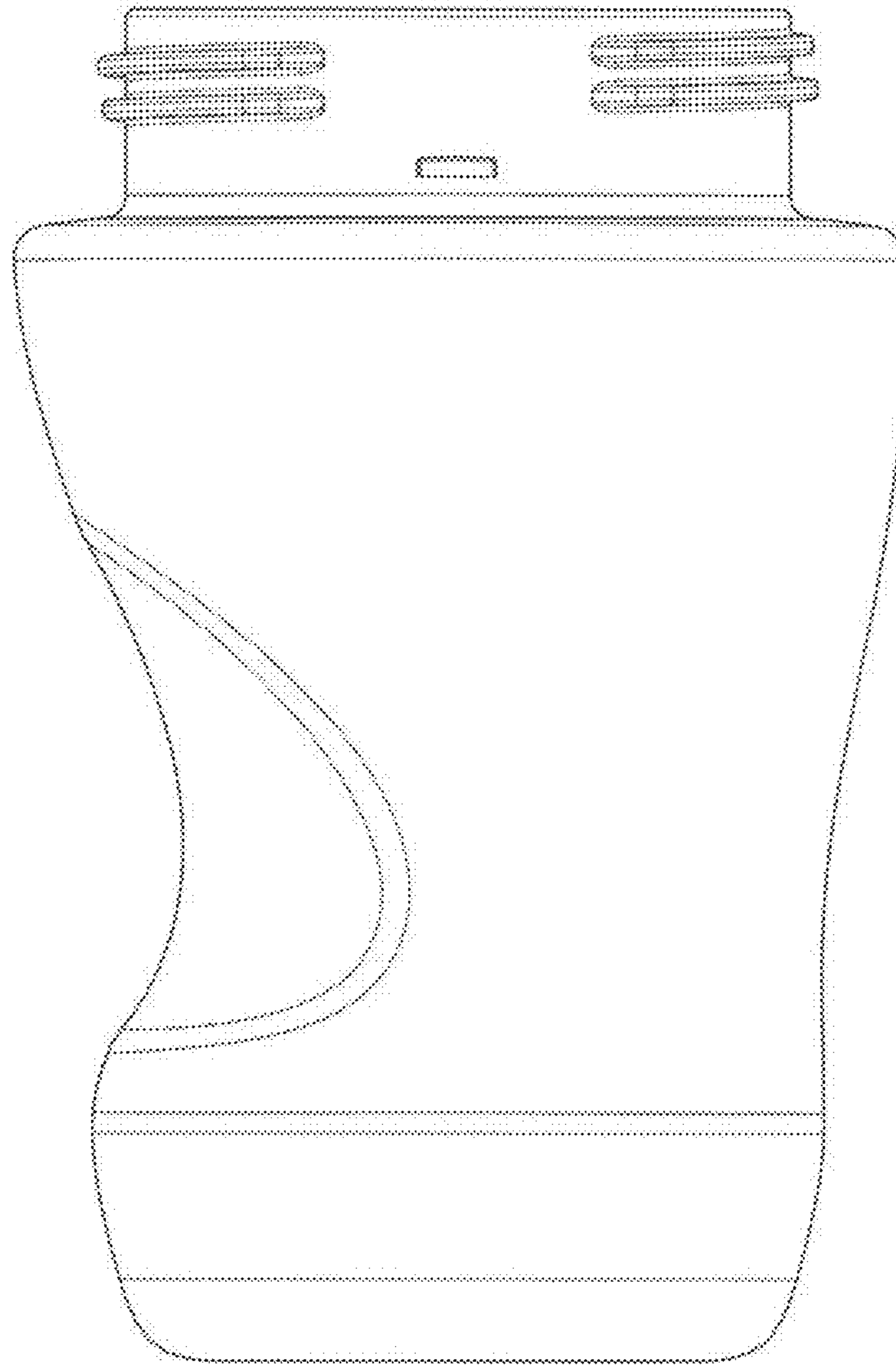


FIG. 12

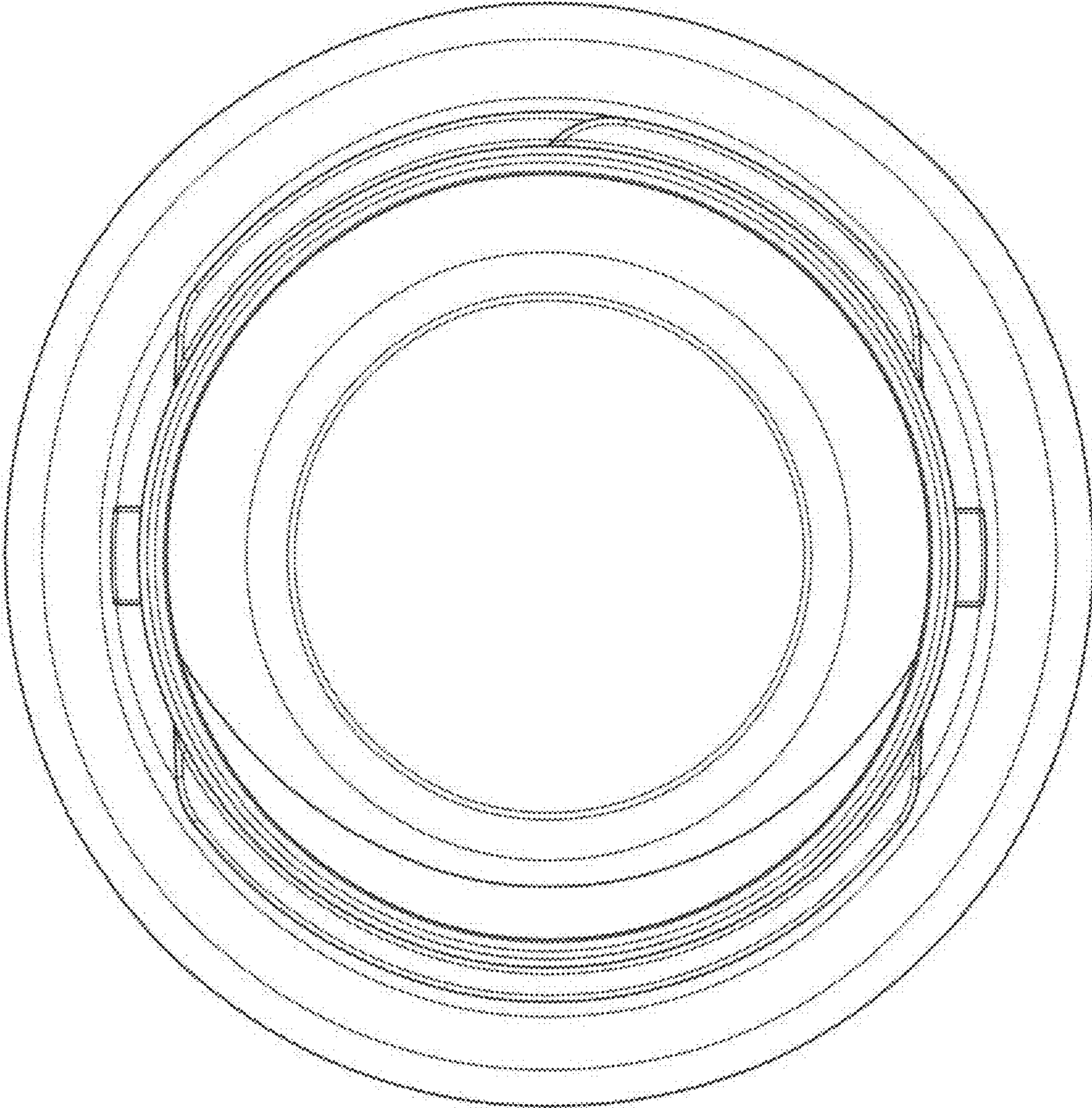
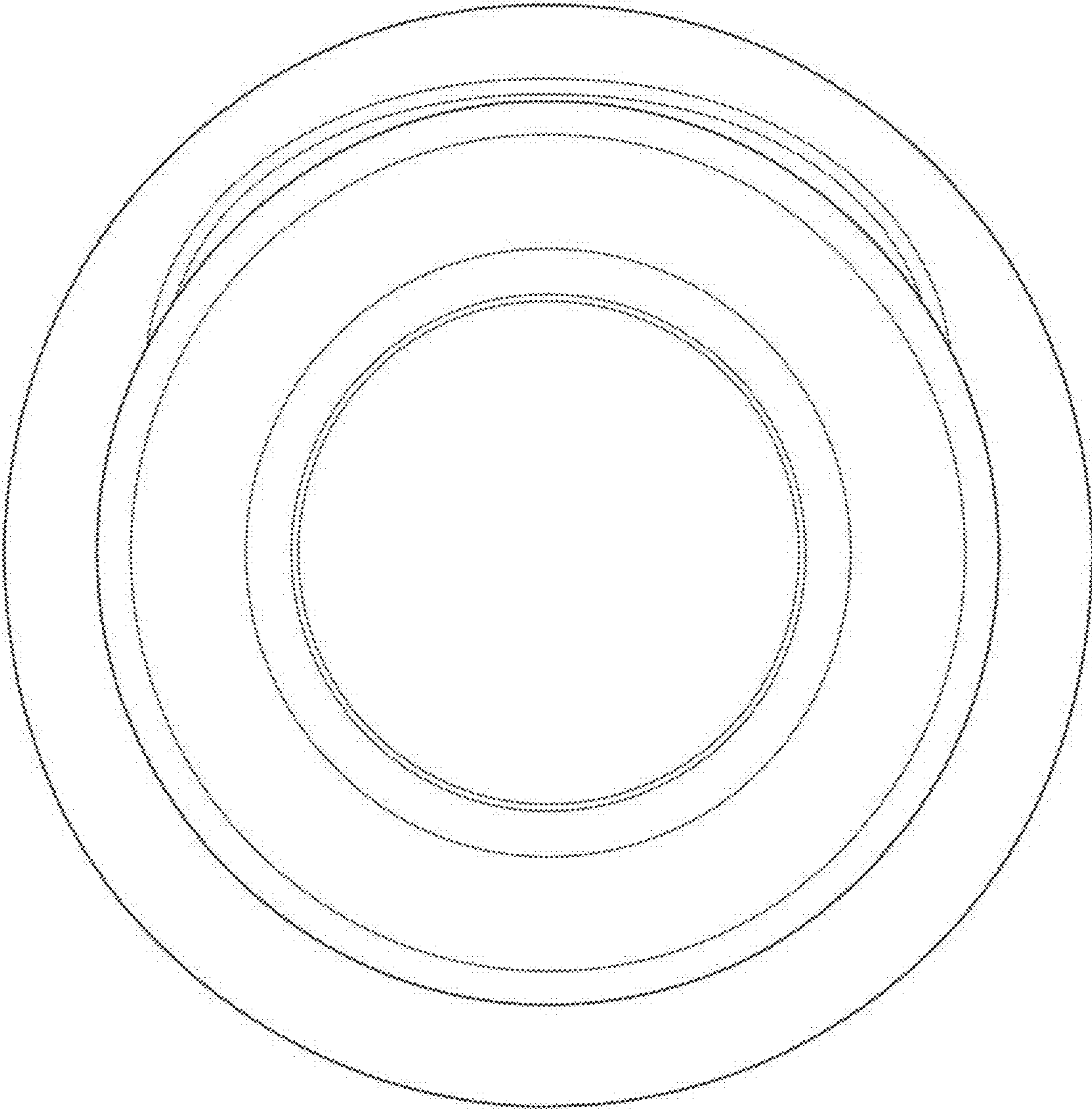


FIG. 13



**FIG. 14**