



US00D834371S

(12) **United States Design Patent** (10) **Patent No.:** **US D834,371 S**  
**Funnell, II et al.** (45) **Date of Patent:** **\*\* Nov. 27, 2018**

(54) **RANGE AND/OR COMPONENTS THEREOF**

CPC .. F24C 15/08; F24C 3/00; F24C 3/002; F24C 3/008; F24C 5/00; F24C 7/00; F24C 7/002; F24C 1/00; F24B 1/00; F24B 1/20; H05B 1/0261; H05B 1/0263; H05B 1/0266

(71) Applicant: **BSH Home Appliances Corporation**, Irvine, CA (US)

See application file for complete search history.

(72) Inventors: **Richard W. Funnell, II**, Corona del Mar, CA (US); **Jonathan Grey**, Huntersville, NC (US); **Graham Sadtler**, Huntington Beach, CA (US)

(56) **References Cited**

U.S. PATENT DOCUMENTS

(73) Assignee: **BSH Home Appliances Corporation**, Irvine, CA (US)

D13,093 S \* 7/1882 Luckner, Sr. .... D9/414  
1,910,336 A \* 5/1933 Hoffstetter ..... F24C 15/08  
126/304 R

(\*\*) Term: **15 Years**

(Continued)

(21) Appl. No.: **29/639,831**

*Primary Examiner* — Catherine R Oliver-Garcia  
(74) *Attorney, Agent, or Firm* — Michael E. Tschupp;  
Andre Pallapies; Brandon G. Braun

(22) Filed: **Mar. 9, 2018**

**Related U.S. Application Data**

(62) Division of application No. 29/594,305, filed on Feb. 17, 2017, now Pat. No. Des. 816,402, which is a division of application No. 29/547,486, filed on Dec. 4, 2015, now Pat. No. Des. 782,871, which is a division of application No. 29/506,163, filed on Oct. 14, 2014, now Pat. No. Des. 750,432, which is a division of application No. 29/471,872, filed on Nov. 6, 2013, now Pat. No. Des. 721,917, which is a division of application No. 29/450,597, filed on Mar. 20, 2013, now Pat. No. Des. 699,503, which is a division of application No. 29/426,705, filed on Jul. 10, 2012, now Pat. No. Des. 682,603, which is a division of application No. 29/398,034, filed on Jul. 26, 2011, now Pat. No. Des. 669,728.

(57) **CLAIM**

The ornamental design for a range and/or components thereof, as shown and described.

(51) **LOC (11) Cl.** ..... **07-99**

(52) **U.S. Cl.**  
USPC ..... **D7/402**

**DESCRIPTION**

FIG. 1 is a front perspective view of a foot for a range according to our new ornamental design; FIG. 2 is a front view thereof, with the left, right and rear sides being identical; FIG. 3 is a top view thereof; and, FIG. 4 is a bottom view thereof.

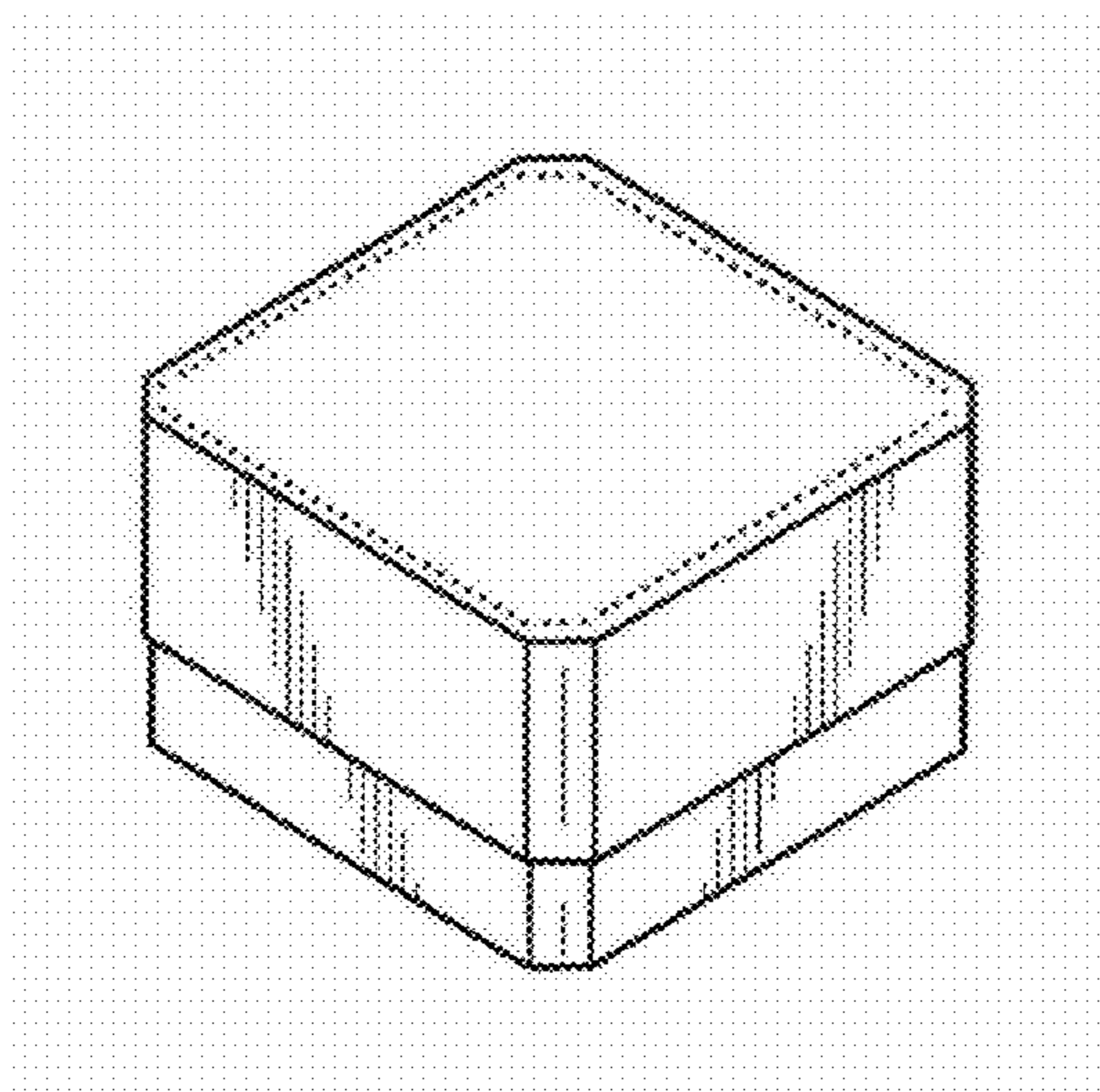
(58) **Field of Classification Search**  
USPC ..... D7/402-408, 323, 339-341, 346-349; 126/39 R, 39 F, 39 C, 39 B, 211, 214 R; 219/391-392, 395; D3/901, 903; D9/337, 414, 418, 423, 432; 206/301, 206/524.3, 566, 594

The broken lines represent environment or structure of the kitchen appliance and do not form any part of the claimed design.

The dotted lines (e.g., in FIGS. 1, 3 and 6) represent the border between claimed and unclaimed subject matter and form no part of the claimed design.

Throughout the drawings, various views may not be provided, as the components in these views are unornamented or the ornamentation in these views is simply unclaimed.

**1 Claim, 1 Drawing Sheet**



(56)

**References Cited**

U.S. PATENT DOCUMENTS

D332,399 S *	1/1993	Neff .....	D9/423
D387,982 S *	12/1997	Kaplan .....	D9/418
D493,107 S *	7/2004	Bergne .....	D3/294
D699,503 S *	2/2014	Funnell, II .....	D7/340
D764,799 S *	8/2016	Ball .....	D3/302
D784,486 S *	4/2017	Calzada .....	D22/119
D808,707 S *	1/2018	Kim .....	D7/340
D818,303 S *	5/2018	Kim .....	D7/340

\* cited by examiner

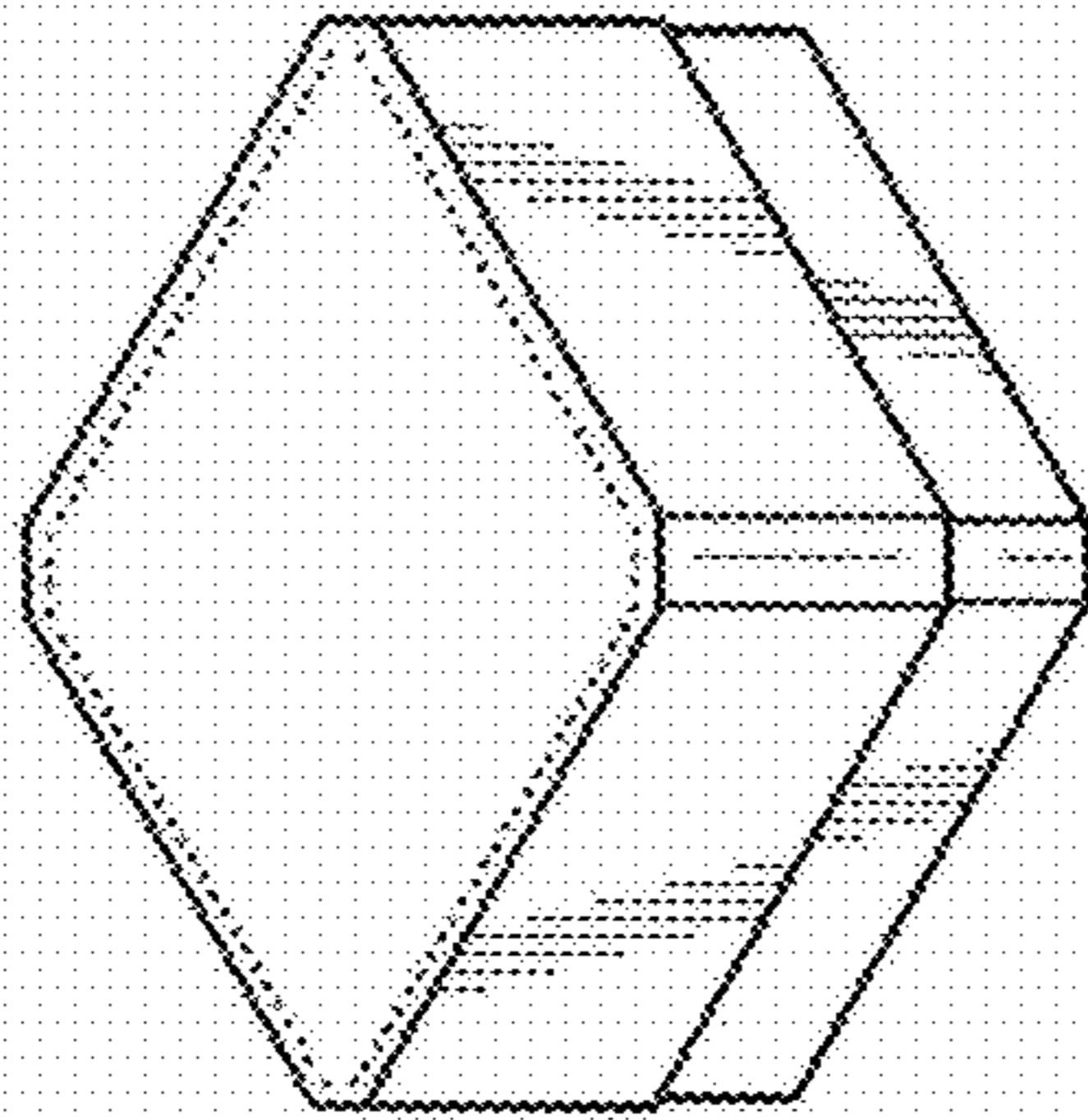


Fig. 1

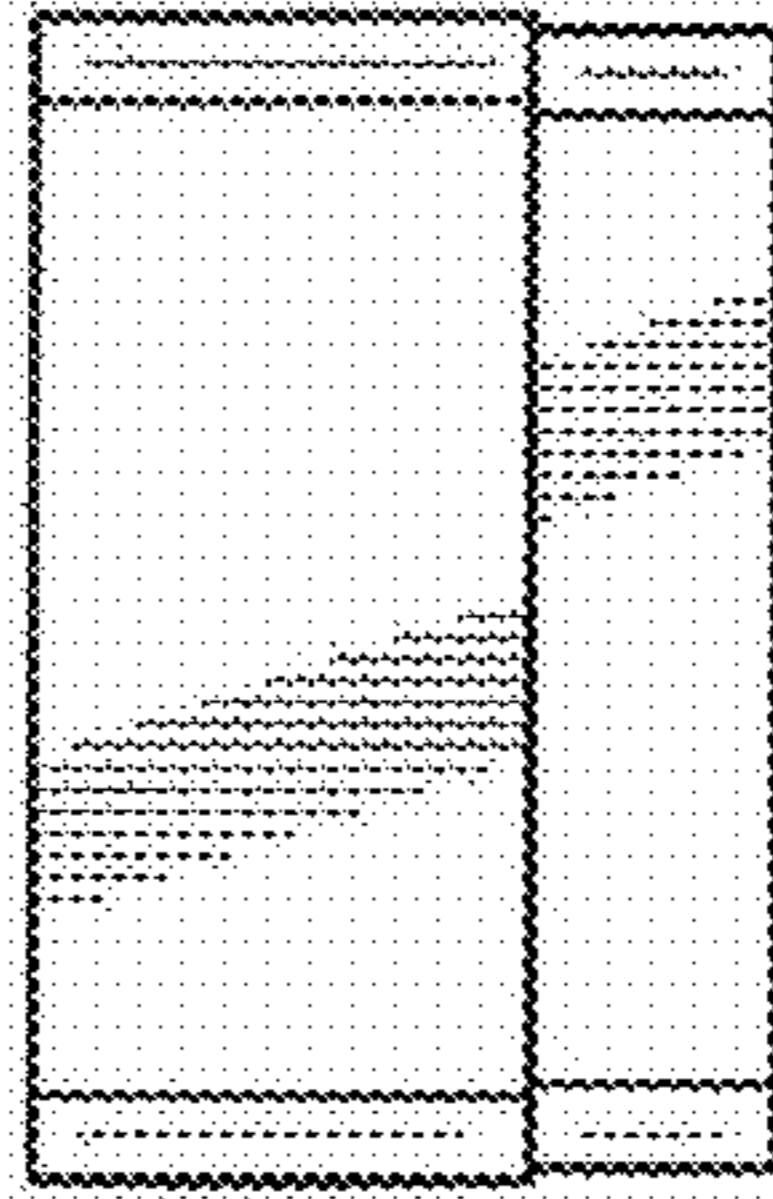


Fig. 2

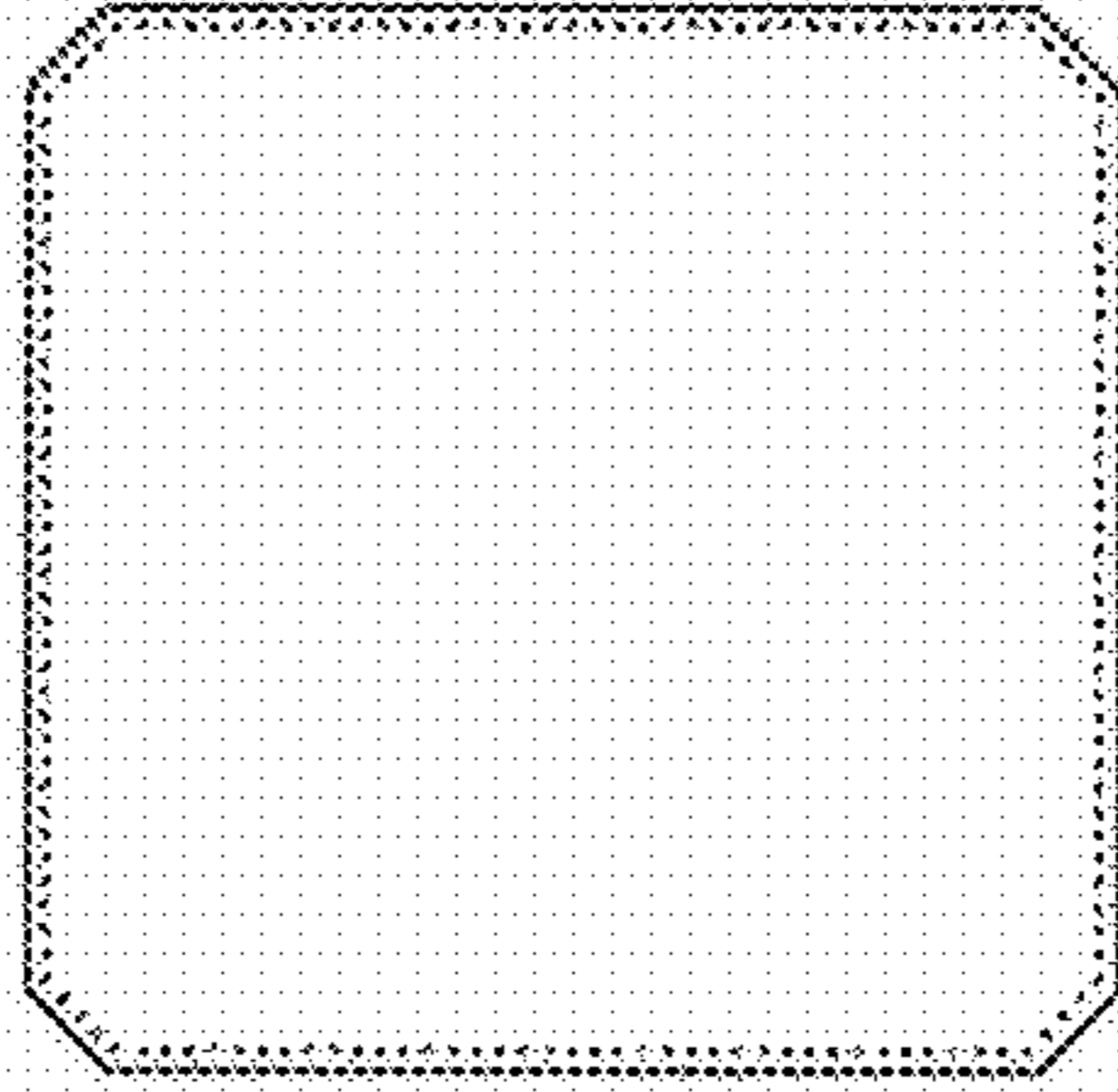


Fig. 3

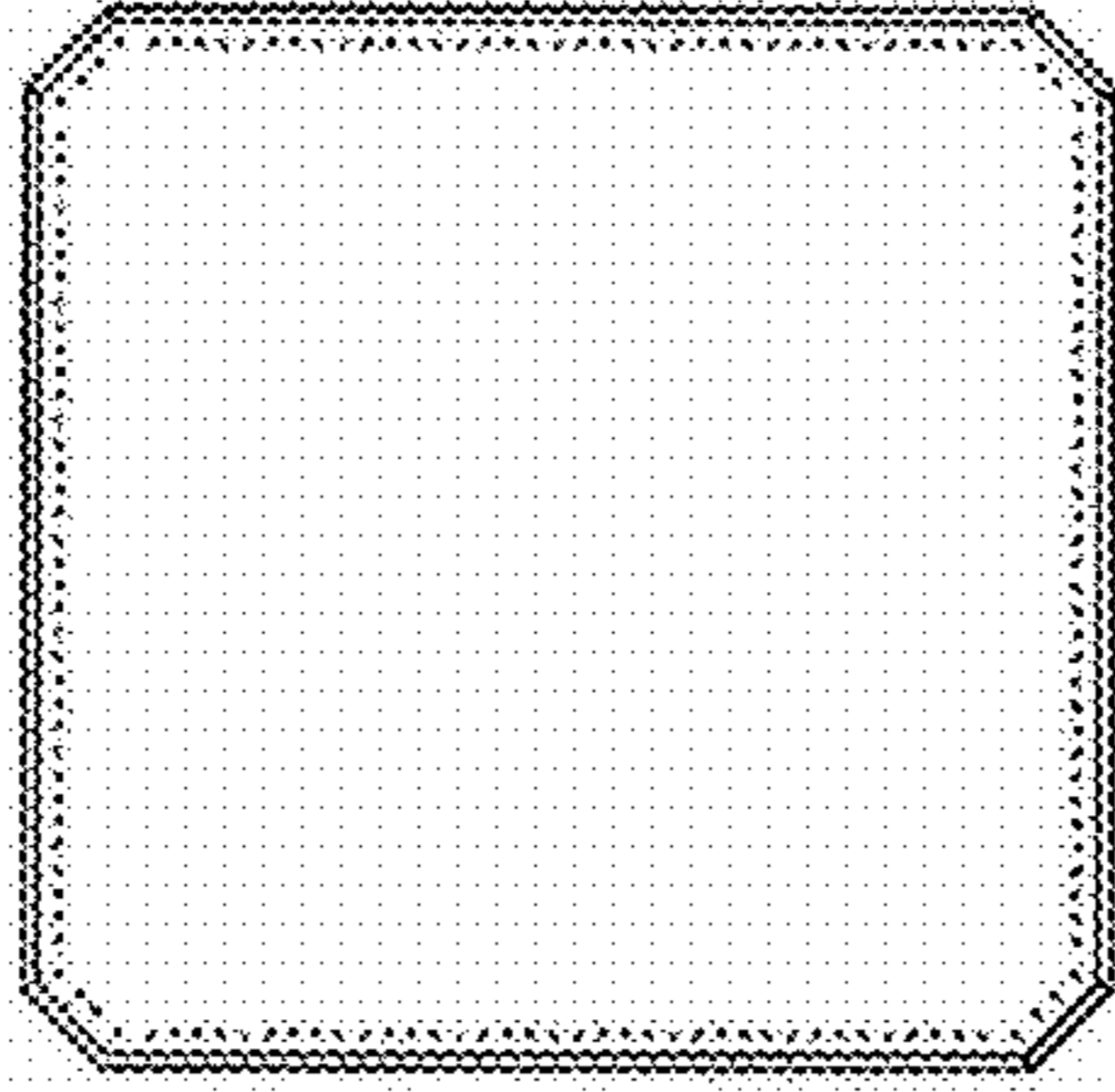


Fig. 4