



US00D834370S

(12) **United States Design Patent**
Seehoff et al.

(10) **Patent No.:** **US D834,370 S**

(45) **Date of Patent:** **** Nov. 27, 2018**

(54) **UTENSIL**

(71) Applicants: **Gary S. Seehoff**, Laguna Beach, CA
(US); **Daniel Seehoff**, Laguna Beach,
CA (US)

(72) Inventors: **Gary S. Seehoff**, Laguna Beach, CA
(US); **Daniel Seehoff**, Laguna Beach,
CA (US)

(73) Assignee: **Sophistiplate LLC**, Laguna Beach, CA
(US)

(**) Term: **15 Years**

(21) Appl. No.: **29/613,382**

(22) Filed: **Aug. 9, 2017**

(51) **LOC (11) Cl.** **07-03**

(52) **U.S. Cl.**
USPC **D7/401.2; D7/642; D7/653**

(58) **Field of Classification Search**
USPC D7/368, 395, 401.2, 642-645, 653-664,
D7/669, 675-677, 683, 688-689, 691;
D8/107, 300-301; D22/117-118
CPC ... A01D 9/02; A01D 9/04; A01D 9/06; A47G
21/00; A47G 21/004; A47G 21/005;
A47G 21/02; A47G 21/023; A47G 21/04;
A47G 21/06; A47G 21/08; A47J 43/28;
A47J 43/281; A47J 43/282; A61F 13/10;
A61J 7/0023; B25G 1/00; B25G 1/01;
B25G 1/02; B25G 3/00; B65D 75/56;
B65D 75/563; B65D 75/566; B67B 7/00;
B67B 7/724; B67B 7/73

See application file for complete search history.

(56) **References Cited**

U.S. PATENT DOCUMENTS

D39,250 S * 4/1908 Seib 30/324
2,334,535 A * 11/1943 Bandell A47G 21/02
30/123

D181,860 S * 1/1958 Edwards D7/653
D198,506 S * 6/1964 Stephensen D7/653
D242,760 S * 12/1976 Jensen D7/642
D309,695 S * 8/1990 Bonasia D7/642
D310,465 S * 9/1990 Bonasia D7/642
D386,050 S * 11/1997 Puri D7/642
D419,376 S * 1/2000 Lai D7/401.2
D544,317 S * 6/2007 Shane-Schuldt D7/653
D548,020 S * 8/2007 Verde D7/653
D738,693 S * 9/2015 Thonis D7/401.2
2002/0092181 A1 * 7/2002 Choi A47G 21/02
30/324

* cited by examiner

Primary Examiner — Ricky Pham

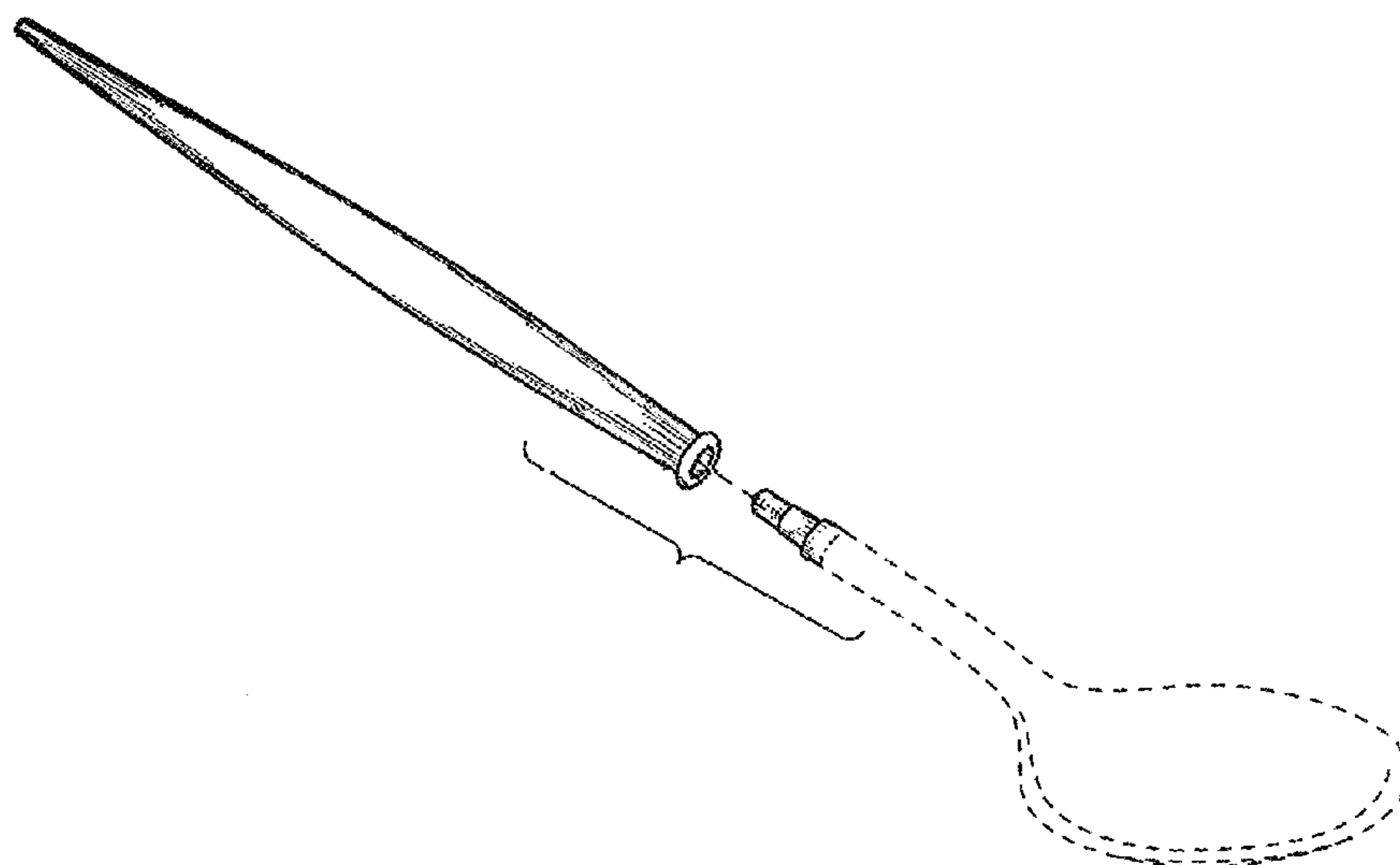
(57) **CLAIM**

The ornamental design for a utensil, as shown and described.

DESCRIPTION

FIG. 1 is a front perspective view of a utensil with attached handle showing the new design;
FIG. 2 is a front perspective view of the utensil with the handle shown detached;
FIG. 3 is a rear perspective view of the utensil with the handle shown detached;
FIG. 4 is a front view of the utensil with attached handle;
FIG. 5 is a rear view of the utensil with attached handle;
FIG. 6 is a left view of the utensil with attached handle;
FIG. 7 is a right view of the utensil with attached handle;
FIG. 8 is a top view of the utensil with attached handle;
FIG. 9 is a bottom view of the utensil with attached handle;
FIG. 10 is a side cross-sectional view taken through line 10-10 of the utensil with attached handle of FIG. 1; and,
FIG. 11 is a side cross-sectional view taken through line 11-11 of the utensil with detached handle of FIG. 2.
The broken lines showing portions of the article are included for the purpose of illustrating environmental structure and form no part of the claimed design.

1 Claim, 4 Drawing Sheets



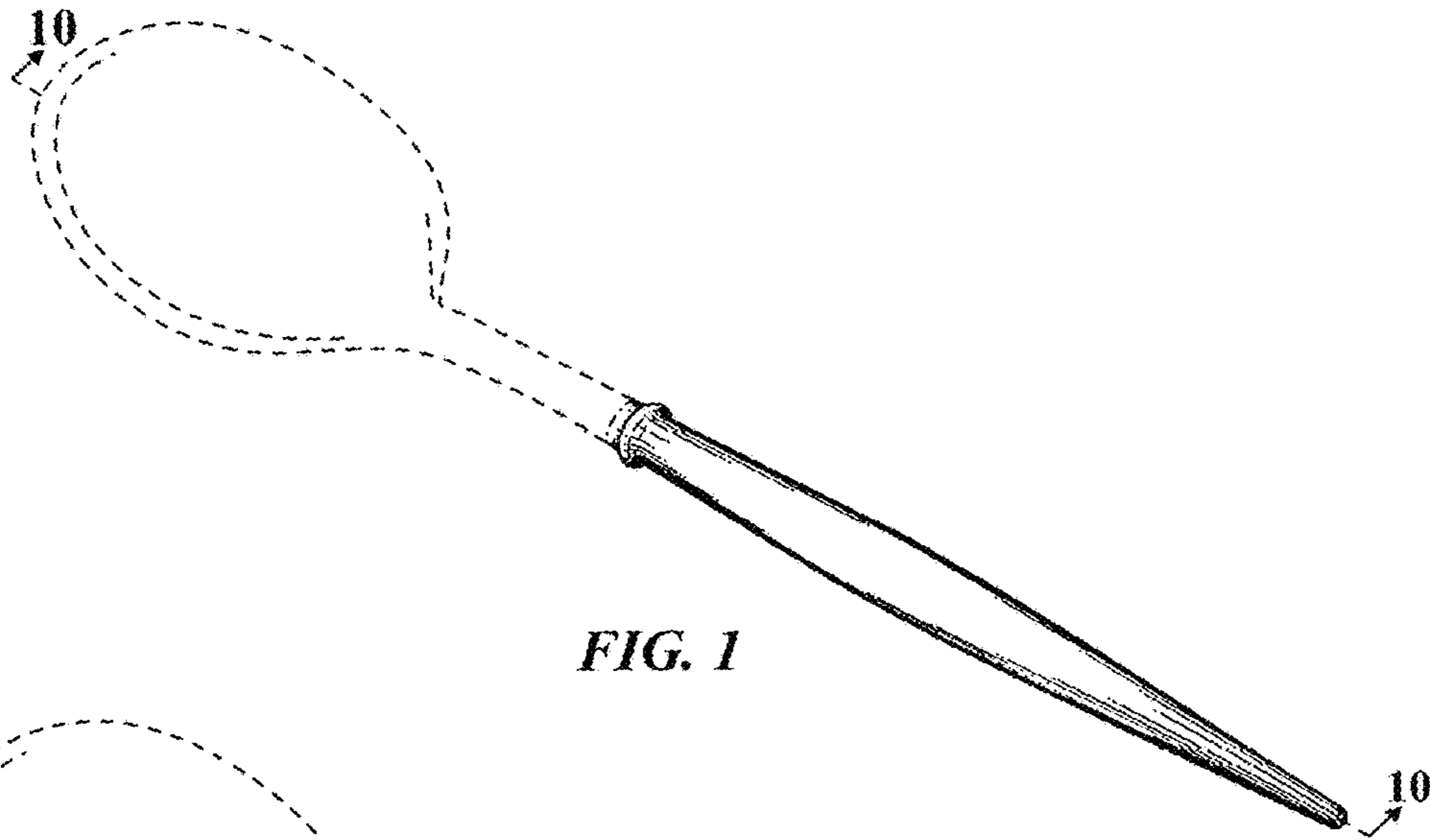


FIG. 1

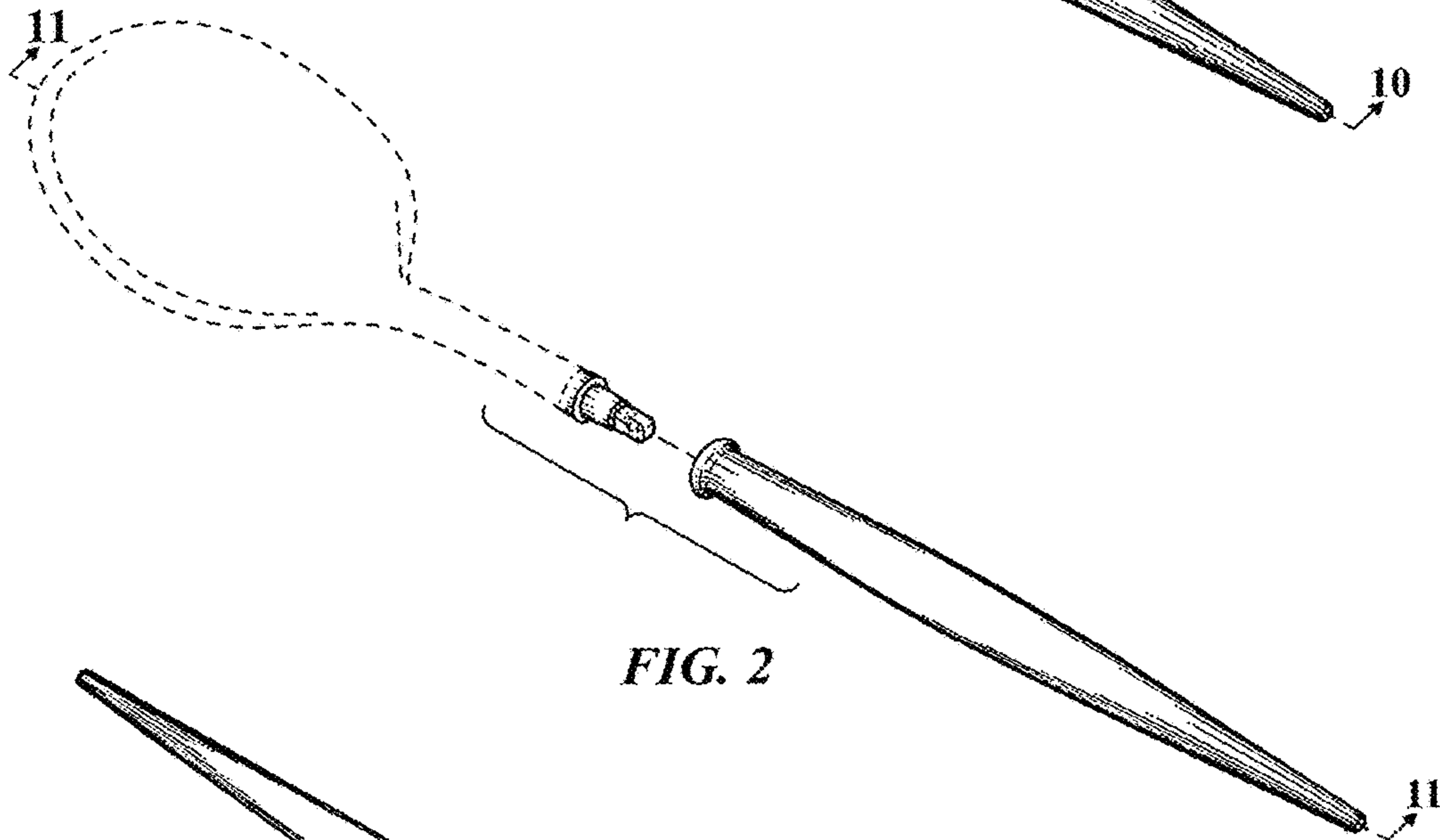


FIG. 2

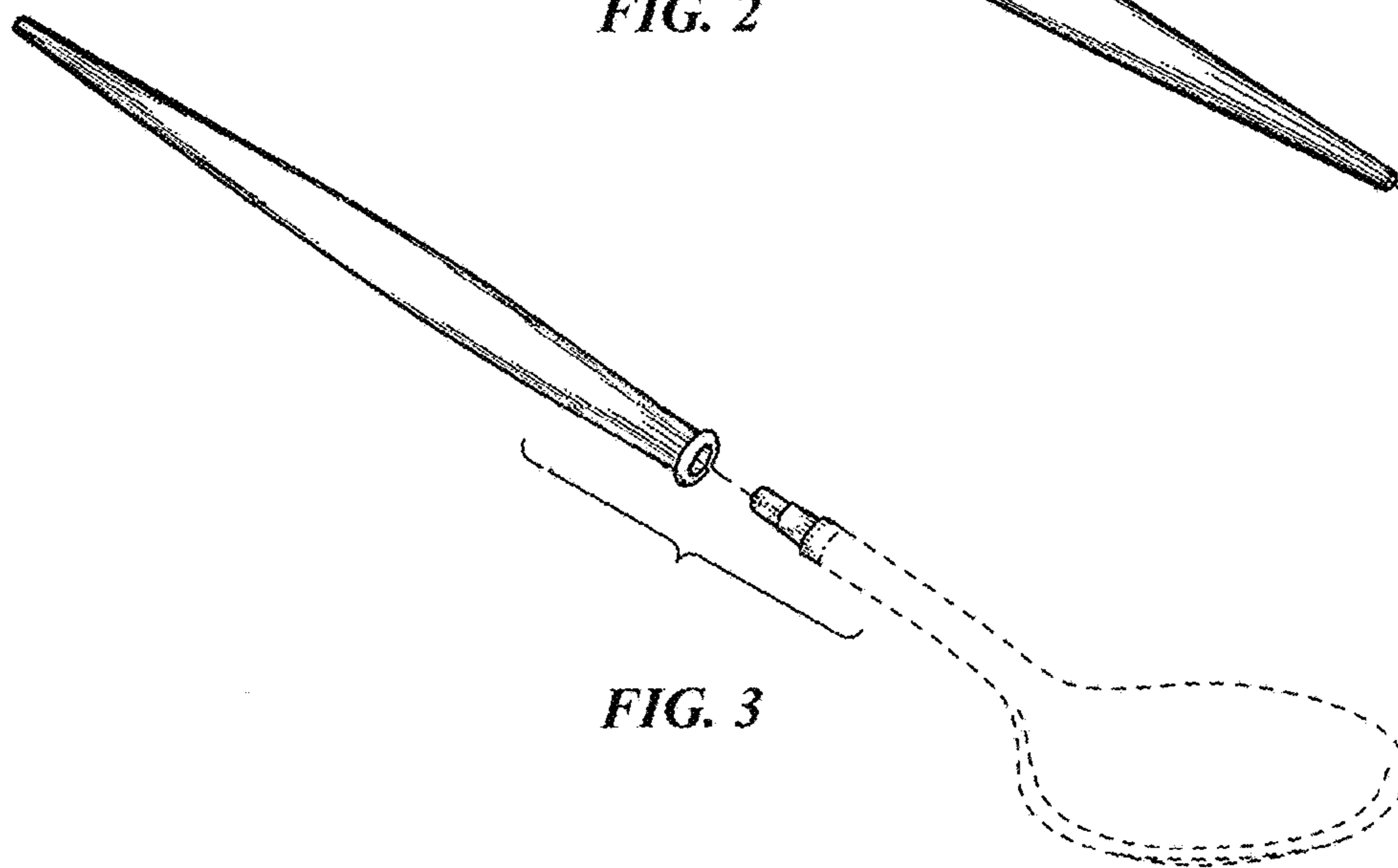


FIG. 3

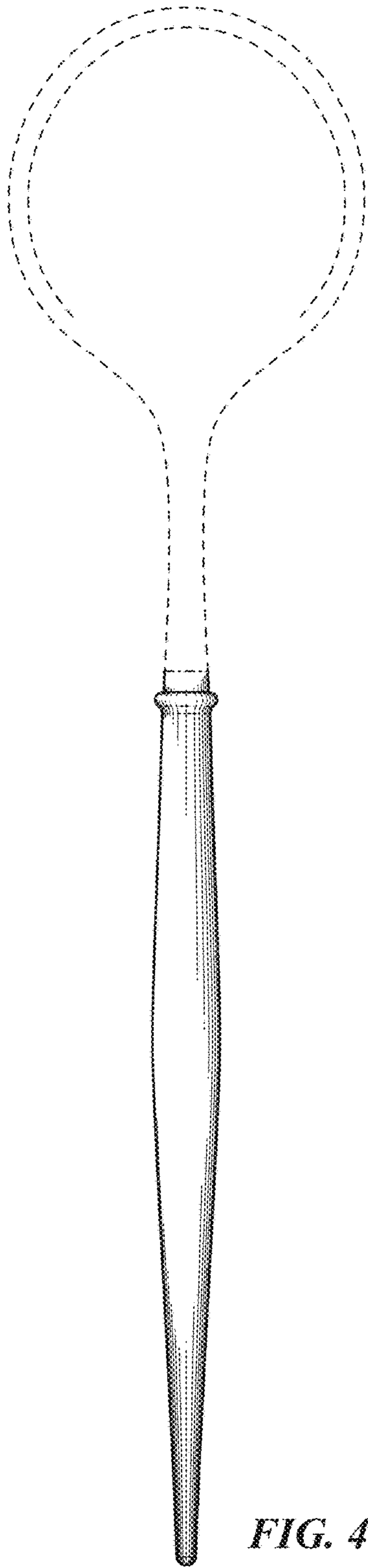


FIG. 4

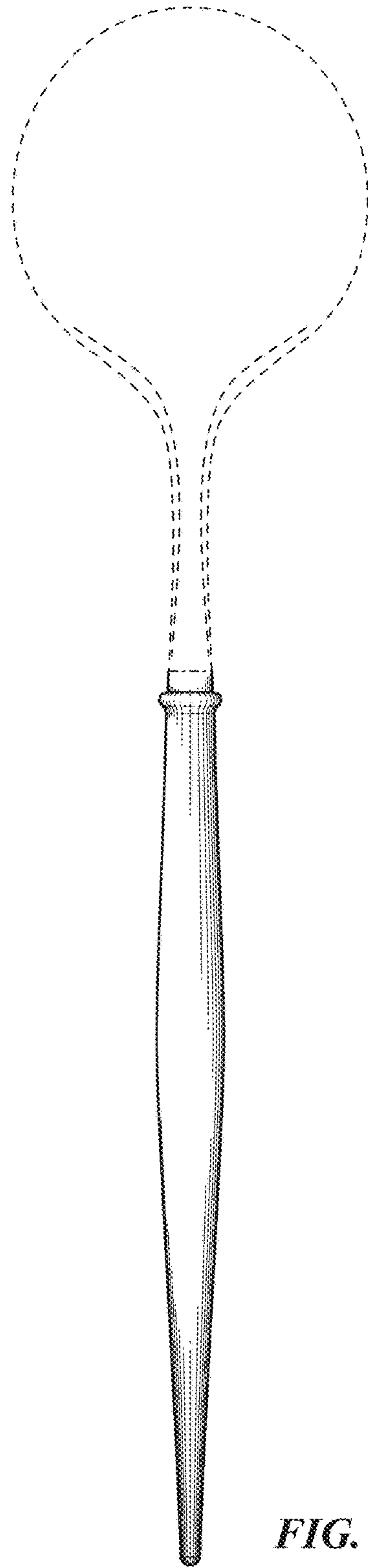


FIG. 5

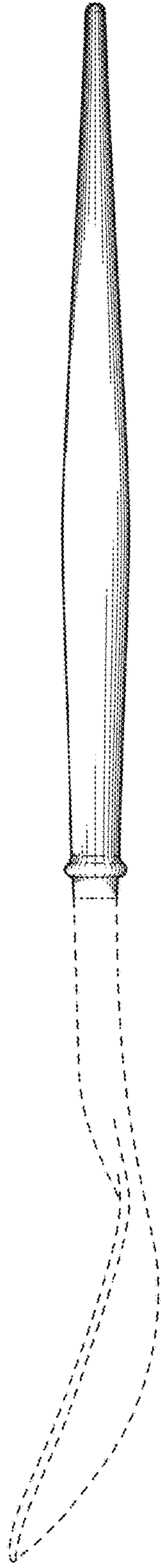


FIG. 6

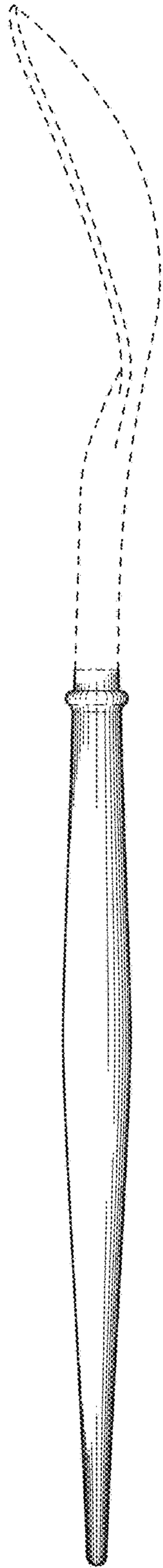


FIG. 7

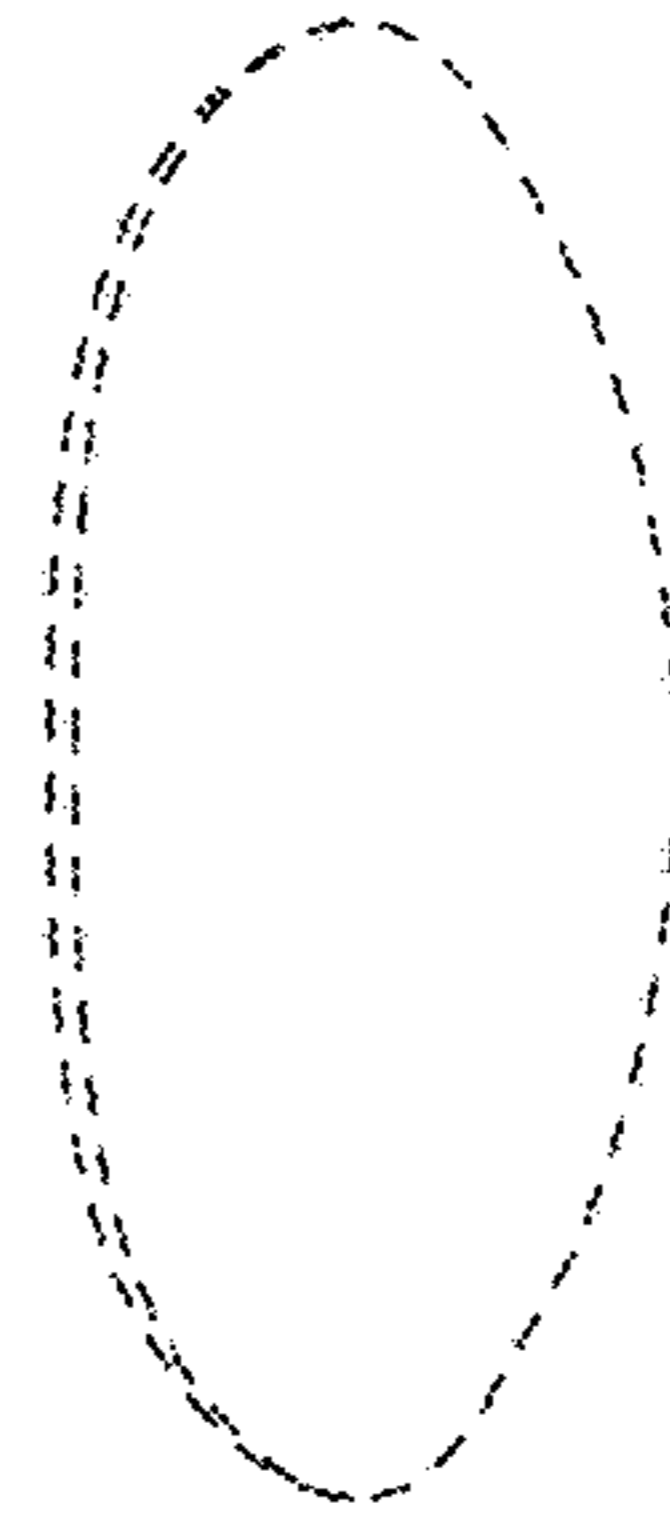


FIG. 8

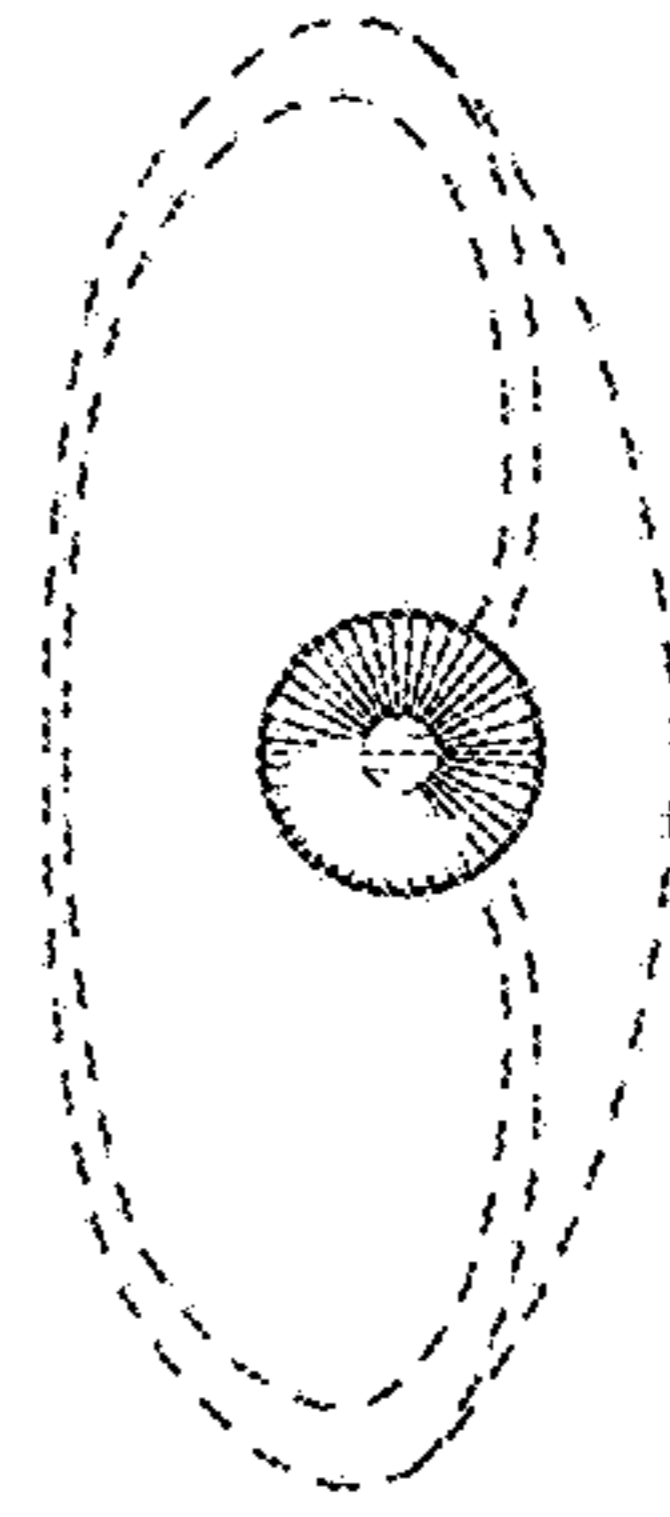


FIG. 9

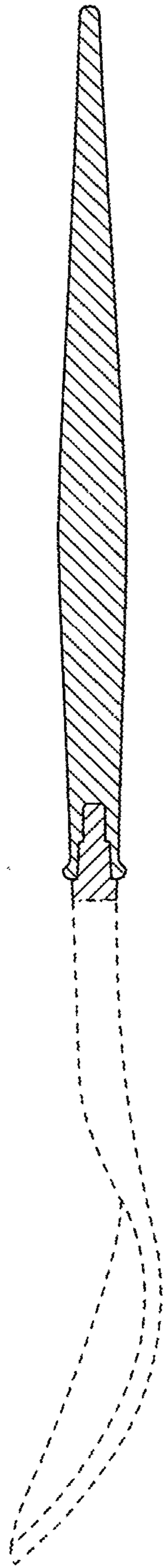


FIG. 10

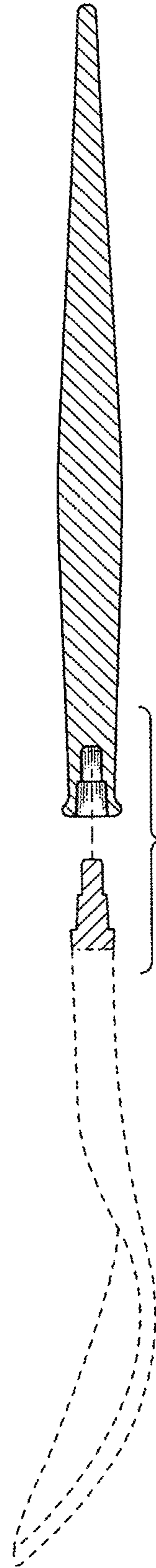


FIG. 11