



US00D834369S

(12) **United States Design Patent** (10) **Patent No.:** **US D834,369 S**  
**Gettig** (45) **Date of Patent:** **\*\* Nov. 27, 2018**

- (54) **UTENSIL HANDLE**
- (71) Applicant: **Jason Gettig**, Atlanta, GA (US)
- (72) Inventor: **Jason Gettig**, Atlanta, GA (US)
- (\*\*) Term: **15 Years**
- (21) Appl. No.: **29/590,581**
- (22) Filed: **Jan. 11, 2017**
- (51) **LOC (11) Cl.** ..... **07-99**
- (52) **U.S. Cl.**  
USPC ..... **D7/401.2**
- (58) **Field of Classification Search**  
USPC ..... D7/642-654, 662, 664, 666, 669, 672,  
D7/673, 676, 681-683, 687, 688,  
D7/691-697, 401, 401.1, 401.2; D8/7, 9,  
D8/12, 33, 48, 75, 76, 77, 80, 81, 83, 93,  
D8/94, 95, 96, 97, 98, 99, 100, 101, 102,  
D8/103, 104, 105, 106, 107, 300, 303, 14,  
D8/16, 19, 45, 90; D4/121, 129, 132,  
D4/138; 30/142, 147, 148, 149, 150,  
30/322, 323, 324, 325, 326, 327, 328,  
30/340, 342, 343, 345; D24/146, 147,  
D24/133, 135, 144; D28/44, 45, 46, 47,  
D28/48; 16/430, 431, 110.1, 407  
CPC ..... A47G 21/02; A47G 21/06; A47G 21/08;  
A47G 21/04; B26B 11/00; B26B 29/025  
See application file for complete search history.

(56) **References Cited**

**U.S. PATENT DOCUMENTS**

- D62,249 S \* 4/1923 Salm ..... D28/62
- D150,323 S \* 7/1948 Stratton ..... D7/653
- D260,222 S \* 8/1981 Conti ..... D7/666
- D266,640 S \* 10/1982 Trombly ..... D7/666
- D345,512 S \* 3/1994 Gaenzle ..... D10/64
- D415,928 S \* 11/1999 Kaposi ..... D7/401.2
- D471,770 S \* 3/2003 Teuber ..... D7/645
- D475,640 S \* 6/2003 Mangelsen ..... D10/64
- D478,791 S \* 8/2003 Clark ..... D7/686
- D484,009 S \* 12/2003 Shing ..... D7/401.2

- D545,116 S \* 6/2007 Wasserman ..... D7/354
  - D551,900 S \* 10/2007 Glander ..... D7/393
  - D557,078 S \* 12/2007 Morrison ..... D7/642
  - D562,643 S \* 2/2008 Morrison ..... D7/642
  - D581,729 S \* 12/2008 Rico ..... D7/395
- (Continued)

**OTHER PUBLICATIONS**

Available Jan. 28, 2017, [online], [site visited Jun. 8, 2018].  
Available from Internet, <URL:https://www.facebook.com/  
originutensils/> (Year: 2017).\*

(Continued)

*Primary Examiner* — Cathron C Brooks  
*Assistant Examiner* — Katrina N Gonzalez  
(74) *Attorney, Agent, or Firm* — Richards Patent Law  
P.C.

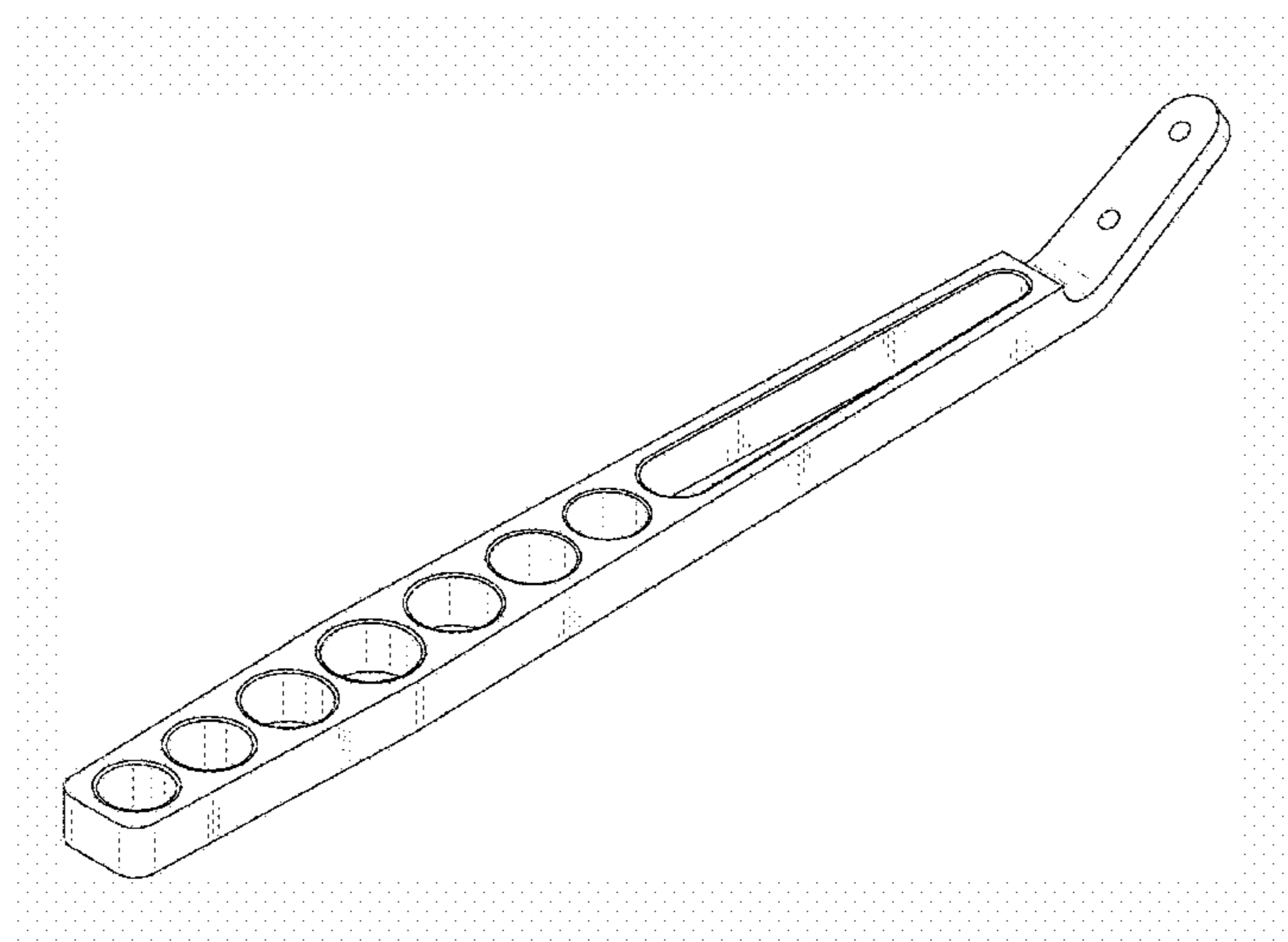
(57) **CLAIM**

The ornamental design for a utensil handle, as shown and described.

**DESCRIPTION**

FIG. 1 is a perspective view of a utensil handle showing my new design;  
FIG. 2 is a bottom view thereof;  
FIG. 3 is a top view thereof;  
FIG. 4 is a side view thereof;  
FIG. 5 is a front view thereof;  
FIG. 6 is a back view thereof;  
FIG. 7 is a perspective view of the utensil handle in the context of being coupled with a spoon head;  
FIG. 8 is a perspective view of the utensil handle in the context of being coupled with a ladle head; and,  
FIG. 9 is a perspective view the utensil handle in the context of being coupled with a spatula head.  
The portions of the figures that are presented in broken lines merely illustrate the environment of the design and are not part of the claimed design.

**1 Claim, 6 Drawing Sheets**



(56)

**References Cited**

## U.S. PATENT DOCUMENTS

D588,365	S	*	3/2009	Conway	.....	D4/138
D595,923	S	*	7/2009	Walstrom	.....	D34/35
D619,763	S	*	7/2010	Coresh	.....	D28/48
D629,249	S	*	12/2010	Snyker	.....	D7/395
D633,772	S	*	3/2011	Behler	.....	D8/99
D636,490	S	*	4/2011	Koros	.....	D24/147
D640,088	S	*	6/2011	Tanaka	.....	D7/368
D678,386	S	*	3/2013	Huguley	.....	D16/242
D686,467	S	*	7/2013	Barnett	.....	D7/401.2
D696,085	S	*	12/2013	Parker	.....	D7/697
D700,022	S	*	2/2014	Stanford	.....	D7/401.2
D700,034	S	*	2/2014	Kessler	.....	D8/300
D700,811	S	*	3/2014	Lin	.....	D7/401.2
D717,111	S	*	11/2014	Wang	.....	D7/401.2
D717,112	S	*	11/2014	Wang	.....	D7/401.2
D727,691	S	*	4/2015	Wang	.....	D7/644
D805,347	S	*	12/2017	Hundley	.....	D7/395
D818,644	S	*	5/2018	Poladian	.....	D28/48

## OTHER PUBLICATIONS

Available Jun. 8, 2018, [online], [site visited Jun. 8, 2018]. Available from Internet, <URL:<https://www.originutensils.com/pages/design>> (Year: 2018).\*

\* cited by examiner

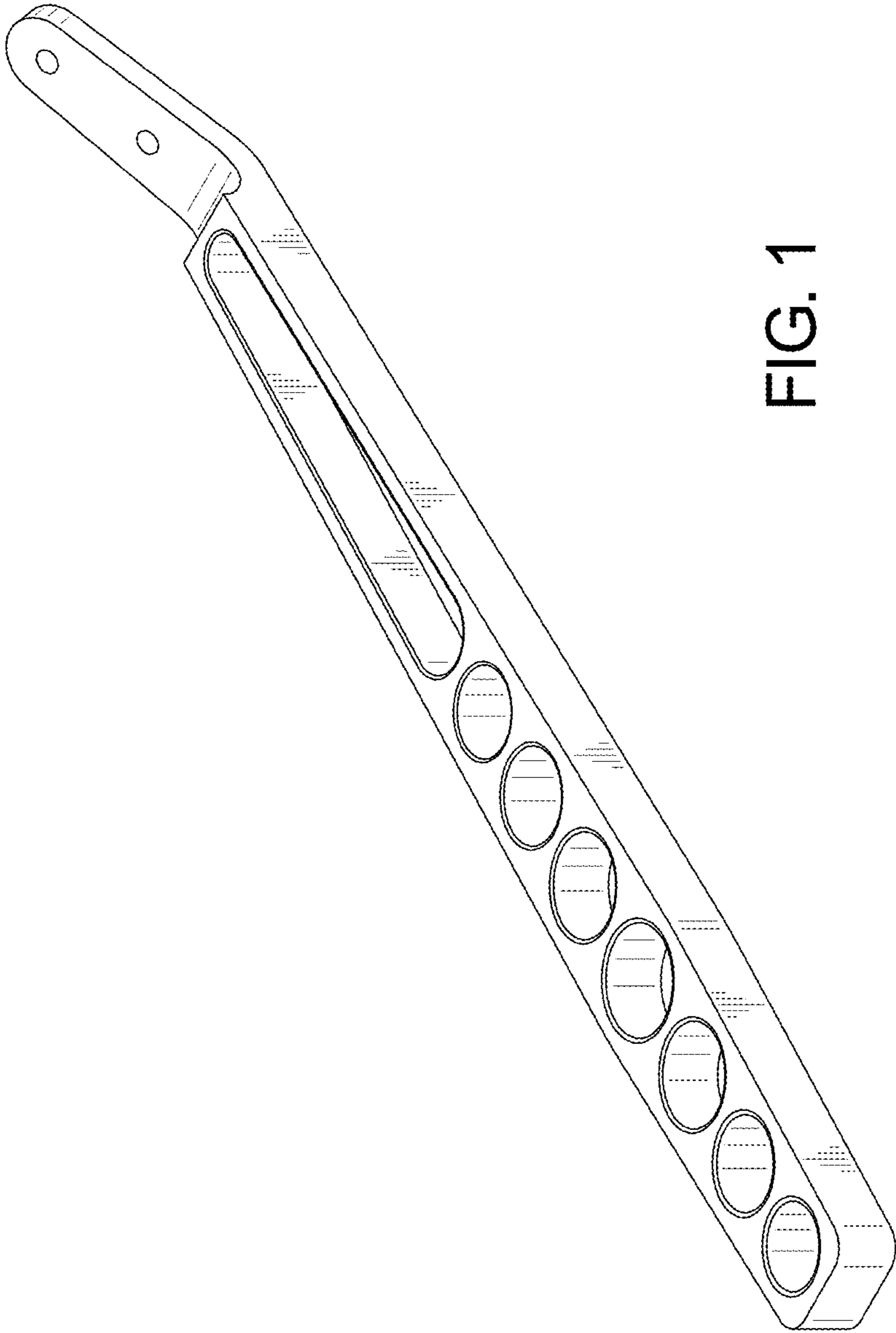


FIG. 1

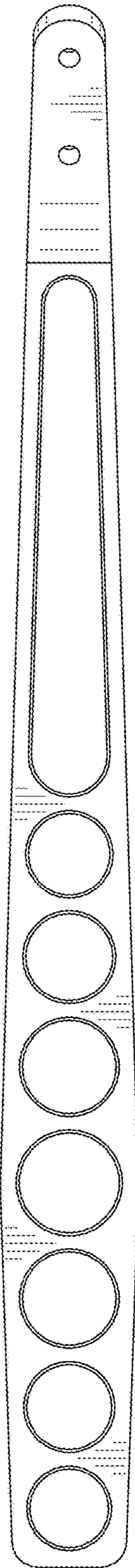


FIG. 2

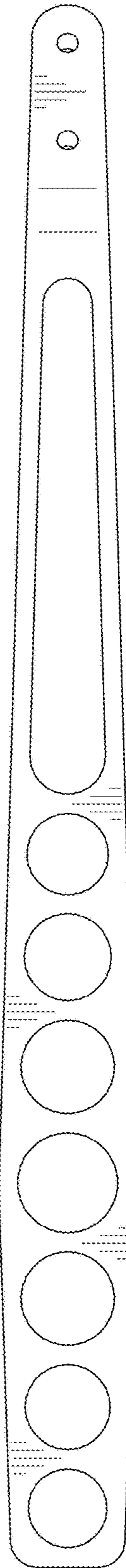


FIG. 3

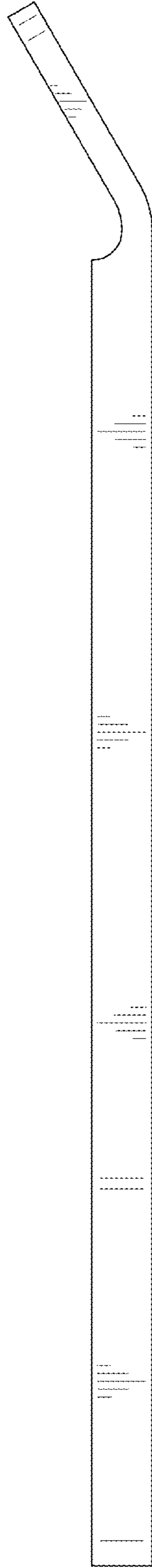


FIG. 4

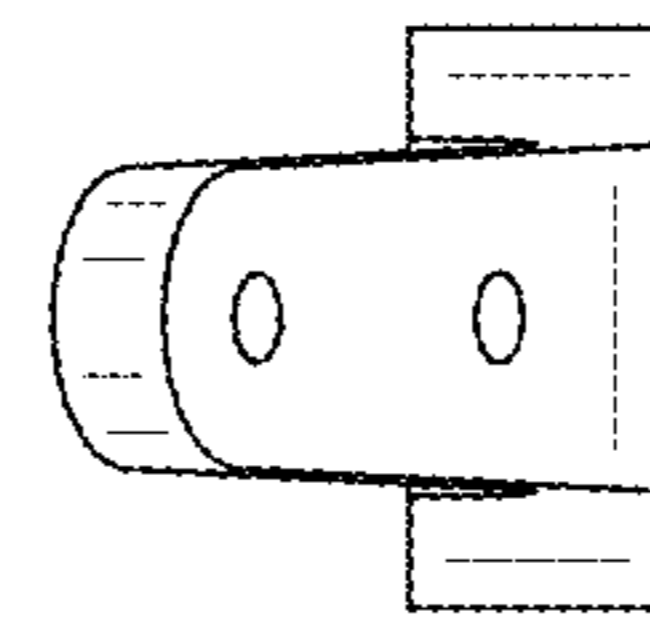


FIG. 5

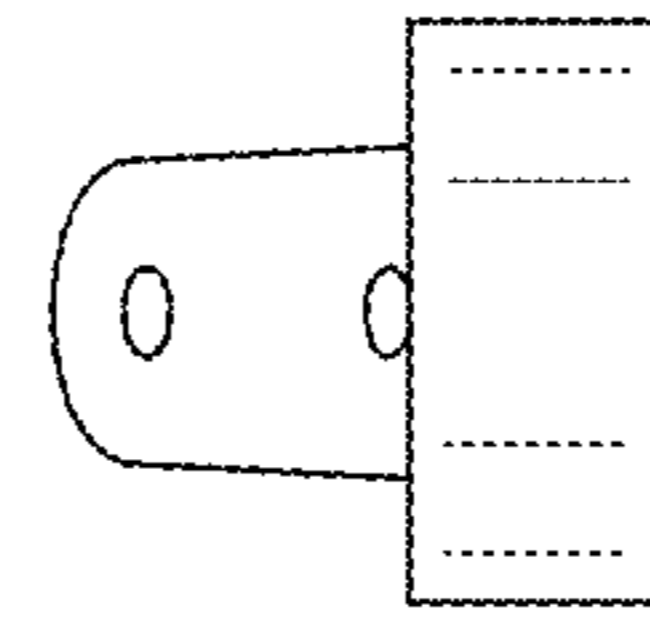


FIG. 6

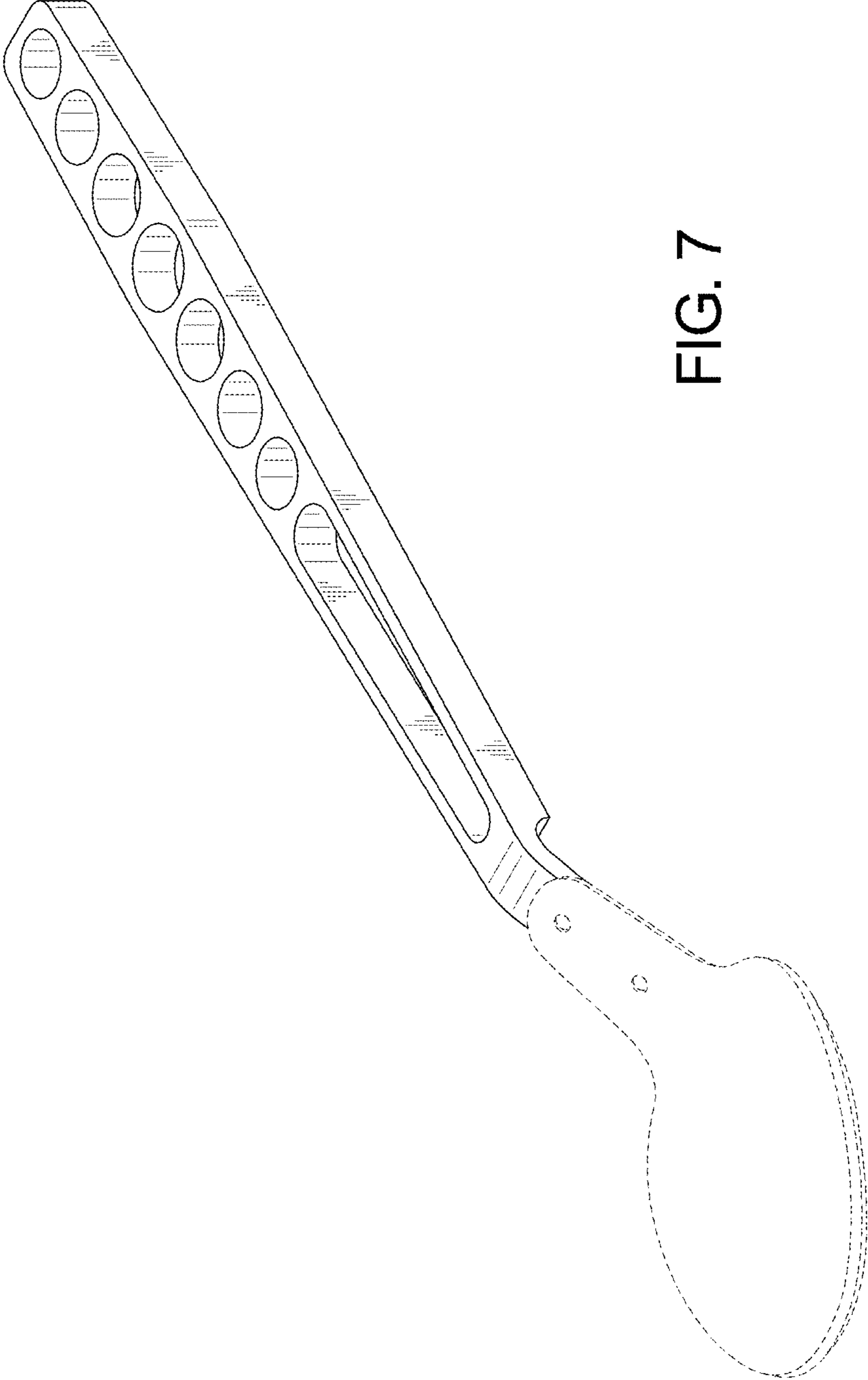


FIG. 7

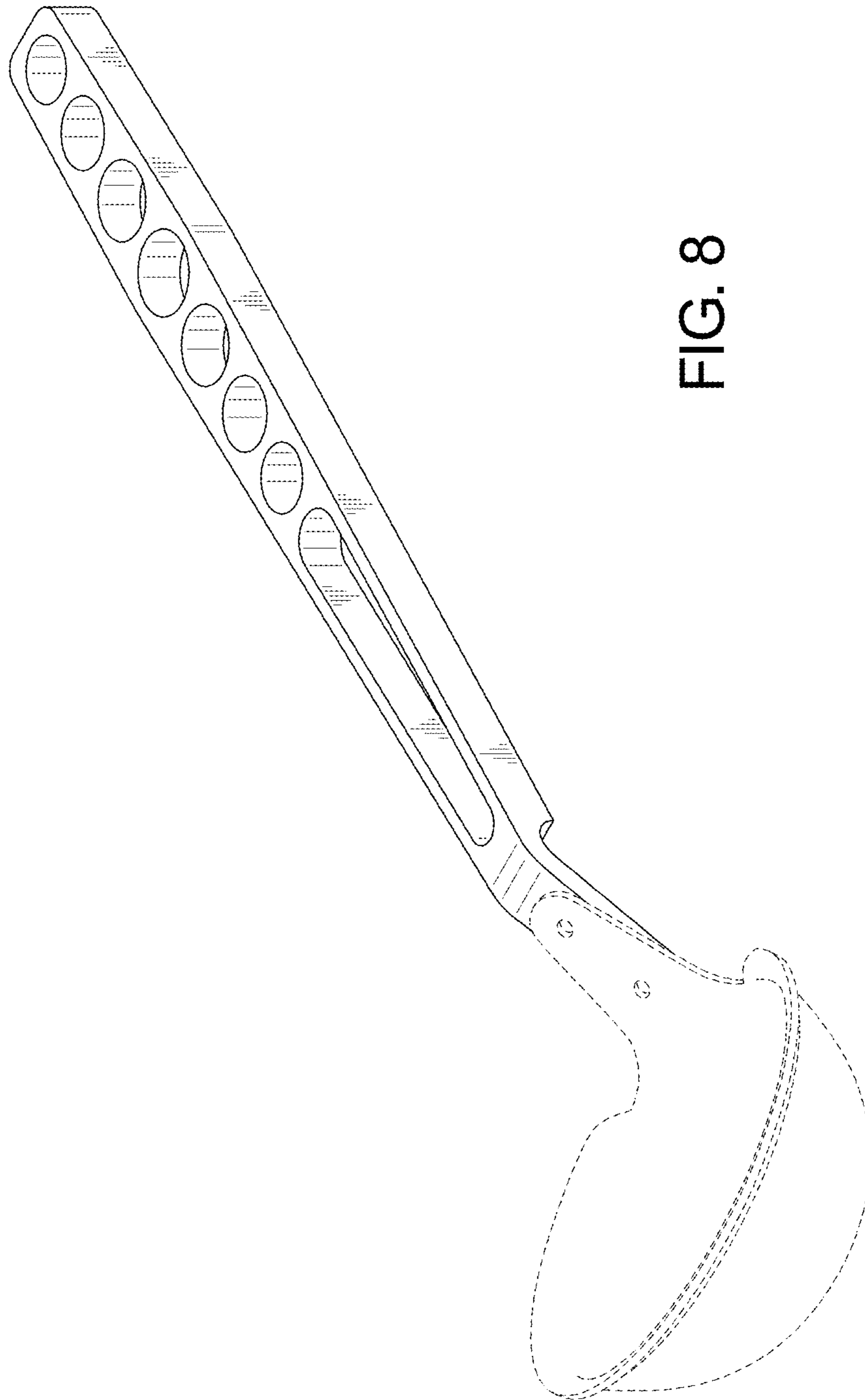


FIG. 8

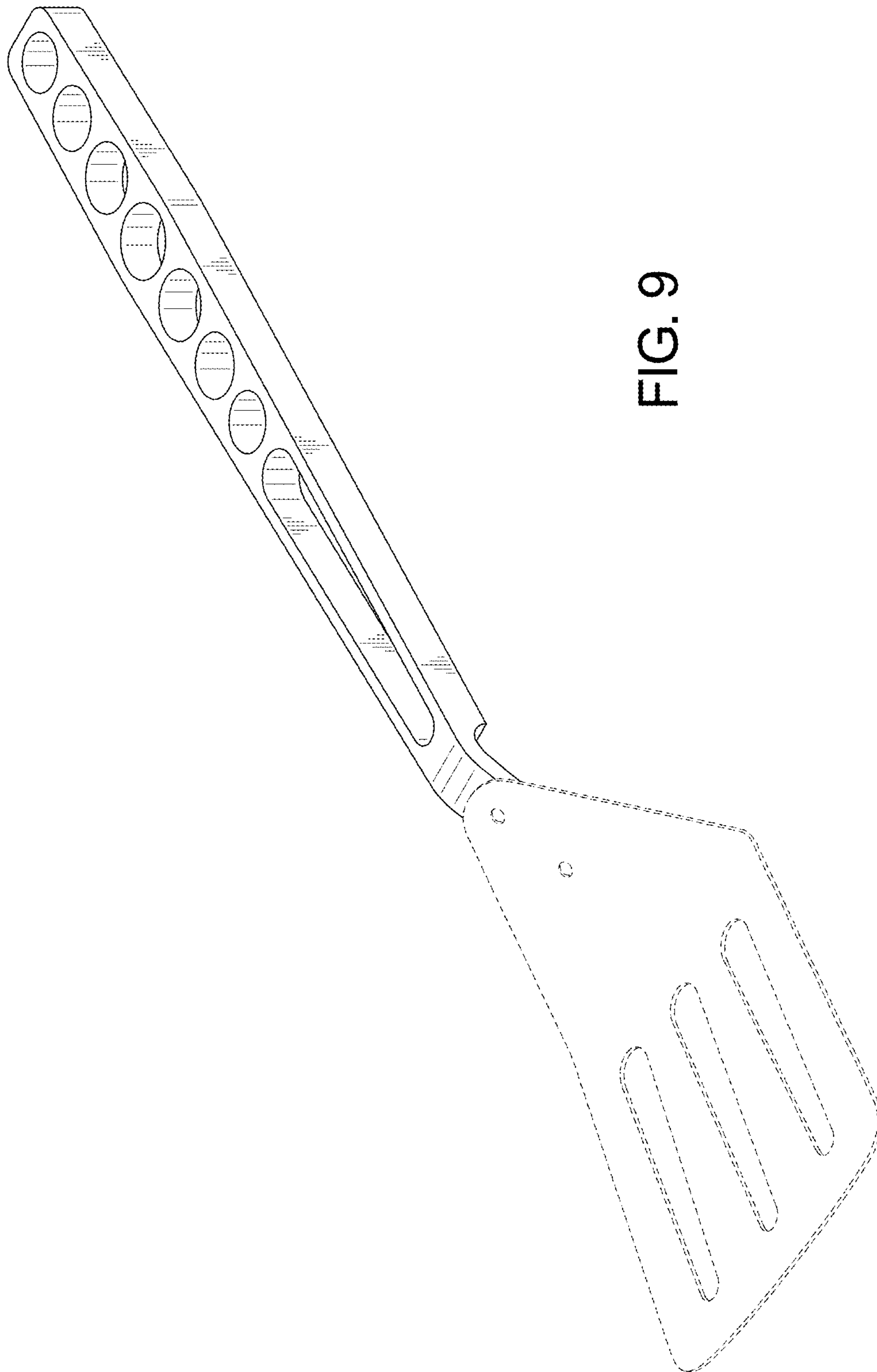


FIG. 9