



US00D834368S

(12) **United States Design Patent** (10) **Patent No.:** **US D834,368 S**  
**Oas** (45) **Date of Patent:** **\*\* Nov. 27, 2018**

(54) **LID WITH SIP DRINKING MEMBER**  
(71) Applicant: **Daniel Oas**, Irwindale, CA (US)  
(72) Inventor: **Daniel Oas**, Irwindale, CA (US)  
(73) Assignee: **Calibre International, LLC**, Irwindale, CA (US)  
(\*\*) Term: **15 Years**

7,066,360 B2 \* 6/2006 Hearld ..... B65D 47/243  
215/251  
D637,490 S \* 5/2011 McKinney ..... D9/447  
D650,629 S \* 12/2011 Gilbert ..... D7/392.1  
D719,827 S \* 12/2014 Duran ..... D9/447  
D751,395 S \* 3/2016 Willows ..... D9/447  
D752,434 S \* 3/2016 Willows ..... D9/447  
D752,435 S \* 3/2016 Willows ..... D9/447  
D762,473 S \* 8/2016 Willows ..... D9/447  
D768,492 S \* 10/2016 Kim ..... D9/434  
D784,084 S \* 4/2017 Bartlett ..... D7/511  
2013/0270306 A1 \* 10/2013 Krautkramer ..... B65D 47/242  
222/521  
2014/0027477 A1 \* 1/2014 deBeers ..... A45F 5/02  
224/148.4

(21) Appl. No.: **29/575,115**  
(22) Filed: **Aug. 22, 2016**

(51) **LOC (11) Cl.** ..... **07-99**  
(52) **U.S. Cl.**  
USPC ..... **D7/392.1; D9/447**

(58) **Field of Classification Search**  
USPC ..... D9/414, 417, 428, 432, 434, 435,  
D9/443-450, 452-456, 499, 682-685;  
D7/387, 392, 392.1, 393, 396,  
D7/396.1-396.4, 398, 401.1, 507,  
D7/509-511, 538, 900; D3/202, 294,  
D3/318, 321; D28/91.1; D6/580, 699,  
D6/699.4, 702; D8/349, 354, 382, 107,  
D8/300, 321, 322  
CPC .. A61J 1/00; A61J 1/1412; B65D 1/00; B65D  
1/02; B65D 1/10; B65D 1/46; B65D  
2585/56; B65D 2585/545; B65D 41/00;  
B65D 41/38; B65D 41/56; B65D 41/62;  
B65D 47/00; B65D 47/06; B65D 47/08;  
B65D 2543/00046; B65D 2543/00092;  
B65D 2543/00296; B65D 5/46; B65D  
2251/00

See application file for complete search history.

(56) **References Cited**

**U.S. PATENT DOCUMENTS**

D391,448 S \* 3/1998 Winer ..... D7/510  
D482,620 S \* 11/2003 Kleckauskas ..... D9/530  
D508,202 S \* 8/2005 Dobson ..... D9/447

(Continued)

*Primary Examiner* — Michael A. Pratt  
*Assistant Examiner* — Wendy L Arminio  
(74) *Attorney, Agent, or Firm* — Thomas I. Rozsa

(57) **CLAIM**

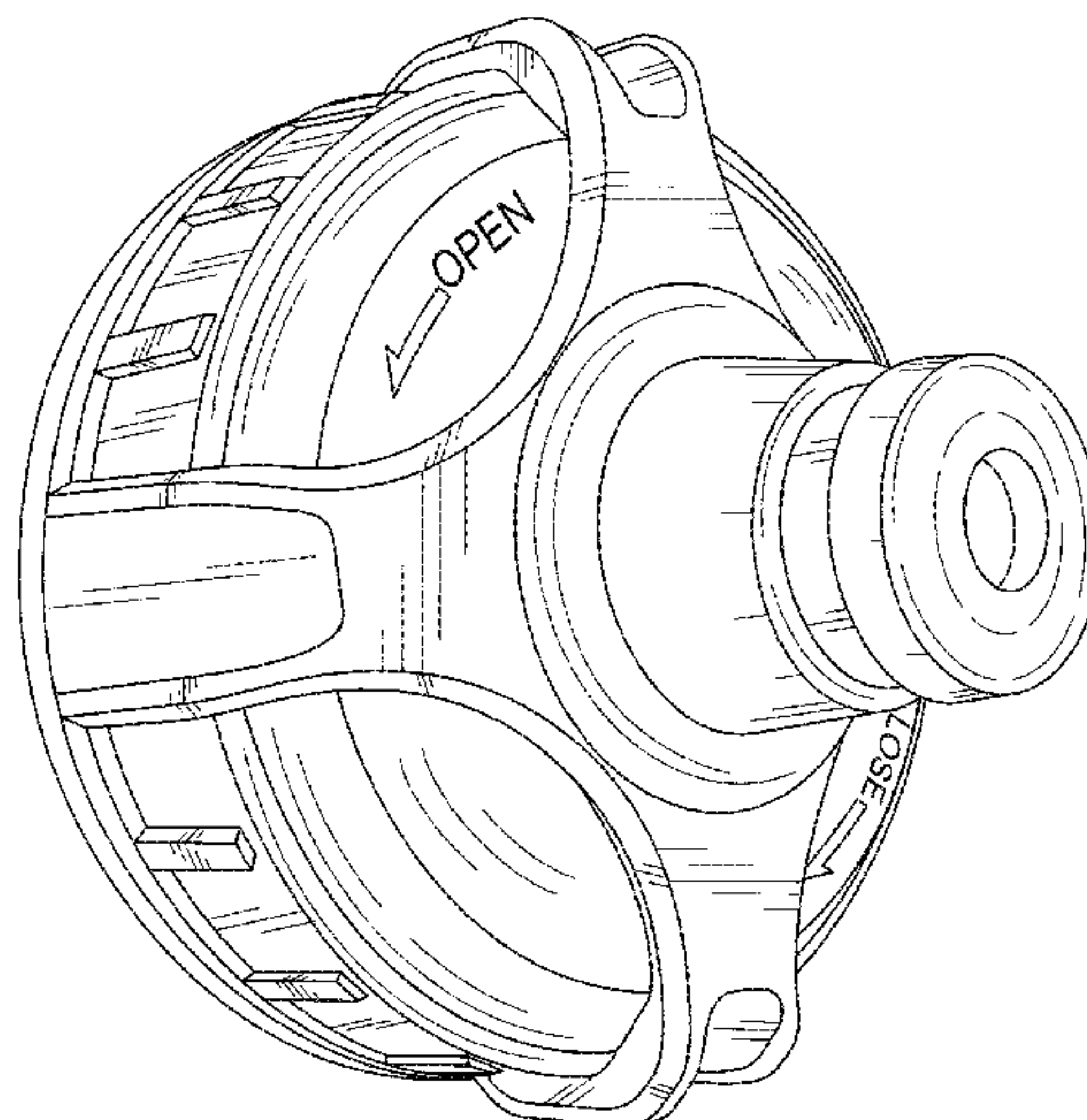
The ornamental design for a lid with sip drinking member, as shown and described.

**DESCRIPTION**

FIG. 1 is a top perspective view of a lid with sip drinking member, showing my new design;  
FIG. 2 is a bottom perspective view thereof;  
FIG. 3 is a front elevational view thereof;  
FIG. 4 is a rear elevational view thereof;  
FIG. 5 is a top view thereof;  
FIG. 6 is a bottom view thereof;  
FIG. 7 is a left side view thereof; and,  
FIG. 8 is a right side view thereof.

The innermost solid line in the top of FIGS. 1 and 5, and the innermost solid line in FIGS. 2 and 6 illustrate the boundaries to the claim. The broken lines in the top and all other areas of the interior of the bottom of the lip with sip drinking member depict portions of the article that form no part of the claimed design.

**1 Claim, 8 Drawing Sheets**



(56)

**References Cited**

U.S. PATENT DOCUMENTS

2016/0200486 A1\* 7/2016 Meyers ..... A47G 19/2266  
215/229

\* cited by examiner

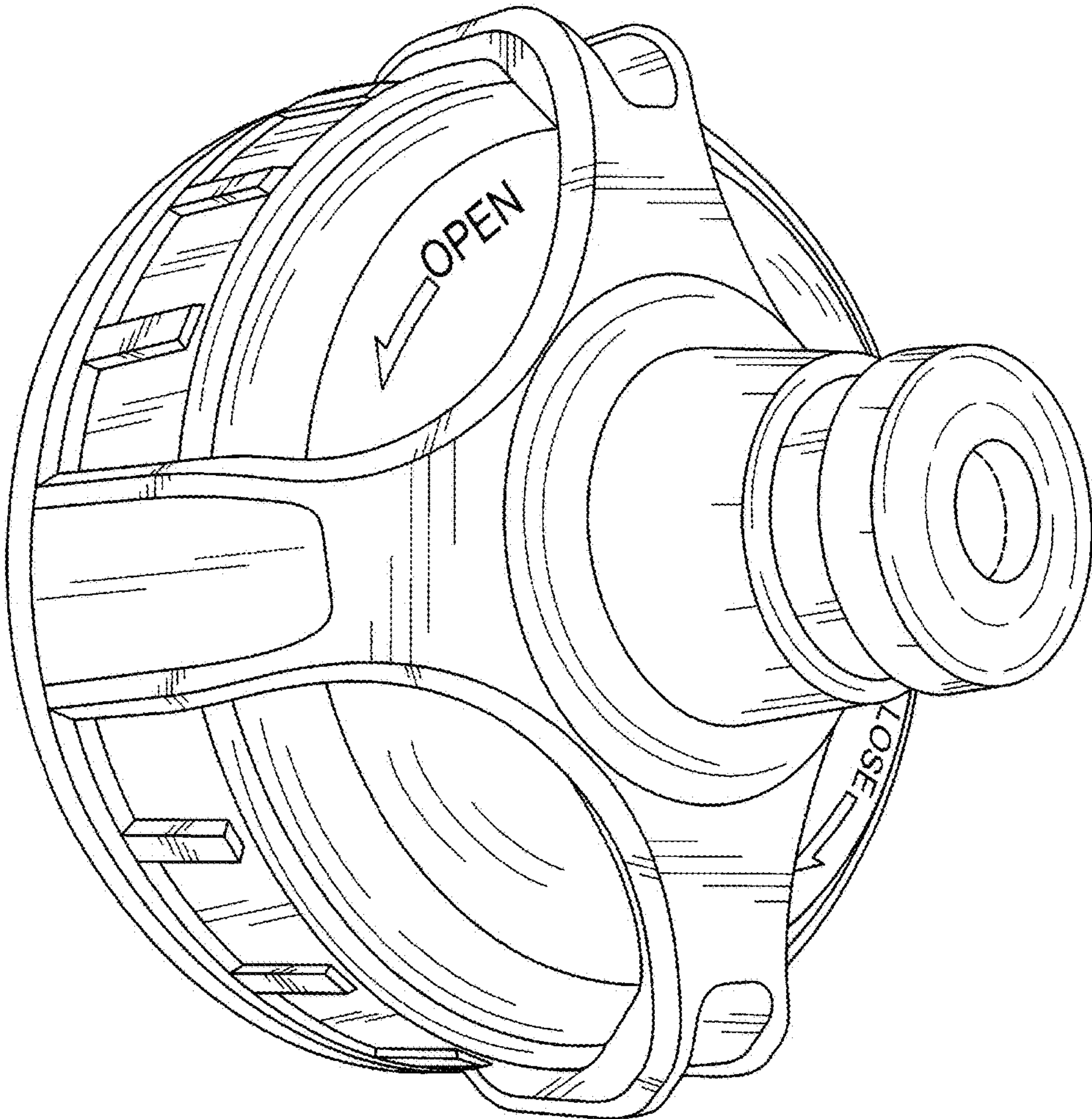


FIG. 1



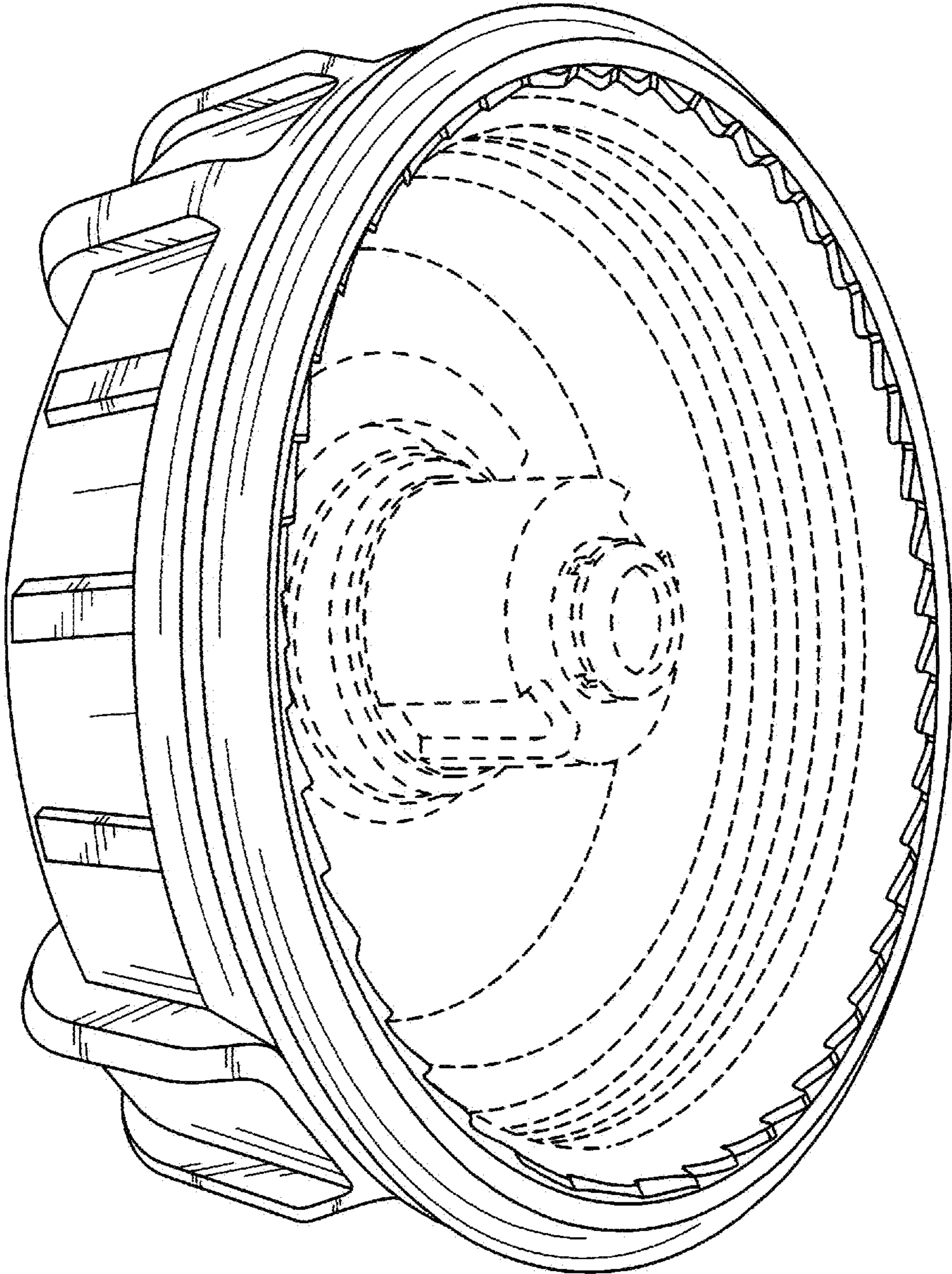


FIG. 2

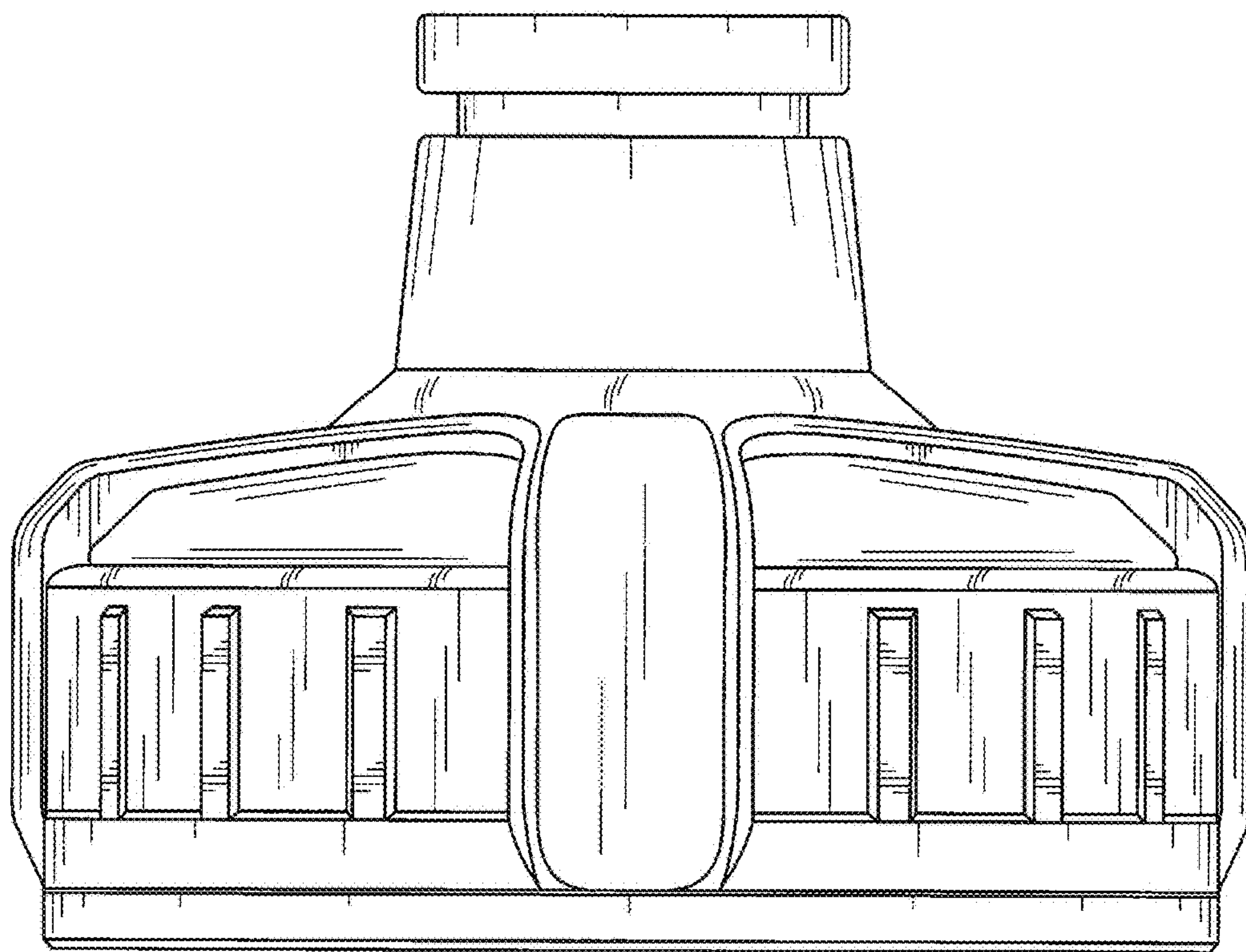


FIG. 3

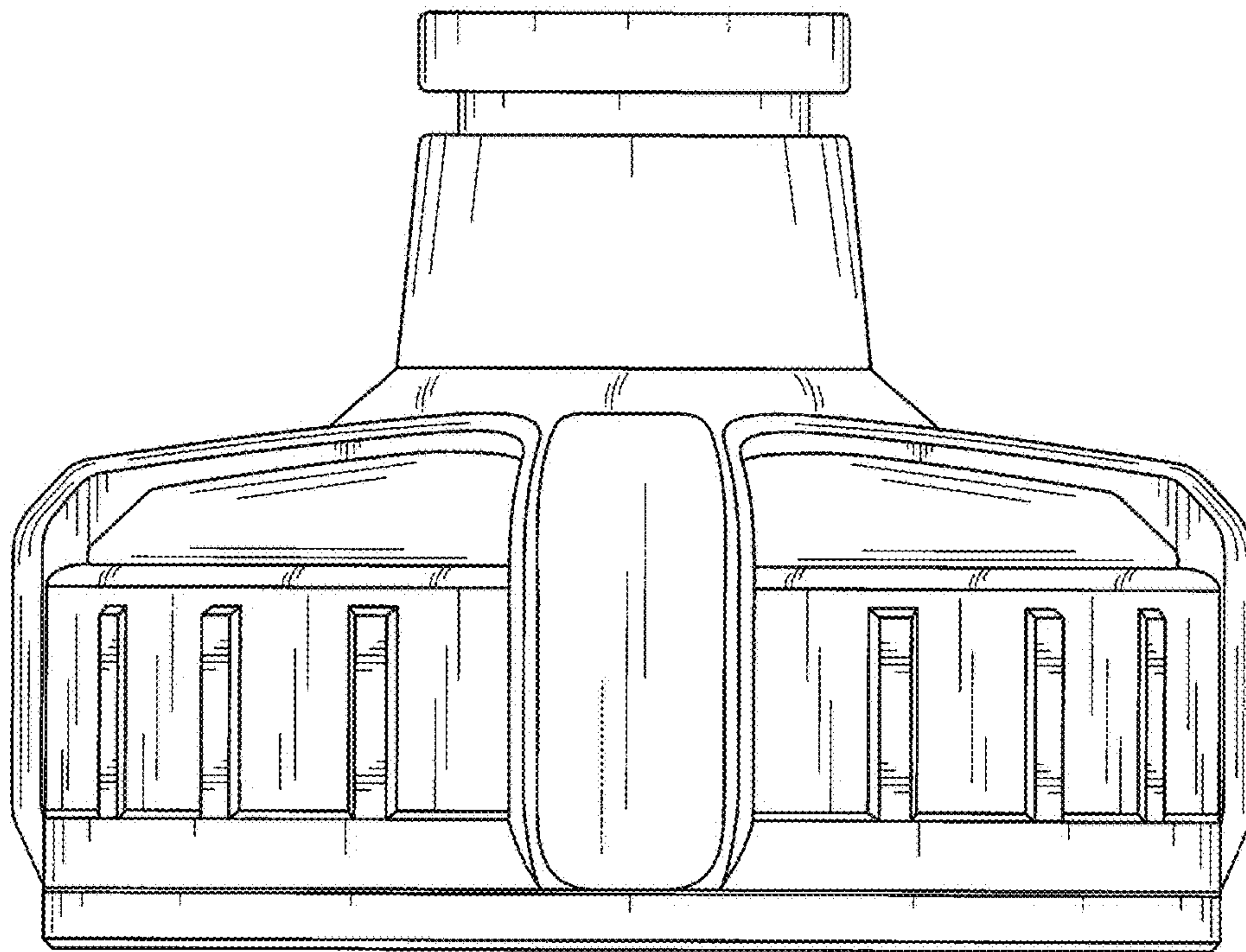


FIG. 4

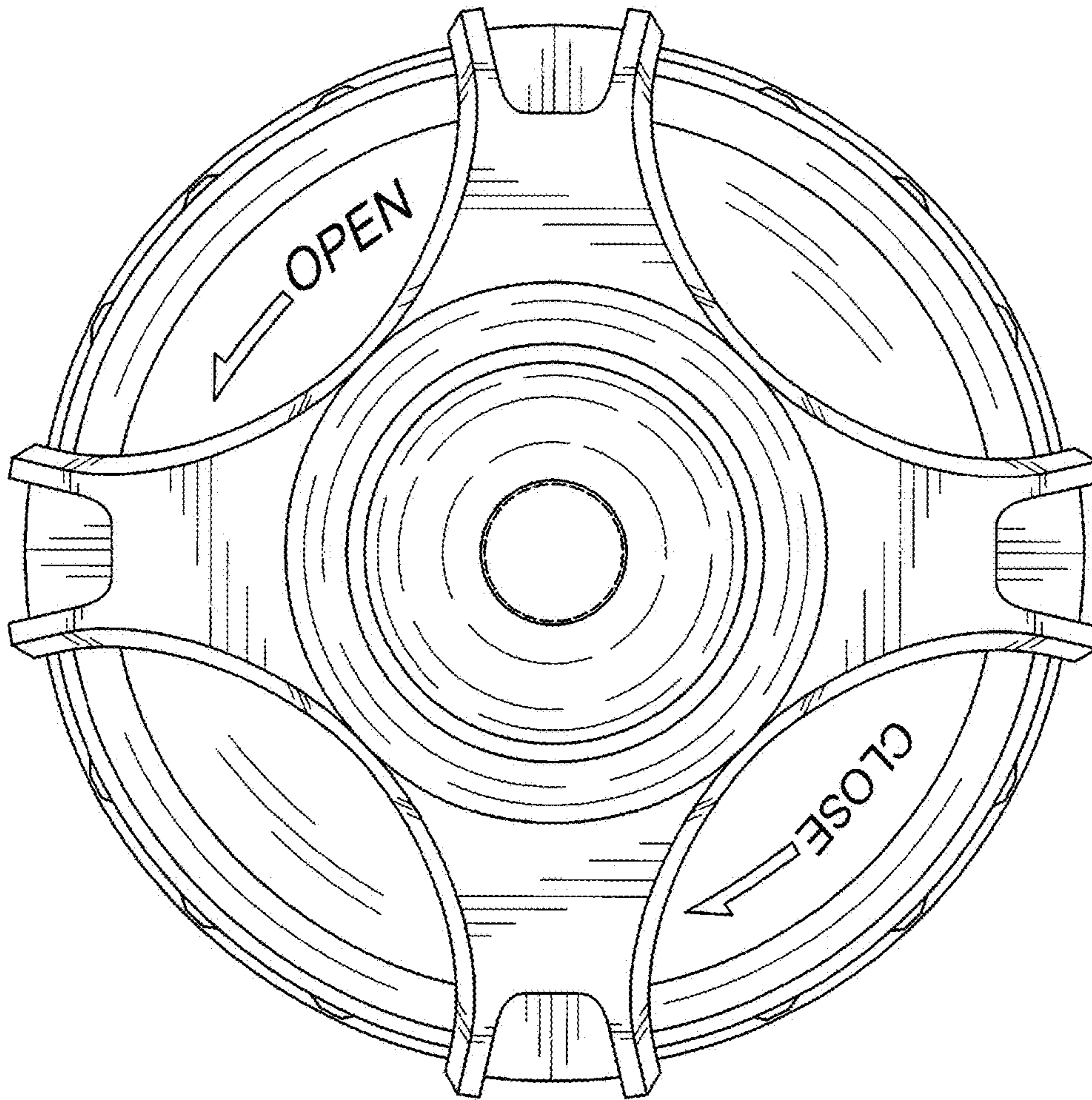


FIG. 5



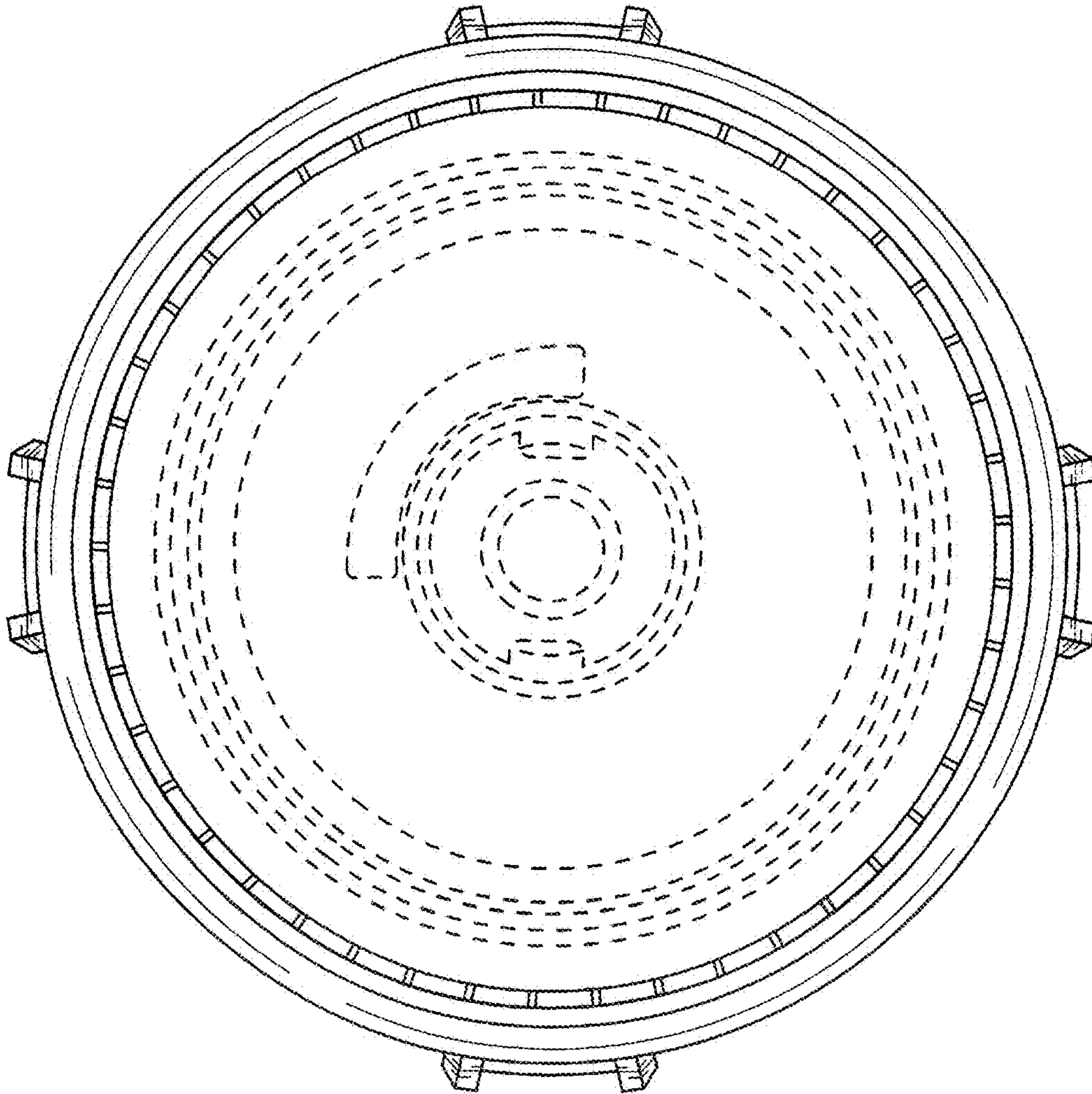


FIG. 6



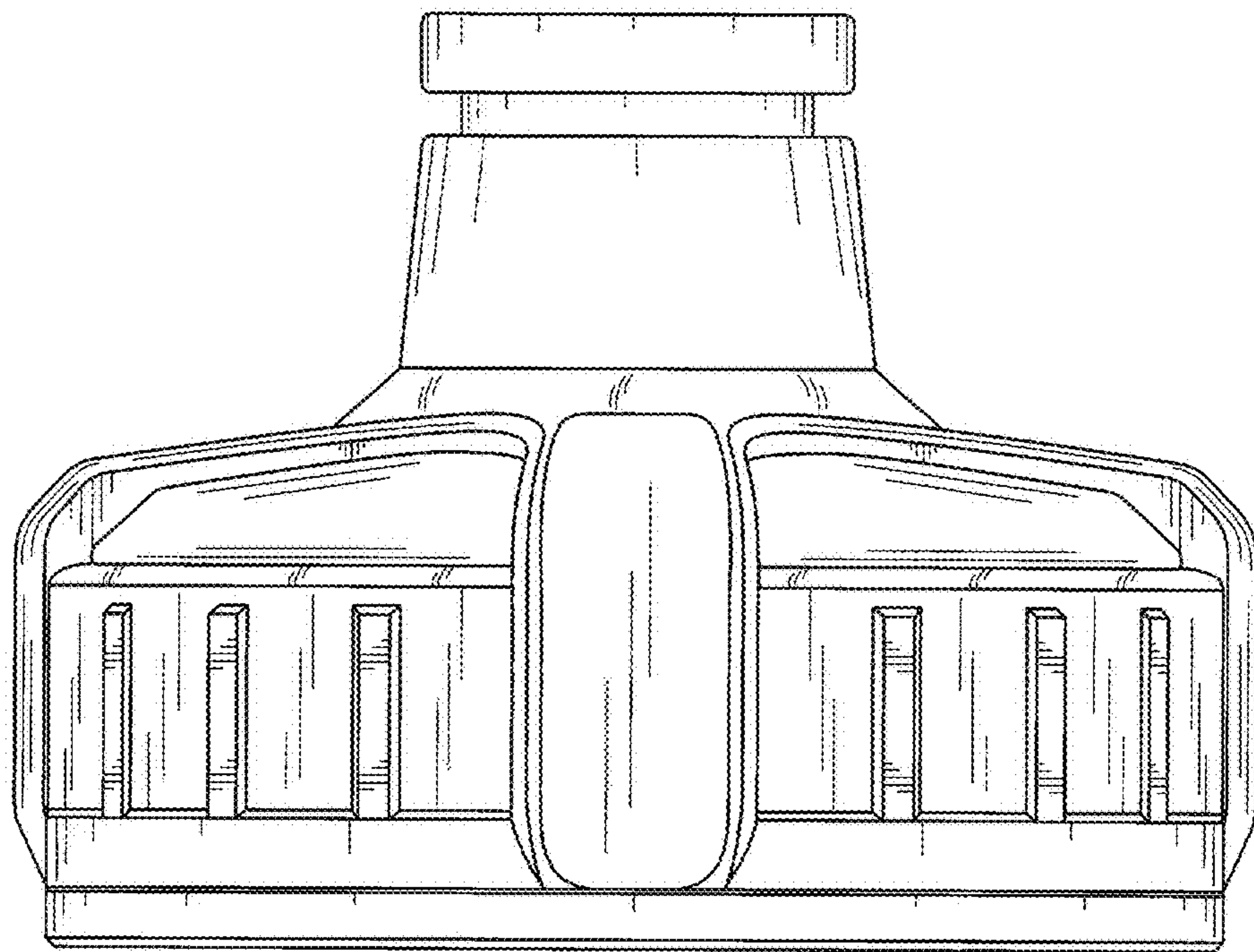


FIG. 7

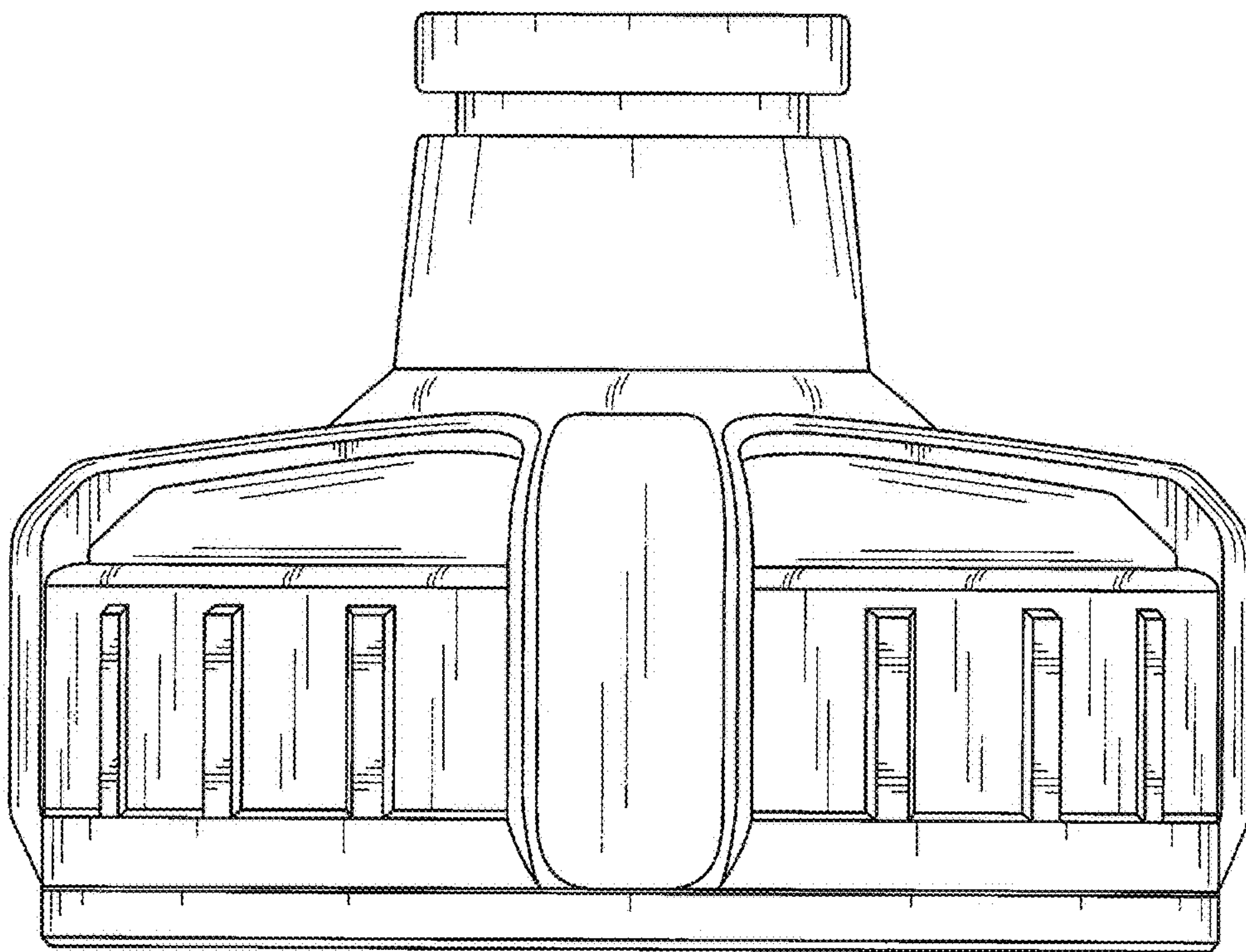


FIG. 8