



US00D834367S

(12) **United States Design Patent** (10) **Patent No.:** **US D834,367 S**  
**Tsai** (45) **Date of Patent:** **\*\* Nov. 27, 2018**

(54) **LID FOR HOLDING FOOD**  
(71) Applicant: **Yu-Min Tsai**, Taipei (TW)  
(72) Inventor: **Yu-Min Tsai**, Taipei (TW)  
(\*\*) Term: **15 Years**  
(21) Appl. No.: **29/563,982**  
(22) Filed: **May 10, 2016**  
(51) **LOC (11) Cl.** ..... **07-99**  
(52) **U.S. Cl.**  
USPC ..... **D7/392; D30/124**  
(58) **Field of Classification Search**  
USPC ..... D7/316, 391, 392, 392.1, 392.2, 396.1,  
D7/397, 398, 510, 591, 602, 619.1, 619.2,  
D7/900; D9/435, 438, 453, 716, 719,  
D9/738; D24/193; D30/121, 124  
CPC ..... B65D 25/38; B65D 2517/0049;  
B65D 51/18; B65D 53/00; B65D 3/0032;  
B67D 3/00; A01K 5/00; A01K 5/0142;  
A01M 1/106  
See application file for complete search history.

8,360,005 B1 \* 1/2013 Allen ..... A01K 5/0142  
119/61.53  
D676,706 S \* 2/2013 Kern ..... D7/392  
D682,481 S \* 5/2013 Krueger ..... D30/124  
D704,383 S \* 5/2014 Edlin ..... D30/121  
D708,950 S \* 7/2014 Zeid ..... D9/453  
D728,297 S \* 5/2015 Melzer ..... D7/300.1  
D733,491 S \* 7/2015 Gluck ..... D7/392.1  
RE45,837 E \* 1/2016 Krueger ..... D30/124  
D760,542 S \* 7/2016 Vu ..... D7/510  
D783,358 S \* 4/2017 Schlegel ..... D7/510  
D789,621 S \* 6/2017 Nifong ..... D30/124  
2010/0237078 A1 \* 9/2010 Lentz ..... A45F 3/18  
220/378

(Continued)

**OTHER PUBLICATIONS**

“More Birds Hummingbird Feeder.” Found online Jun. 28, 2018 at  
www.amazon.com. Page dated Aug. 13, 2015. Retrieved from URL:  
<https://tinyurl.com/y6vmsjav> (Year: 2015).\*

(Continued)

*Primary Examiner* — Garth Rademaker  
*Assistant Examiner* — Katelin G Kloberg  
(74) *Attorney, Agent, or Firm* — Alan D. Kamrath;  
Kamrath IP Lawfirm, P.A.

(56) **References Cited**

**U.S. PATENT DOCUMENTS**

2,729,956 A \* 1/1956 Gilbert ..... B65D 25/44  
141/390  
D250,386 S \* 11/1978 Tuggy ..... D7/391  
D309,553 S \* 7/1990 Daenen ..... D7/591  
D325,783 S \* 4/1992 Anderson ..... D24/193  
D327,849 S \* 7/1992 Armstrong ..... D9/435  
D343,988 S \* 2/1994 Spence, Jr. .... D7/391  
D354,222 S \* 1/1995 Nilsson ..... D9/438  
6,167,921 B1 \* 1/2001 Busick ..... B67D 3/0032  
141/18  
D519,030 S \* 4/2006 Matsuda ..... D9/453  
D612,197 S \* 3/2010 Chan ..... D7/392.1  
D620,742 S \* 8/2010 Lion ..... D7/300  
D661,544 S \* 6/2012 Enghard ..... D7/213

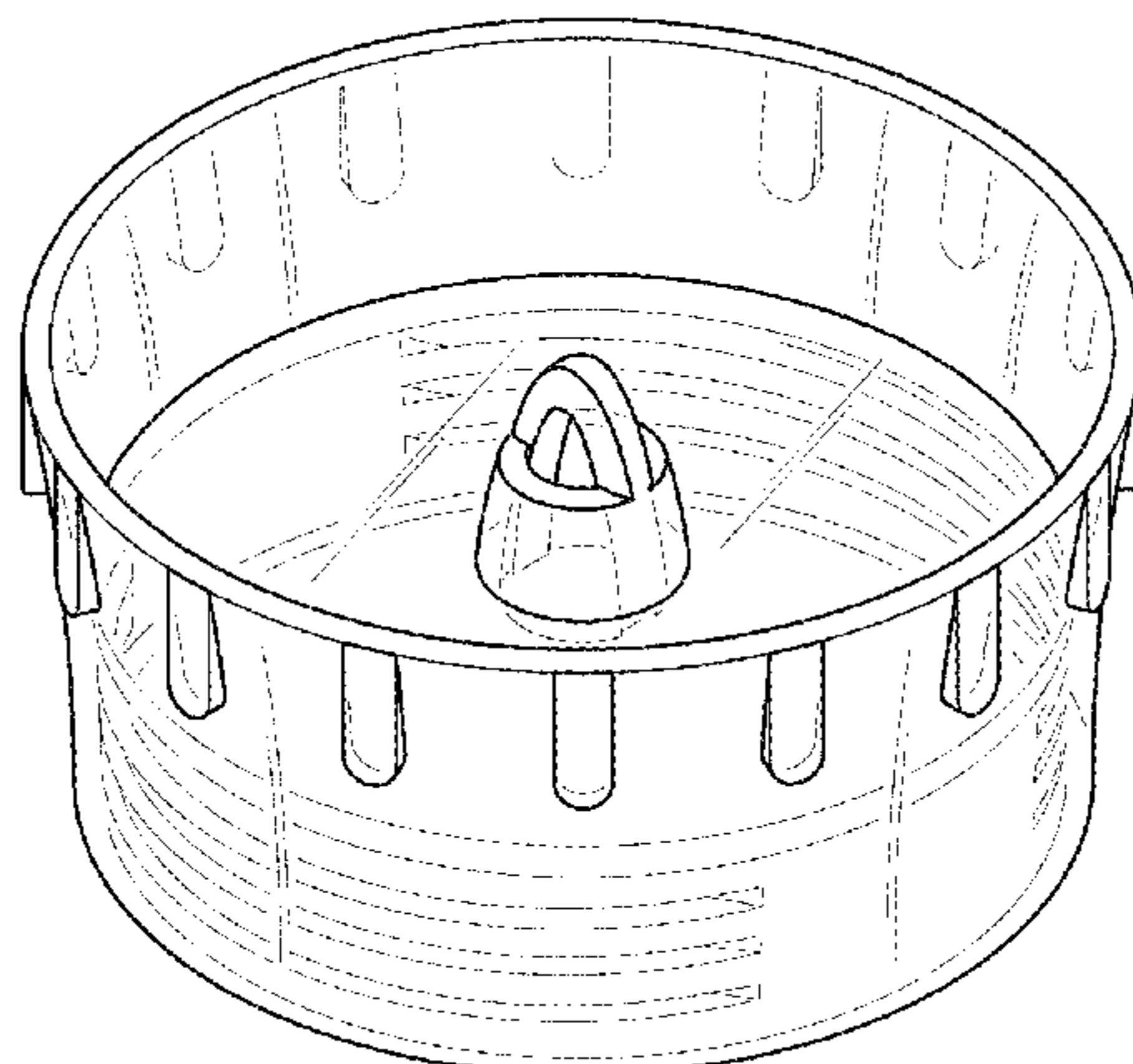
(57) **CLAIM**

The ornamental design for a lid for holding food, as shown.

**DESCRIPTION**

FIG. 1 is a perspective view of a lid for holding food  
showing my new design;  
FIG. 2 is a front view thereof;  
FIG. 3 is a rear view thereof;  
FIG. 4 is a left view thereof;  
FIG. 5 is a right view thereof;  
FIG. 6 is a top view thereof; and,  
FIG. 7 is a bottom view thereof.

**1 Claim, 5 Drawing Sheets**



(56)

**References Cited**

U.S. PATENT DOCUMENTS

2011/0198352 A1\* 8/2011 Lown ..... A47G 19/12  
220/254.8  
2012/0311919 A1\* 12/2012 Hardigree ..... A01M 1/106  
43/107

OTHER PUBLICATIONS

“Thermos 16 Ounce Vacuum Insulated Travel Mug.” Found online Jul. 2, 2018 at [www.amazon.com](http://www.amazon.com). Page dated Feb. 24, 2010. Retrieved from URL: [https://www.amazon.com/Thermos-Vacuum-Insulated-Travel-Stainless/dp/B0039SLSU6/ref=sr\\_1\\_1?ie=UTF8&qid=1489457798&sr=8-1&keywords=thermos+sipp](https://www.amazon.com/Thermos-Vacuum-Insulated-Travel-Stainless/dp/B0039SLSU6/ref=sr_1_1?ie=UTF8&qid=1489457798&sr=8-1&keywords=thermos+sipp) (Year: 2010).\*

“Munchkin Miracle 360 Trainer Cup.” Found online Jul. 2, 2018 at [www.amazon.com](http://www.amazon.com). Page dated Jul. 10, 2015. Retrieved from URL: <https://www.amazon.com/Munchkin-Miracle-Trainer-Green-Ounce/dp/B00MRZIFD0?th=1> (Year: 2015).\*

“Review: New Ergo Half Twist Polar Bottle Wins Best Cols Drinking in Hot Class.” Found online Jul. 2, 2018 at [beerasana.wordpress.com](http://beerasana.wordpress.com). Page dated Nov. 27, 2012. Retrieved from URL: <https://beerasana.wordpress.com/2012/11/27/review-new-ergo-half-twist-polar-bottle-wins-best-cold-drinking-in-hot-class/> (Year: 2012).\*

\* cited by examiner

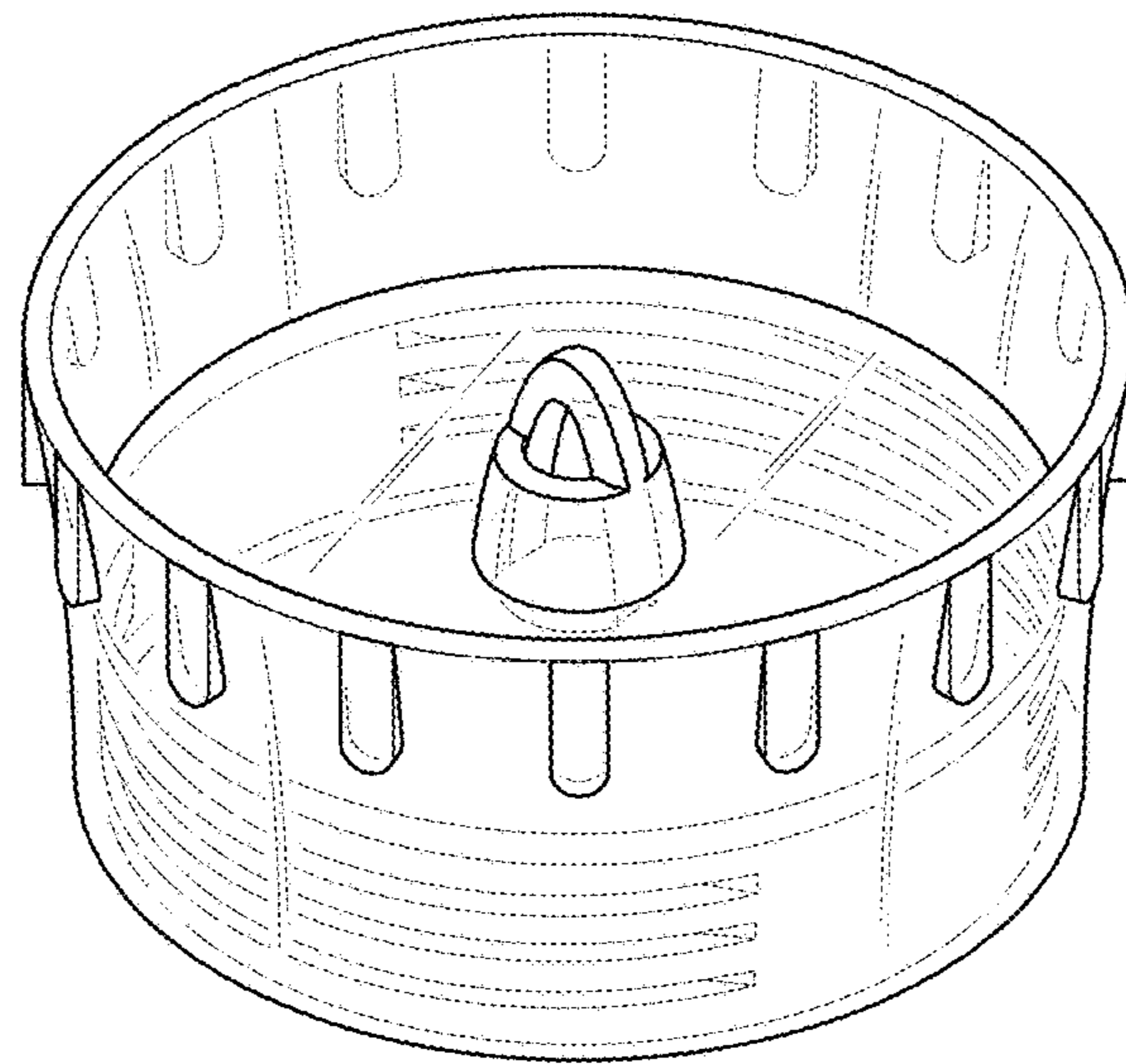


FIG. 1

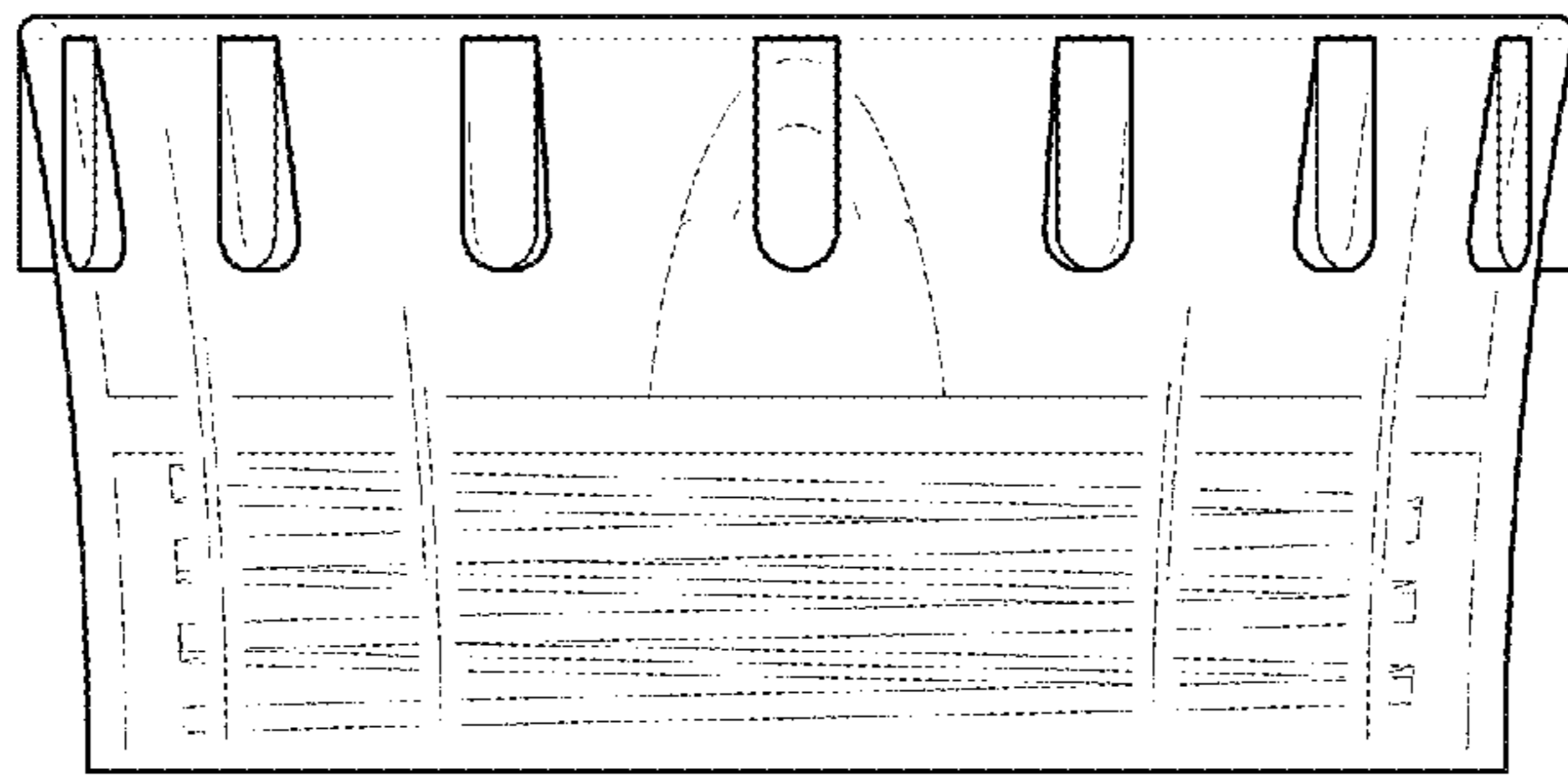


FIG. 2

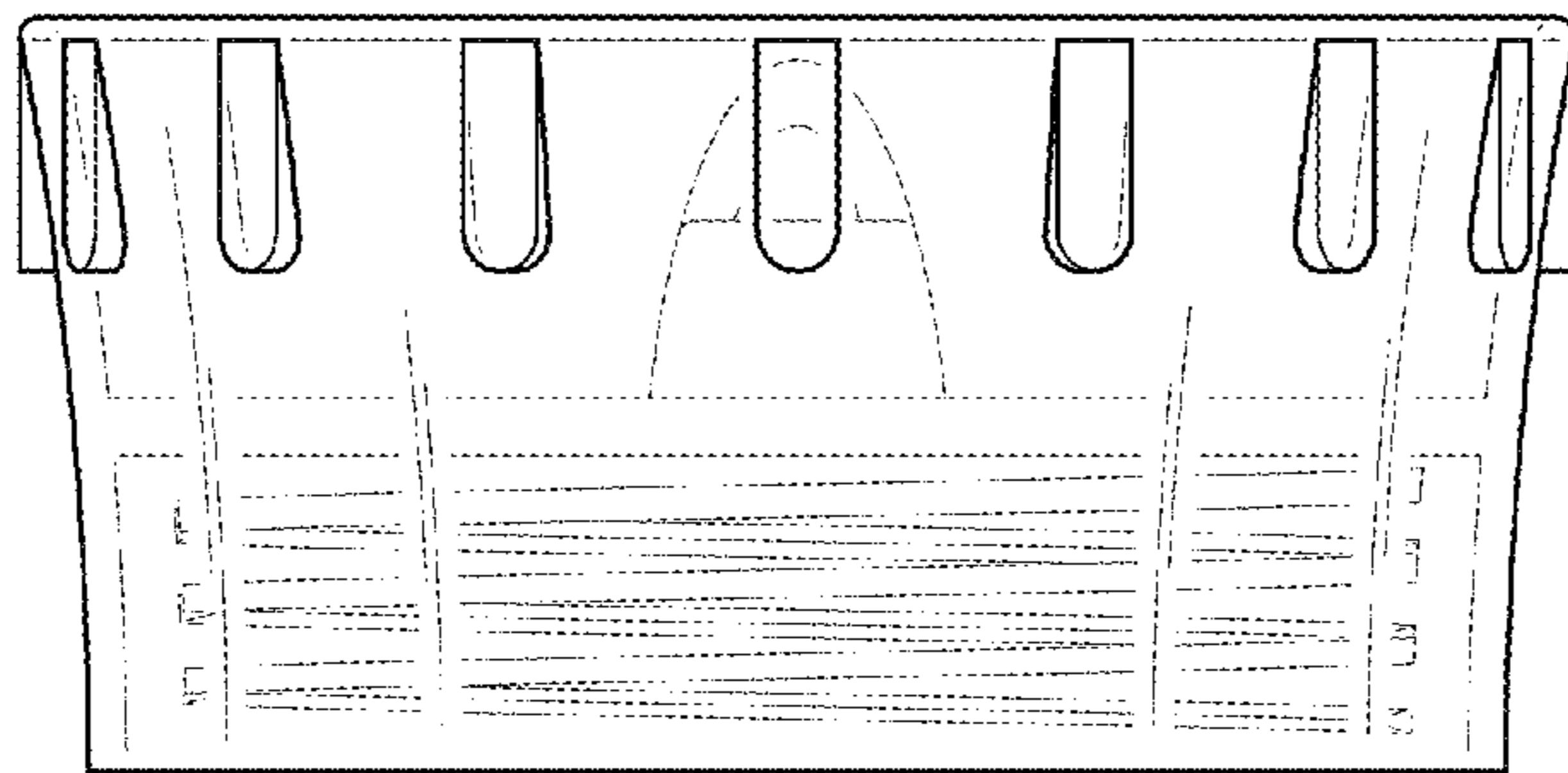


FIG. 3

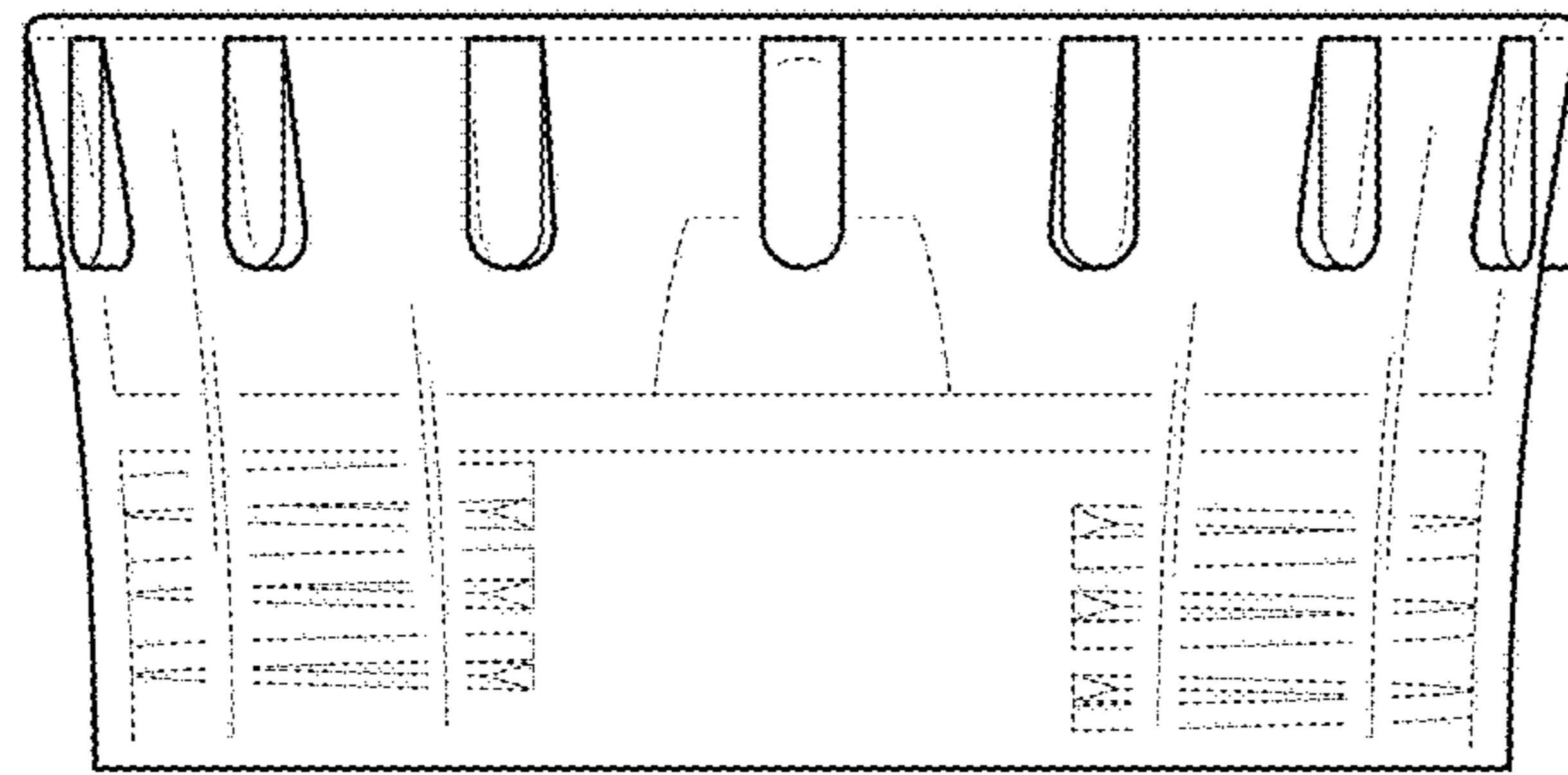


FIG. 4

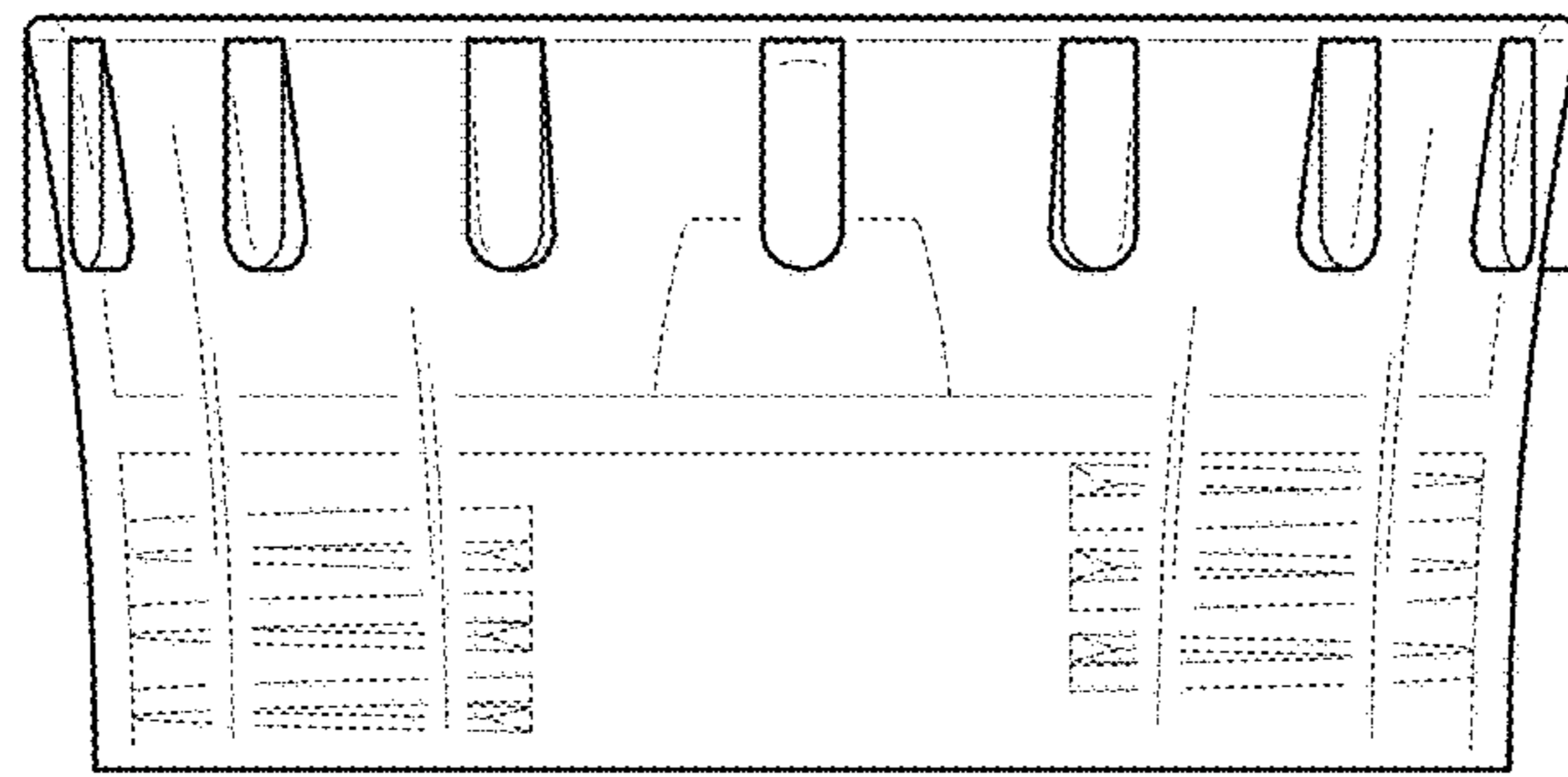


FIG. 5

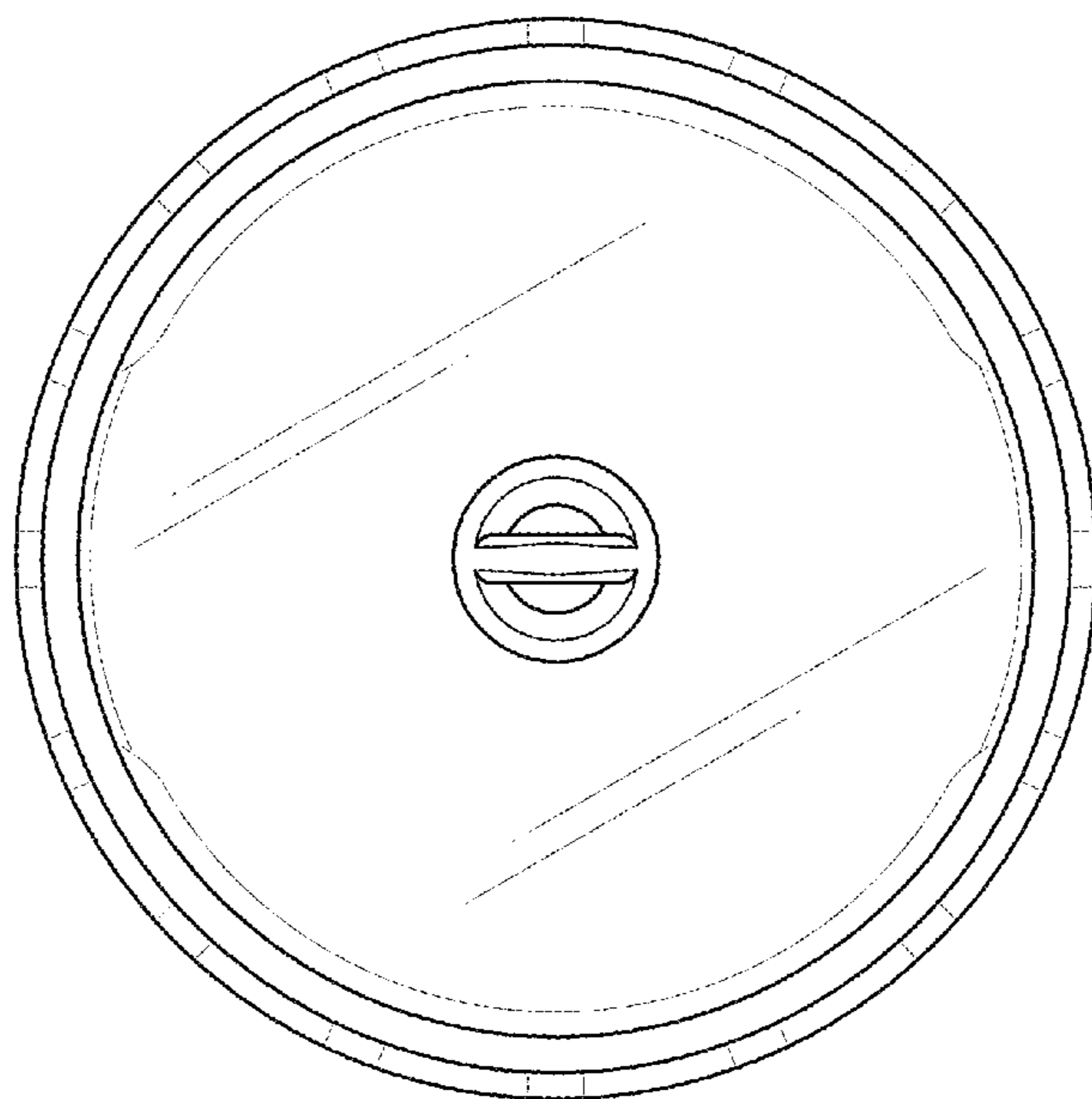


FIG. 6

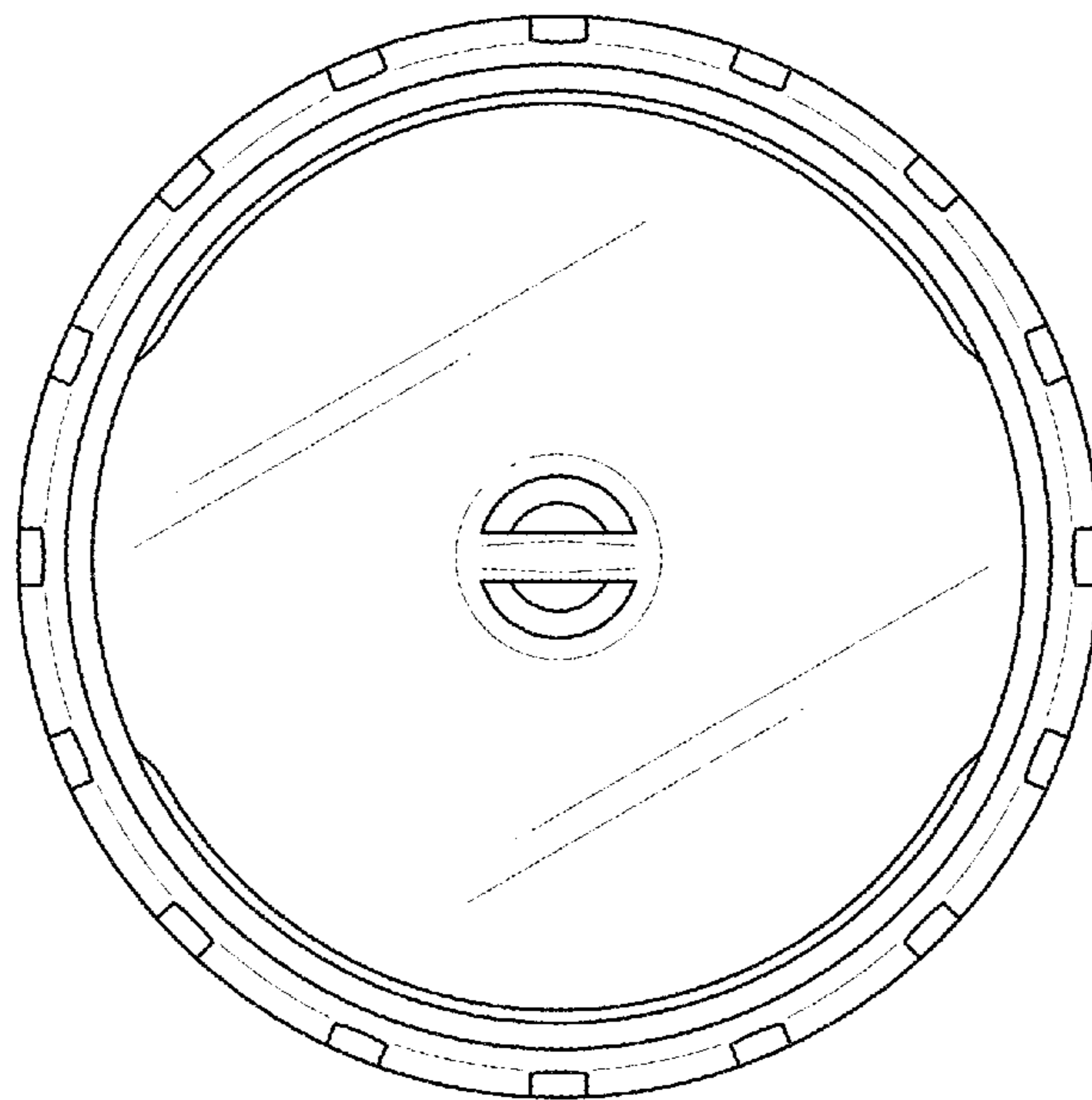


FIG. 7