



US00D834365S

(12) **United States Design Patent**  
**Hundley et al.**

(10) **Patent No.:** **US D834,365 S**

(45) **Date of Patent:** **\*\* Nov. 27, 2018**

(54) **HOPPER COVER FOR FOOD DISPENSER**

(71) Applicant: **The Vollrath Company, L.L.C.**,  
Sheboygan, WI (US)

(72) Inventors: **Jill Hundley**, Sheboygan, WI (US);  
**Richard Koehl**, Sheboygan Falls, WI  
(US); **Ken Wetenkamp**, Plymouth, WI  
(US)

(73) Assignee: **The Vollrath Company, L.L.C.**,  
Sheboygan, WI (US)

(\*\*) Term: **15 Years**

(21) Appl. No.: **29/553,959**

(22) Filed: **Feb. 5, 2016**

(51) **LOC (11) Cl.** ..... **07-02**

(52) **U.S. Cl.**  
USPC ..... **D7/391**

(58) **Field of Classification Search**  
USPC ..... D7/323, 354, 391, 392.1, 503, 586, 392,  
D7/552.1, 553.1, 553.2, 554.1, 600.1,  
D7/602, 614, 701, 704; D9/414, 418,  
D9/420-424, 424-425, 427, 430-435,  
D9/455, 456, 517, 737, 739, 740, 741,  
D9/744, 745; D26/121; D19/106;  
D23/290; D3/272, 273, 302, 304, 310,  
D3/313, 315, 319, 901; D6/512, 515-525  
CPC ..... A21C 15/00; B65D 43/02; B65D 43/021;  
B65D 43/03; B65D 1/36; B65D 21/036;  
B65D 21/022; B65D 21/0233; B65D  
51/02; B65D 25/24; B65D 25/2826;  
B65D 43/022

See application file for complete search history.

(56) **References Cited**

**U.S. PATENT DOCUMENTS**

D97,216 S 10/1935 Vernin  
2,038,218 A 4/1936 Holt

D103,860 S 3/1937 Randall et al.  
D103,861 S 3/1937 Randall et al.  
D183,318 S 8/1958 Martelli et al.  
3,251,460 A \* 5/1966 Edmonds ..... B65D 11/00  
206/523

3,979,007 A 9/1976 Thornbloom, Jr.  
4,300,700 A 11/1981 Chang

(Continued)

**OTHER PUBLICATIONS**

Stoelting, A Vollrath Company, Model F231 Operators Manual,  
2016, 29 pages.

*Primary Examiner* — Jennifer Rivard

*Assistant Examiner* — Catherine S Posthauer

(74) *Attorney, Agent, or Firm* — Foley & Lardner LLP

(57) **CLAIM**

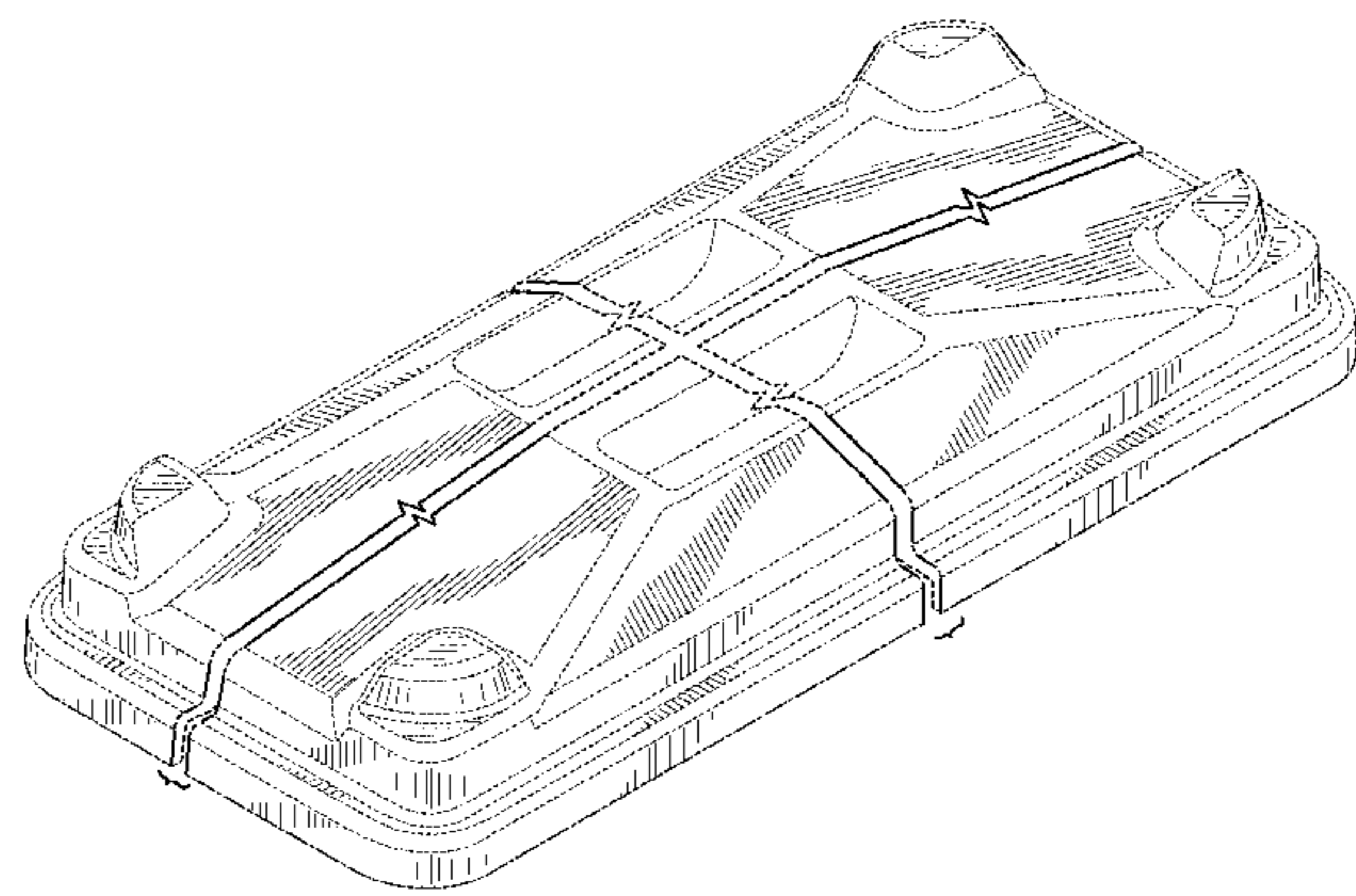
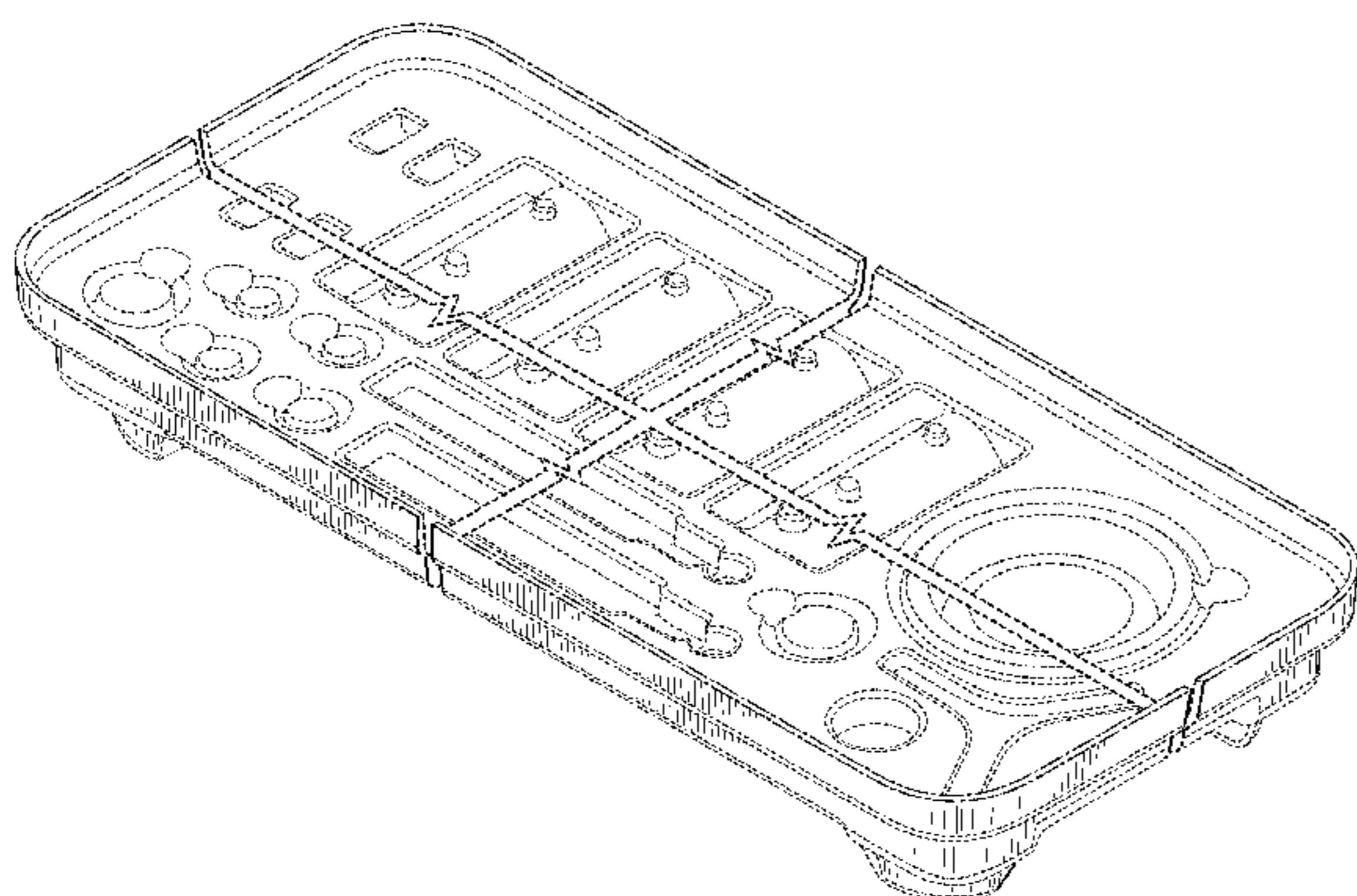
We claim the ornamental design for a hopper cover for food  
dispenser, as shown and described.

**DESCRIPTION**

FIG. 1 is a bottom perspective view of a hopper cover for  
food dispenser, showing our new design;  
FIG. 2 is a top perspective view thereof;  
FIG. 3 is a bottom view thereof;  
FIG. 4 is a top view thereof;  
FIG. 5 is a left view thereof;  
FIG. 6 is a right view thereof;  
FIG. 7 is a front view thereof; and,  
FIG. 8 is a rear view thereof.

The ornamental design which is claimed is shown in solid  
lines in the figures. The evenly broken lines are shown for  
the purpose of illustrating parts of the article that form no  
part of the claim. The evenly broken lines and the dash-dot  
broken lines immediately adjacent to shaded surfaces form  
a boundary of the claim. The drawings include symbolic  
break lines. The appearance of any portion of the article  
between the break lines forms no part of the claimed design.

**1 Claim, 6 Drawing Sheets**



(56)

References Cited

U.S. PATENT DOCUMENTS

4,611,713 A 9/1986 Byrns  
 4,614,859 A 9/1986 Beckering et al.  
 D289,825 S \* 5/1987 Humphries ..... D3/313  
 4,947,739 A 8/1990 Owen  
 D311,624 S \* 10/1990 O'Leary ..... D3/304  
 D333,093 S 2/1993 Rehrig et al.  
 D420,727 S \* 2/2000 Hundley ..... D23/290  
 6,176,499 B1 1/2001 Conrado et al.  
 D440,118 S \* 4/2001 Claffy ..... D7/553.1  
 D465,417 S \* 11/2002 Apps ..... D9/456  
 D471,766 S \* 3/2003 Bradley ..... D7/549  
 D495,491 S \* 9/2004 Ramirez ..... D3/304  
 6,968,969 B1 11/2005 McKinnon, Jr.  
 D589,798 S \* 4/2009 Liipola ..... D9/456  
 7,614,518 B2 \* 11/2009 Barber ..... A21C 15/00  
 220/23.89  
 D615,396 S \* 5/2010 Changpan ..... D9/425  
 7,784,640 B2 8/2010 Matsutori et al.  
 7,854,321 B2 12/2010 Twig et al.  
 D638,255 S \* 5/2011 Barber ..... D7/354  
 D653,963 S \* 2/2012 Golota ..... D9/737  
 D661,188 S \* 6/2012 Fahy ..... D9/456  
 D661,189 S \* 6/2012 Fahy ..... D9/456  
 D675,878 S \* 2/2013 Shirley ..... D7/602  
 D676,321 S \* 2/2013 Jones ..... D9/456  
 D677,116 S \* 3/2013 Smyers ..... D7/391  
 D677,568 S \* 3/2013 Sina ..... D7/392.1  
 D678,409 S \* 3/2013 Papenfuß ..... D19/106

D682,682 S \* 5/2013 Biery ..... D9/432  
 8,469,222 B1 \* 6/2013 Stavitzski ..... B65D 85/36  
 206/563  
 D687,300 S 8/2013 Jones et al.  
 D689,772 S 9/2013 Jones et al.  
 D698,198 S \* 1/2014 Renz ..... D7/392  
 D723,920 S \* 3/2015 Wakeham ..... D9/456  
 D748,498 S \* 2/2016 Pipes ..... D9/424  
 D749,417 S \* 2/2016 Bate ..... D9/456  
 9,259,016 B2 2/2016 Mohammed et al.  
 D751,401 S \* 3/2016 Kuo ..... D9/432  
 D757,350 S \* 5/2016 Levy ..... D26/121  
 D766,663 S 9/2016 Bergeron et al.  
 D773,236 S \* 12/2016 Durant ..... D7/323  
 D782,330 S \* 3/2017 Kim ..... D9/456  
 D782,332 S \* 3/2017 Kim ..... D9/456  
 9,635,874 B2 5/2017 Bruckner et al.  
 D793,812 S \* 8/2017 Dennis ..... D7/553.2  
 D798,165 S \* 9/2017 Snedden ..... D9/418  
 9,764,880 B2 \* 9/2017 Hundley ..... B65D 51/02  
 D801,760 S \* 11/2017 Neumann ..... D7/701  
 2004/0178208 A1 9/2004 Leba et al.  
 2004/0232637 A1 11/2004 Butler  
 2010/0012537 A1 1/2010 Farrar et al.  
 2011/0226766 A1 \* 9/2011 Baker ..... B65D 1/36  
 220/23.88  
 2012/0318705 A1 12/2012 Brooks  
 2017/0225853 A1 \* 8/2017 Hundley ..... B65D 51/02  
 2017/0334617 A1 \* 11/2017 Hundley ..... B65D 25/2826  
 2018/0020802 A1 \* 1/2018 Buckle ..... A45D 27/22

\* cited by examiner

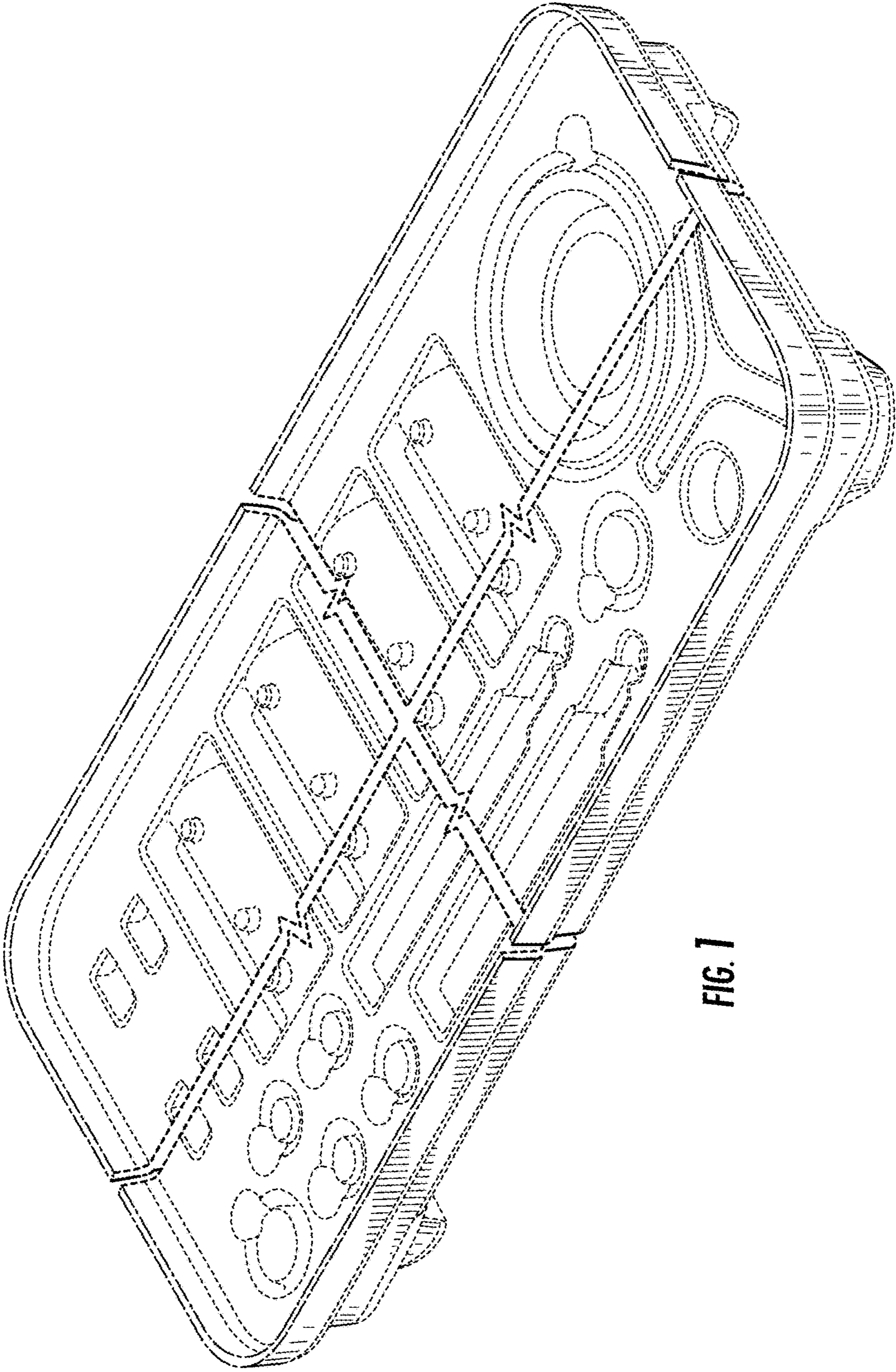
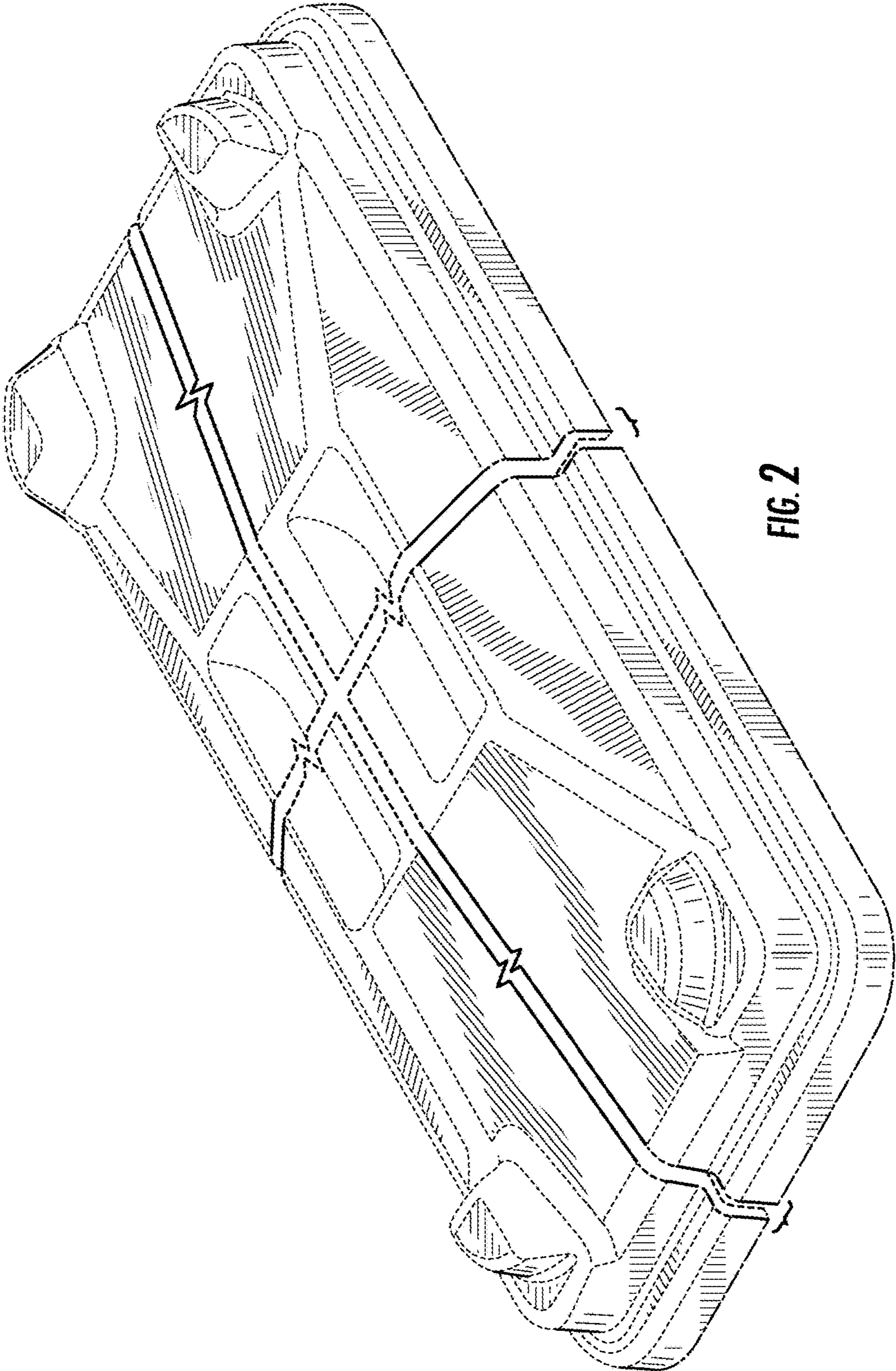


FIG. 1



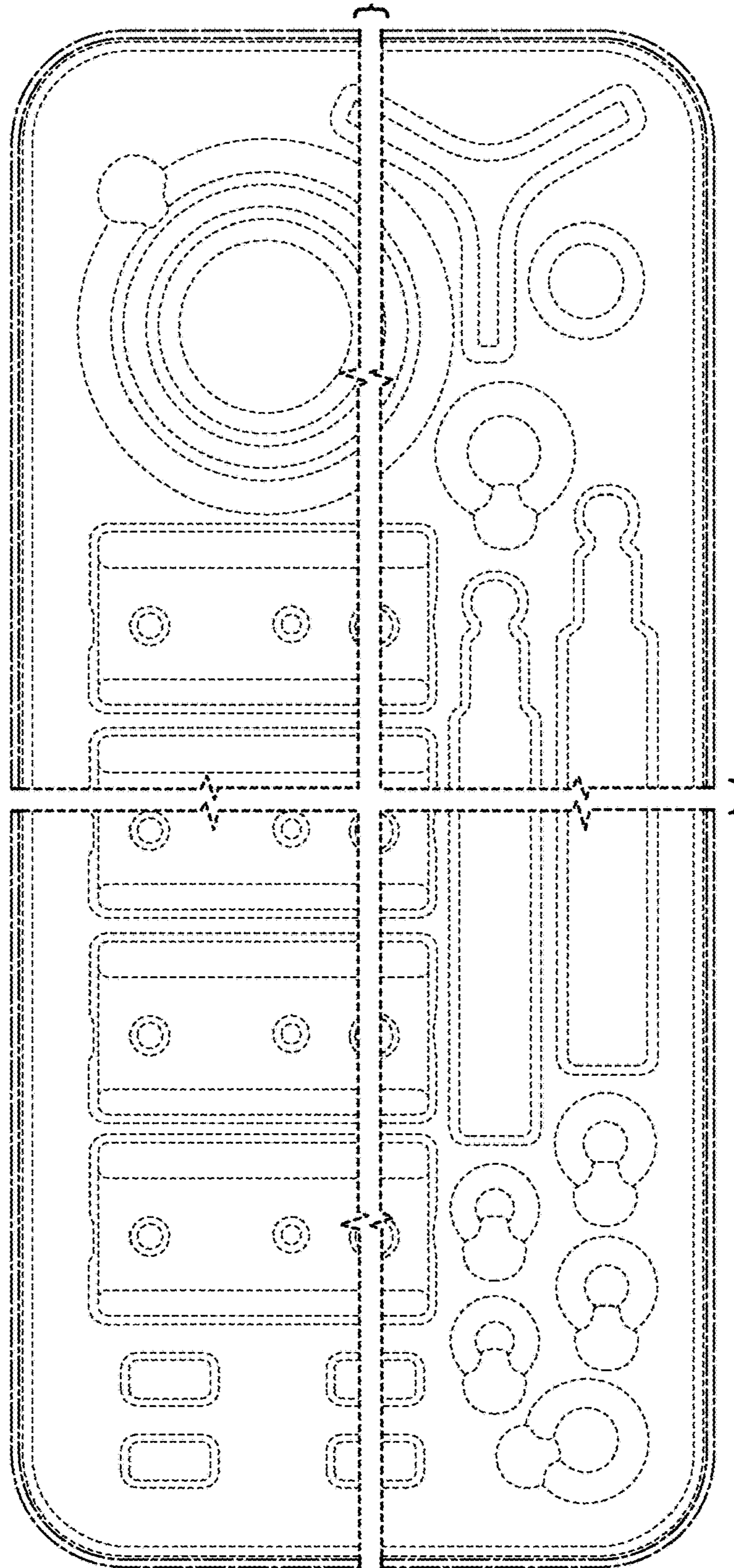


FIG. 3

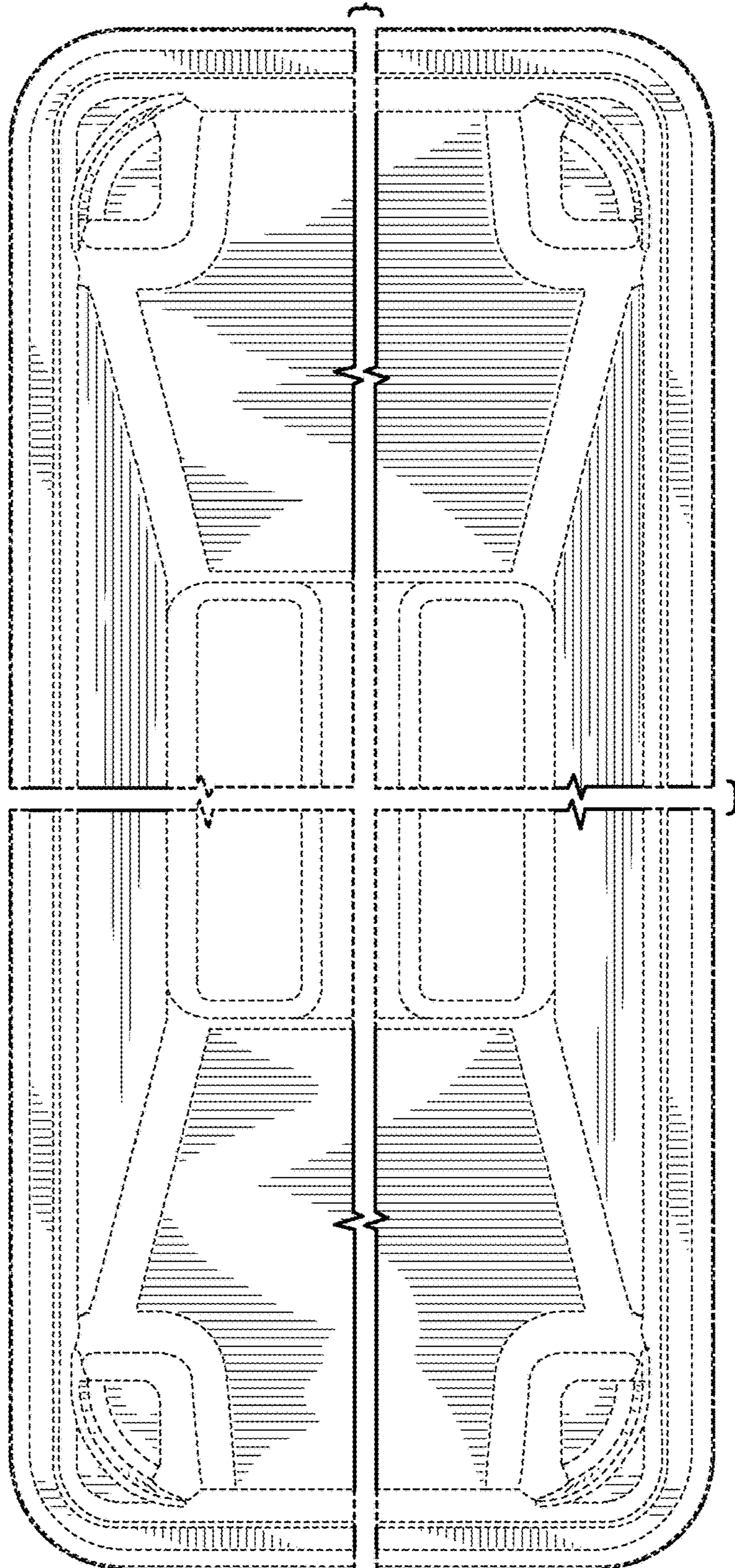


FIG. 4

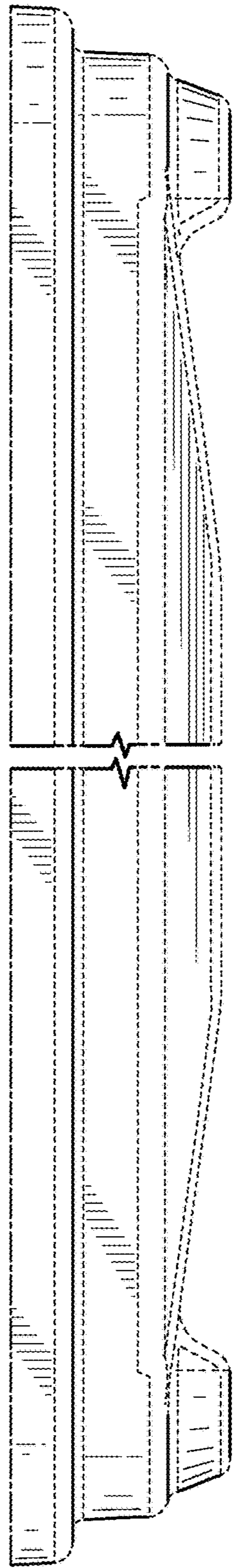


FIG. 5

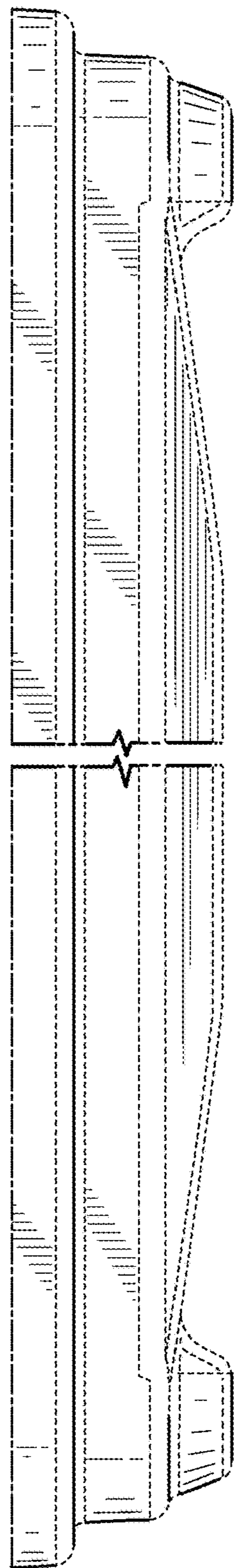
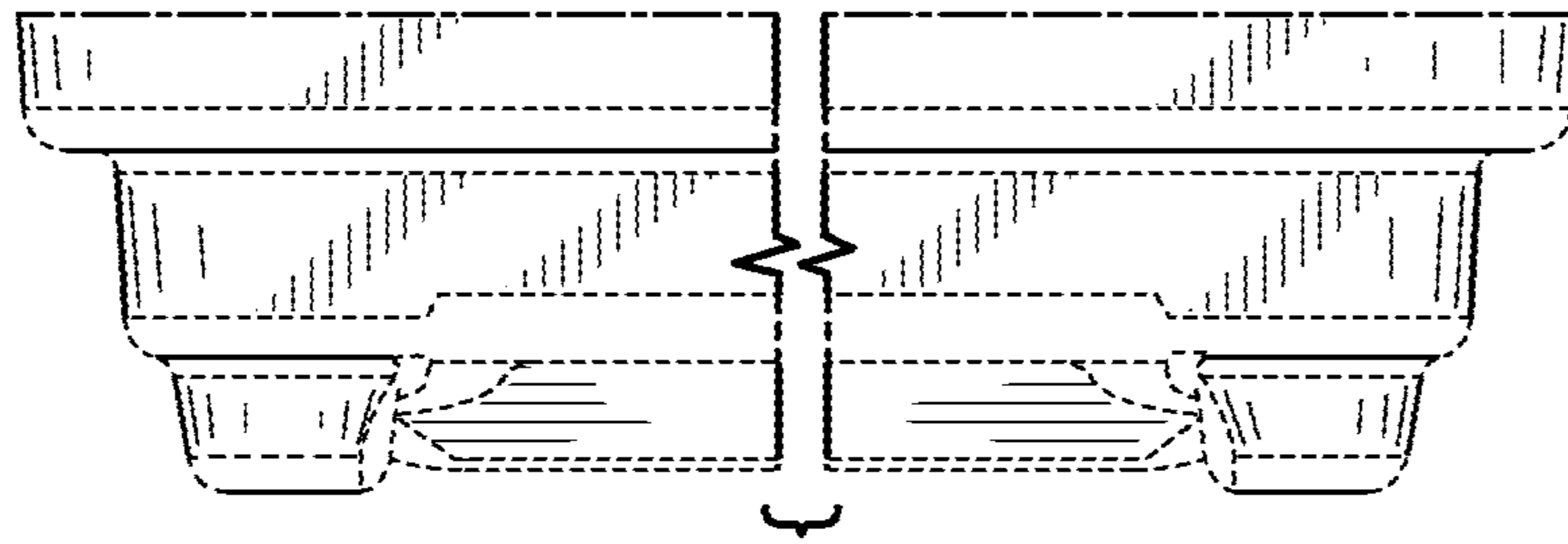
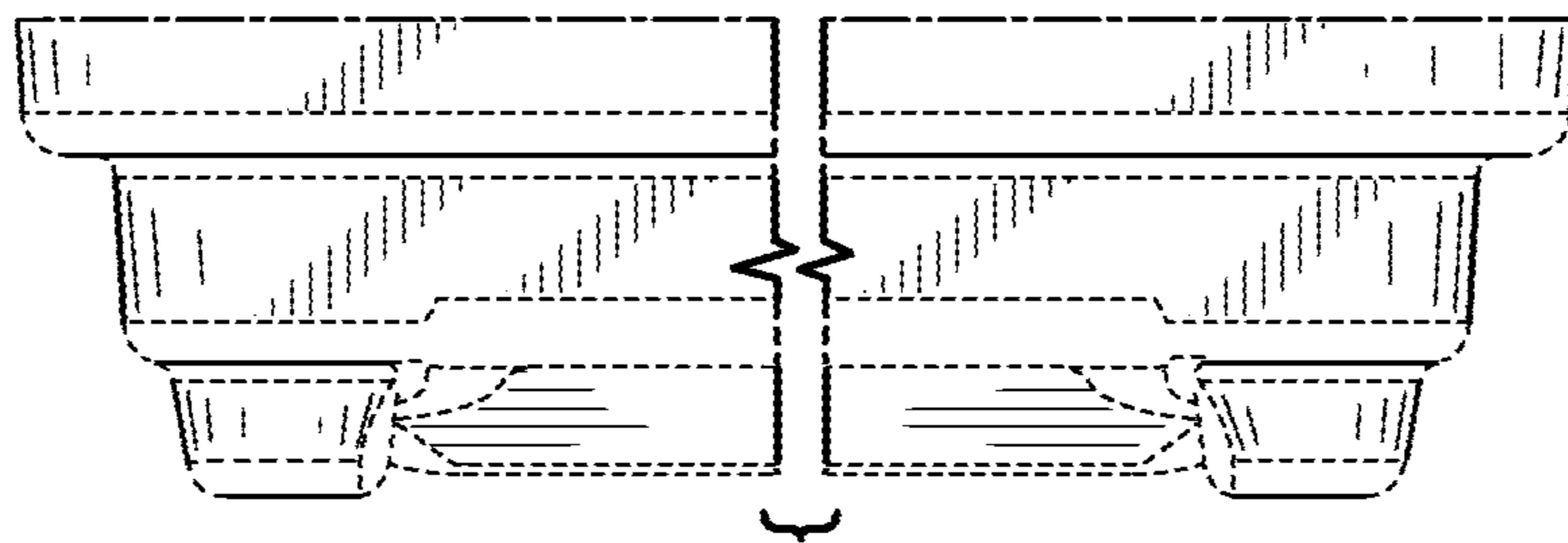


FIG. 6



**FIG. 7**



**FIG. 8**