



US00D834363S

(12) **United States Design Patent**  
**Dash et al.**

(10) **Patent No.:** **US D834,363 S**

(45) **Date of Patent:** **\*\* Nov. 27, 2018**

(54) **BEVERAGE PRODUCTION AND DISPENSING APPARATUS**

(71) Applicant: **StoreBound**, New York, NY (US)

(72) Inventors: **Evan Dash**, Port Washington, NY (US);  
**Yiyang Zhang**, Brooklyn, NY (US)

(73) Assignee: **StoreBound LLC**

(\*\*) Term: **15 Years**

(21) Appl. No.: **29/598,586**

(22) Filed: **Mar. 27, 2017**

(51) **LOC (11) Cl.** ..... **07-01**

(52) **U.S. Cl.**  
USPC ..... **D7/319**

(58) **Field of Classification Search**  
USPC ..... D7/316–321, 378, 384, 598, 600, 619.1,  
D7/622; D9/544, 545, 548, 549  
CPC ..... A47J 31/00; A47J 27/21; A47J 27/21008;  
A47J 27/21041; A47G 19/22  
See application file for complete search history.

(56) **References Cited**

U.S. PATENT DOCUMENTS

D283,778 S	5/1986	Jack	
D356,713 S *	3/1995	Groover	D7/306
D450,214 S *	11/2001	Woebcke	D7/306
D479,087 S	9/2003	Yao	
D502,043 S	2/2005	Lin	
D503,064 S	3/2005	Since	
7,578,230 B2 *	8/2009	Rahn	A47J 31/36 99/281
D599,159 S *	9/2009	Stein	D7/306

D606,356 S *	12/2009	Uylings	D7/308
D677,100 S *	3/2013	Amundson	D7/301
D683,174 S *	5/2013	Regamey	D7/306
D727,083 S *	4/2015	Dorr	D7/306
D740,064 S *	10/2015	Katz	D7/309
D742,161 S	11/2015	Manly et al.	
D769,045 S *	10/2016	Cha	D7/306
D781,633 S *	3/2017	Cahen	D7/306
9,642,489 B2 *	5/2017	Bhalerao	A47J 31/401

\* cited by examiner

*Primary Examiner* — Daniel Bui

*Assistant Examiner* — Andrew Kerr

(74) *Attorney, Agent, or Firm* — Belles Katz LLC

(57) **CLAIM**

We claim the ornamental design for a beverage production and dispensing apparatus, as shown and described.

**DESCRIPTION**

FIG. 1 is a front top right perspective view of a beverage production and dispensing apparatus in accordance with the present invention;

FIG. 2 is a rear top left perspective view thereof;

FIG. 3 is a rear bottom left perspective view thereof;

FIG. 4 is a front elevation view thereof;

FIG. 5 is a rear elevation view thereof;

FIG. 6 is a left-side elevation view thereof;

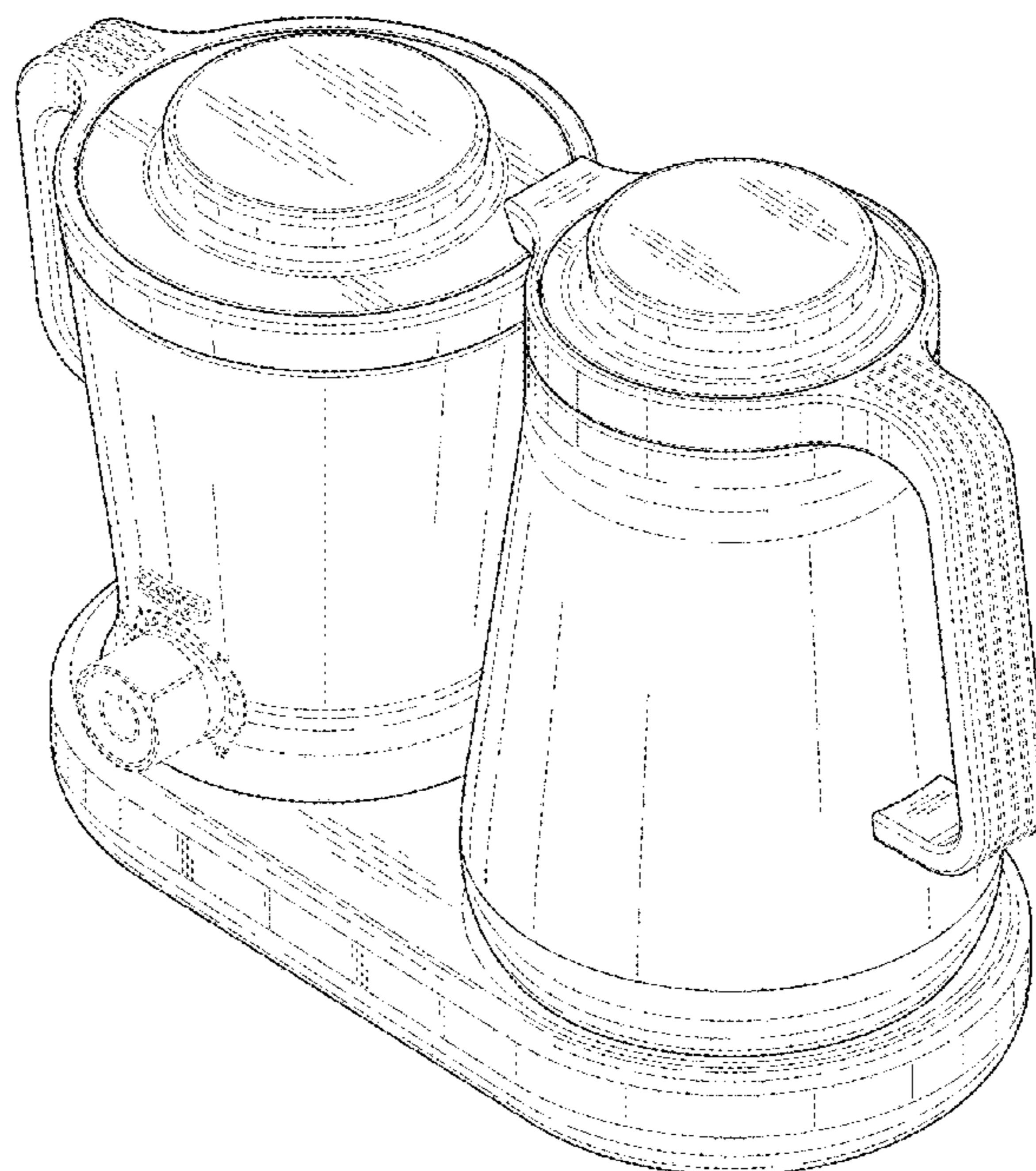
FIG. 7 is a right-side elevation view thereof;

FIG. 8 is a top plan view thereof; and,

FIG. 9 is a bottom plan view thereof.

The broken lines showing portions of the beverage production and dispensing apparatus are for the purpose of illustrating environmental structure only and form no part of the claimed design.

**1 Claim, 9 Drawing Sheets**



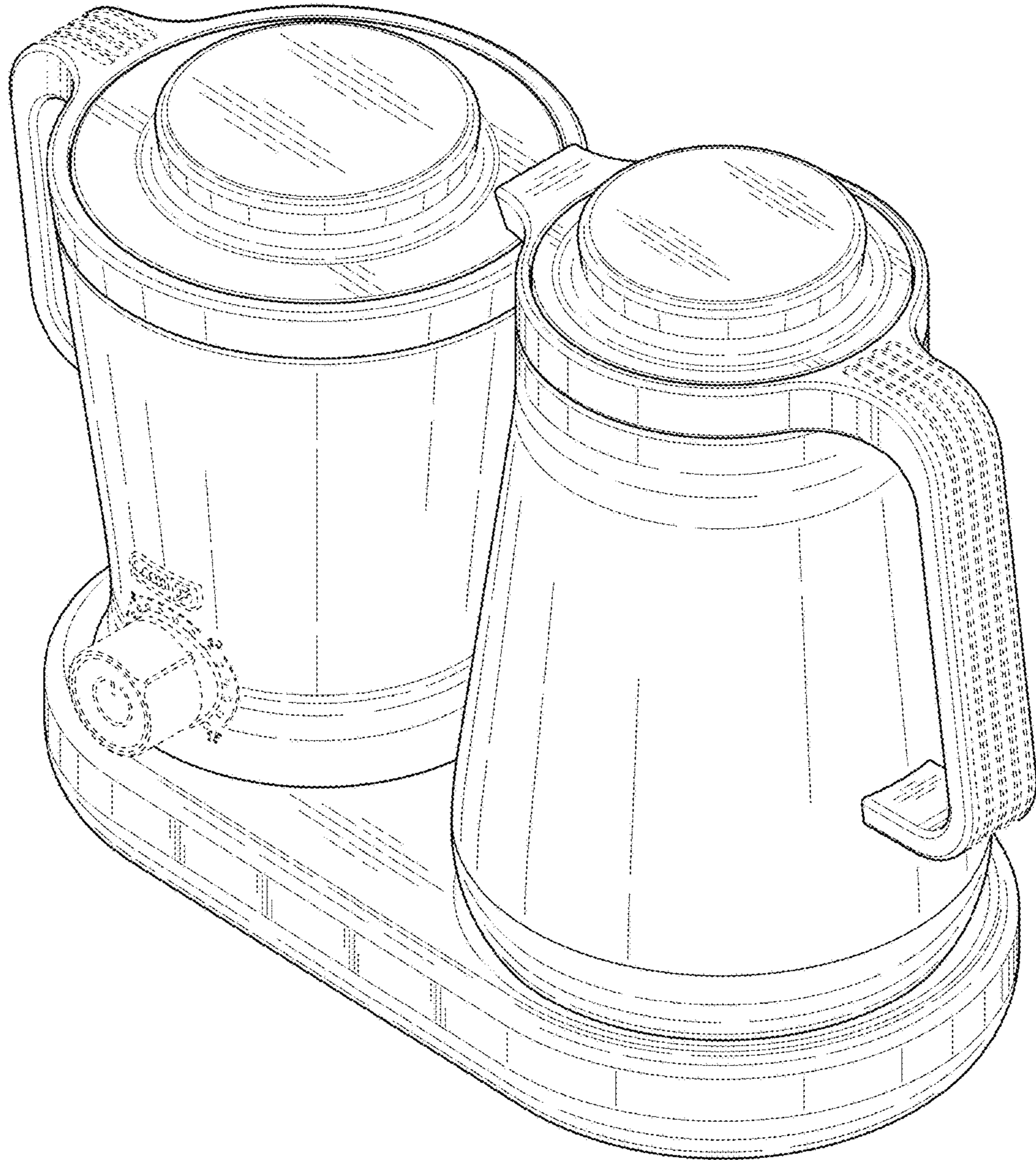


FIG. 1

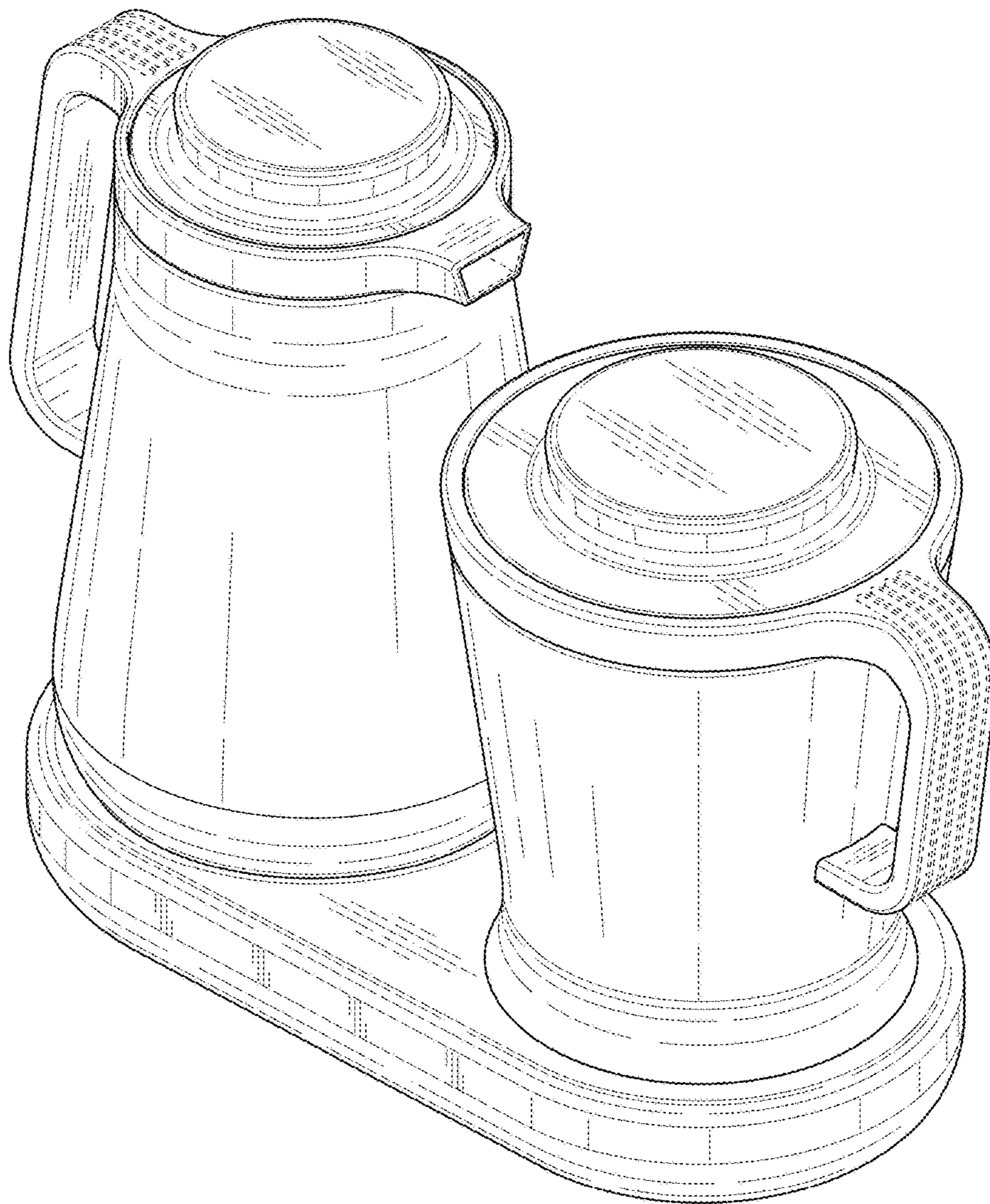


FIG. 2

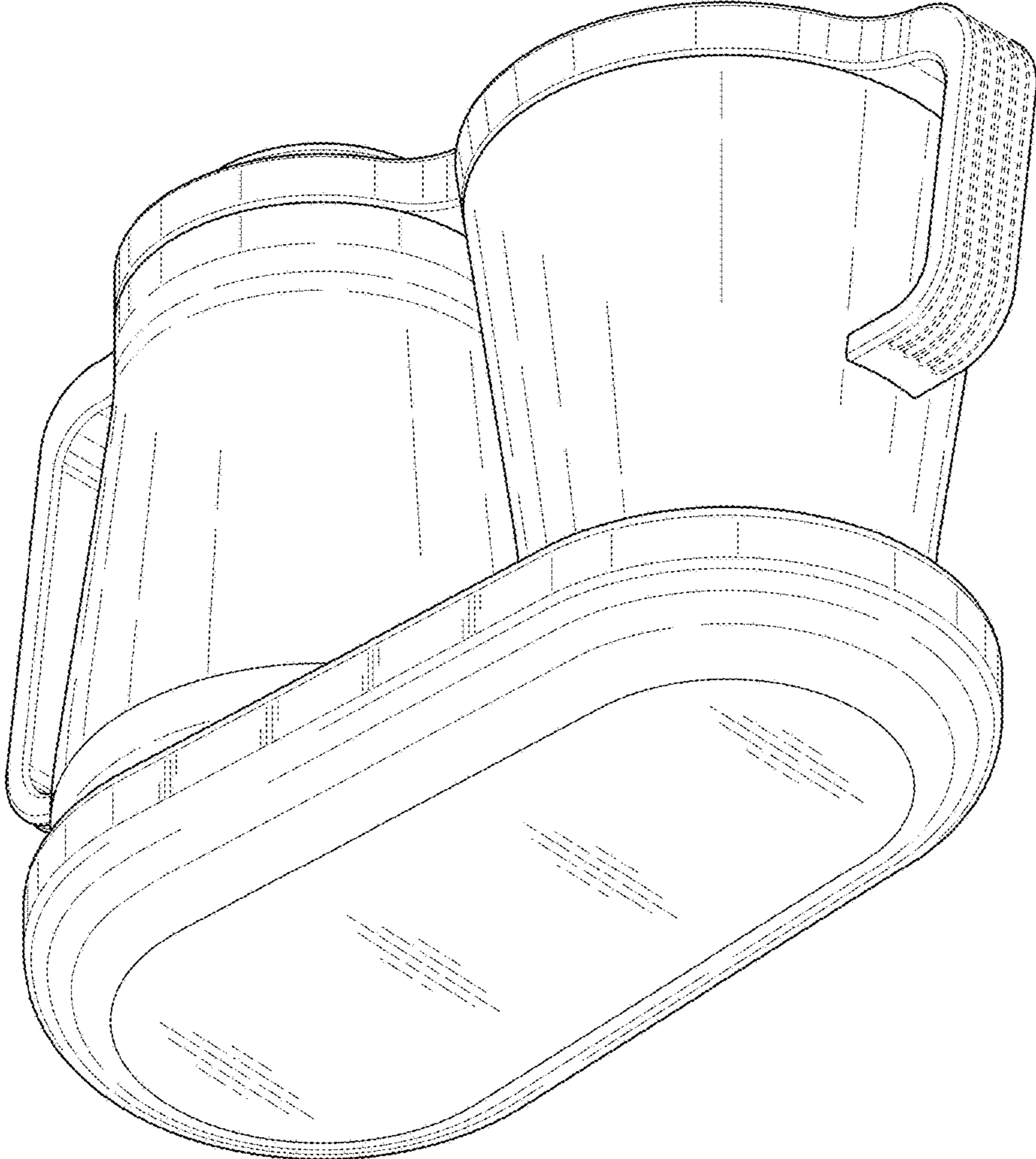


FIG. 3

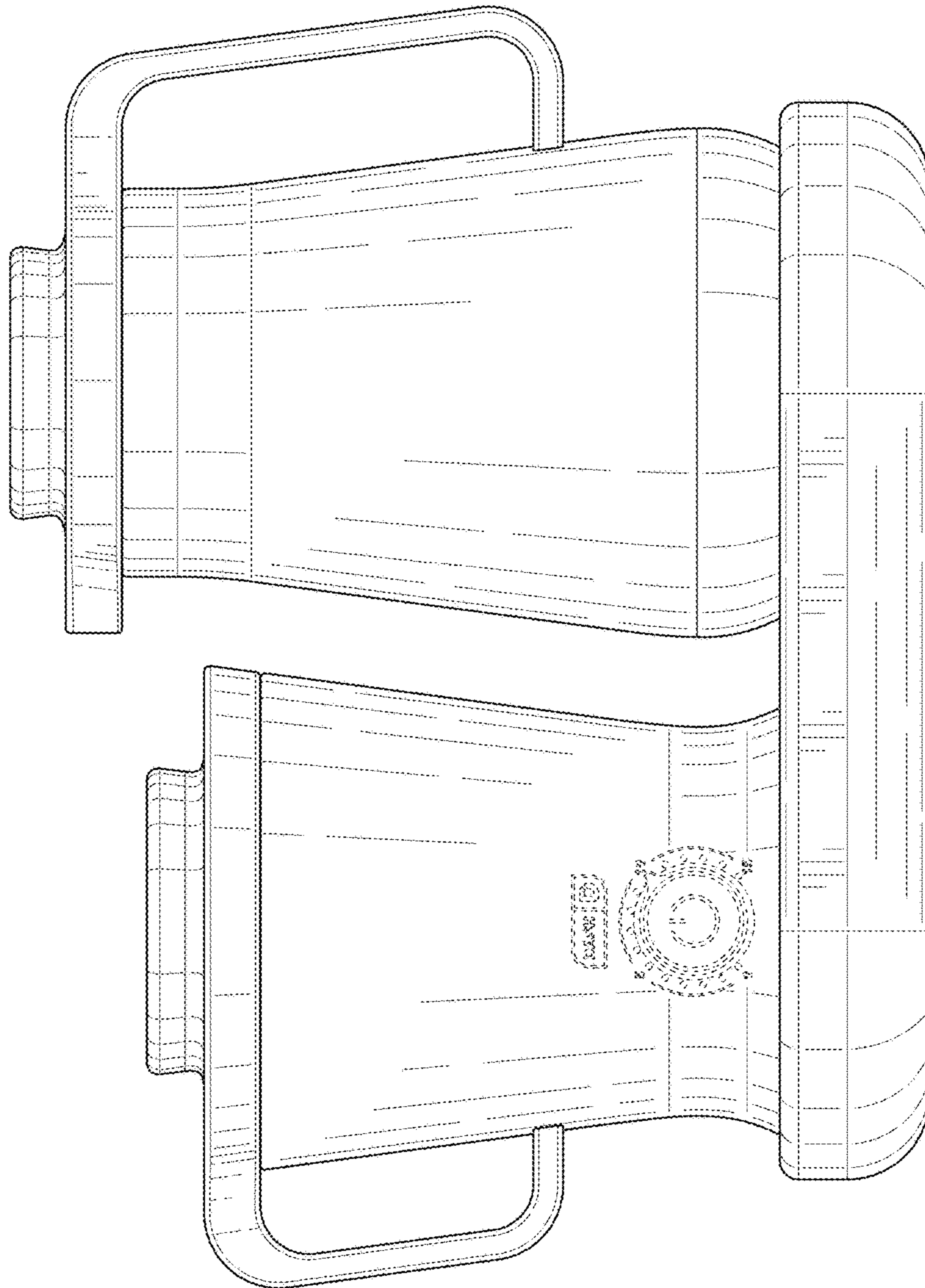


FIG. 4

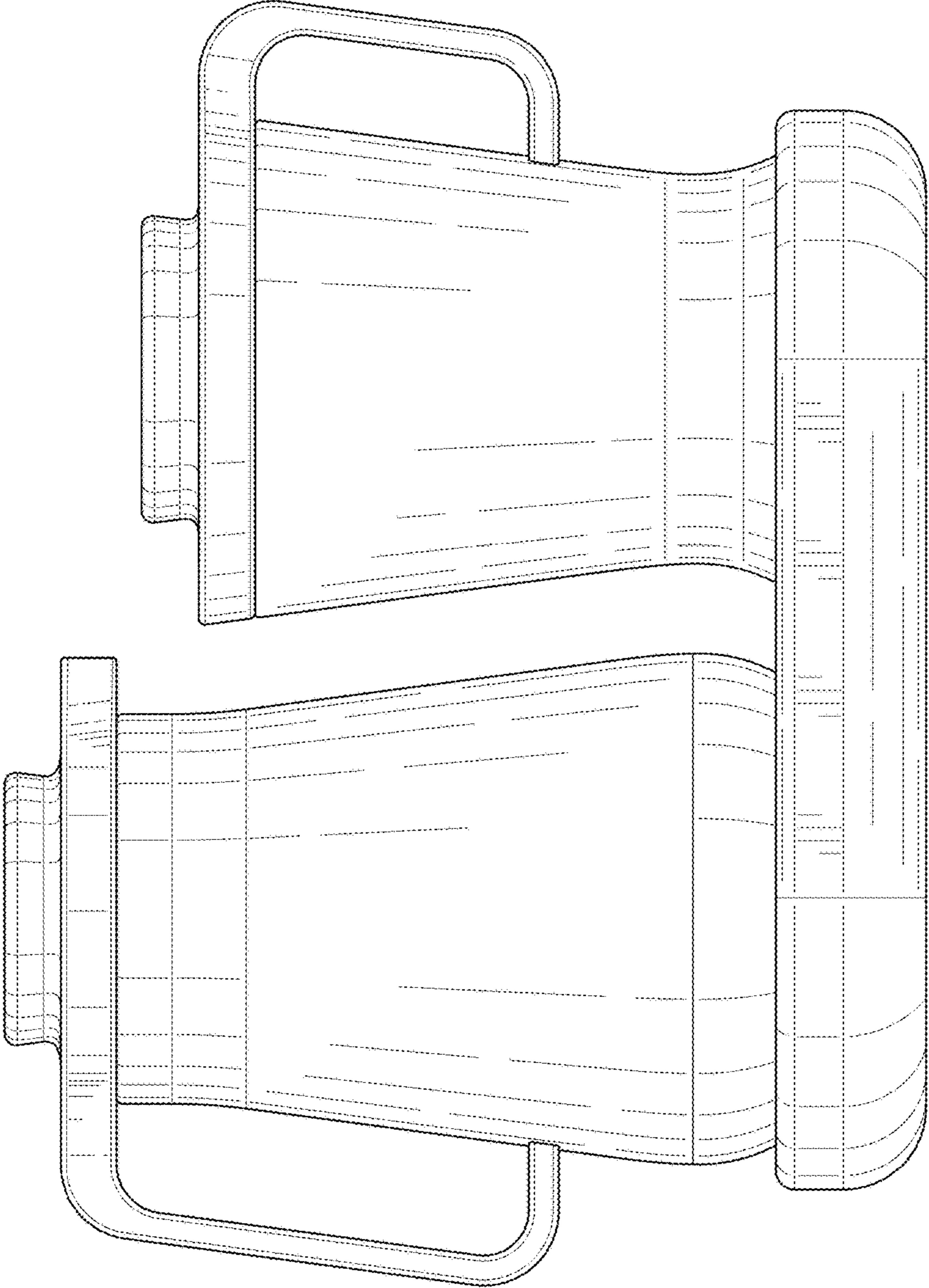


FIG. 5

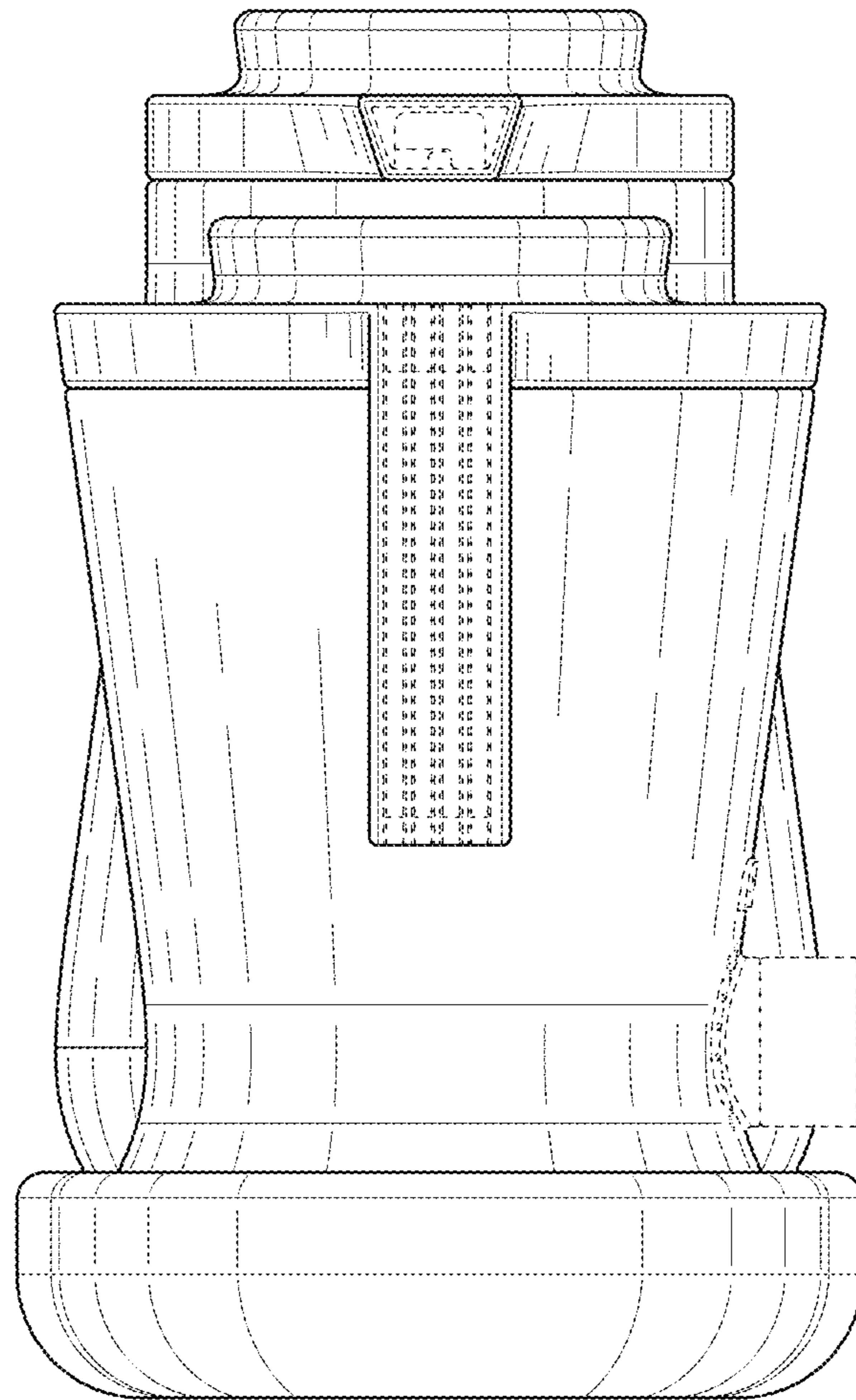


FIG. 6

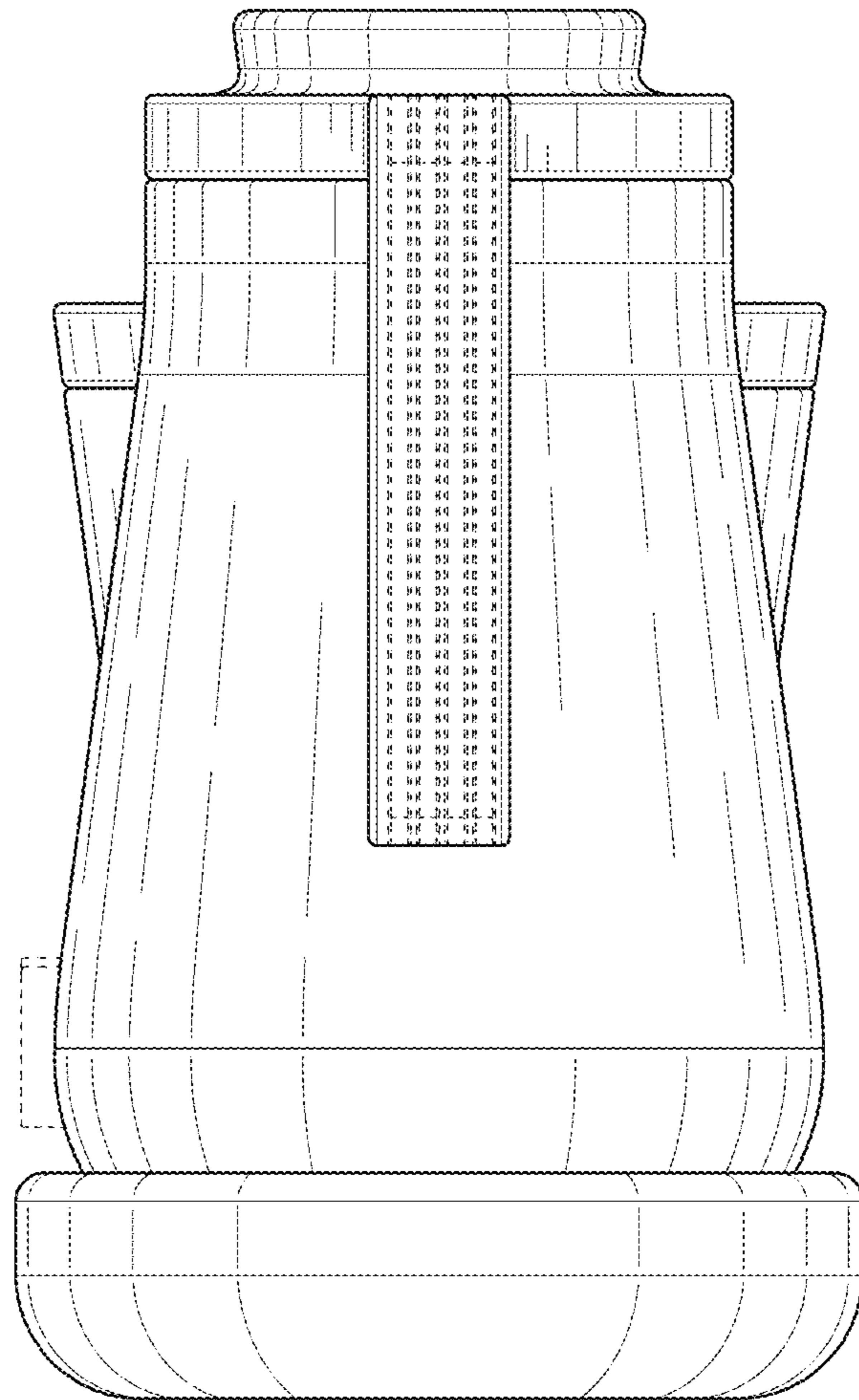


FIG. 7



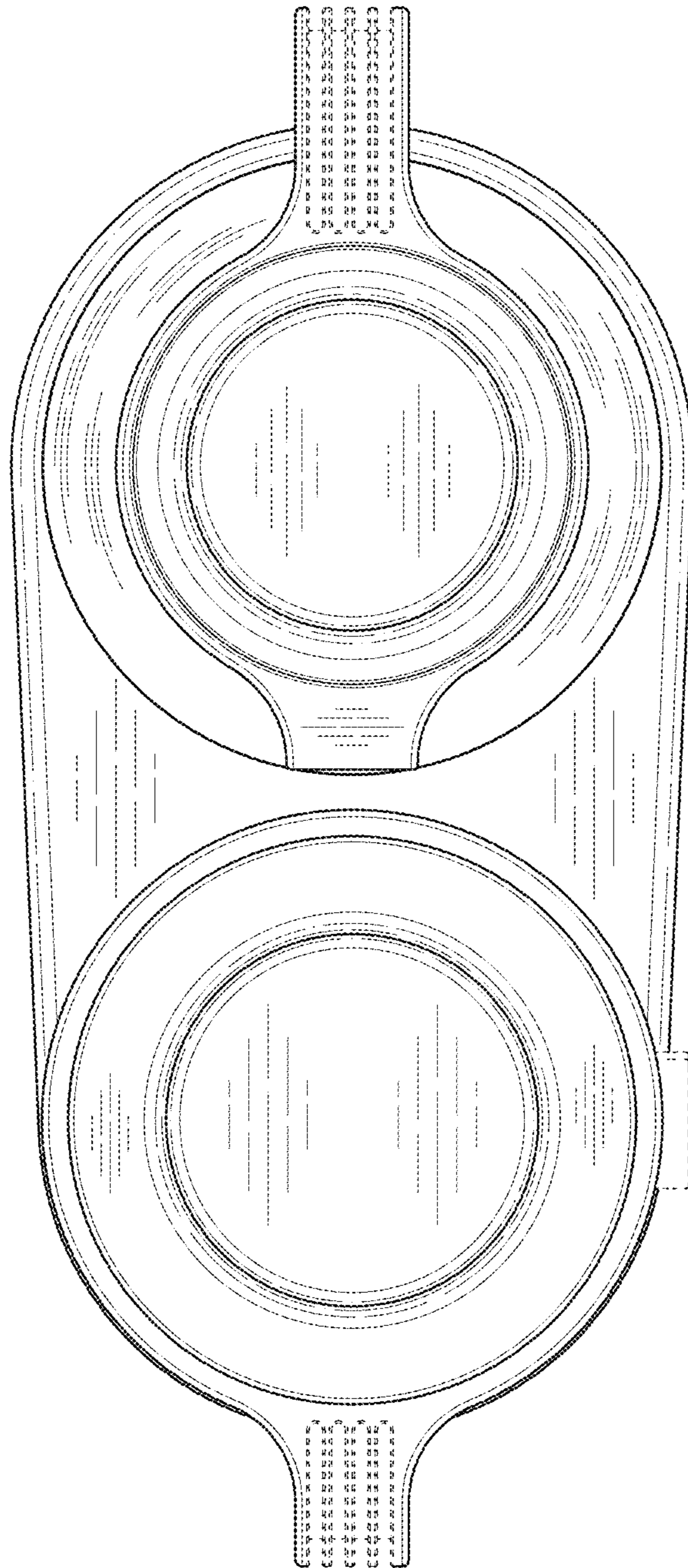


FIG. 8

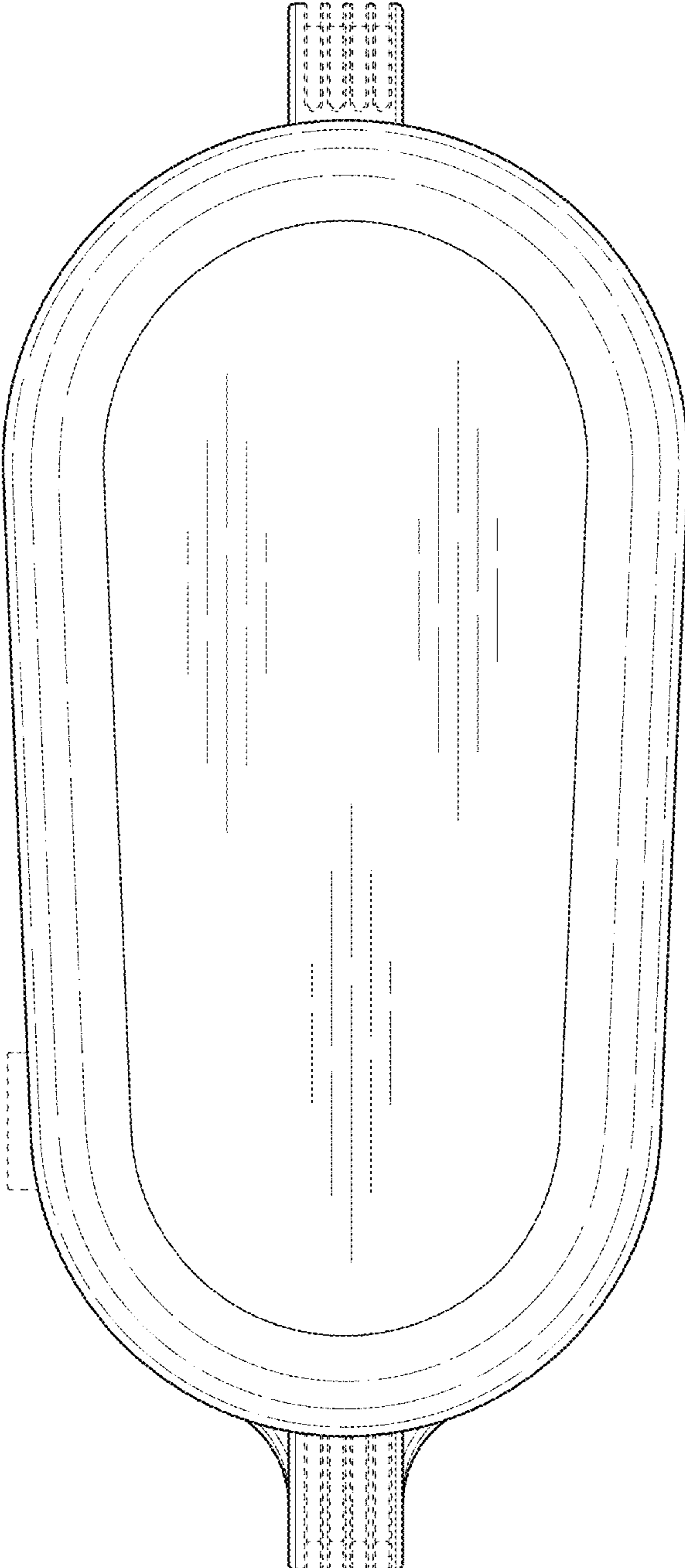


FIG. 9